



US00D378234S

**United States Patent** [19]  
**Sanichar**

[11] **Patent Number: Des. 378,234**

[45] **Date of Patent: \*\*Feb. 25, 1997**

[54] **TONGUE CLEANSER**

FOREIGN PATENT DOCUMENTS

[76] Inventor: **Elvin Sanichar**, 157 Beacon Ave.,  
Jersey City, N.J. 07036

0083043 11/1919 Switzerland ..... 606/161

[\*\*] Term: **14 Years**

*Primary Examiner*—Louis S. Zarfaz  
*Assistant Examiner*—I. Simmons  
*Attorney, Agent, or Firm*—Charles I. Brodsky

[21] Appl. No.: **55,146**

[57] **CLAIM**

[22] Filed: **May 30, 1996**

The ornamental design for a tongue cleanser, as shown and described.

[52] U.S. Cl. .... **D21/147**

[58] Field of Search ..... D24/147, 133;  
606/161, 160; D7/683, 684, 685, 686, 687

**DESCRIPTION**

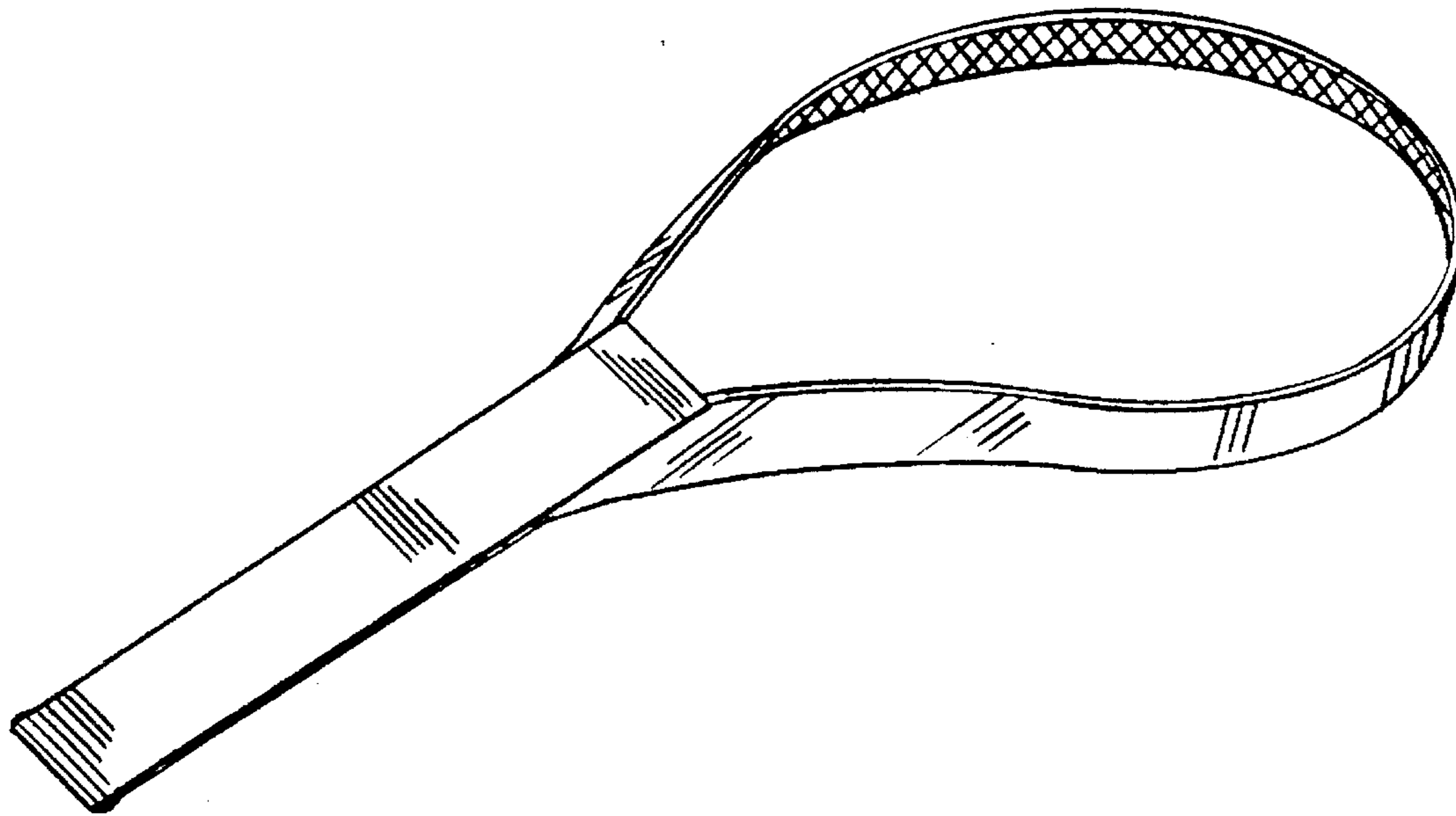
[56] **References Cited**

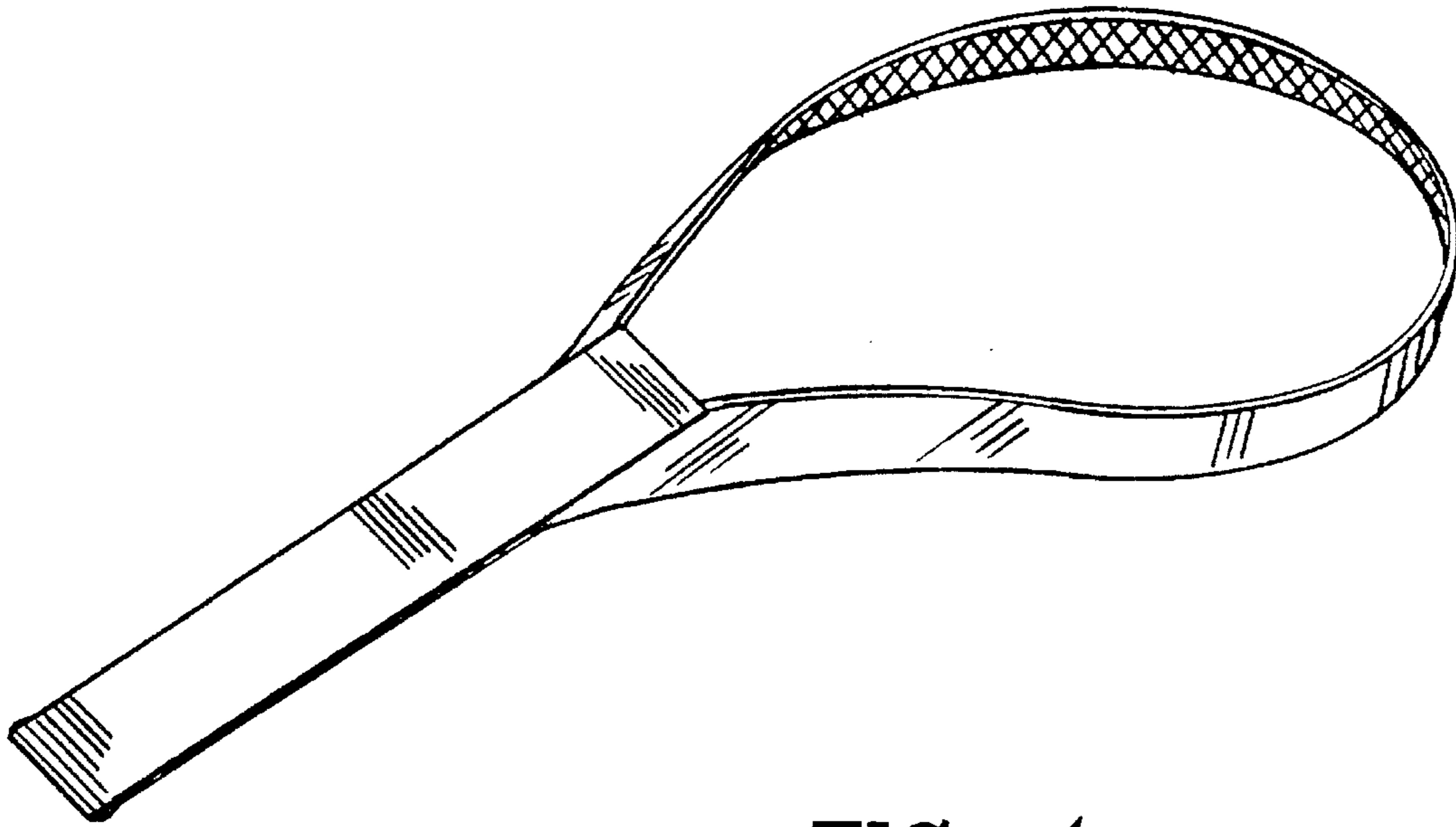
FIG. 1 is a perspective view of a tongue cleanser showing my new design;  
FIG. 2 is a front elevation view thereof;  
FIG. 3 is a rear elevation view;  
FIG. 4 is a right side elevation view, a left side elevation view being a mirror image;  
FIG. 5 is a top plan view showing my new design; and,  
FIG. 6 is a bottom plan view.

**U.S. PATENT DOCUMENTS**

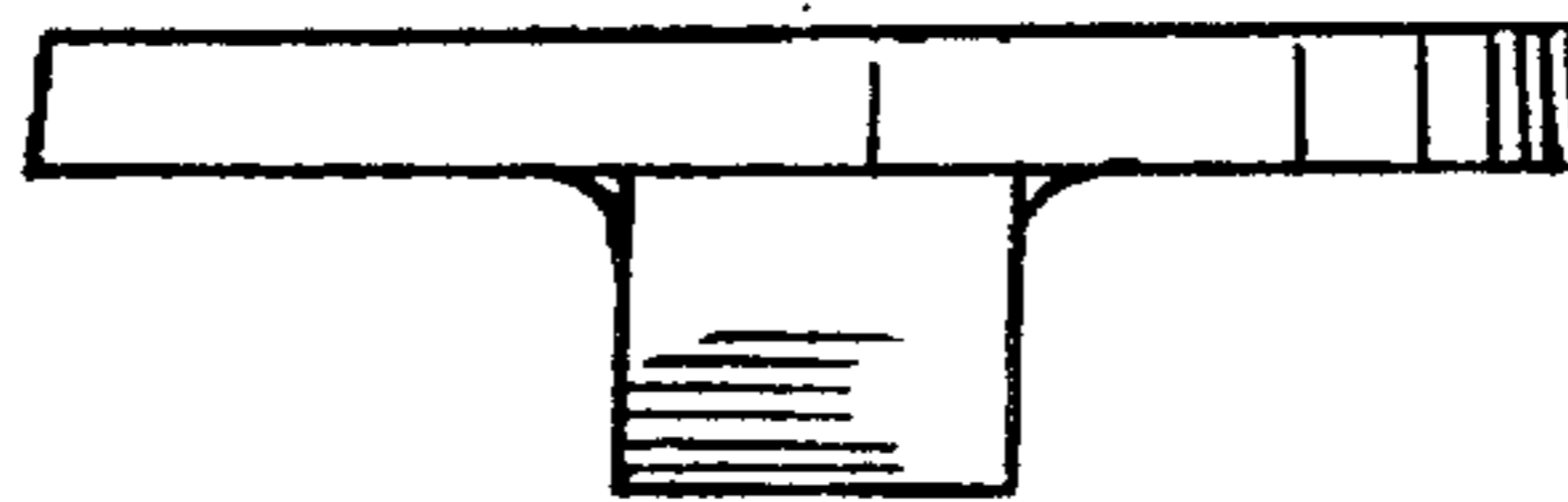
D. 253,789	12/1979	Gupta	.....	D24/147
D. 301,372	5/1984	Tsen	.....	D24/147
D. 326,324	5/1992	Iida	.....	D24/147
856,711	6/1907	Lees	.....	606/161
1,701,616	2/1929	Gross	.....	606/161
3,890,964	6/1975	Castanedo	.....	606/161
5,217,475	6/1993	Kuber	.....	606/161

**1 Claim, 2 Drawing Sheets**





*FIG. 1*



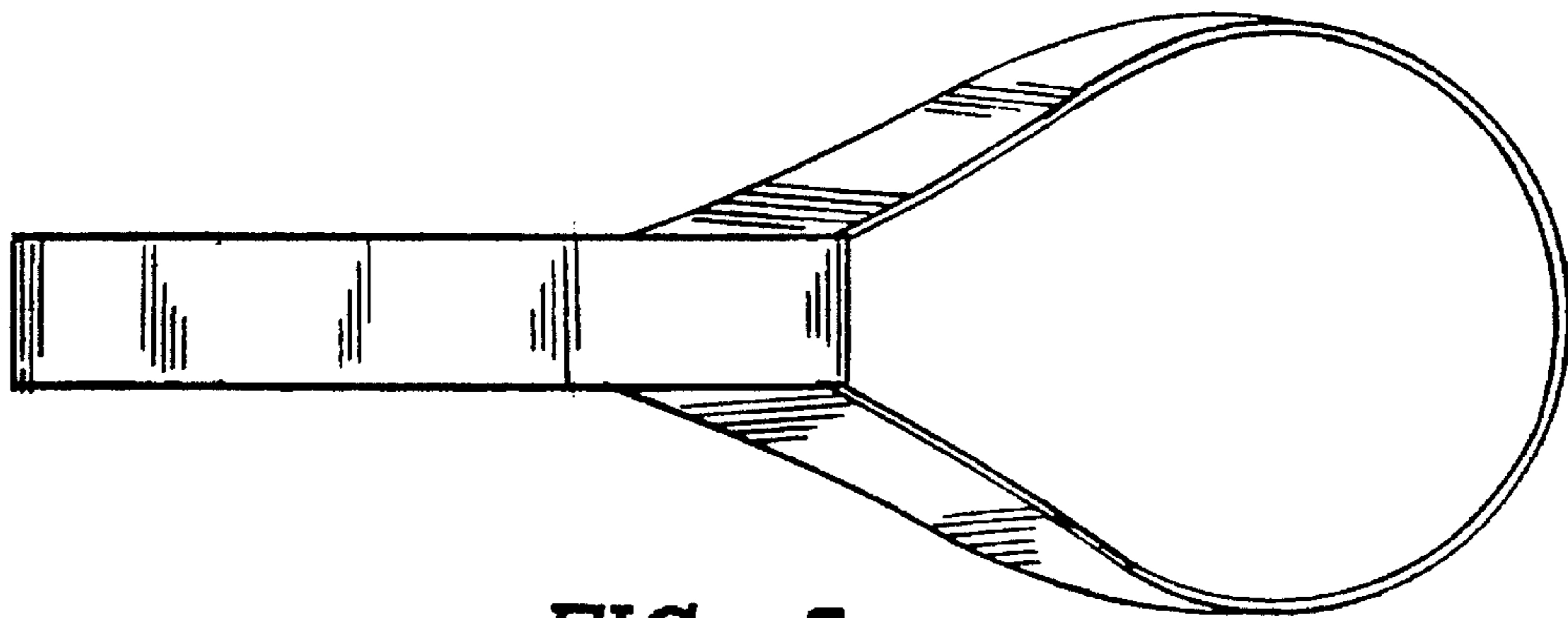
*FIG. 2*



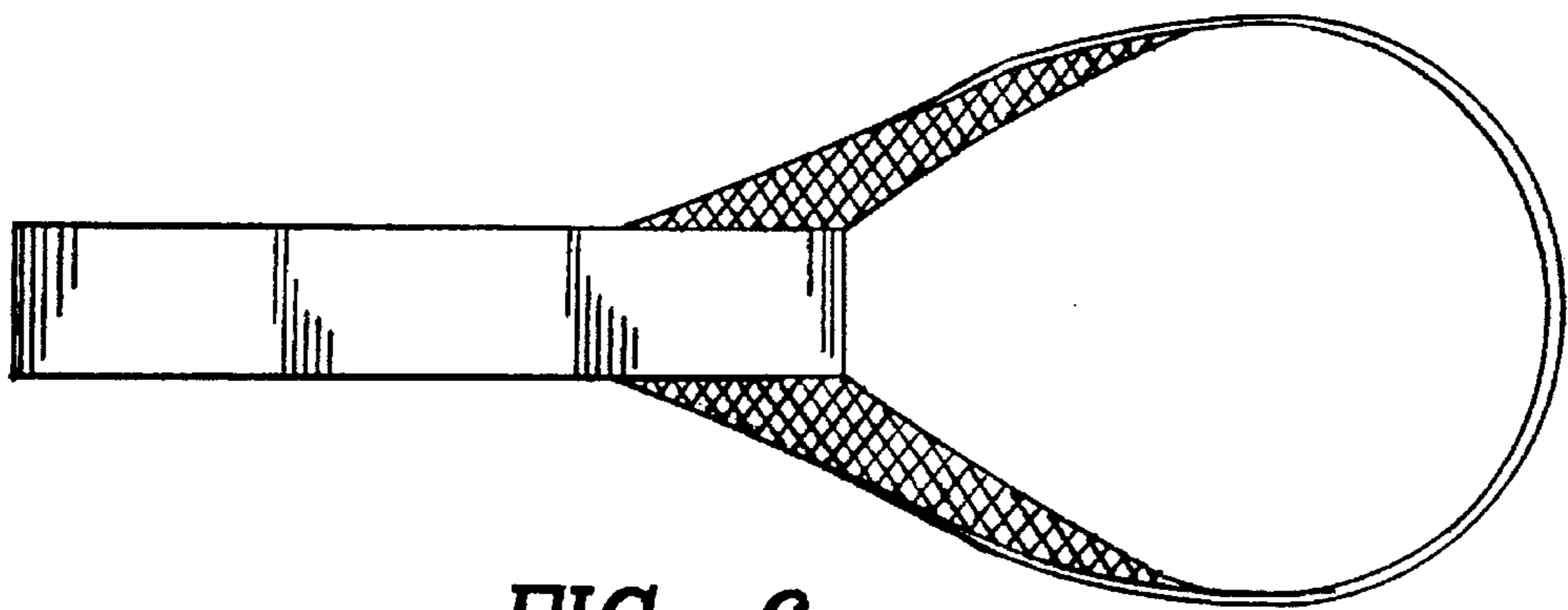
*FIG. 3*



*FIG. 4*



*FIG. 5*



*FIG. 6*