



US00D378233S

# United States Patent [19]

Warner

[11] Patent Number: **Des. 378,233**

[45] Date of Patent: **\*\*Feb. 25, 1997**

[54] **STYLET HOLDER**

[75] Inventor: **Henry A. Warner**, Lake Forest, Ill.

[73] Assignee: **BioSafe Diagnostics Corporation**,  
Lincolnshire, Ill.

[\*\*] Term: **14 Years**

5,014,718	5/1991	Mitchen .	
5,035,704	7/1991	Lambert et al. ....	606/182
5,062,836	11/1991	Wendell .....	604/263 X
5,070,886	12/1991	Mitchen et al. .	
5,231,993	8/1993	Haber et al. ....	128/770
5,274,240	12/1993	Mathies et al. .	
5,402,798	4/1995	Swierczek et al. ....	128/770

### FOREIGN PATENT DOCUMENTS

0164148	12/1985	European Pat. Off. ....	A61B 5/14
2909349	9/1980	Germany .	
8504089	9/1985	United Kingdom .....	A61B 5/14

*Primary Examiner*—Louis S. Zafas  
*Assistant Examiner*—I. Simmons  
*Attorney, Agent, or Firm*—Banner & Witcoff, Ltd.

[21] Appl. No.: **47,291**

[22] Filed: **Nov. 8, 1995**

[52] U.S. Cl. .... **D24/130**

[58] Field of Search ..... D24/130, 112,  
D24/129, 140; 604/174, 263, 192, 197,  
192, 193; 606/181, 182, 184

### [56] References Cited

#### U.S. PATENT DOCUMENTS

D. 302,206	7/1989	McAlister et al. ....	D24/130
D. 323,392	1/1992	Byrne .....	D24/130
D. 354,283	1/1995	Rhen, Jr. et al. ....	D24/147
4,230,118	10/1980	Holman .	
4,469,110	9/1984	Slama .....	128/770
4,503,856	3/1985	Cornell et al. .	
4,653,513	3/1987	Dombrowski .	
4,844,098	7/1989	Mitchen .	
4,846,809	7/1989	Sims .....	604/263 X

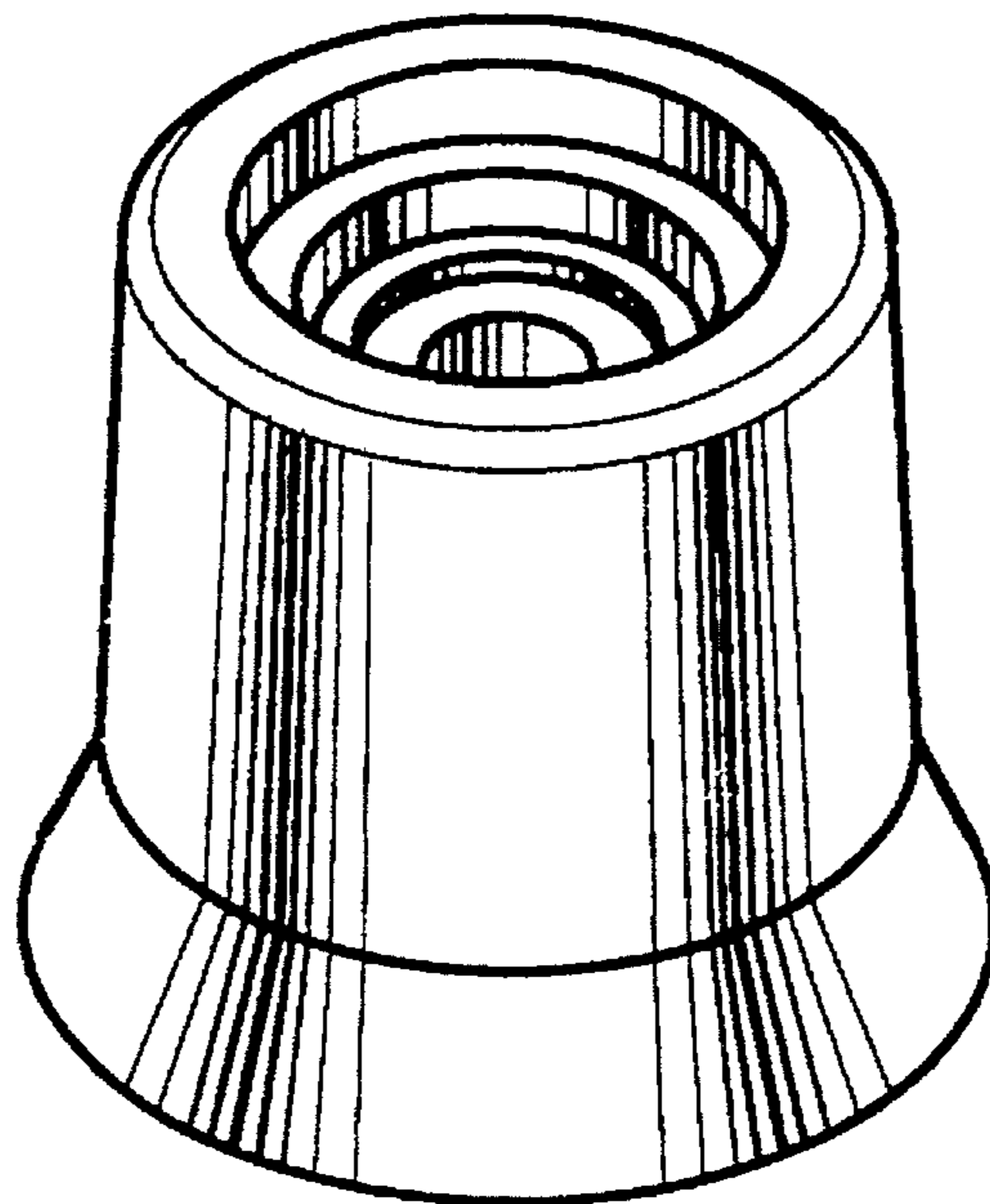
### [57] CLAIM

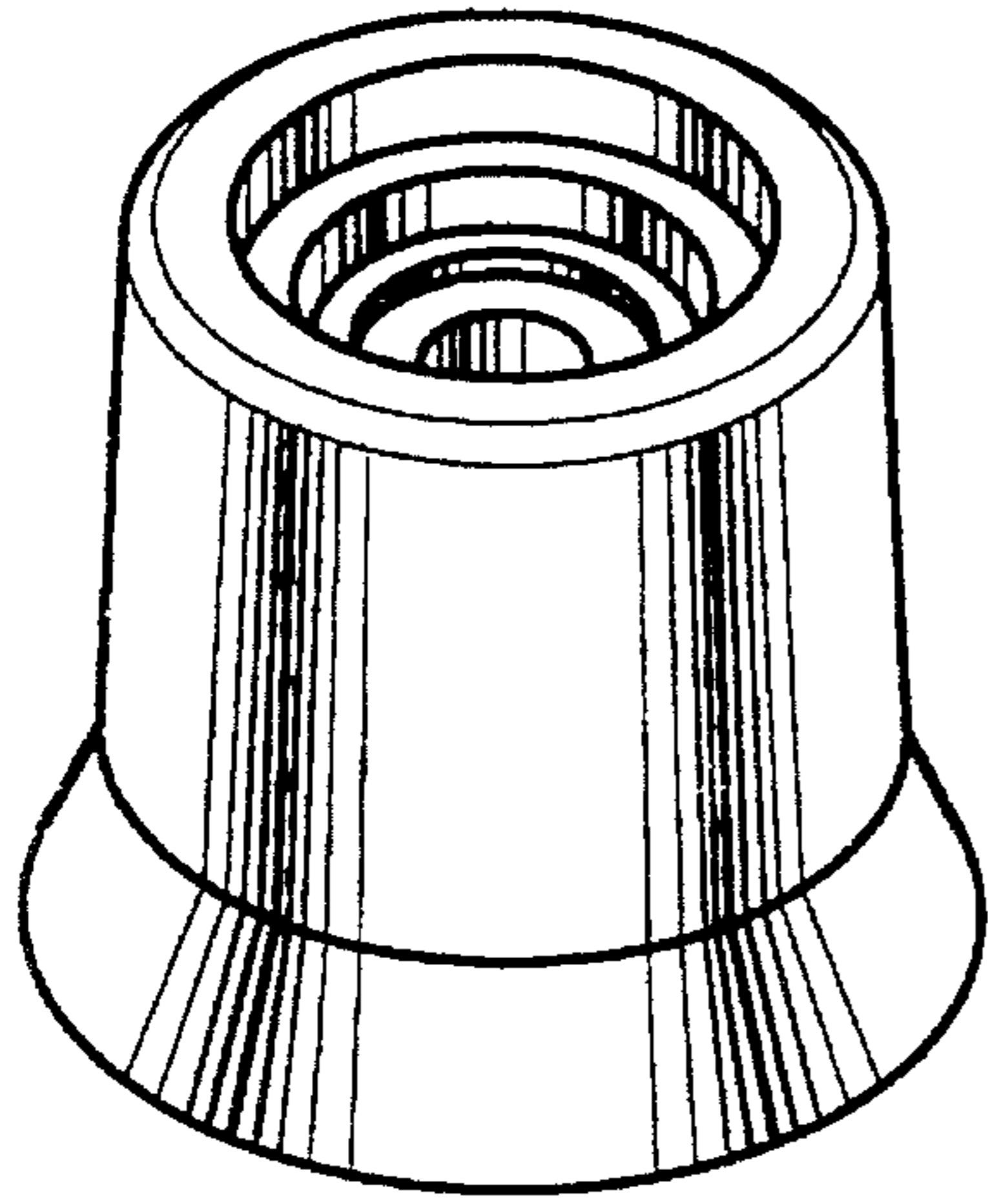
The ornamental design for a stylet holder, as shown.

### DESCRIPTION

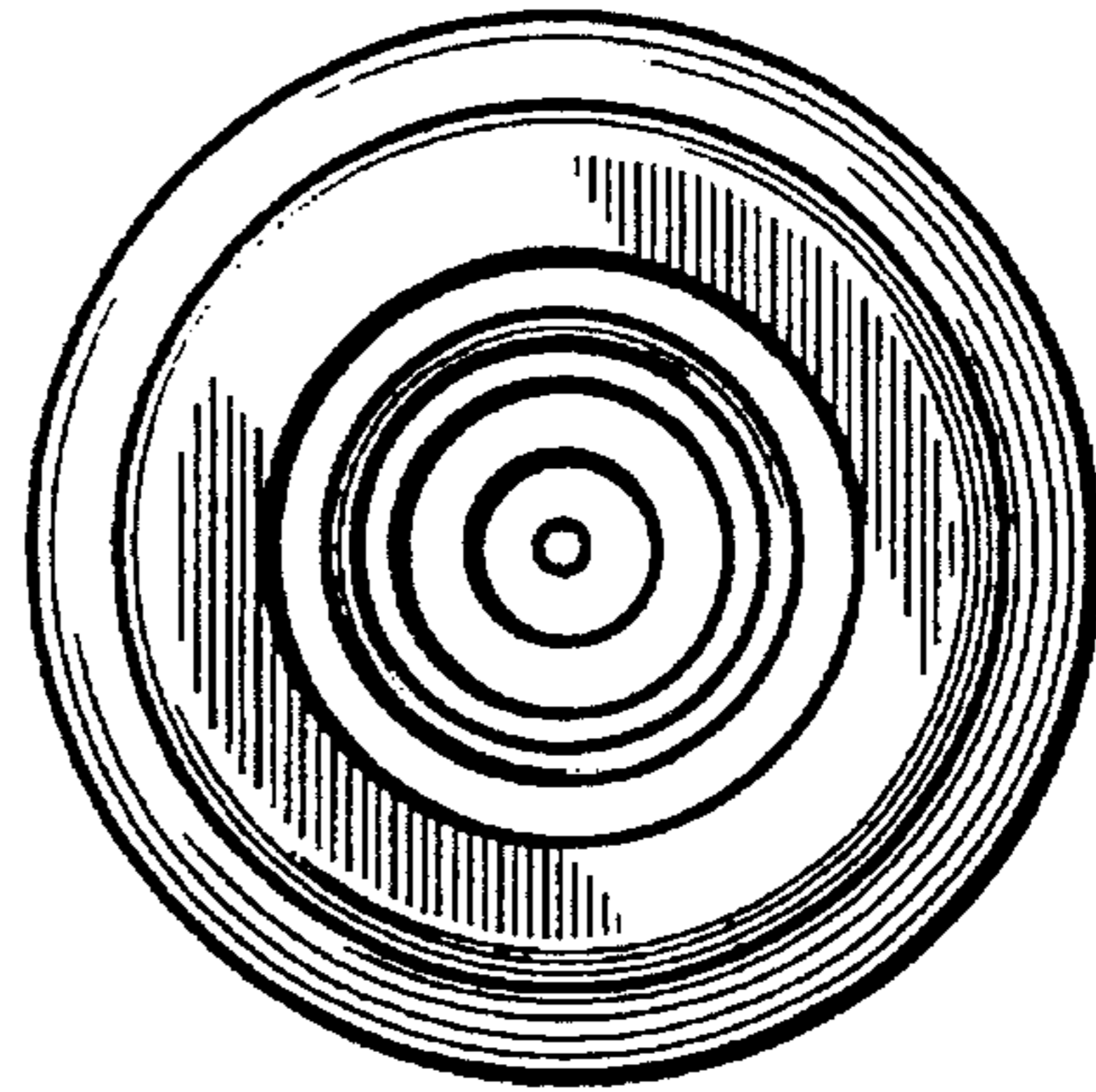
FIG. 1 is a perspective view of a stylet holder showing my new design;  
FIG. 2 is a top plan view thereof;  
FIG. 3 is a side view thereof; and,  
FIG. 4 is a bottom view thereof.

**1 Claim, 1 Drawing Sheet**

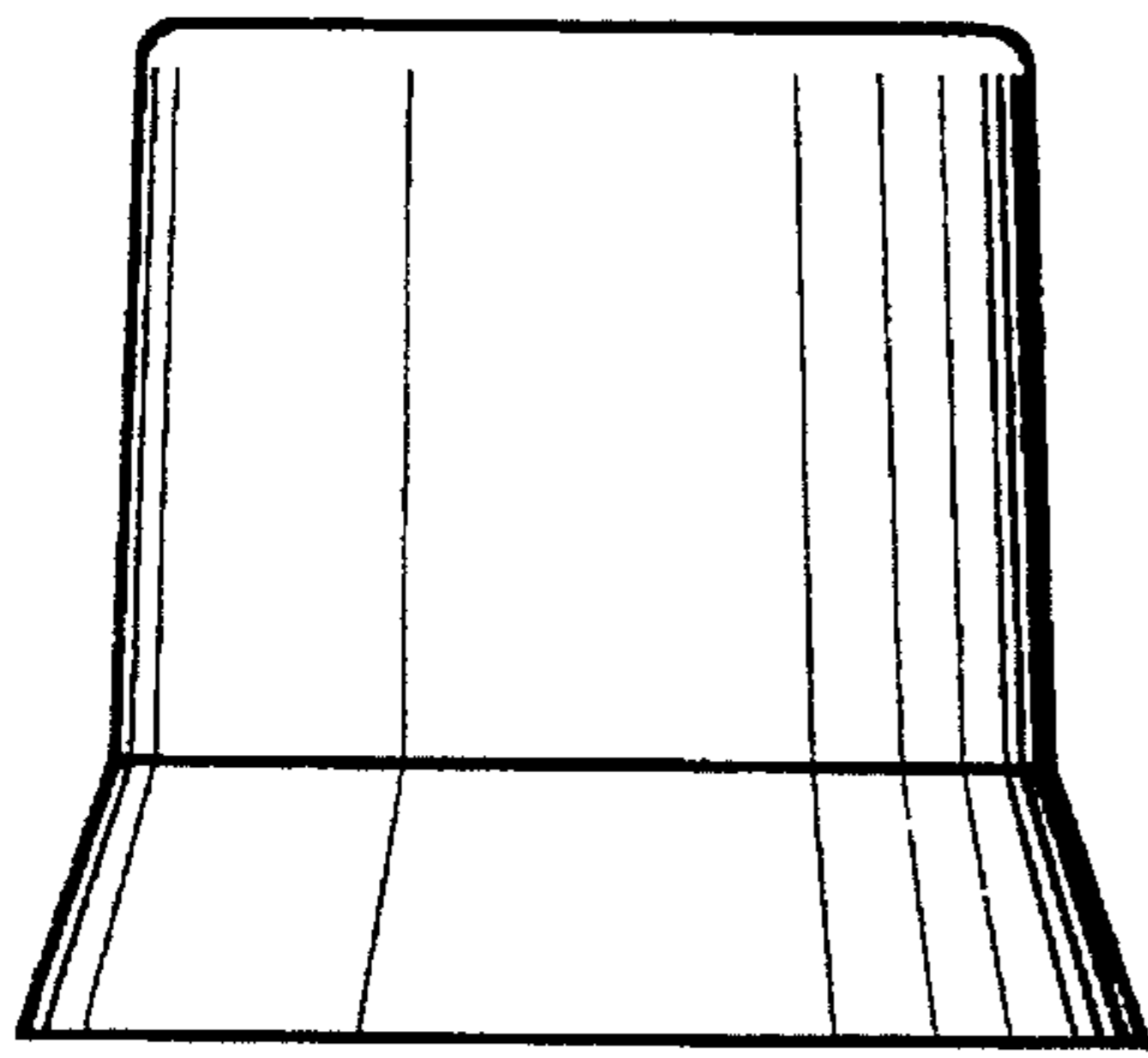




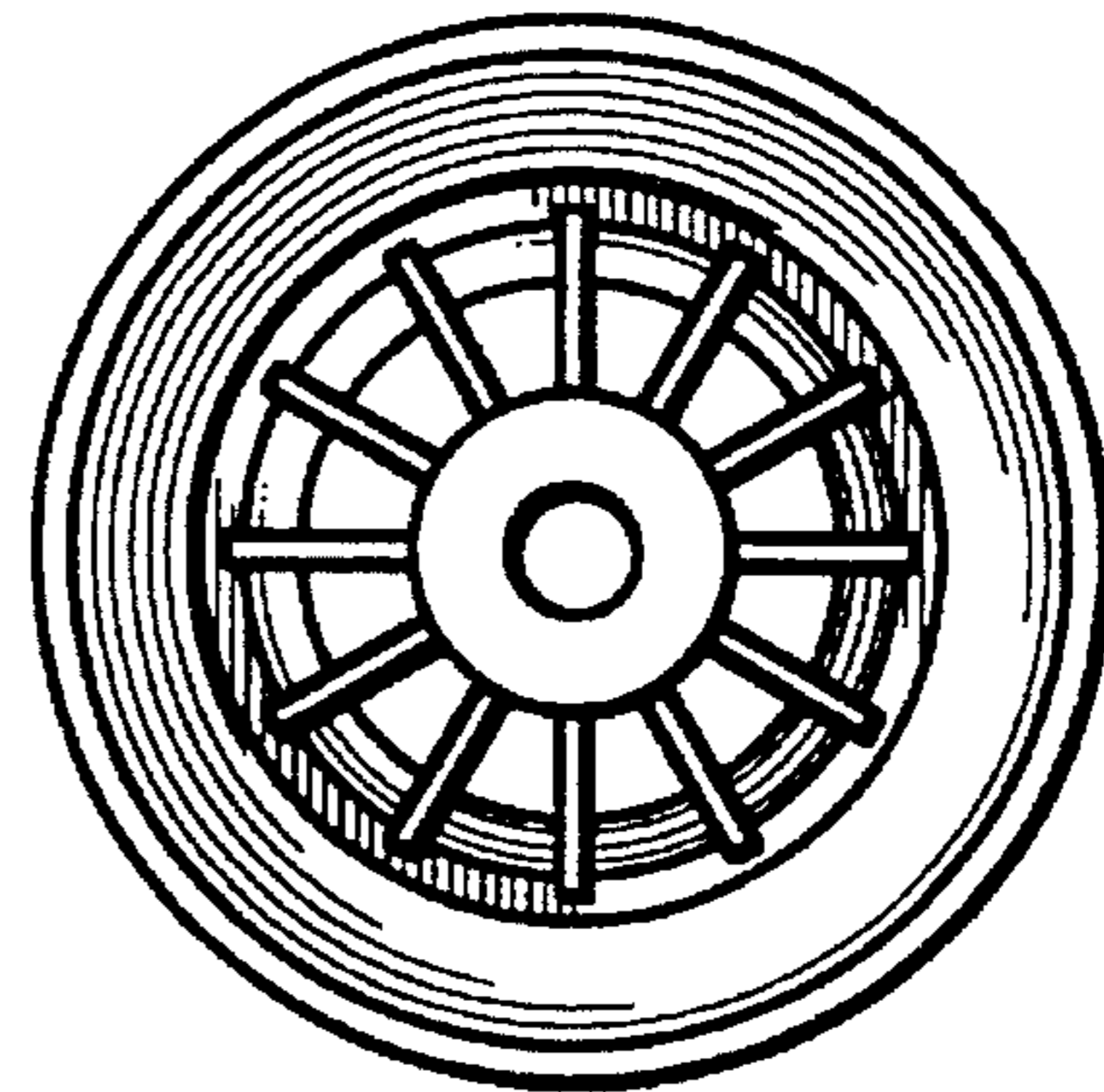
**Fig.1**



**Fig.2**



**Fig.3**



**Fig.4**