



US00D378231S

United States Patent [19]
Dubin

[11] **Patent Number: Des. 378,231**

[45] **Date of Patent: **Feb. 25, 1997**

[54] **KNOBS FOR LAVATORY FAUCETS AND FIXTURES**

[75] Inventor: **Alfred R. Dubin**, Los Angeles, Calif.

[73] Assignee: **Phylrich International**, Los Angeles, Calif.

[**] Term: **14 Years**

[21] Appl. No.: **22,644**

[22] Filed: **May 10, 1994**

[52] **U.S. Cl.** **D23/252**

[58] **Field of Search** **D23/238-243, D23/249-254; 4/675-678; D8/300-312; 16/118, 121, 110 R, 11 R**

[56] **References Cited**

U.S. PATENT DOCUMENTS

- D. 175,819 10/1955 Young D23/252
- D. 290,739 7/1987 Hill et al. D23/252
- D. 292,226 10/1987 Hill et al. D23/252

D. 327,532 6/1992 Ko D23/252

Primary Examiner—Louis S. Zarfes

Assistant Examiner—Eric Watterson

Attorney, Agent, or Firm—Blakely, Sokoloff, Taylor & Zafman

[57] **CLAIM**

The ornamental design for knobs for lavatory faucets and fixtures, as shown and described.

DESCRIPTION

FIG. 1 is a perspective view of a crystal knob set for plumbing faucets showing my new design, it being understood that the broken lines are for illustrative purposes only and forms no part of the claimed invention;

FIG. 2 is a side elevation view of one of the knob set;

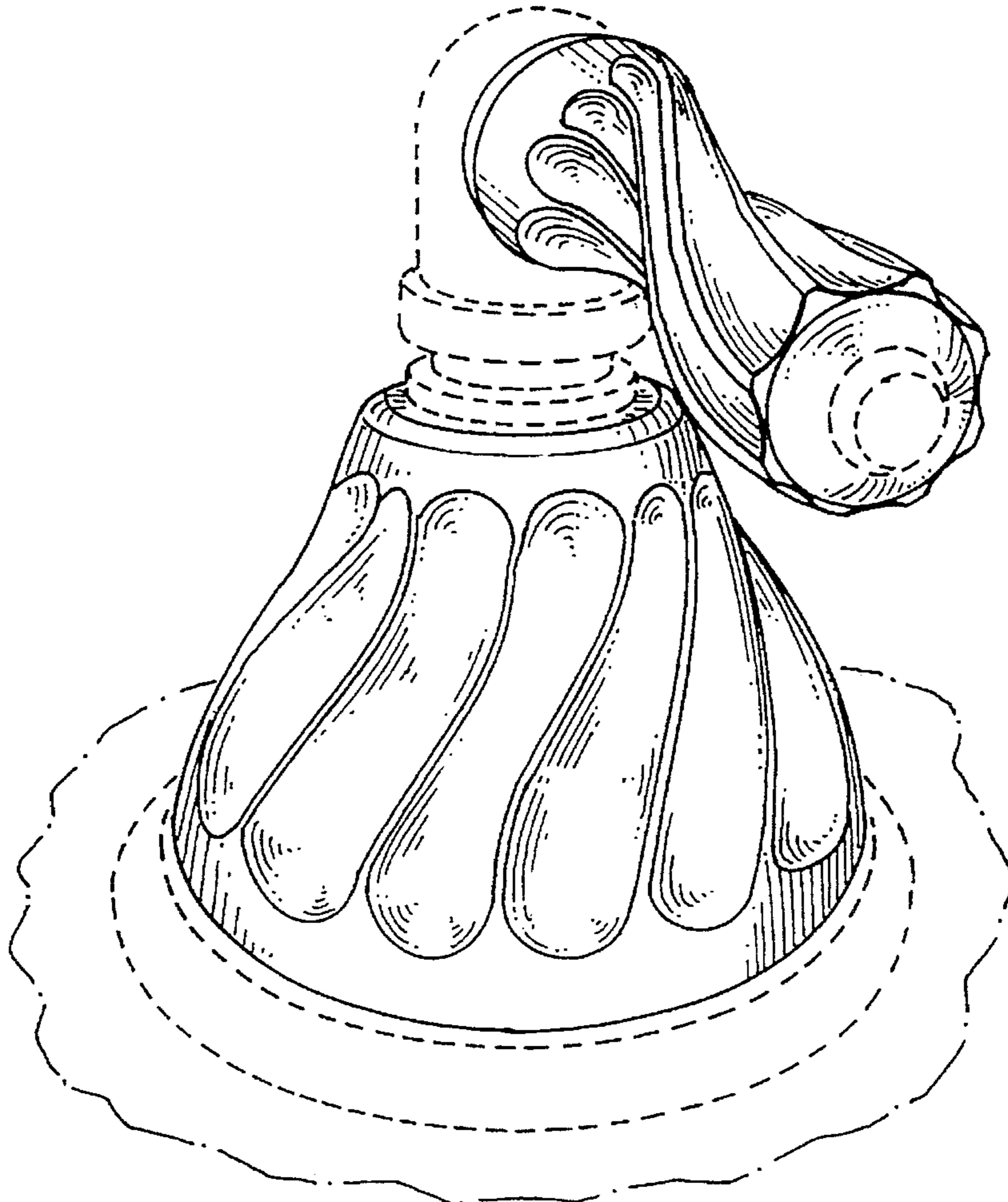
FIG. 3 is a bottom plan view of the knob set;

FIG. 4 is a top plan view of the knob set;

FIG. 5 is a front view of the knob set; and,

FIG. 6 is a rear end view of the knob set.

1 Claim, 2 Drawing Sheets



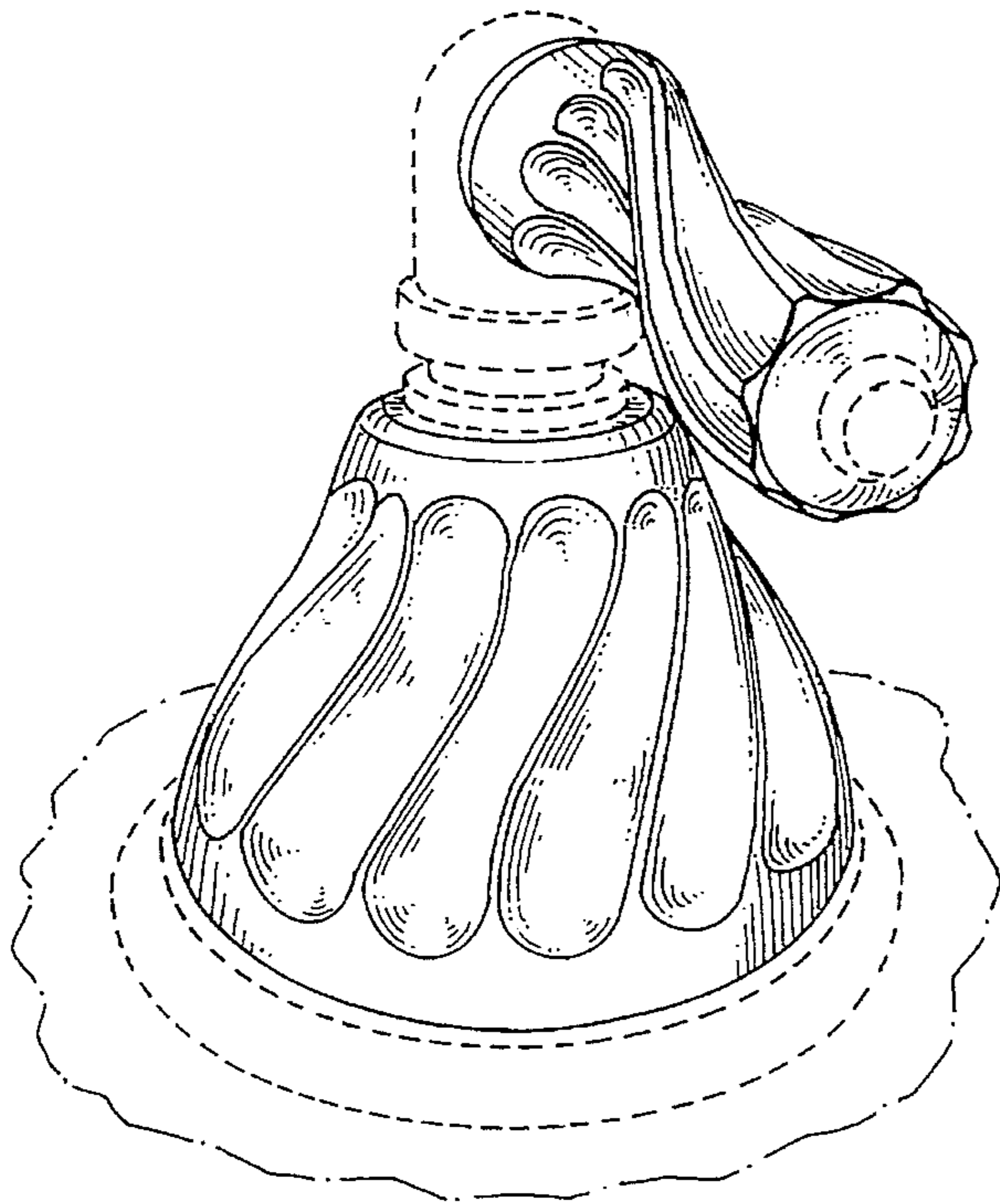


FIG. 1

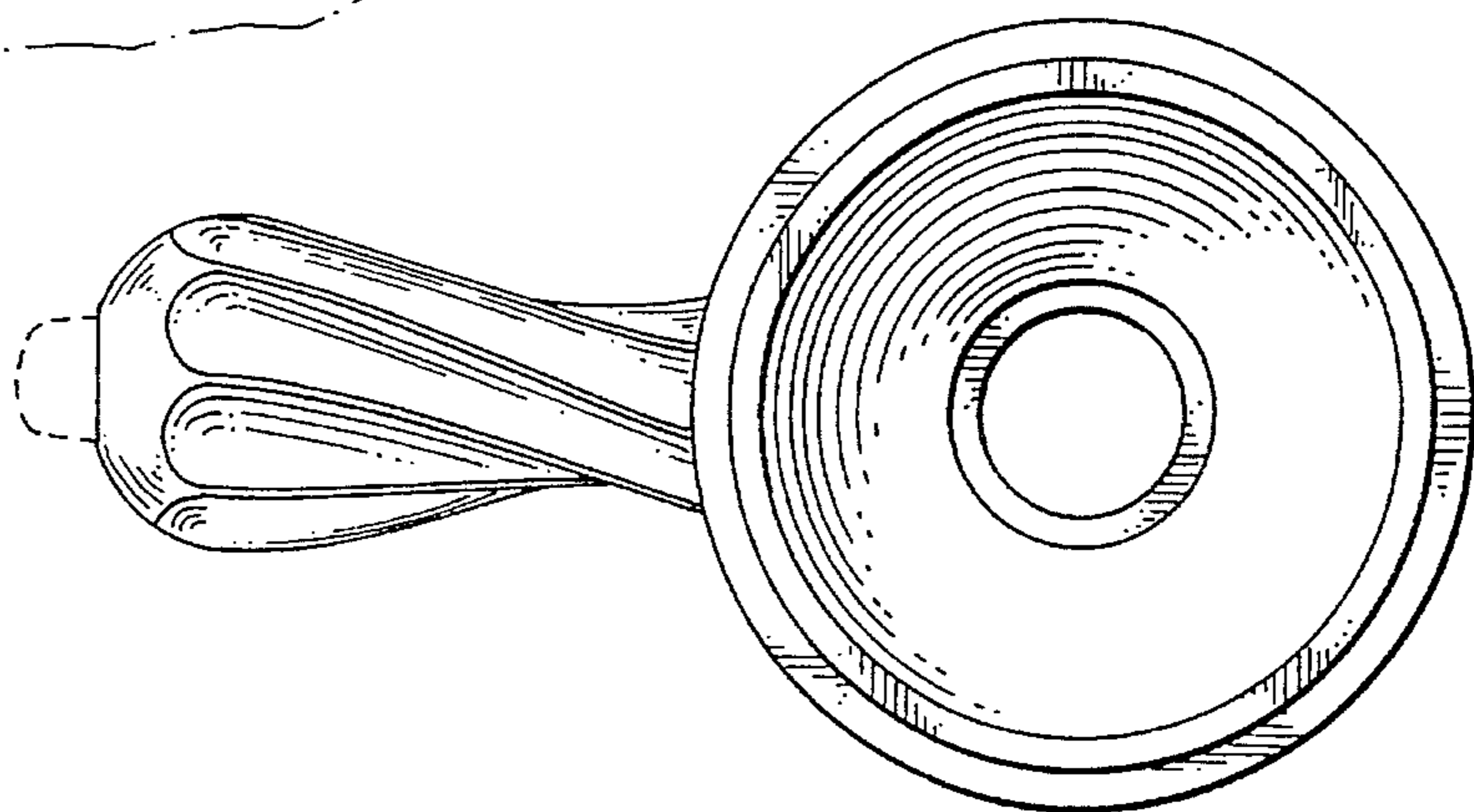


FIG. 3

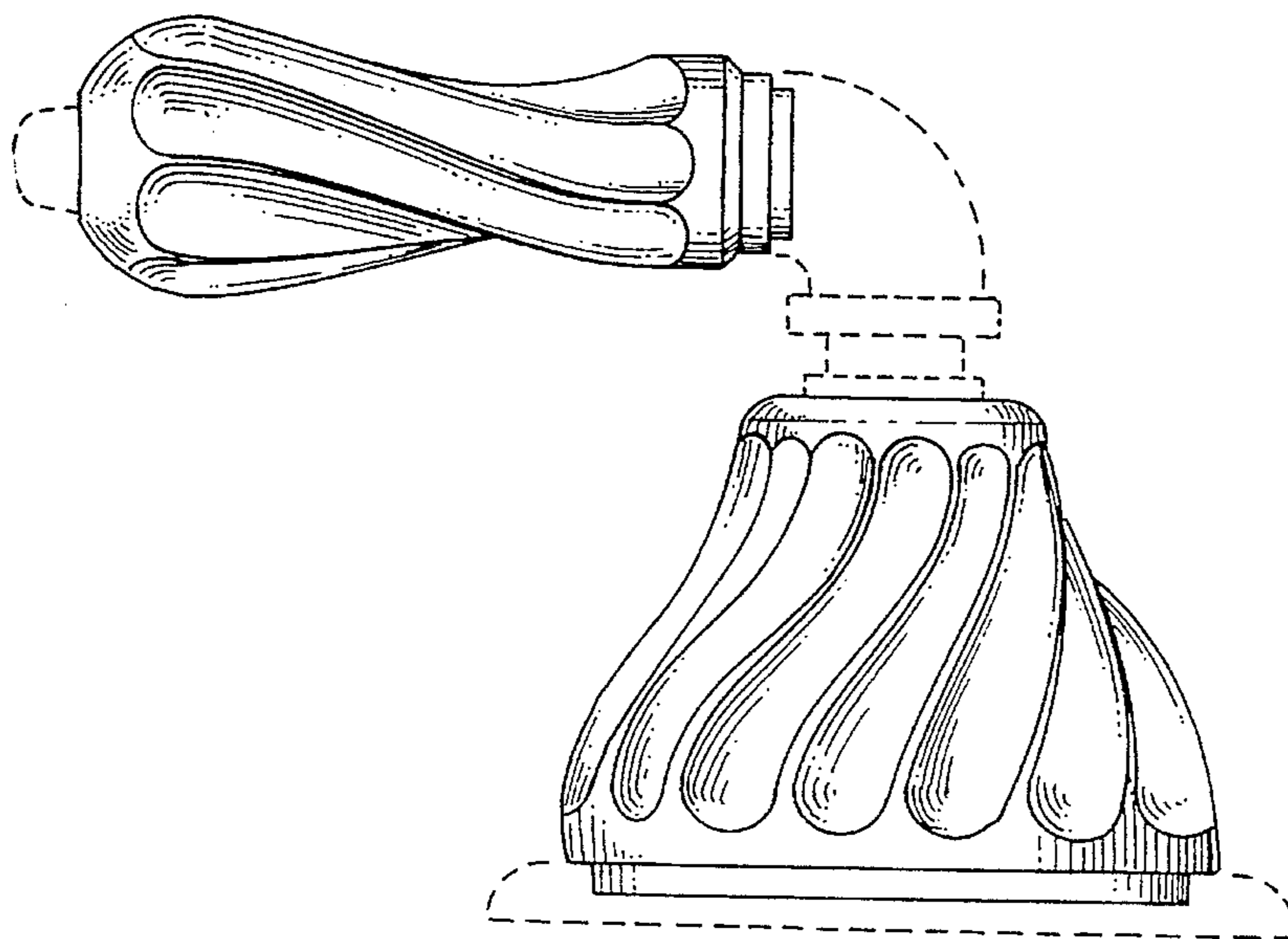


FIG. 2

FIG. 4

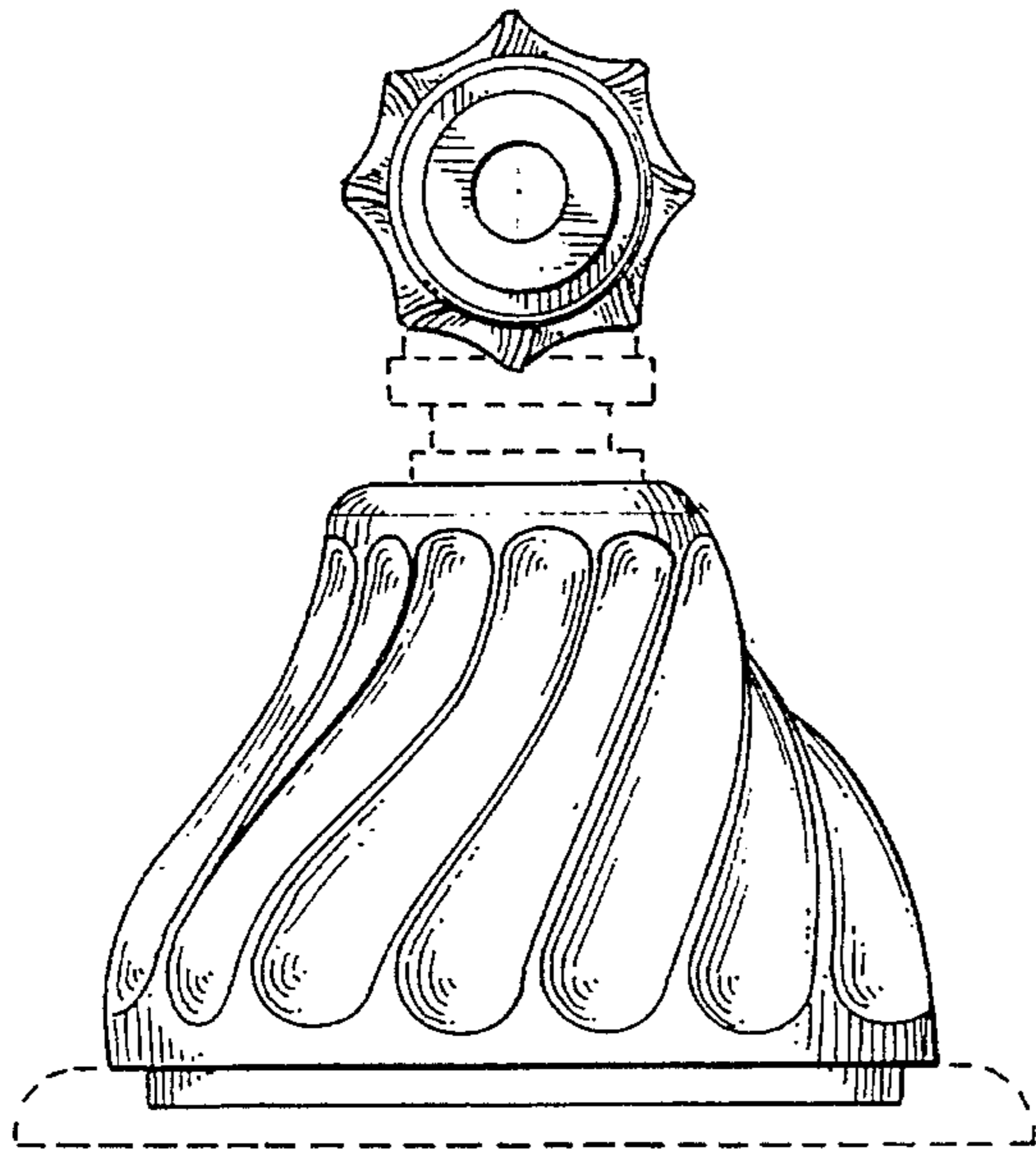
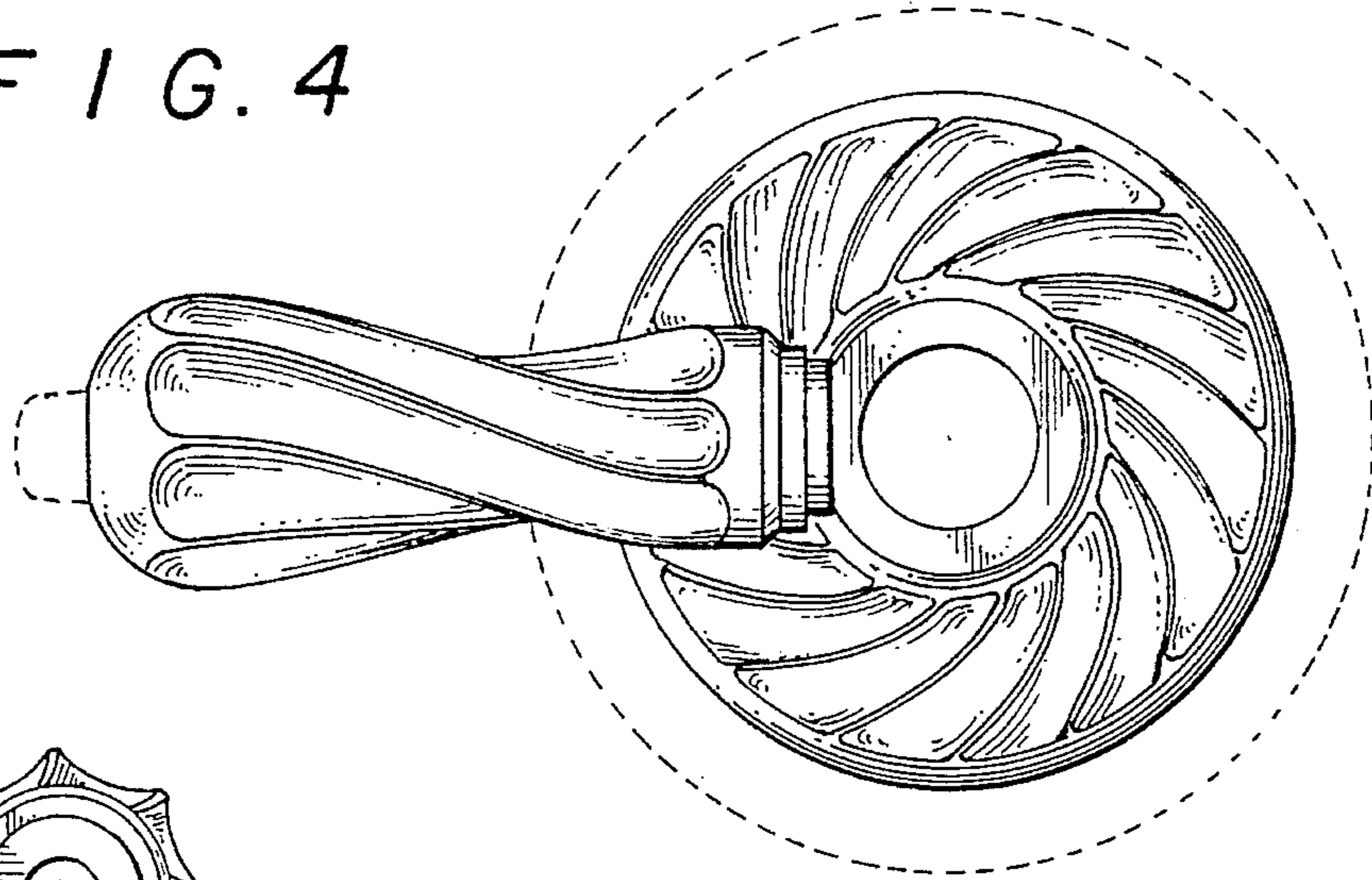


FIG. 5

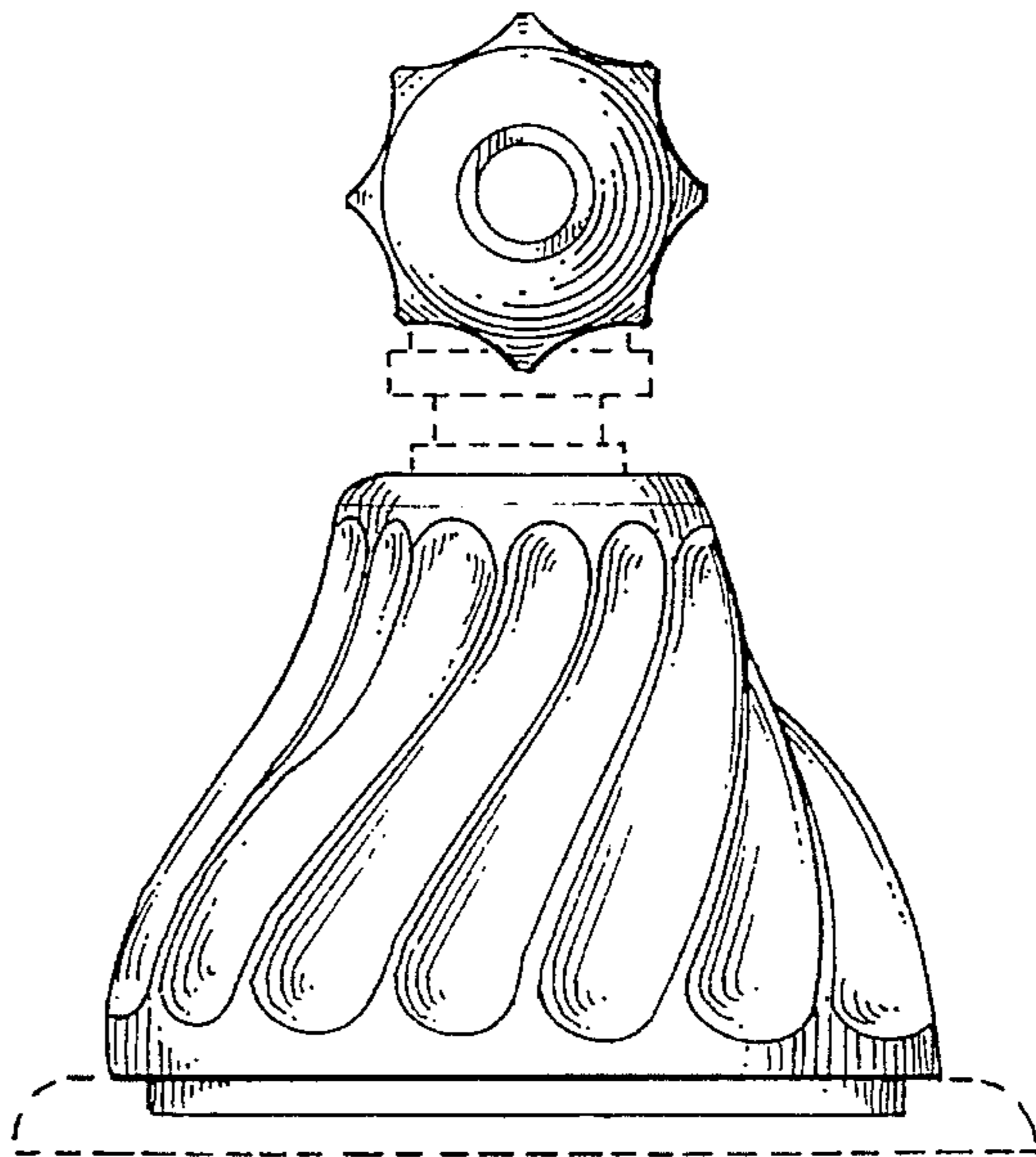


FIG. 6