



US00D378228S

United States Patent [19]

[11] Patent Number: **Des. 378,228**

Kysilka

[45] Date of Patent: ****Feb. 25, 1997**

[54] **SLING BOW WITH RIGID GUIDE TUBES FOR PROPELLING A CONVENTIONAL ARROW**

[76] Inventor: **James O. Kysilka**, P.O. Box 1581, Fargo, N. Dak. 58107-1581

[**] Term: **14 Years**

[21] Appl. No.: **46,039**

[22] Filed: **Nov. 6, 1995**

3,455,288	7/1969	Knerr .	
3,517,657	6/1970	Alban .	
3,572,311	3/1971	Baer	124/20.1
4,297,985	11/1981	Rodriguez .	
4,373,503	2/1983	Saunders .	
4,386,598	6/1983	Blaser .	
4,437,449	3/1984	Attanasio .	
4,458,658	7/1984	Blair .	
4,573,445	3/1986	Webb et al. .	
4,873,963	10/1989	Lemmen .	
4,877,007	10/1989	Olson .	
4,957,093	9/1990	Hamlett	124/24.1
5,282,453	2/1994	Chia .	

Related U.S. Application Data

[63] Continuation-in-part of Ser. No. 35,997, Mar. 10, 1995, abandoned.

[52] U.S. Cl. **D22/107; D22/100**

[58] Field of Search D22/100, 101, D22/107, 199; 124/20.1, 20.3, 21, 22, 35.1, 41.1, 80, 86; D21/1, 2, 145, 191, 203, 210; 273/421, 422

Primary Examiner—Louis S. Zarfes

Assistant Examiner—Monica A. Hannon

Attorney, Agent, or Firm—Merchant, Gould, Smith, Edell, Welter & Schmidt, P.A.

[57] CLAIM

The ornamental design for sling bow with rigid guide tubes for propelling a conventional arrow, as shown and described.

DESCRIPTION

FIG. 1 is a perspective view as seen from the right side and above the sling bow with rigid guide tubes for propelling a conventional arrow, showing my new design;

FIG. 2 is a top plan view of FIG. 1;

FIG. 3 is a bottom plan view of FIG. 1;

FIG. 4 is a top view of FIG. 1;

FIG. 5 is a front elevational view of FIG. 1;

FIG. 6 is a right side elevational view of FIG. 1; and,

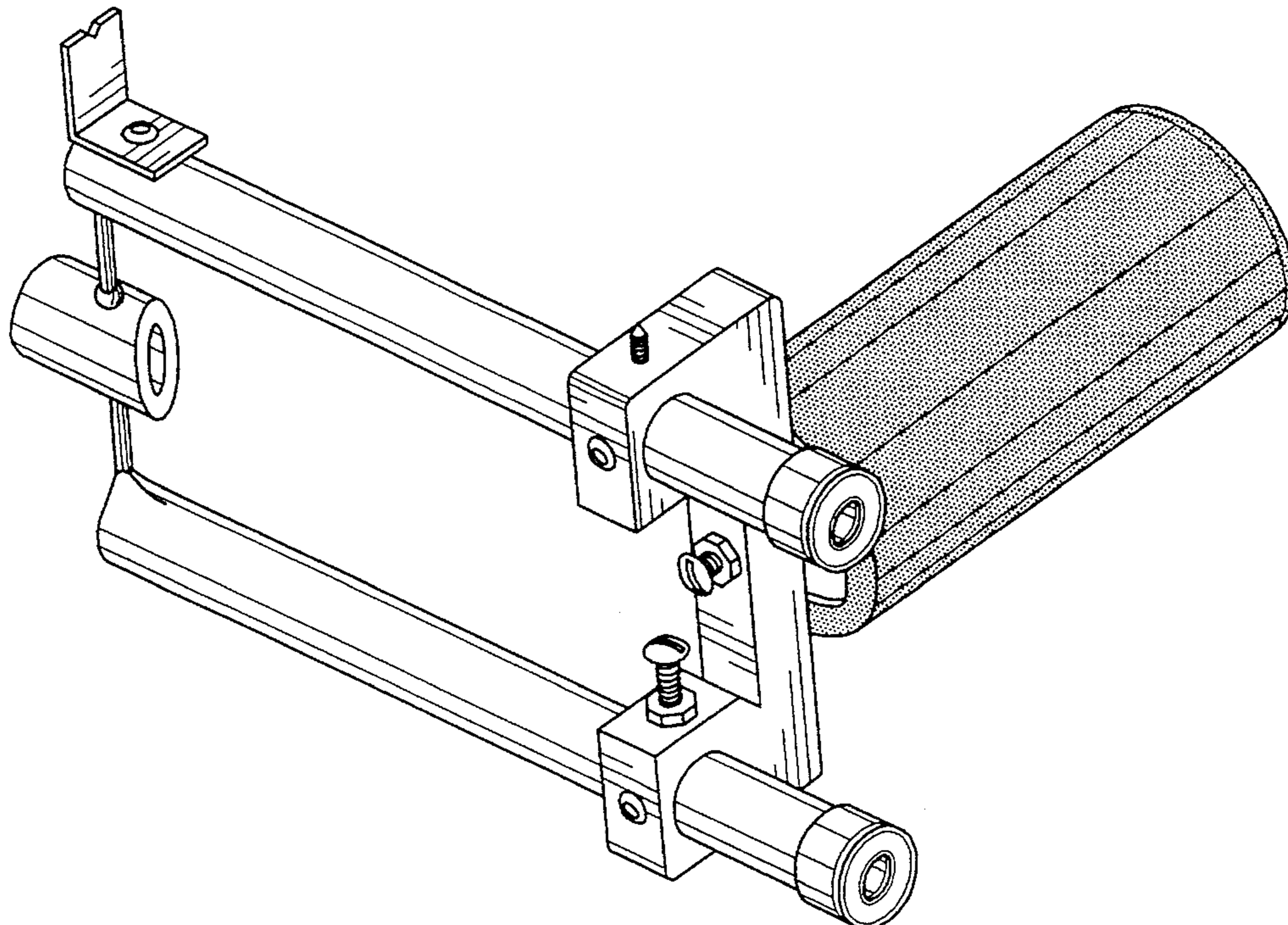
FIG. 7 is a left side elevational view of FIG. 1.

1 Claim, 6 Drawing Sheets

[56] References Cited

U.S. PATENT DOCUMENTS

D. 159,082	6/1950	Latrell	D22/102
225,510	3/1880	Curtis	124/20.3
1,153,415	9/1915	Beaty .	
1,375,776	4/1921	Buys .	
1,581,626	4/1926	Barth	124/22 X
1,748,651	2/1930	Holliday .	
2,645,217	7/1953	Fisher	D21/145 X
3,018,770	1/1962	Saunders .	
3,306,278	2/1967	Spatari .	



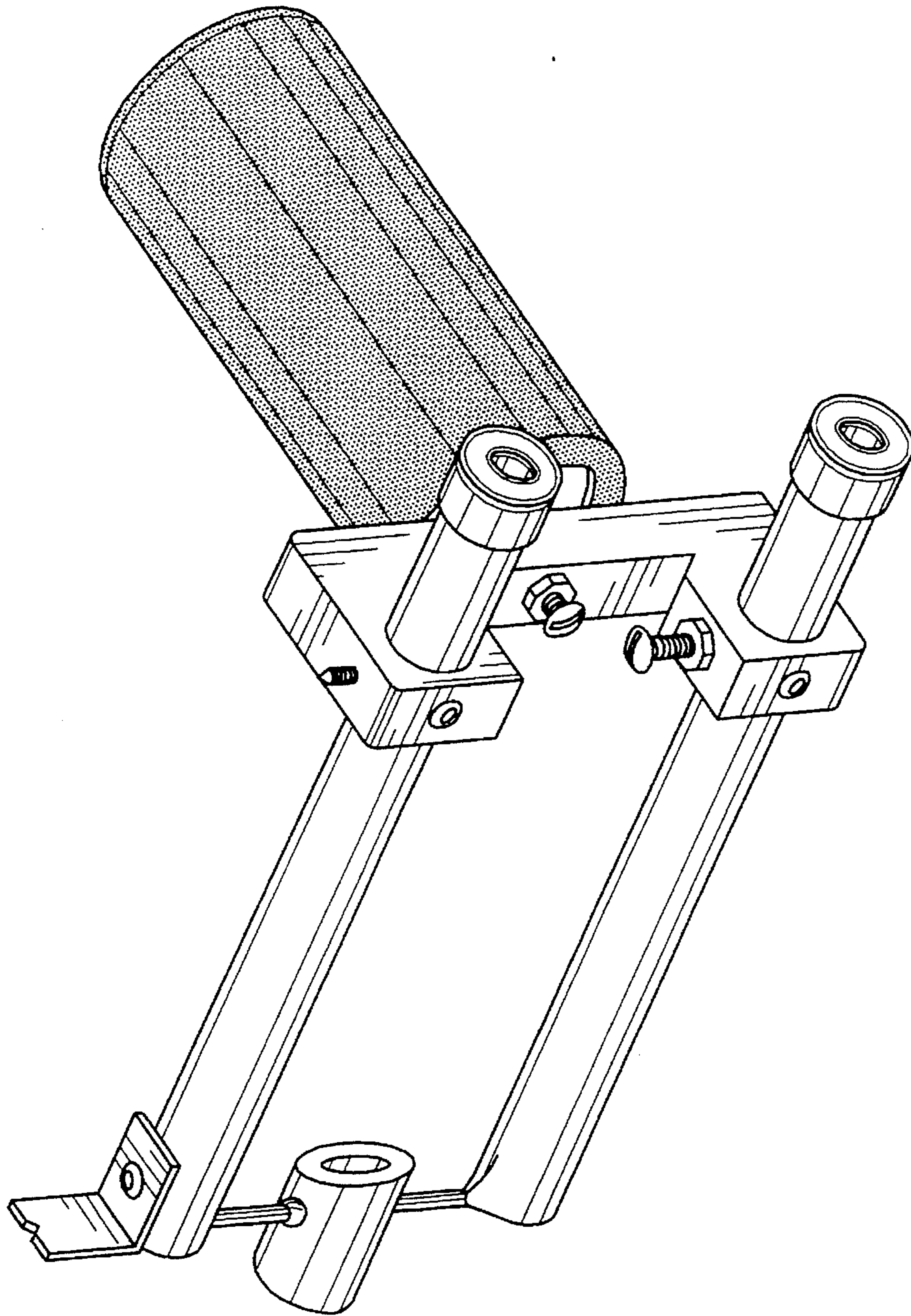


FIG. 1

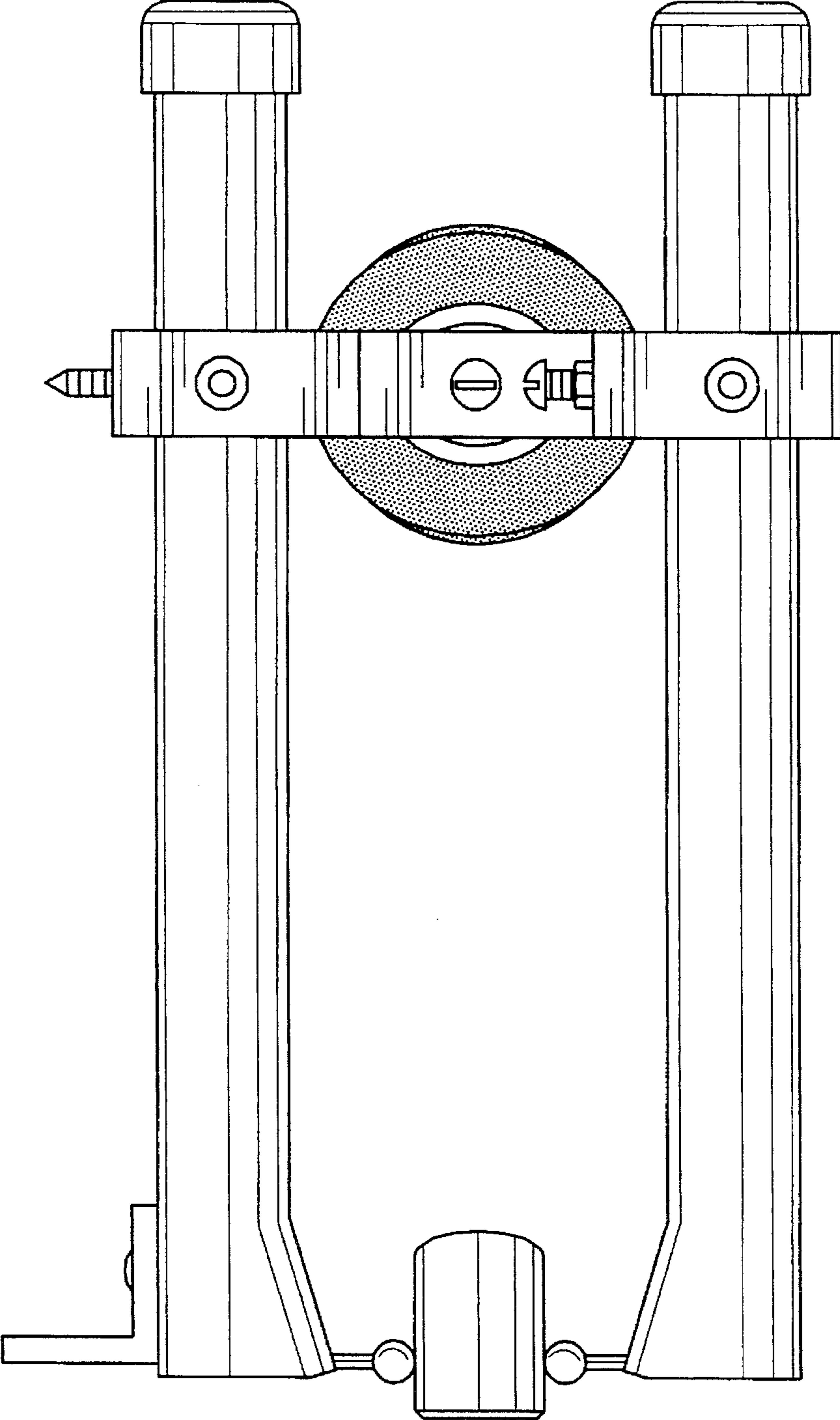


FIG. 2

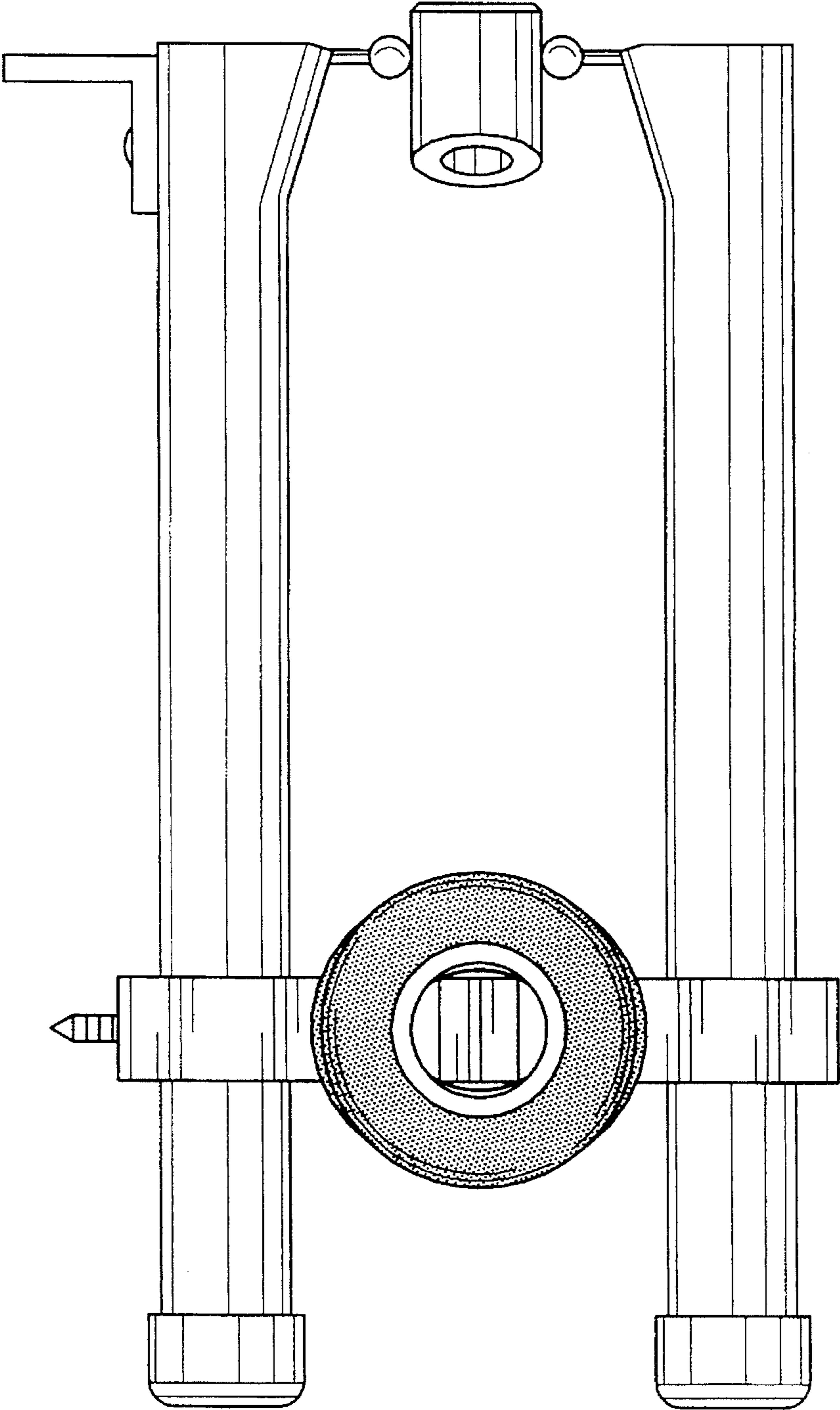


FIG. 3

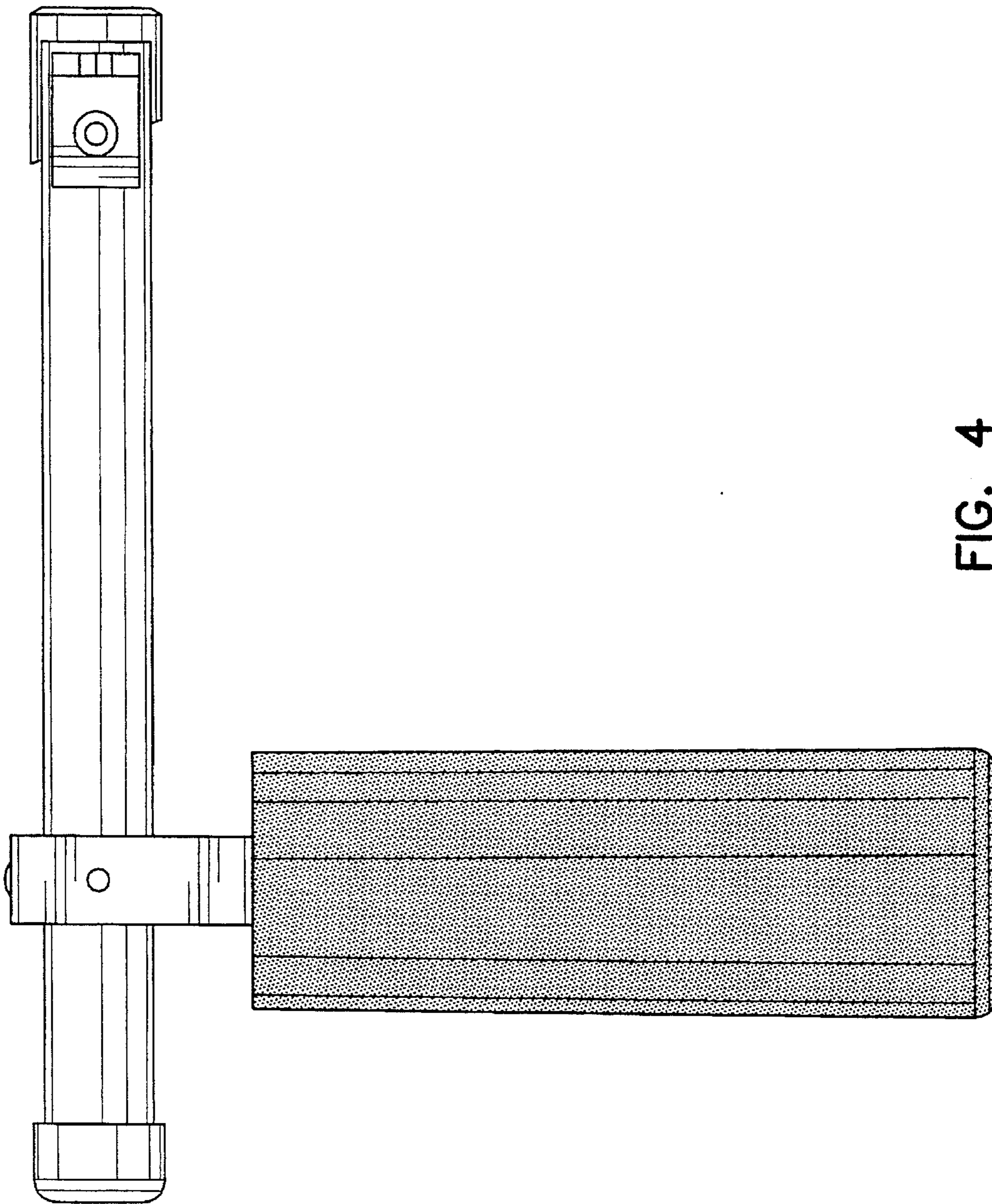


FIG. 4

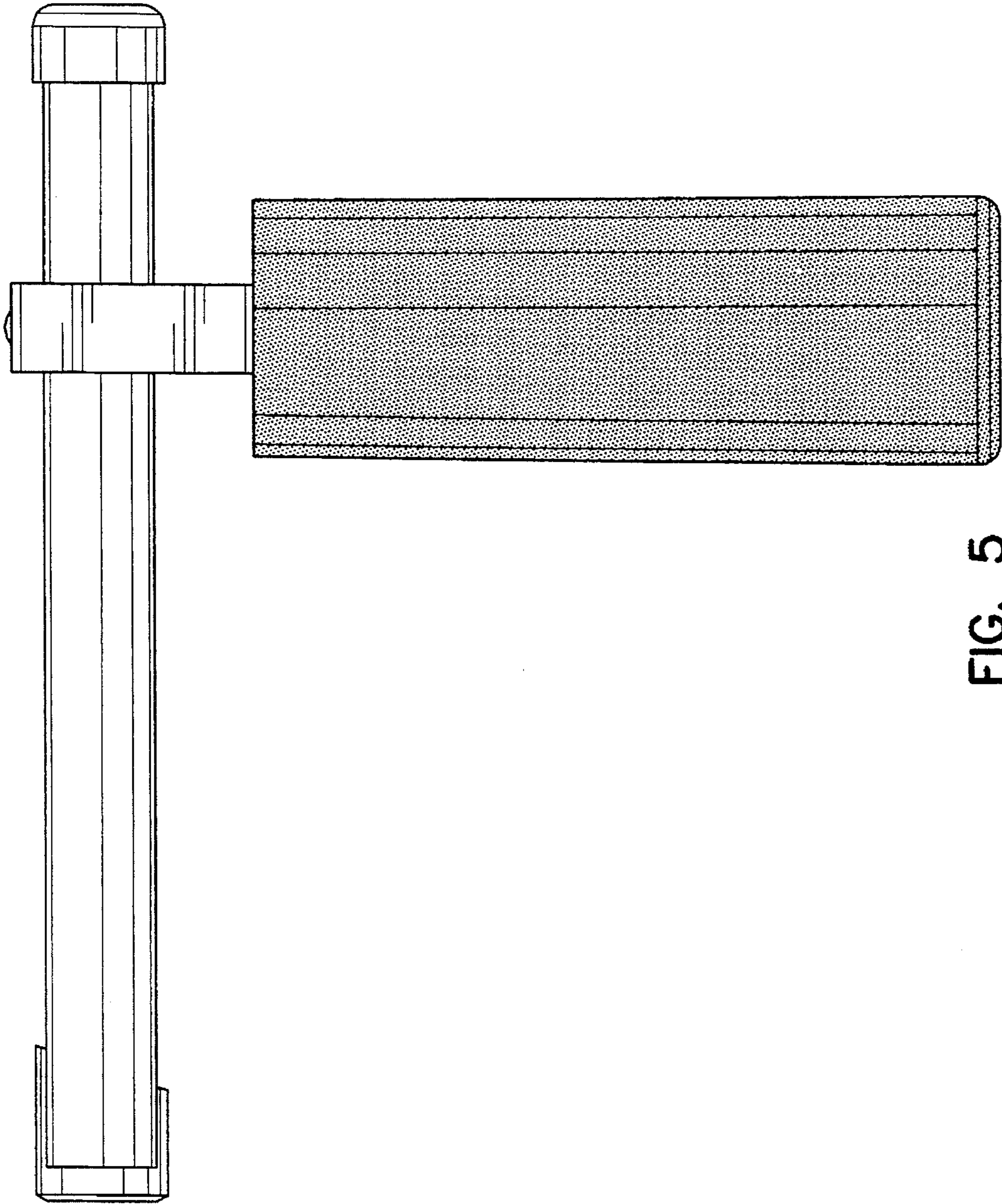


FIG. 5

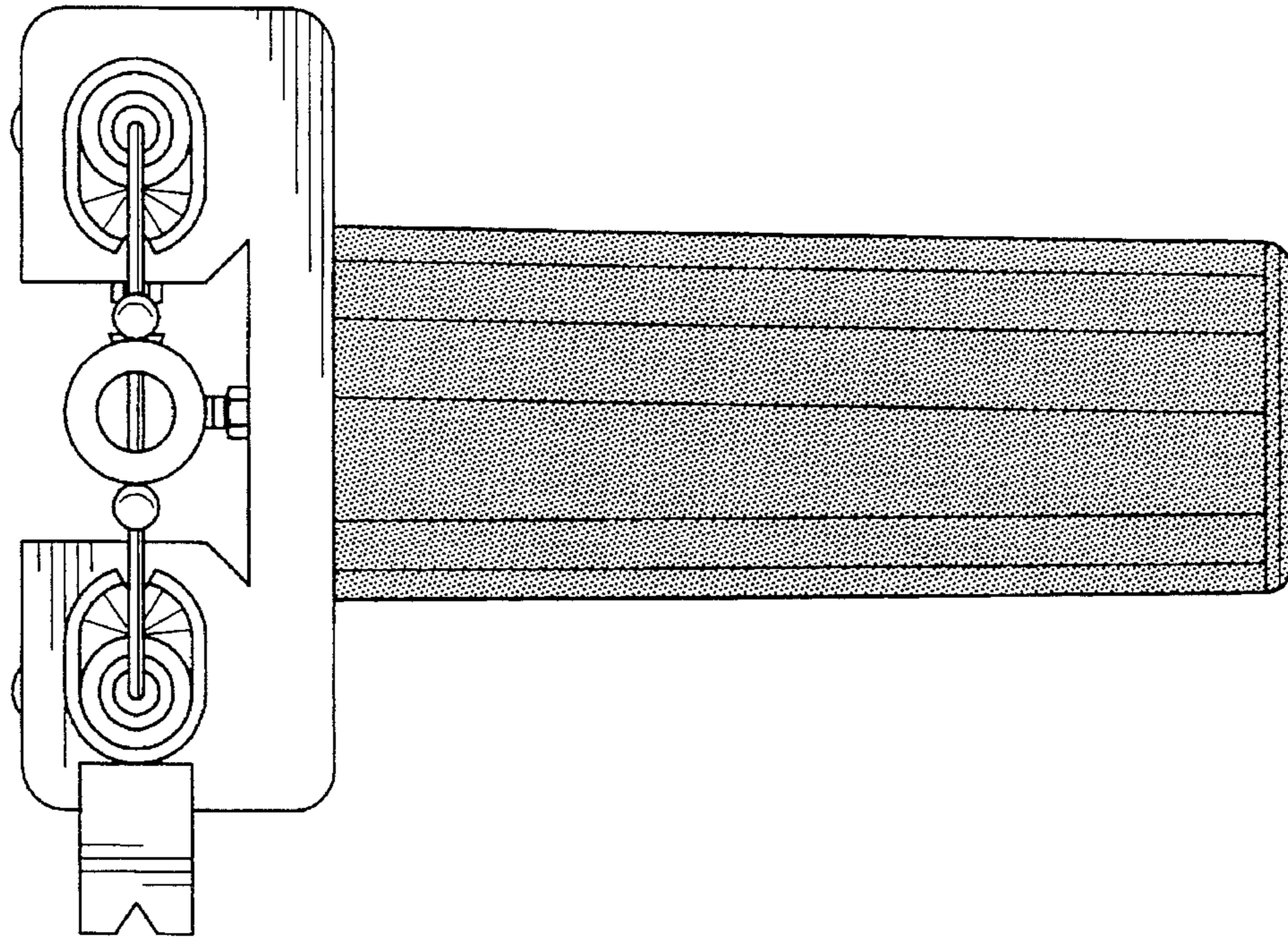


FIG. 7

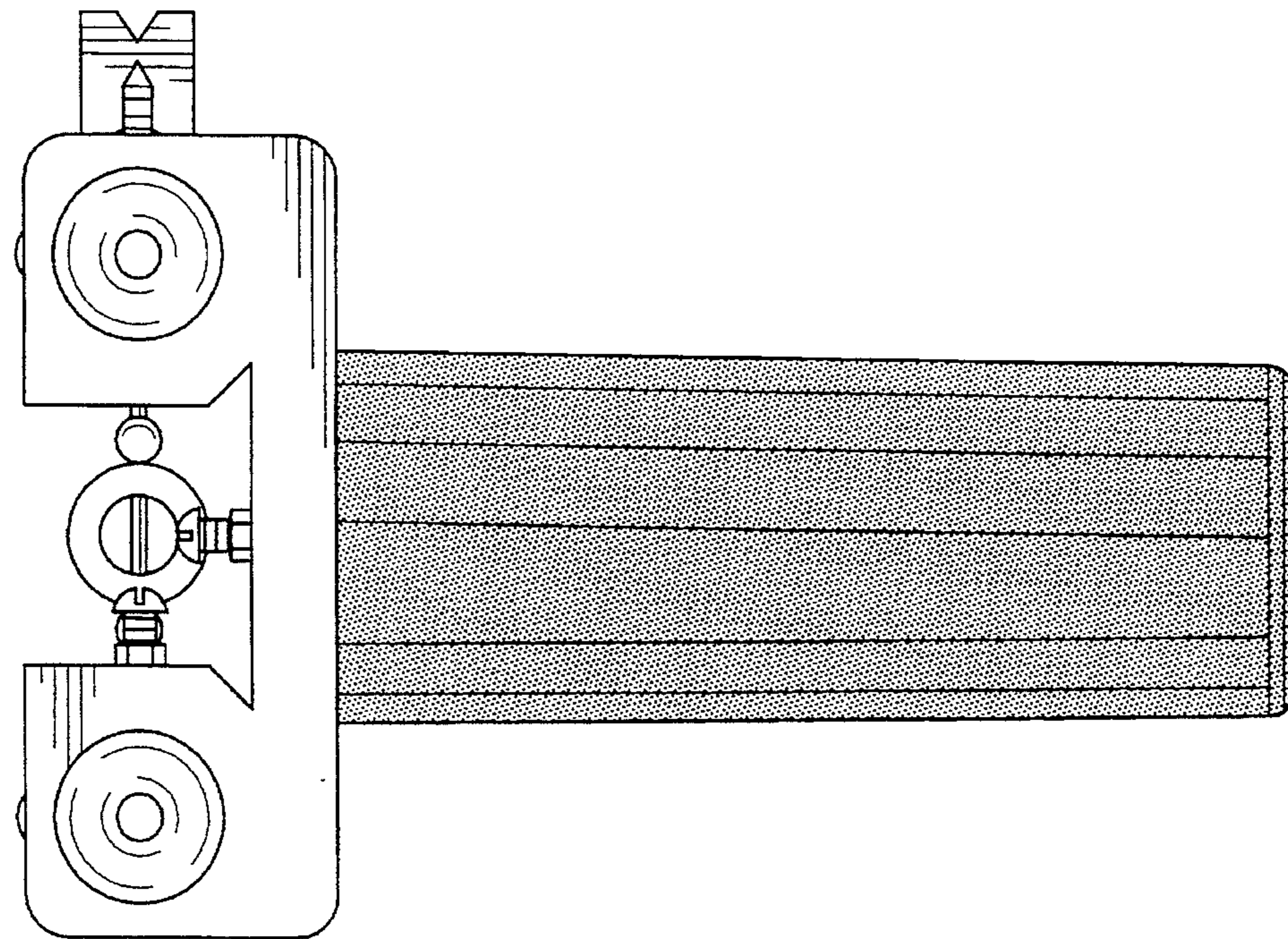


FIG. 6

UNITED STATES PATENT AND TRADEMARK OFFICE
CERTIFICATE OF CORRECTION

PATENT NO. : **Des. 378,228**
DATED : **25 Feb 1997**
INVENTOR(S) : **Kysilka**

It is certified that error appears in the above-identified patent and that said Letters Patent is hereby corrected as shown below:

On front page, in [57], after "DESCRIPTION", insert --This application is a continuation-in-part of design application Serial No. 29/035,997, filed March 10, 1995, now abandoned.--

On front page, Description column, in FIG. 3 after "view", replace "if" with --of--.

Signed and Sealed this
Thirtieth Day of September, 1997

Attest:



BRUCE LEHMAN

Attesting Officer

Commissioner of Patents and Trademarks