



US00D378224S

United States Patent [19]

Brettschneider

[11] Patent Number: **Des. 378,224**

[45] Date of Patent: ****Feb. 25, 1997**

[54] VIDEO SLOT MACHINE

[75] Inventor: **Dirk I. Brettschneider**, Lübbecke, Germany

[73] Assignee: **adp Gauselmann GmbH**, Lübbecke, Germany

[**] Term: **14 Years**

[21] Appl. No.: **39,230**

[22] Filed: **May 24, 1995**

[30] Foreign Application Priority Data

Dec. 5, 1994 [DE] Germany 94 09 371.7

[52] U.S. Cl. **D21/37**

[58] Field of Search D21/37-41; 273/138 R, 273/143 R, 85 CP

[56] References Cited

U.S. PATENT DOCUMENTS

D. 272,254	1/1984	Heywood	D21/38
D. 275,117	8/1984	Heywood	D21/38
D. 284,592	7/1986	Drews et al.	D21/38
D. 333,164	2/1993	Kraft et al.	D21/13

D. 340,954	11/1993	Stefan	D21/38
D. 344,122	2/1994	McKay et al.	D21/37
5,108,099	4/1992	Smyth	273/143 R X
5,123,649	6/1992	Tiberio	273/143 R
5,154,421	10/1992	Hamano	273/143 R
5,167,413	12/1992	Fulton	273/85 CP
5,219,167	6/1993	Hamano	273/143 R
5,251,898	10/1993	Dickenson et al.	273/143 R

Primary Examiner—Ted Shooman
Assistant Examiner—Mitchell I. Siegel
Attorney, Agent, or Firm—Horst M. Kasper

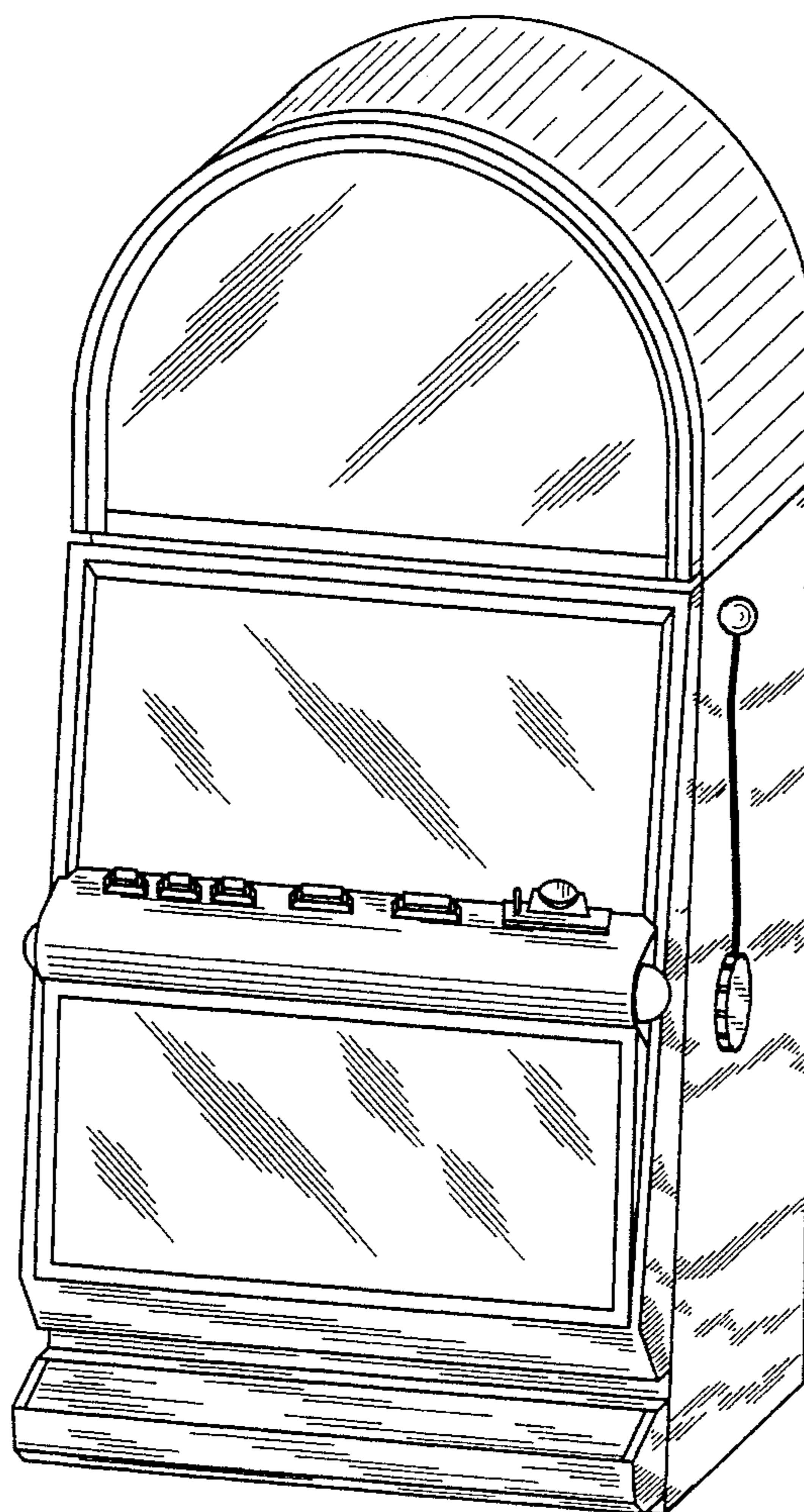
[57] CLAIM

The ornamental design for a video slot machine, as shown and described.

DESCRIPTION

FIG. 1 is a front elevational view of a video slot machine showing my new design;
FIG. 2 is a rear elevational view thereof;
FIG. 3 is a right side elevational view thereof;
FIG. 4 is a left side elevational view thereof;
FIG. 5 is a top plan view thereof; and,
FIG. 6 is a perspective view thereof.

1 Claim, 6 Drawing Sheets



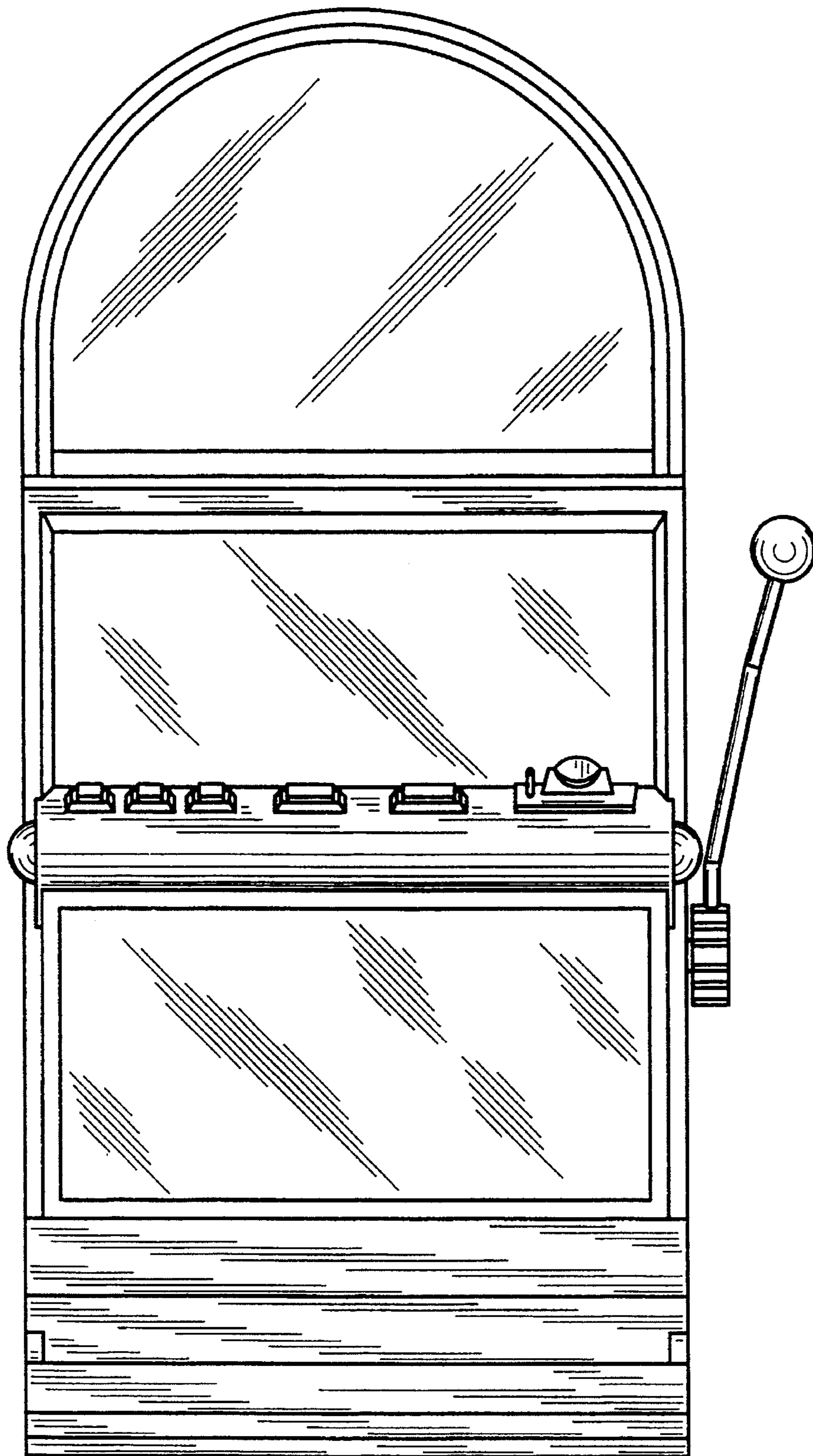


Fig. 1

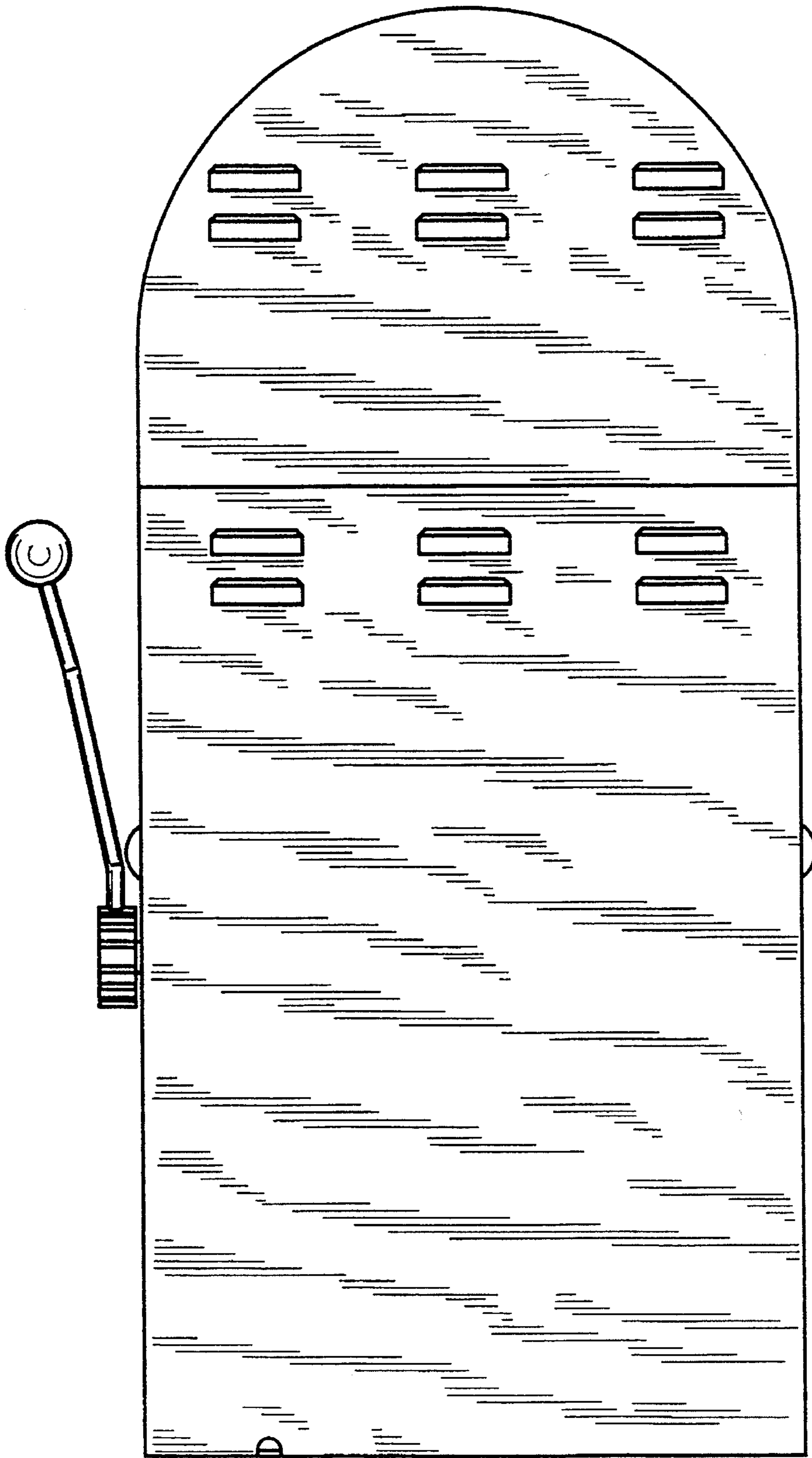


Fig.2

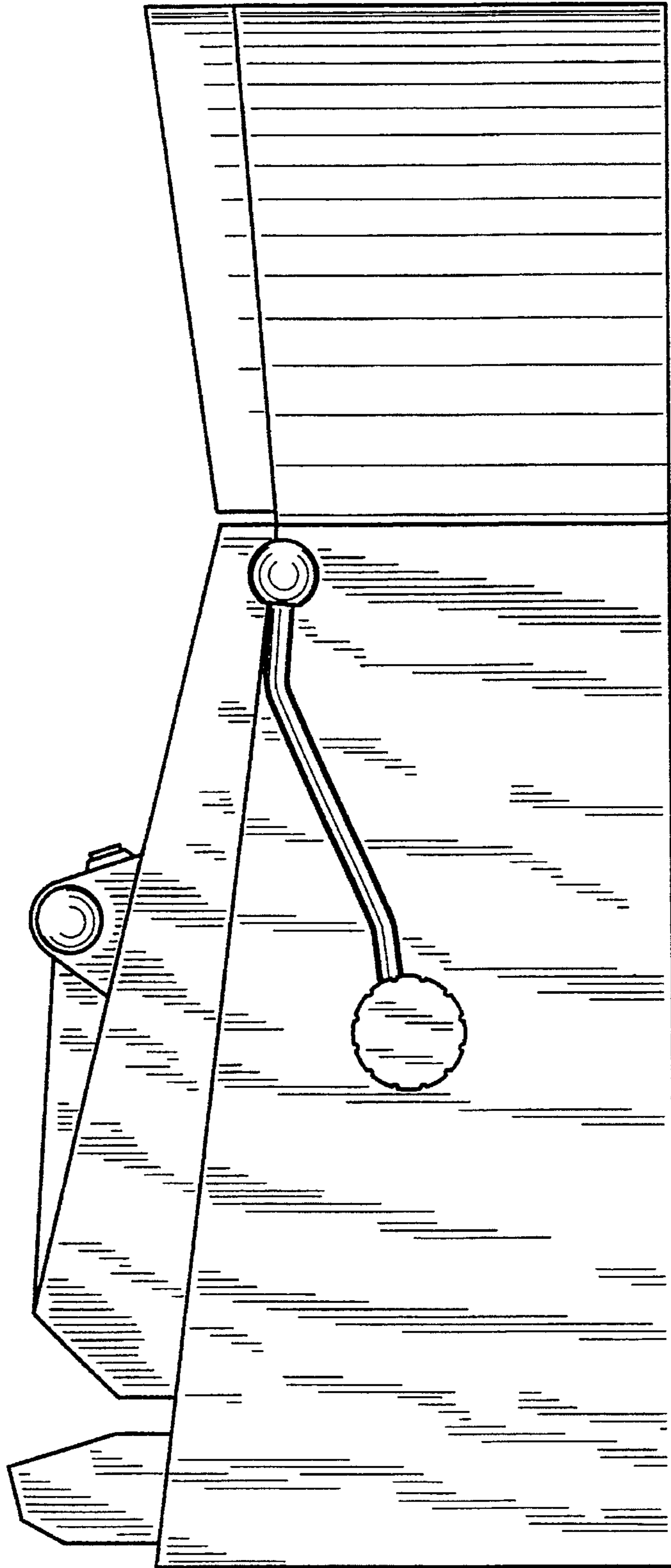


Fig.3

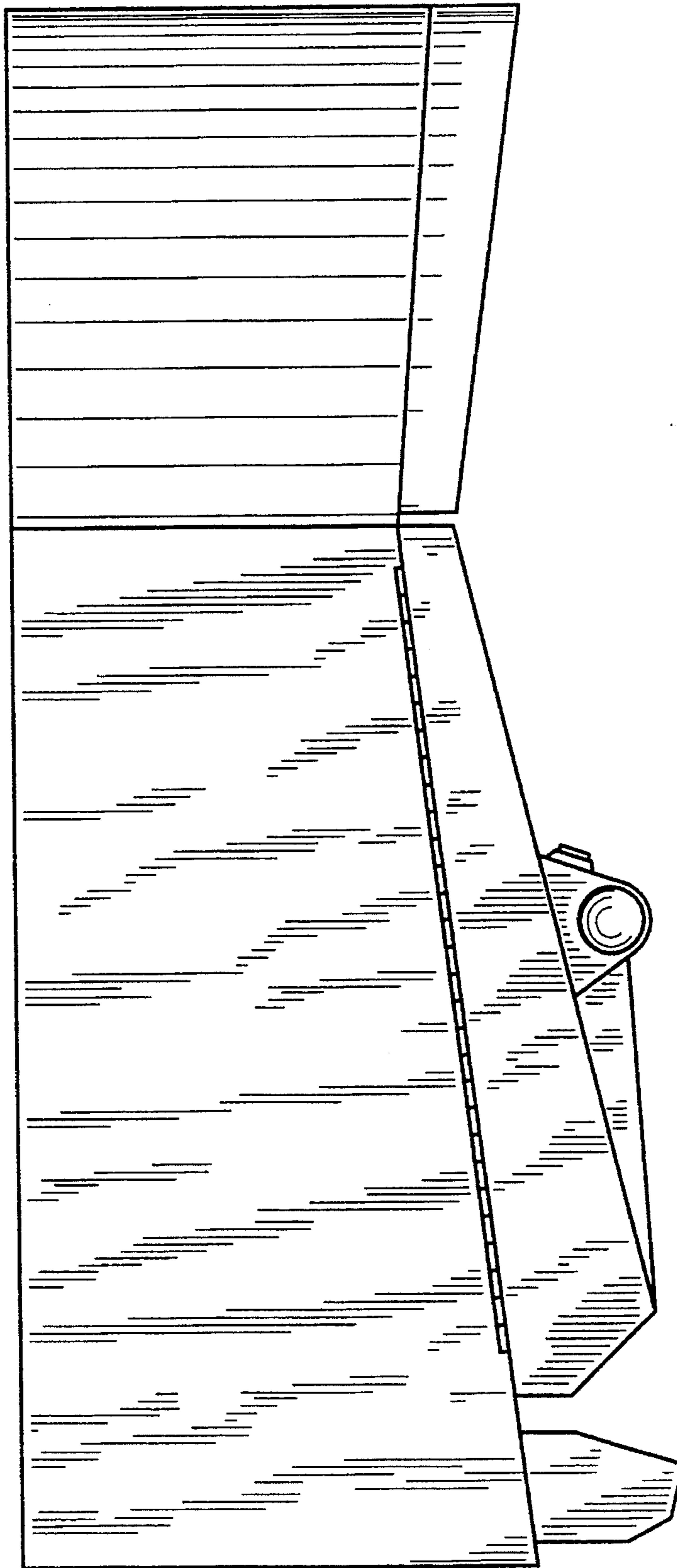


Fig.4

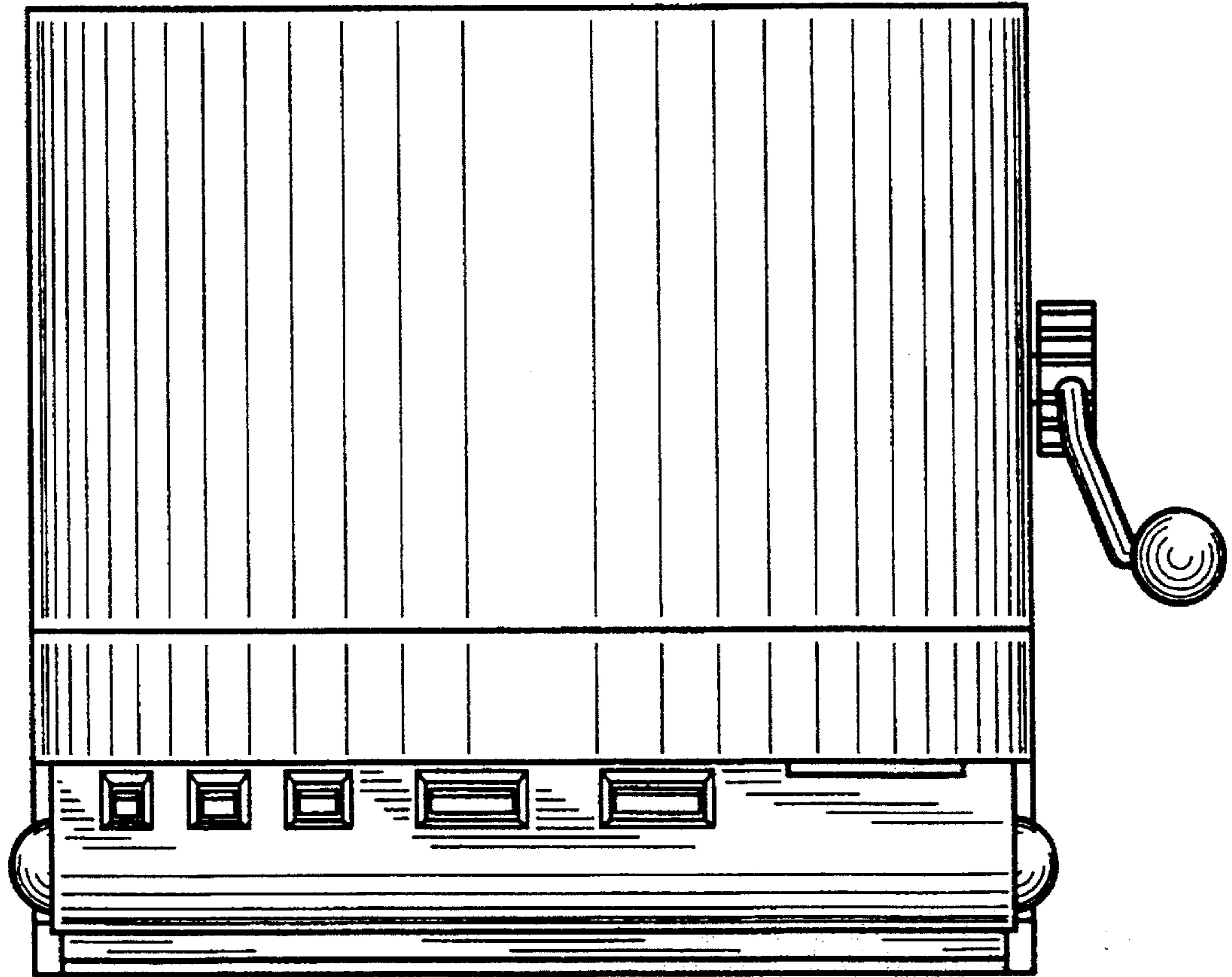


Fig.5

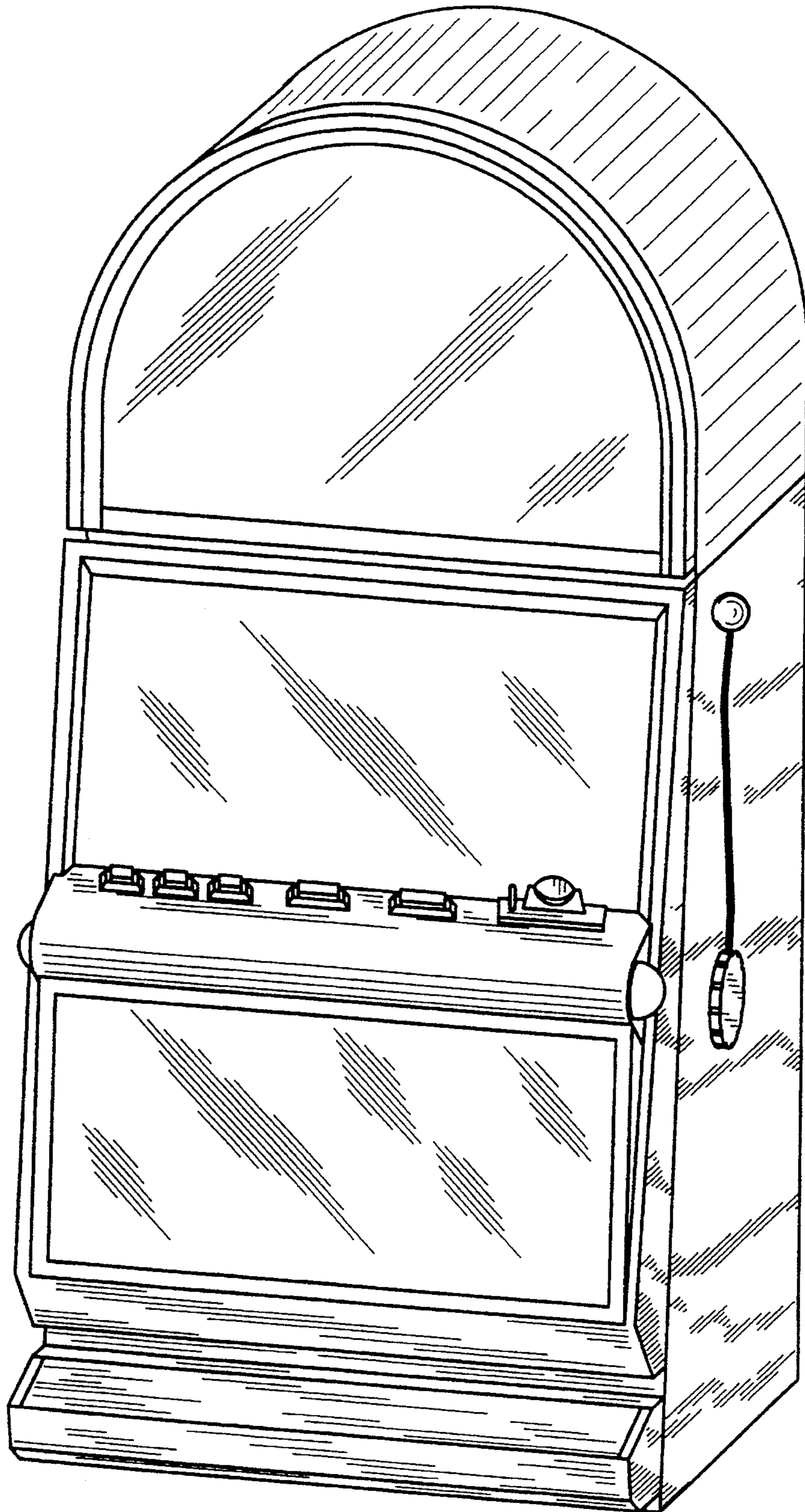


Fig.6