



US00D378219S

United States Patent [19]
Marshlack

[11] **Patent Number: Des. 378,219**

[45] **Date of Patent: **Feb. 25, 1997**

[54] **INVOICE HOLDER**

[76] **Inventor: Dane G. Marshlack, 2515 Bay Blvd. - Unit C, Indian Rocks Beach, Fla. 34635**

[**] **Term: 14 Years**

[21] **Appl. No.: 47,087**

[22] **Filed: Nov. 21, 1995**

[52] **U.S. Cl. D19/65; D19/90; D6/513**

[58] **Field of Search D6/513, 514, 323; D8/373; D19/65, 86, 90, 91, 99, 100; 211/71, 89; 24/259, 67 R, 67.1-67.11, 67.2-67.9**

[56] **References Cited**

U.S. PATENT DOCUMENTS

D. 60,275	1/1922	Stone	D19/65
D. 199,828	12/1964	Regan	D19/88
D. 256,963	9/1980	Harrington	D19/65 X
D. 356,340	3/1995	Browning, Jr.	D19/65 X
3,967,346	7/1976	Young, Jr.	211/89
4,291,810	9/1981	Rubenstein	211/89
4,461,387	7/1984	Belokin, Jr.	211/71
4,953,714	9/1990	Paul	211/89 X
5,115,921	5/1992	Lavelle	211/71
5,515,981	5/1996	Gregory et al.	211/89 X

OTHER PUBLICATIONS

Miller Office Supply Catalog © 1994, See p. 375, Circled Hanging Clip—Center Page.

Associated Stationeer's Supply Co. © 1947, p. 176, See Circled Clip, Right Center.

Primary Examiner—Martie Thompson

Attorney, Agent, or Firm—Larson & Larson, P.A.; James E. Larson

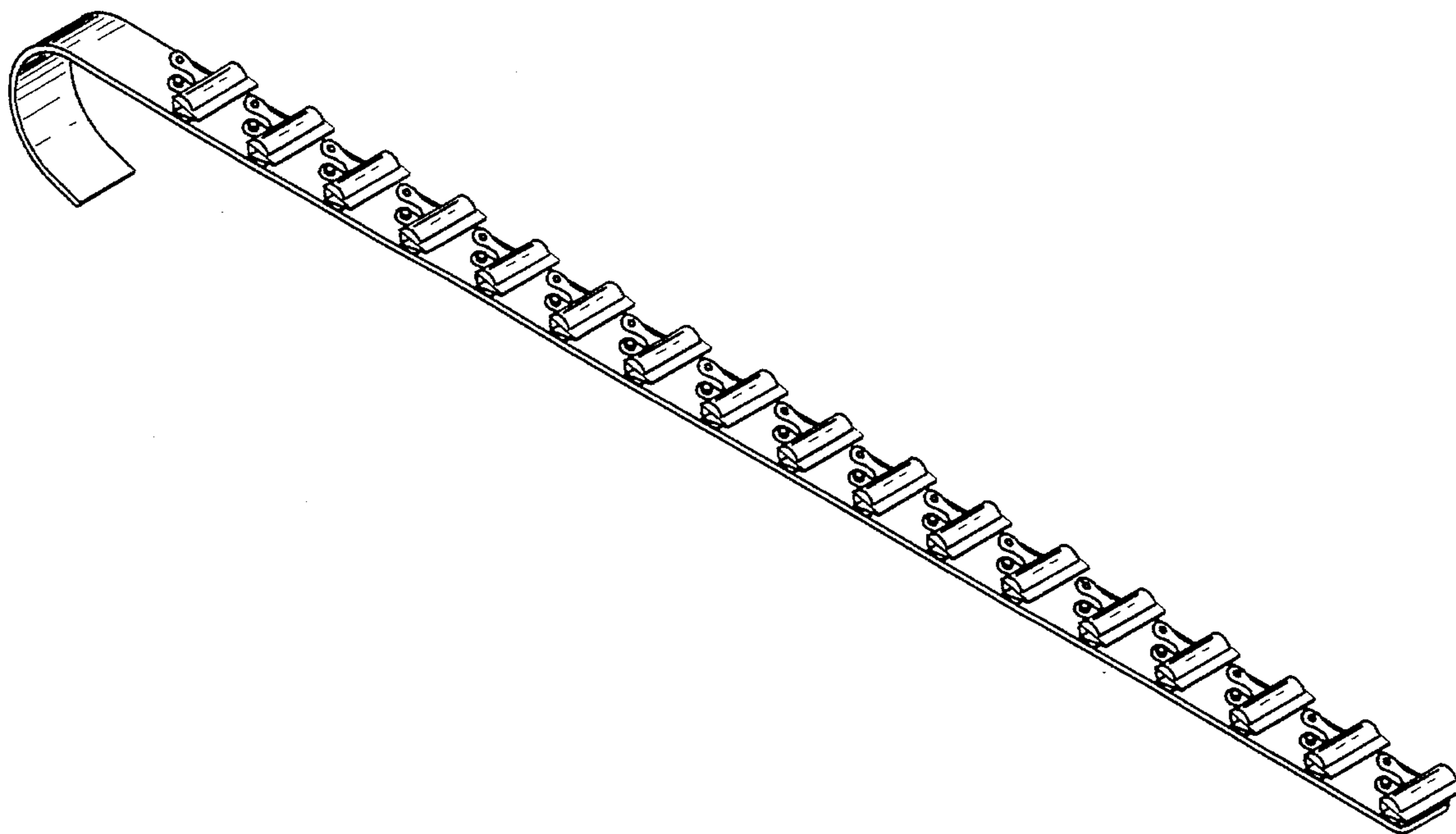
[57] **CLAIM**

The ornamental design for an invoice holder, as shown and described.

DESCRIPTION

FIG. 1 is a perspective view of my invoice holder showing my new design;
FIG. 2 is a front elevational view thereof;
FIG. 3 is a rear elevational view thereof;
FIG. 4 is a left side elevational view thereof;
FIG. 5 is a right side elevational view thereof;
FIG. 6 is a top plan view thereof; and,
FIG. 7 is a bottom plan view thereof.

1 Claim, 3 Drawing Sheets



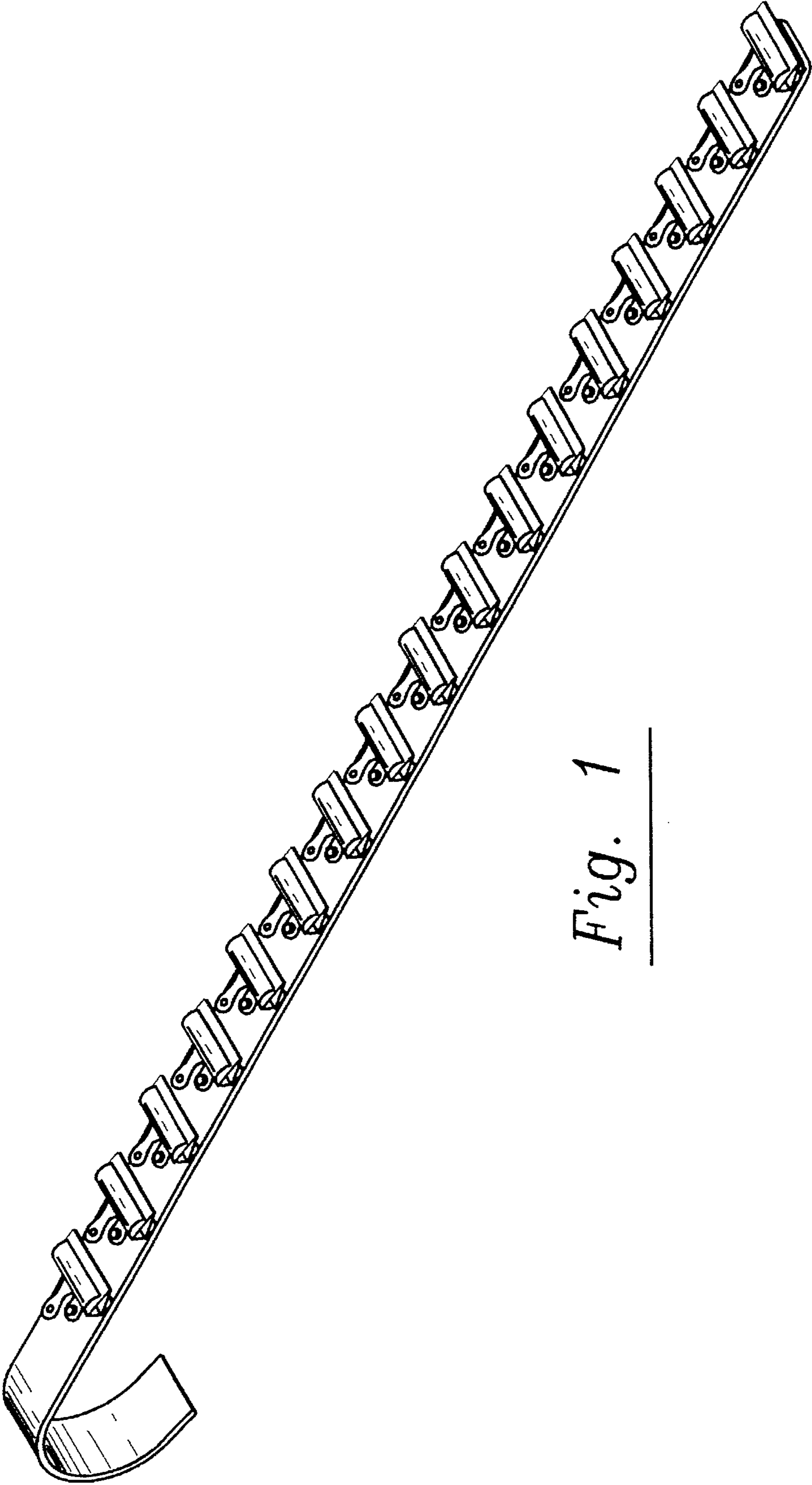


Fig. 1

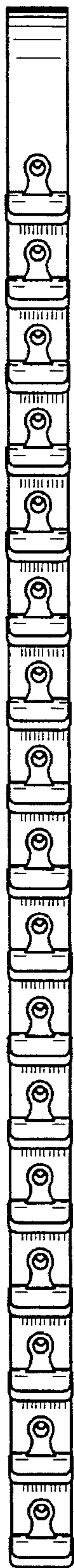


Fig. 2



Fig. 3

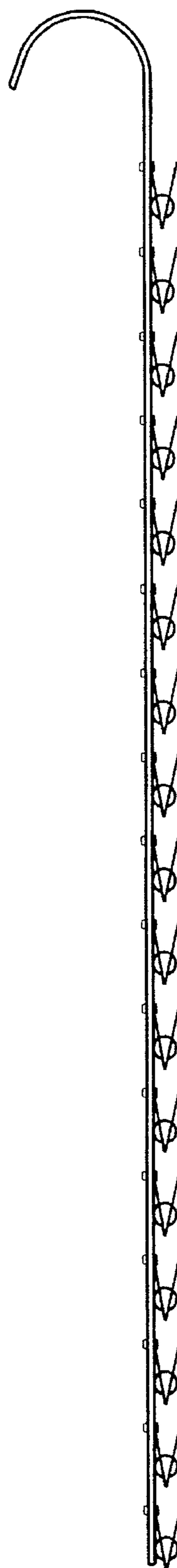


Fig. 4

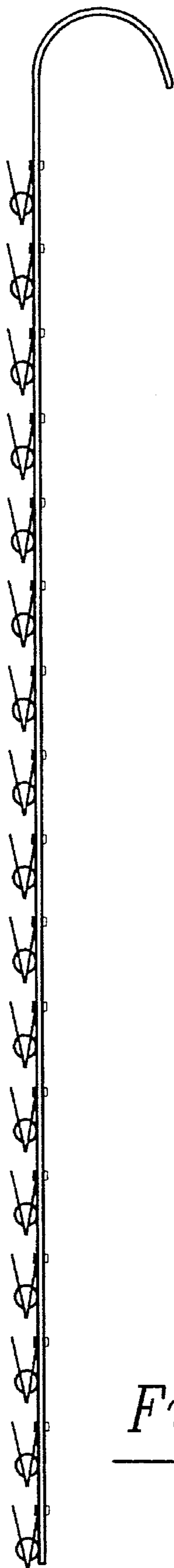


Fig. 5



Fig. 6

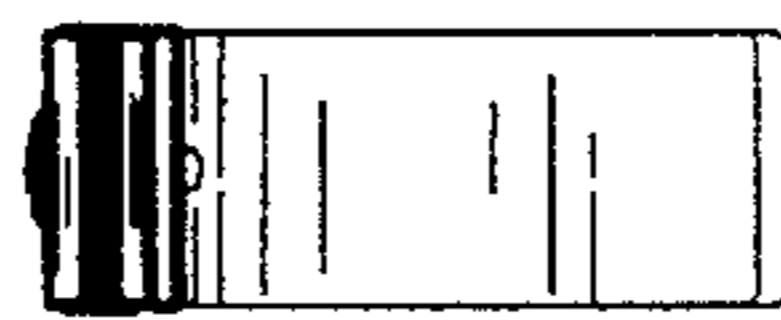


Fig. 7