



US00D378216S

United States Patent [19] Takahashi

[11] Patent Number: **Des. 378,216**

[45] Date of Patent: ****Feb. 25, 1997**

[54] **BINOCULARS**

[75] Inventor: **Akio Takahashi**, Tokyo, Japan

[73] Assignee: **Asahi Kogaku Kogyo Kabushiki Kaisha**, Tokyo, Japan

[**] Term: **14 Years**

[21] Appl. No.: **40,814**

[22] Filed: **Jun. 27, 1995**

[30] **Foreign Application Priority Data**

Dec. 28, 1994 [JP] Japan 6-40207

[52] U.S. Cl. **D16/133**

[58] Field of Search D16/132, 133;
359/407-418, 480-482

[56] **References Cited**

U.S. PATENT DOCUMENTS

D. 306,869	3/1990	Takahashi	D16/133
D. 326,862	6/1992	Rosenfield	D16/133
D. 356,586	3/1995	Takahashi	D16/133
D. 359,972	7/1995	Takahashi	D16/133
5,062,698	11/1991	Funathu	359/414

FOREIGN PATENT DOCUMENTS

1210583	2/1966	Germany	359/413
---------	--------	---------	-------	---------

OTHER PUBLICATIONS

Orion Telescope Center, Winter 1993, p. 71, See Items #9308, #9304, and #9302.

The Sportsman's Guide, 1993, p. 44, See Item A4-8933.

Orion Telescope Center, Fall 1992, pp. 28 and 29, See Items #9614 and #9610.

Primary Examiner—B. J. Bullock

Assistant Examiner—Stacia Sinuik

Attorney, Agent, or Firm—Sughrue, Mion, Zinn, Macpeak & Seas

[57] **CLAIM**

The ornamental design for binoculars, as shown.

DESCRIPTION

FIG. 1 is a perspective view of the rear, top and right side of binoculars showing my new design;

FIG. 2 is a rear elevational view thereof;

FIG. 3 is a front elevational view thereof;

FIG. 4 is a right side elevational view thereof;

FIG. 5 is a left side elevational view thereof;

FIG. 6 is a top plan view thereof; and,

FIG. 7 is a bottom plan view thereof.

1 Claim, 5 Drawing Sheets

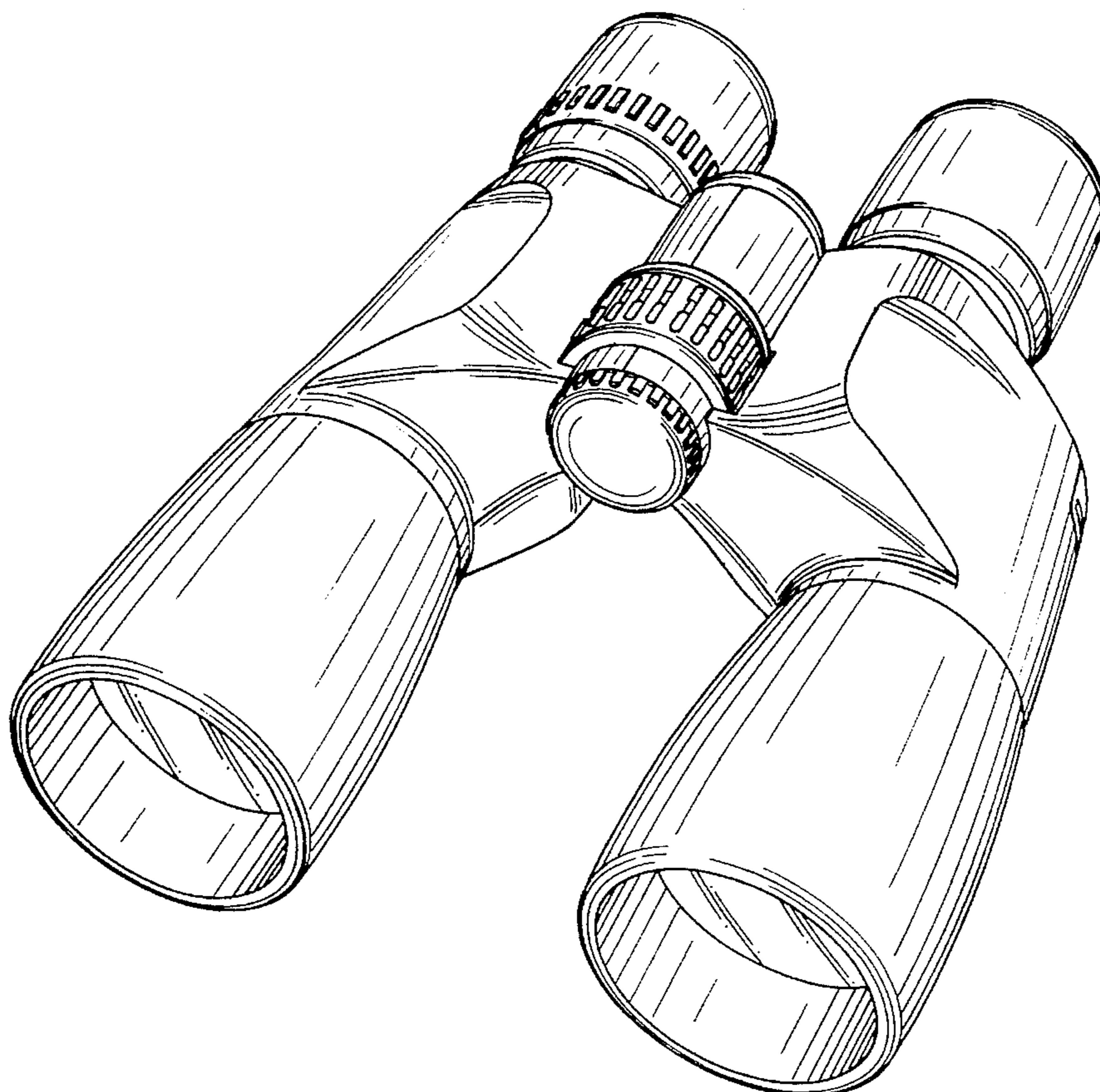


FIG. 1

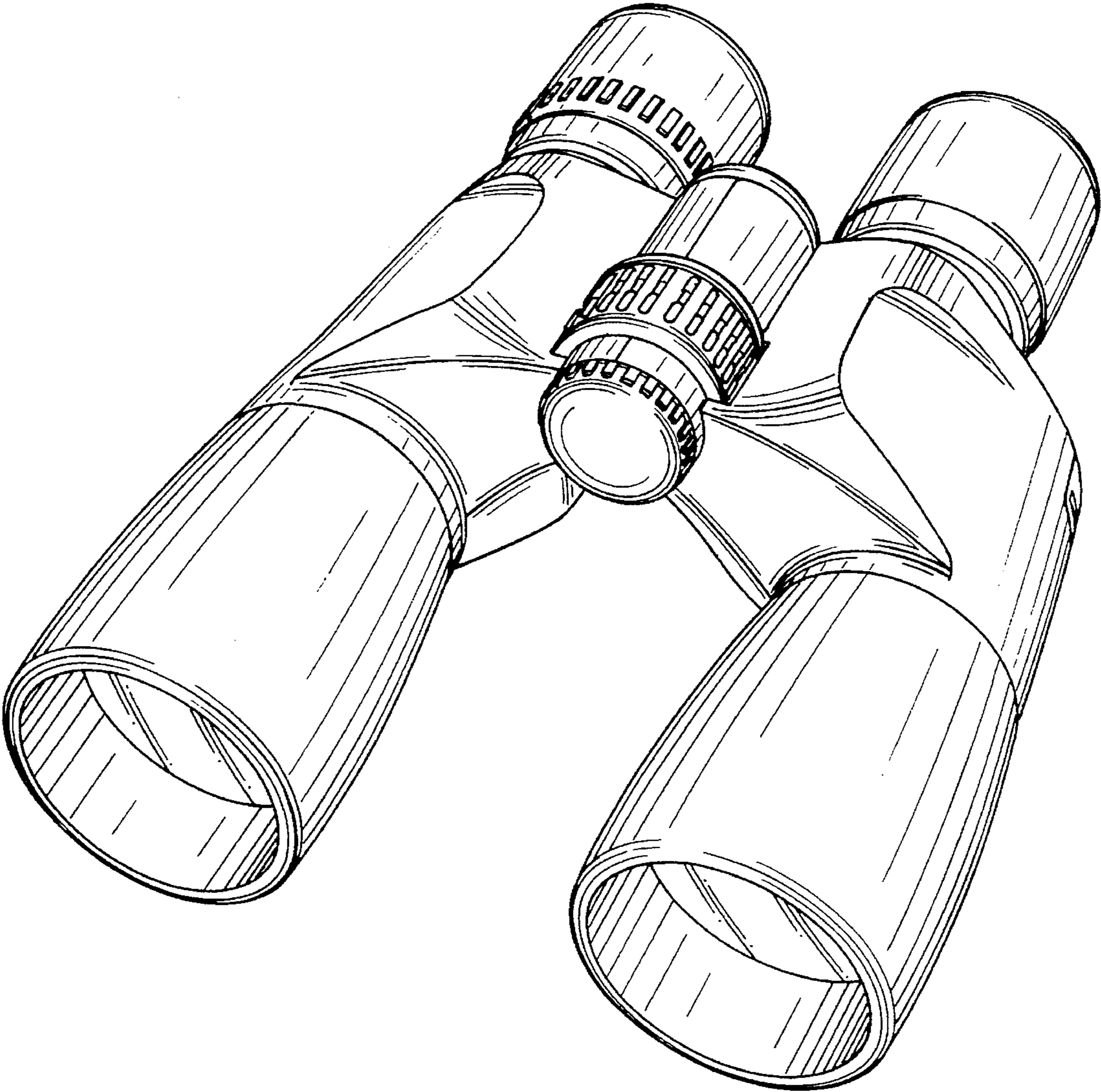


FIG. 2

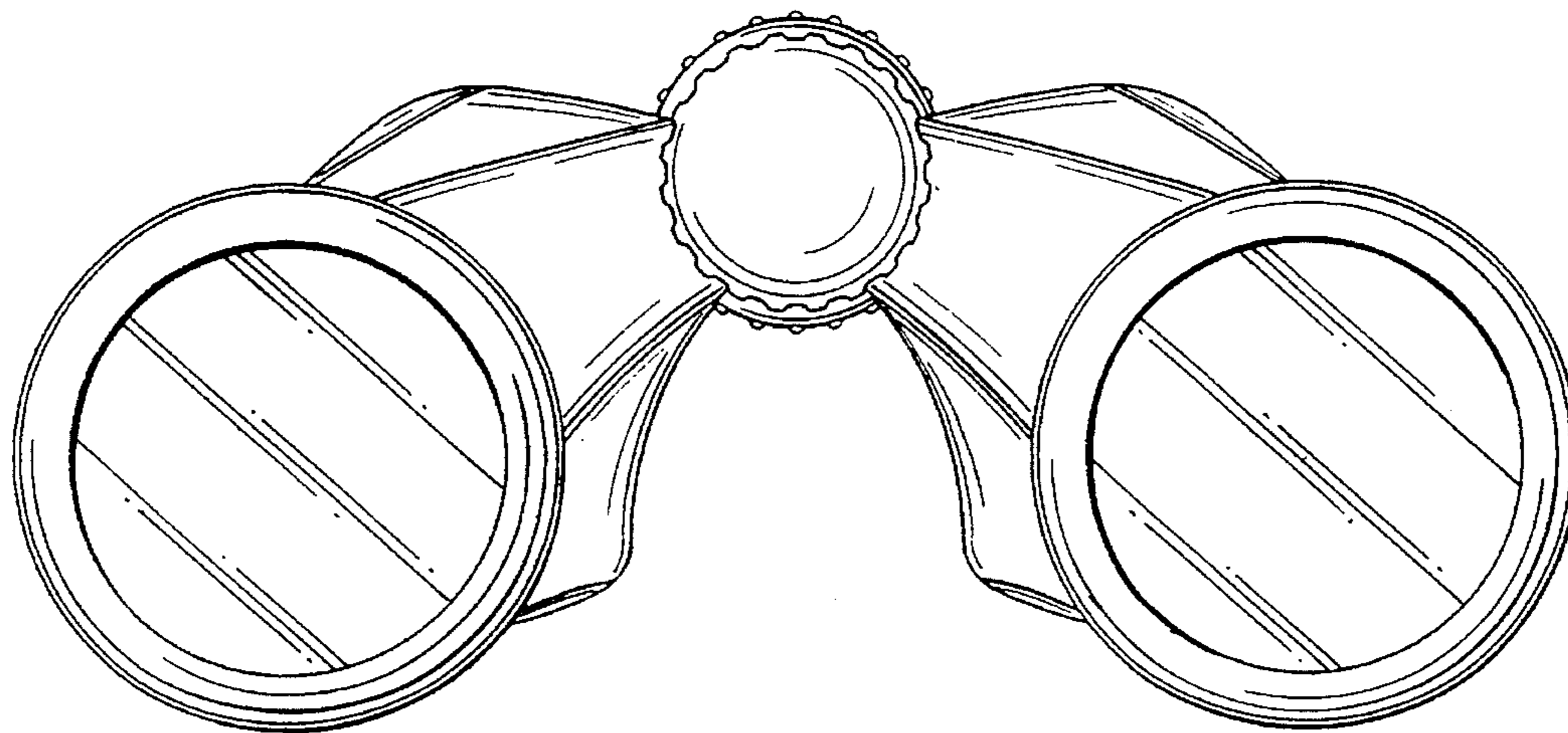


FIG. 3

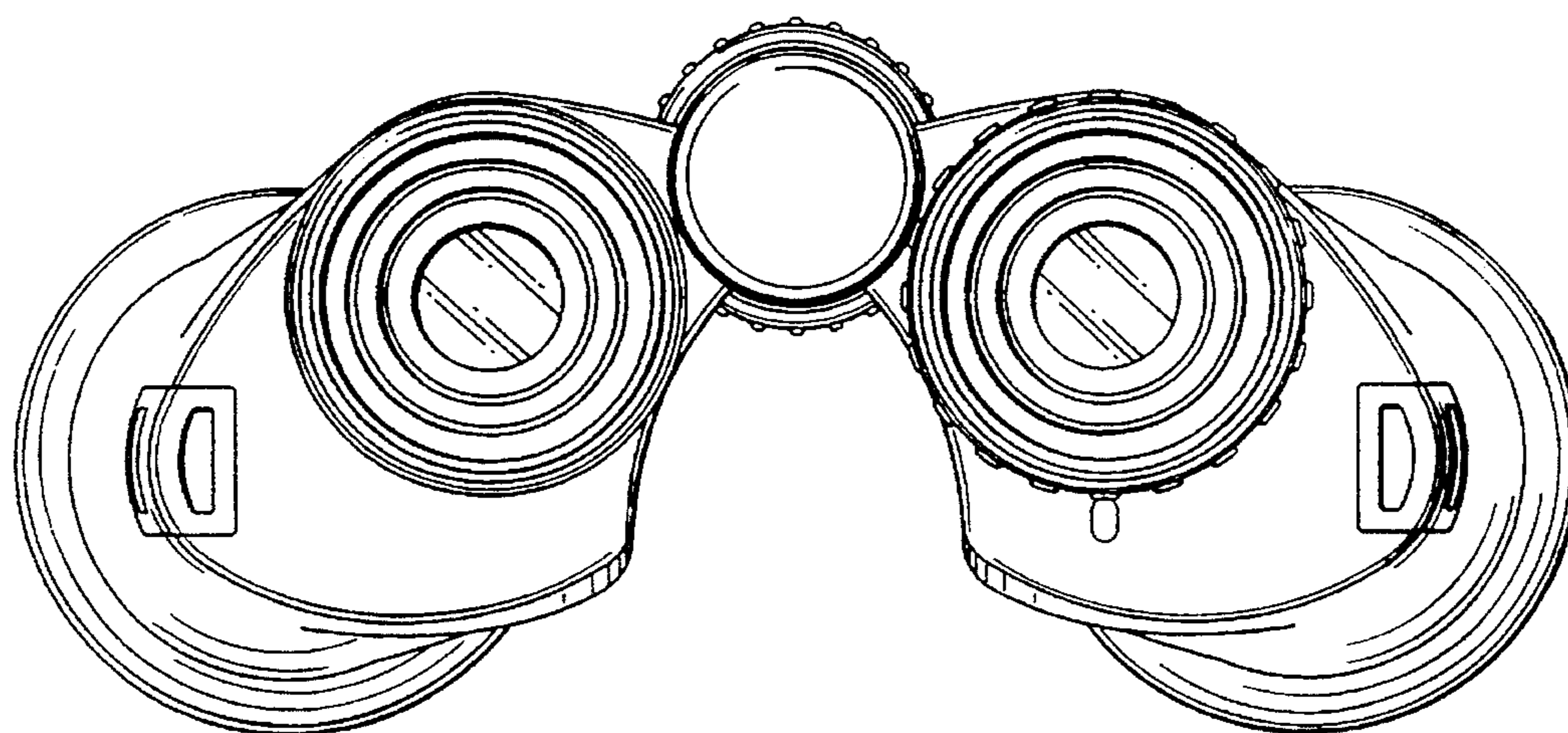


FIG. 4

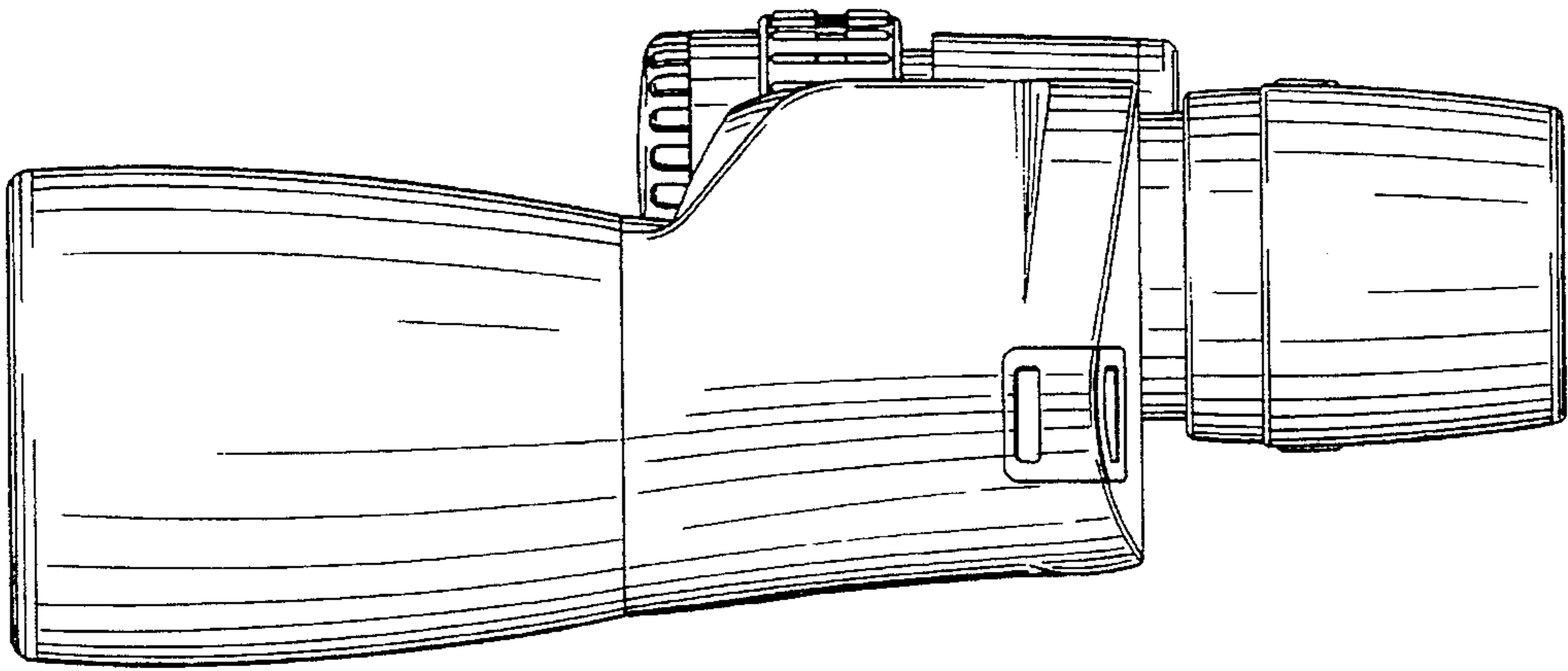


FIG. 5

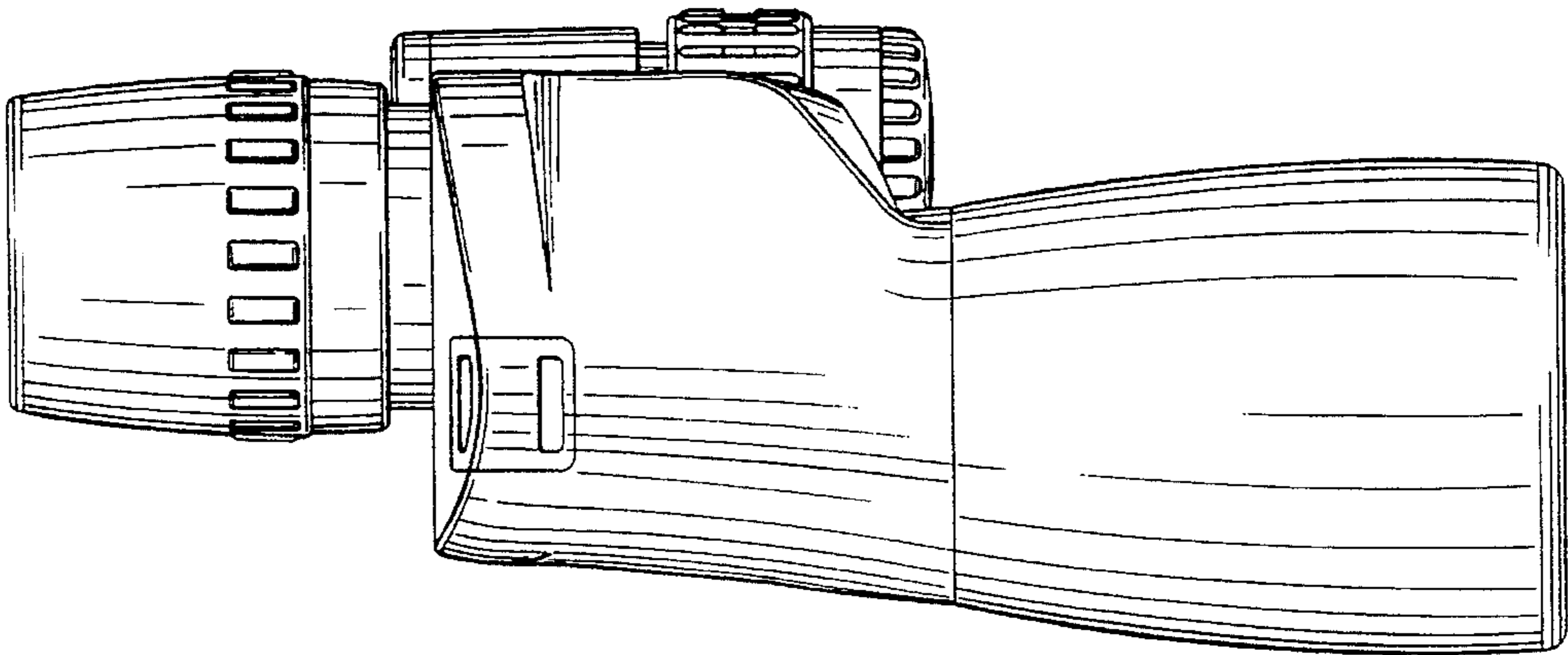


FIG. 6

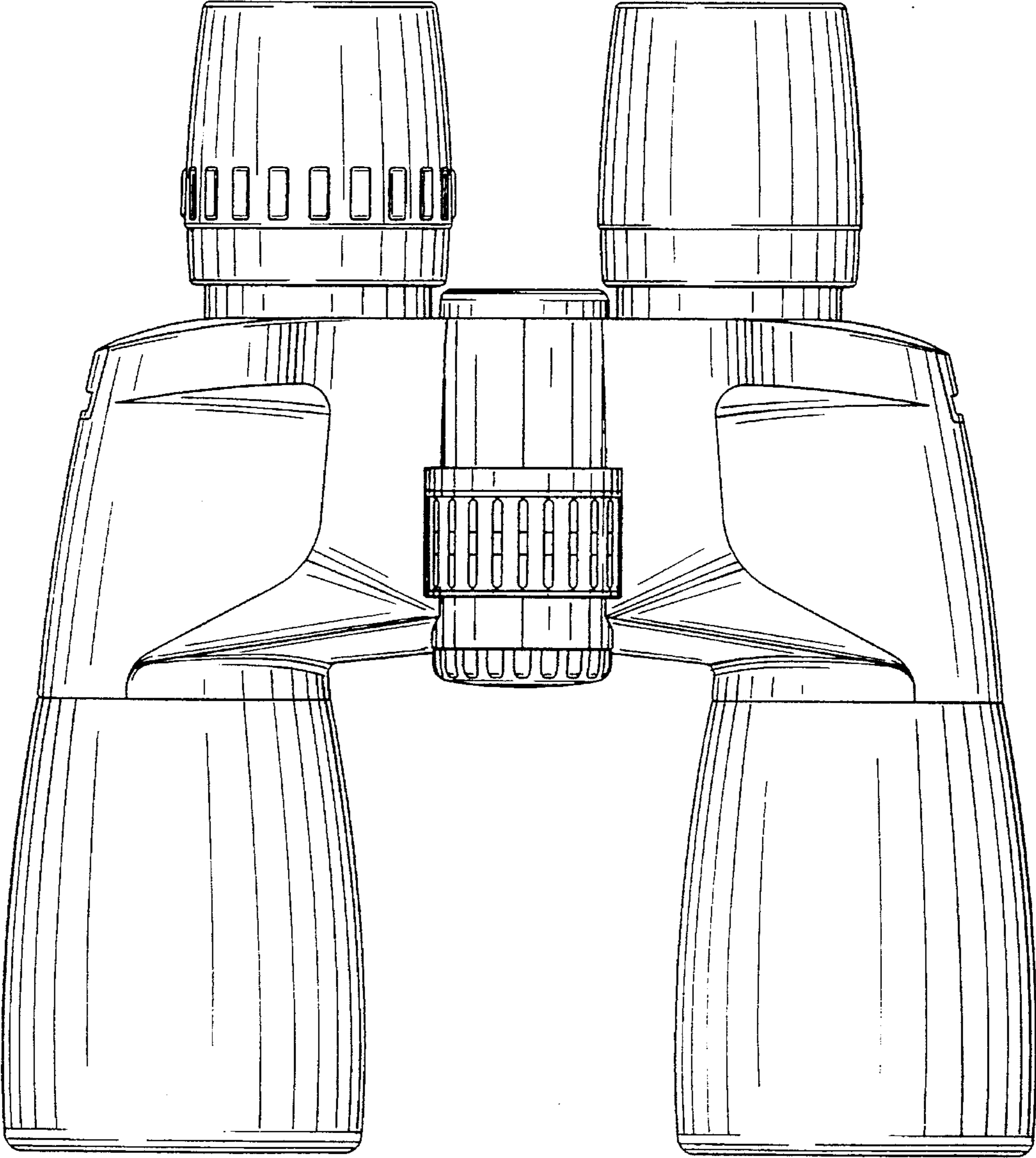


FIG. 7

