



US00D378214S

United States Patent [19]
Ikumi

[11] **Patent Number: Des. 378,214**

[45] **Date of Patent: **Feb. 25, 1997**

[54] **CYLINDER**

3,005,669 10/1961 Nunnemacher 92/161
4,825,746 5/1989 Herner 92/88 X
5,477,774 12/1995 Ikumi .

[75] Inventor: **Taishi Ikumi**, Ibaraki-ken, Japan

[73] Assignee: **SMC Kabushiki Kaisha**, Tokyo, Japan

[**] Term: **14 Years**

Primary Examiner—Antoine Duval Davis
Attorney, Agent, or Firm—Oblon, Spivak, McClelland,
Maier & Neustadt

[21] Appl. No.: **51,735**

[57] **CLAIM**

[22] Filed: **Mar. 18, 1996**

The ornamental design for a cylinder, as shown.

[30] **Foreign Application Priority Data**

DESCRIPTION

Sep. 22, 1995 [JP] Japan 7-28313

[52] **U.S. Cl.** **D15/7; D15/143**

[58] **Field of Search** D15/7, 143; 91/275;
92/88, 5 R, 165 R, 146, 161; 277/DIG. 7;
384/43, 49; 417/403, 404

FIG. 1 is a top plan view of a cylinder, showing our new design;

FIG. 2 is a front view thereof;

FIG. 3 is a back plan view thereof;

FIG. 4 is a left side view thereof;

FIG. 5 is a right side view thereof; and,

FIG. 6 is a perspective view thereof.

[56] **References Cited**

U.S. PATENT DOCUMENTS

D. 370,683 6/1996 Stahlman et al. D15/7

1 Claim, 3 Drawing Sheets

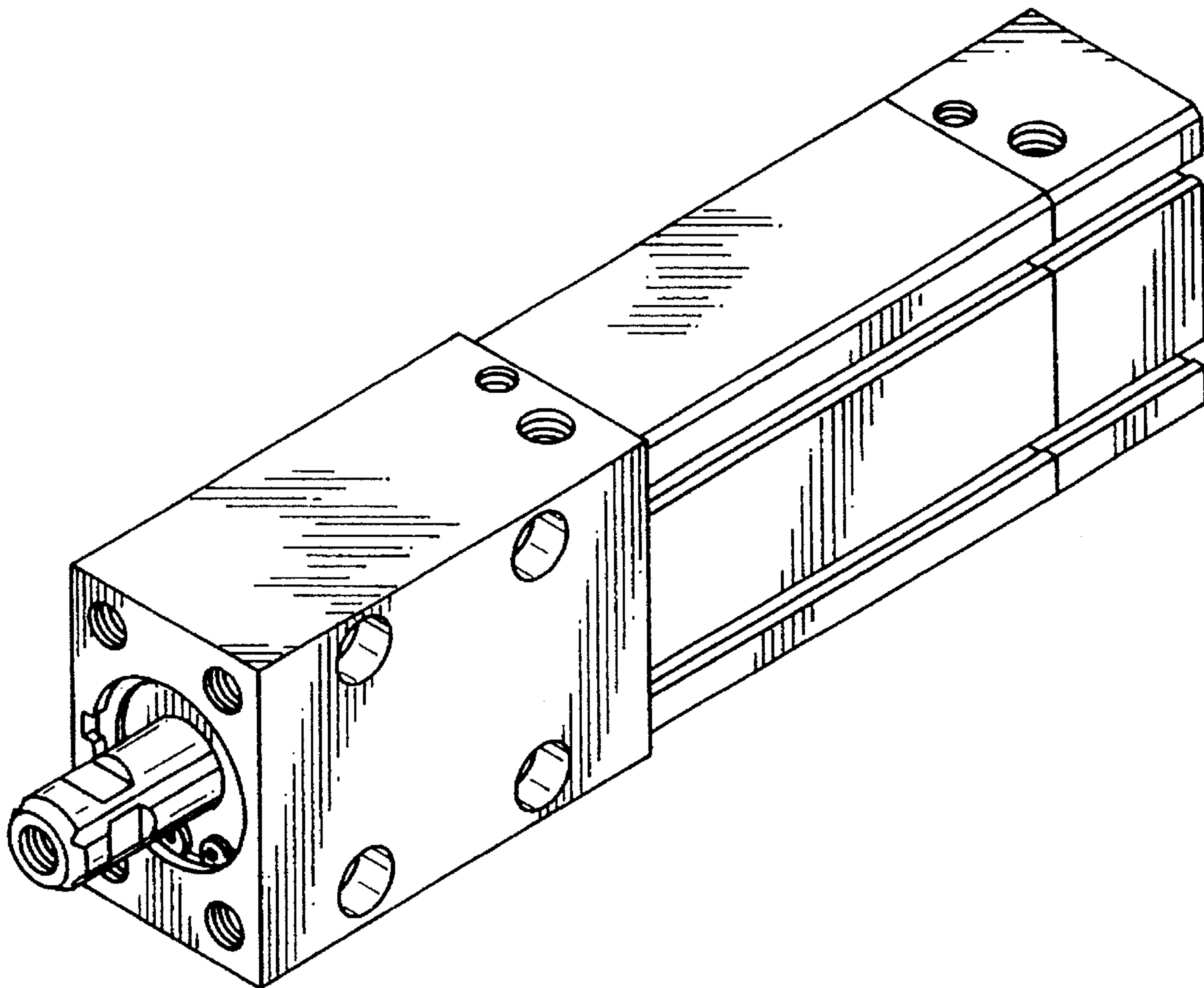


FIG.1

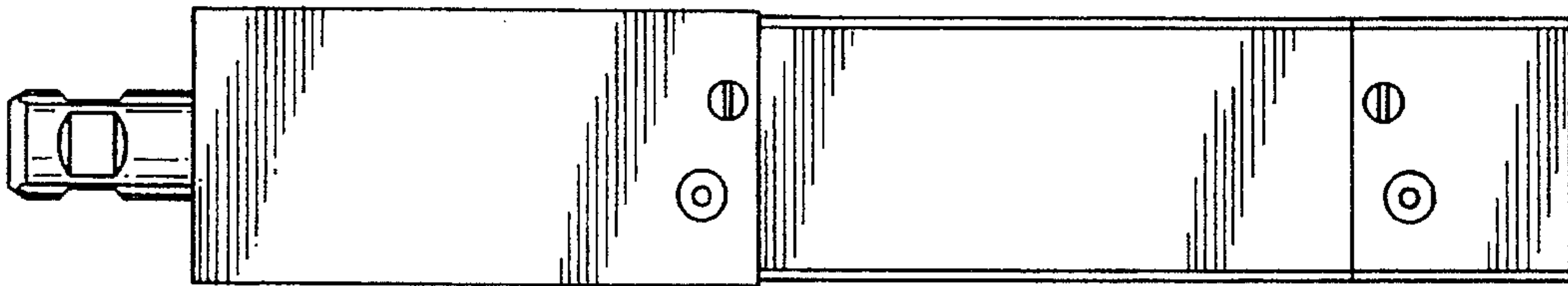


FIG.2

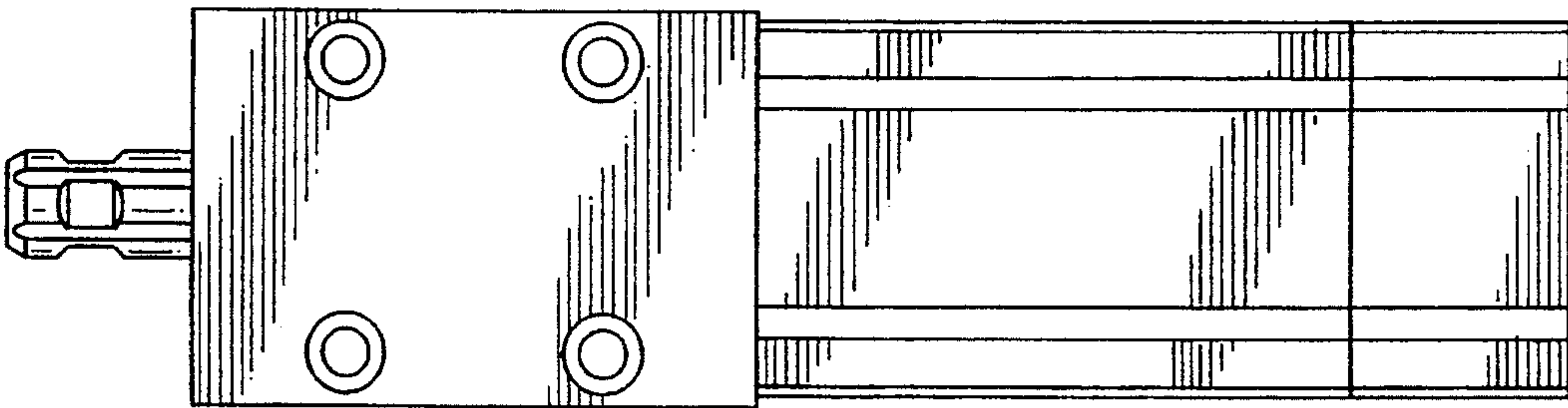


FIG.3

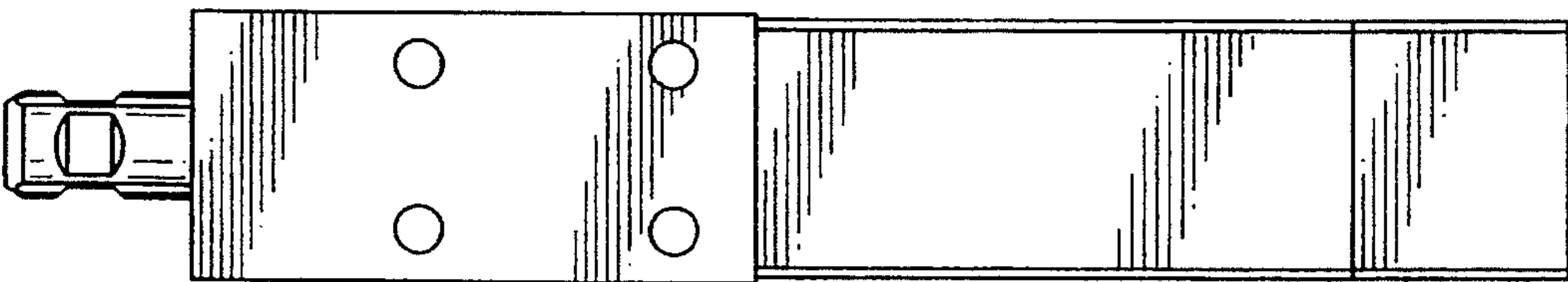


FIG.4

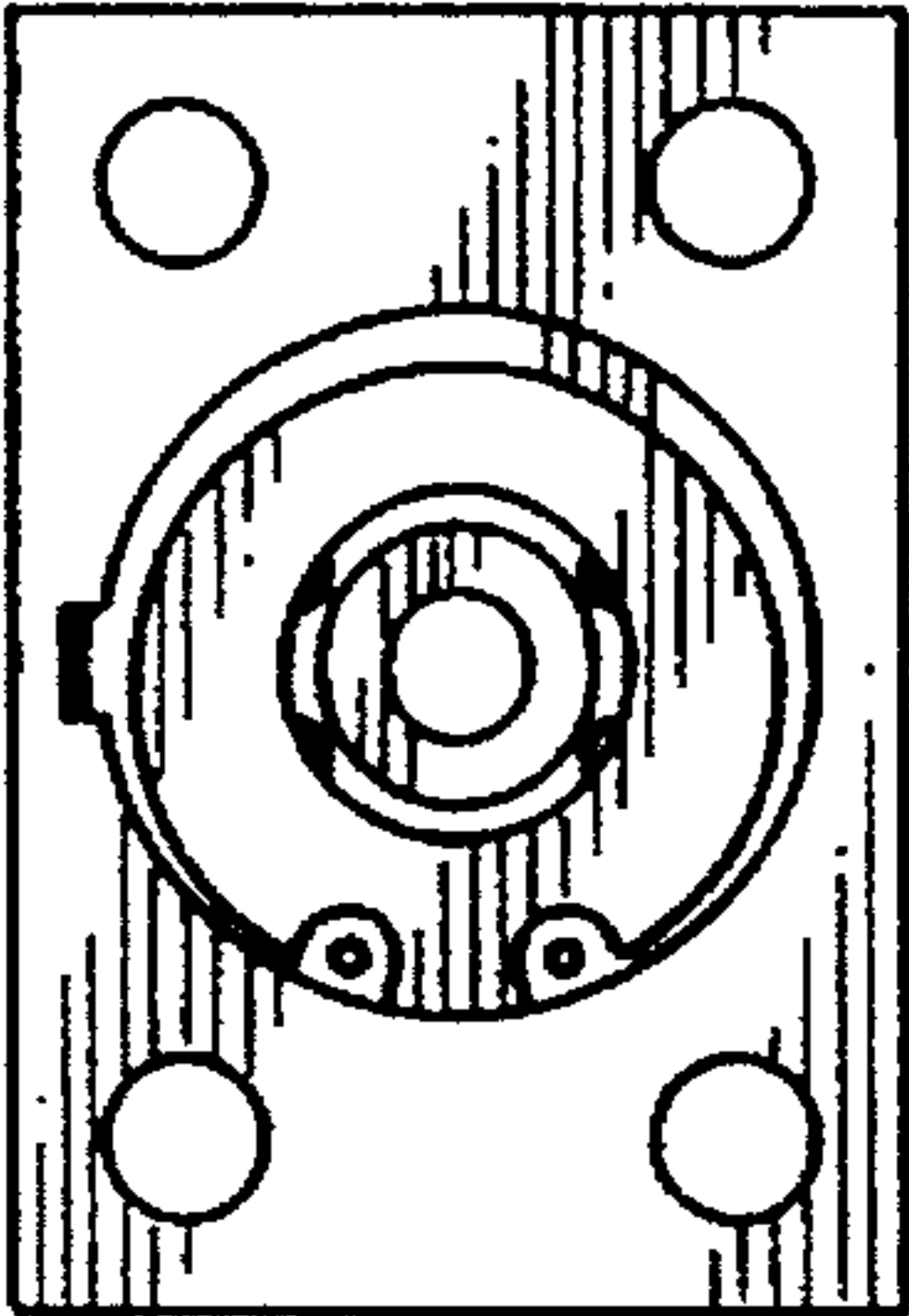


FIG.5

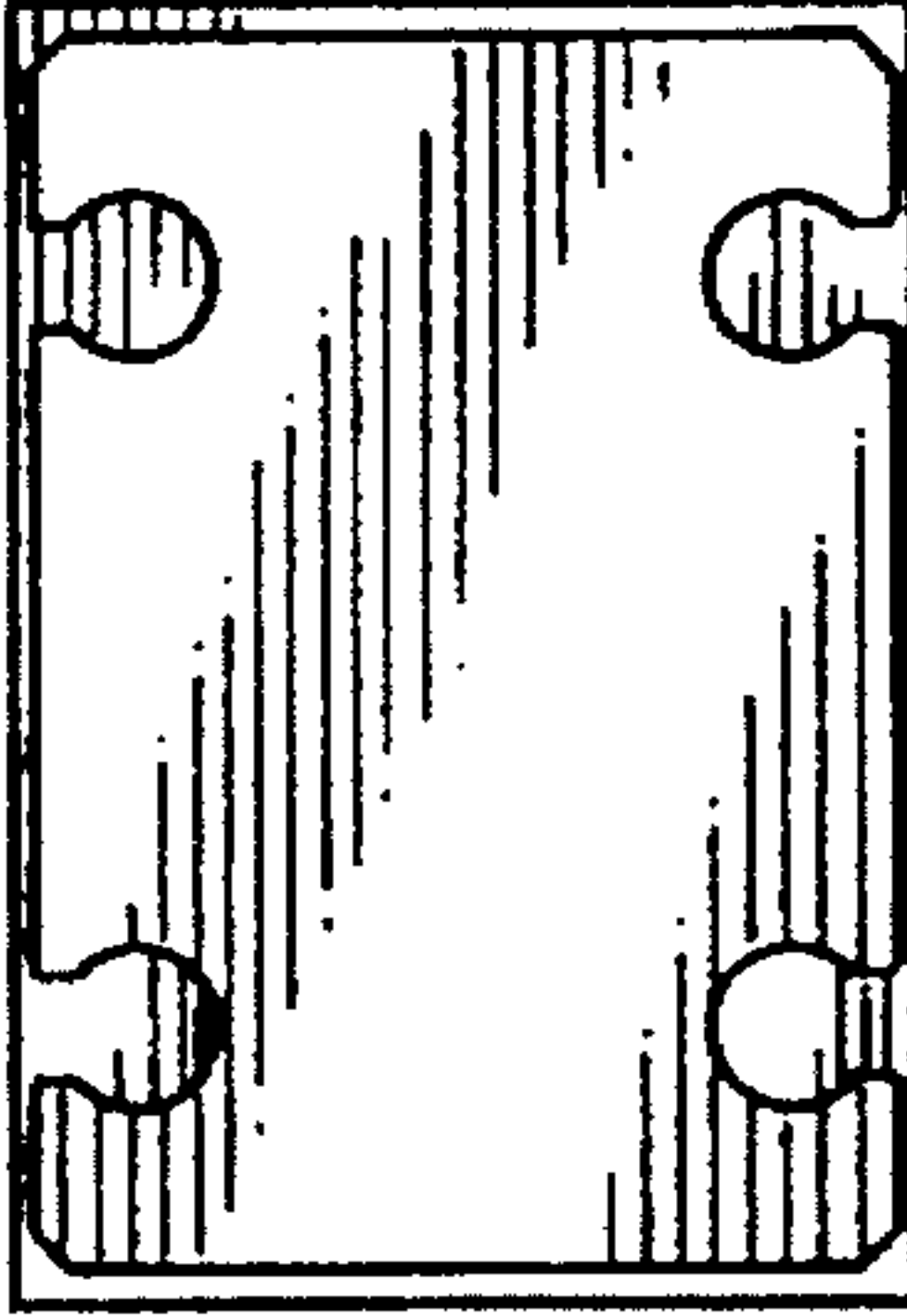


FIG.6

