



US00D378209S

United States Patent [19]

Morikawa et al.

[11] Patent Number: **Des. 378,209**

[45] Date of Patent: ****Feb. 25, 1997**

[54] **PLUG FOR CABLE CONNECTOR**

[75] Inventors: **Seiichi Morikawa; Naoyuki Ono**, both of Tokyo, Japan

[73] Assignees: **Sony Corporation; SMK Corporation**, both of Tokyo, Japan

[**] Term: **14 Years**

[21] Appl. No.: **44,314**

[22] Filed: **Sep. 22, 1995**

[30] **Foreign Application Priority Data**

Mar. 29, 1995 [JP] Japan 7-8315

[52] U.S. Cl. **D13/147; D13/133**

[58] Field of Search D13/146, 147; 439/344, 676, 607, 620

[56] **References Cited**

U.S. PATENT DOCUMENTS

4,810,210 3/1989 Komatsu 439/610

4,981,447	1/1991	Ichitsubo	439/607
5,397,246	3/1995	DeFibaugh et al.	439/352
5,425,657	6/1995	Davis et al.	439/610
5,518,421	5/1996	Davis	439/607

Primary Examiner—Joel Sincavage
Attorney, Agent, or Firm—Nikaido, Marmelstein, Murray & Oram LLP

[57] **CLAIM**

The ornamental design for plug for cable connector, as shown and described.

DESCRIPTION

FIG. 1 is a perspective view of the plug for cable connector showing my new design;
FIG. 2 is a front elevational view thereof;
FIG. 3 is a rear elevational view thereof;
FIG. 4 is a top plan view thereof;
FIG. 5 is a bottom plan view thereof; and,
FIG. 6 is a right side elevational view thereof.

1 Claim, 2 Drawing Sheets

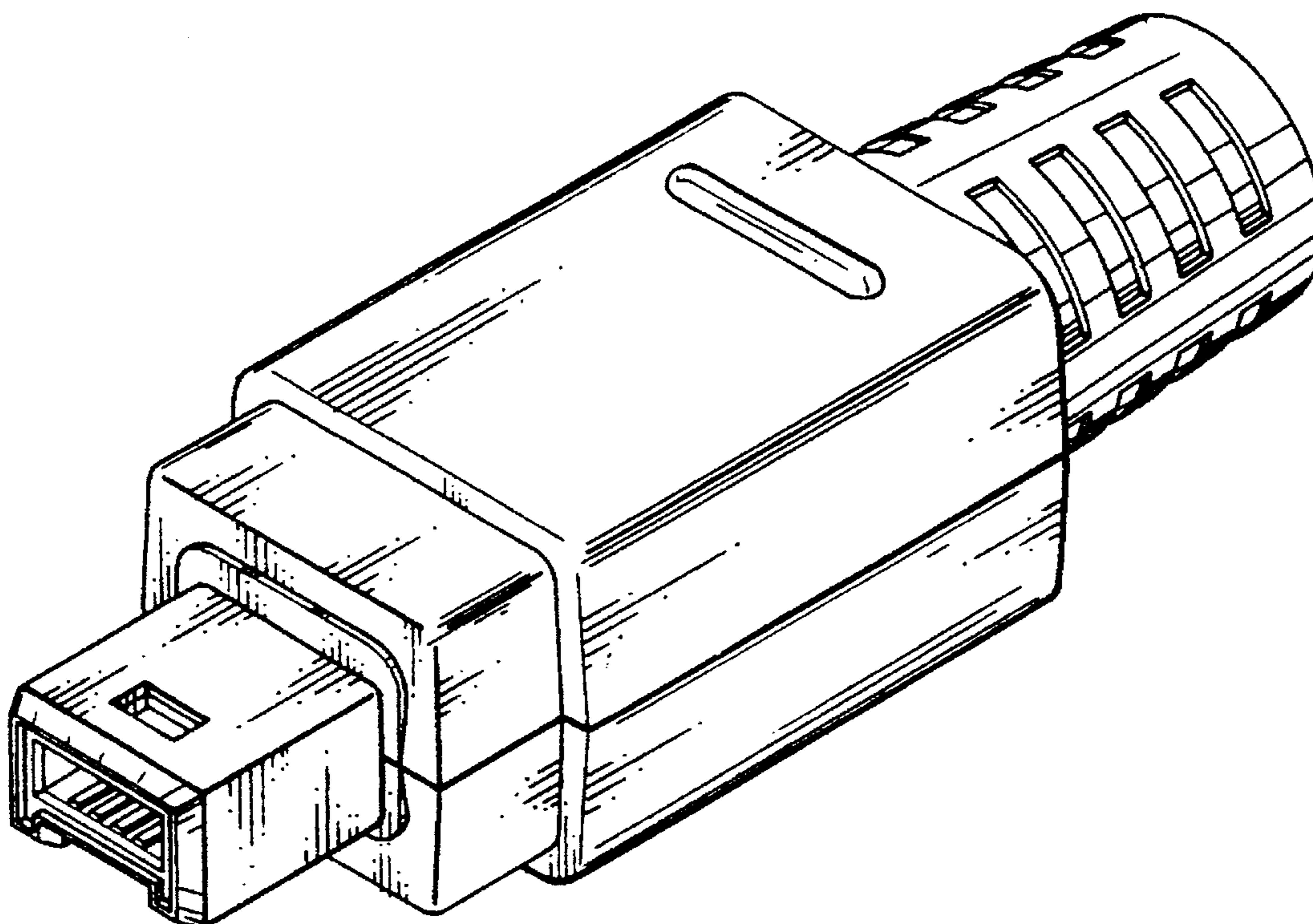


FIG. 1

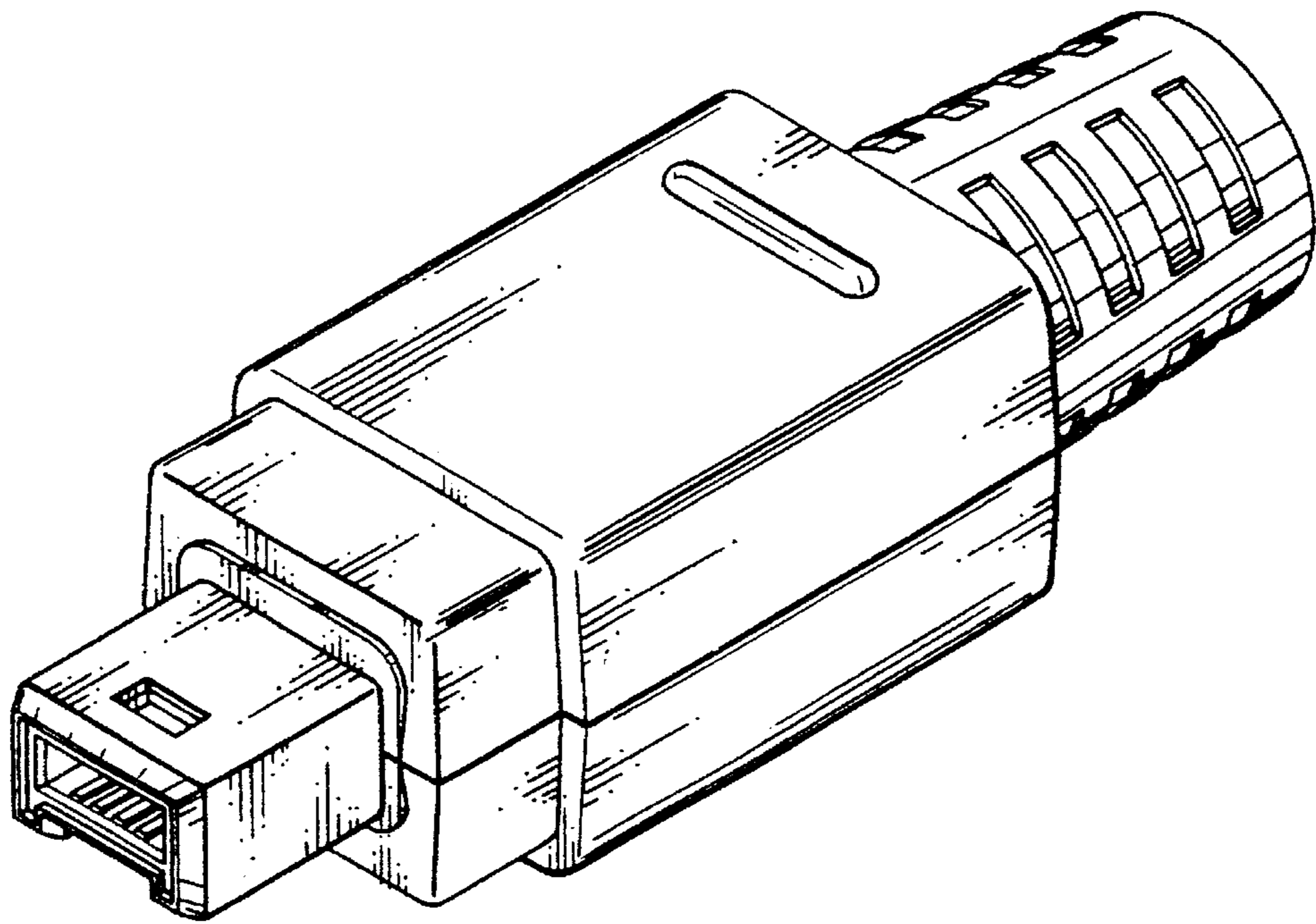


FIG. 2

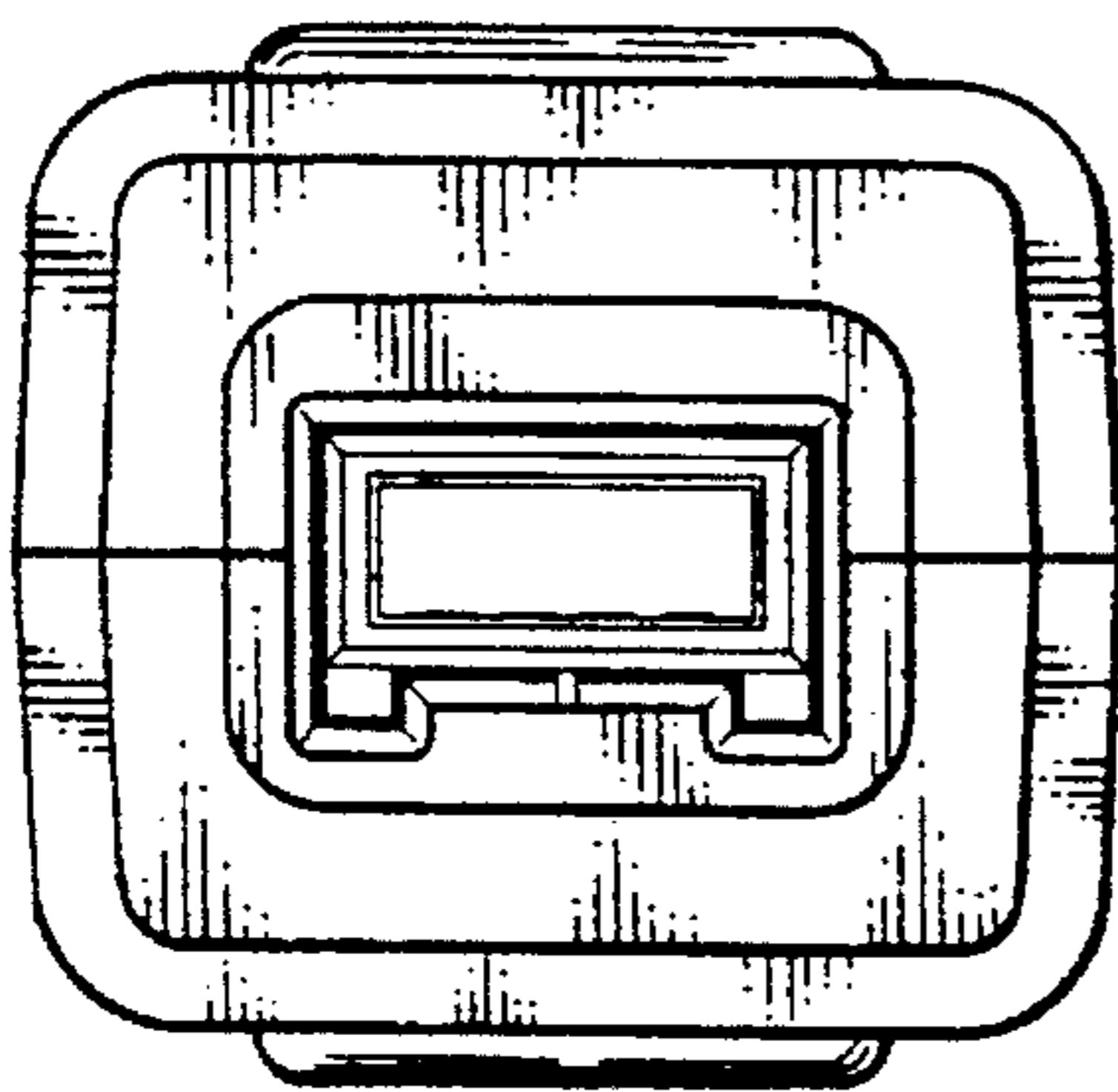


FIG. 3

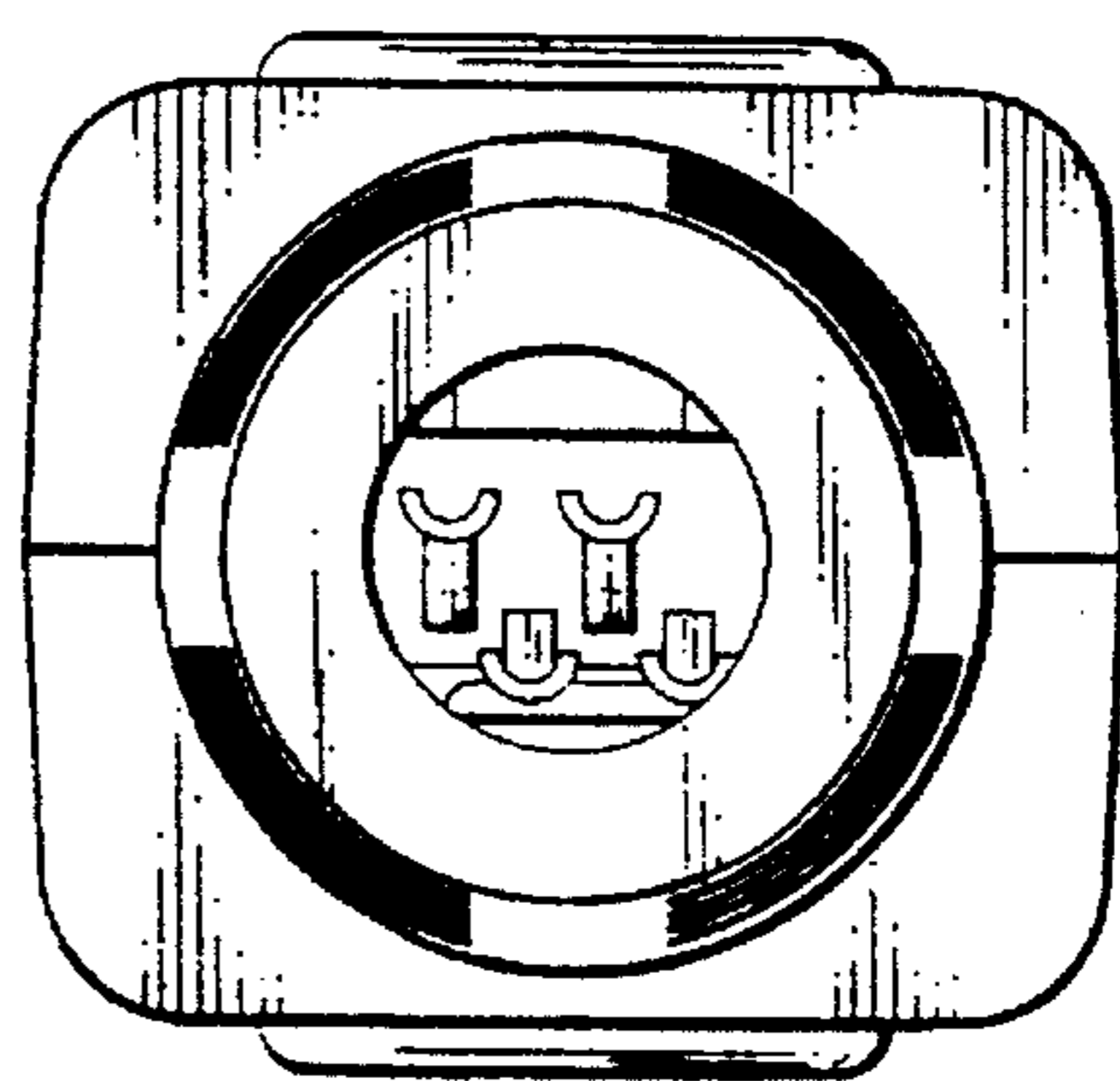


FIG. 4

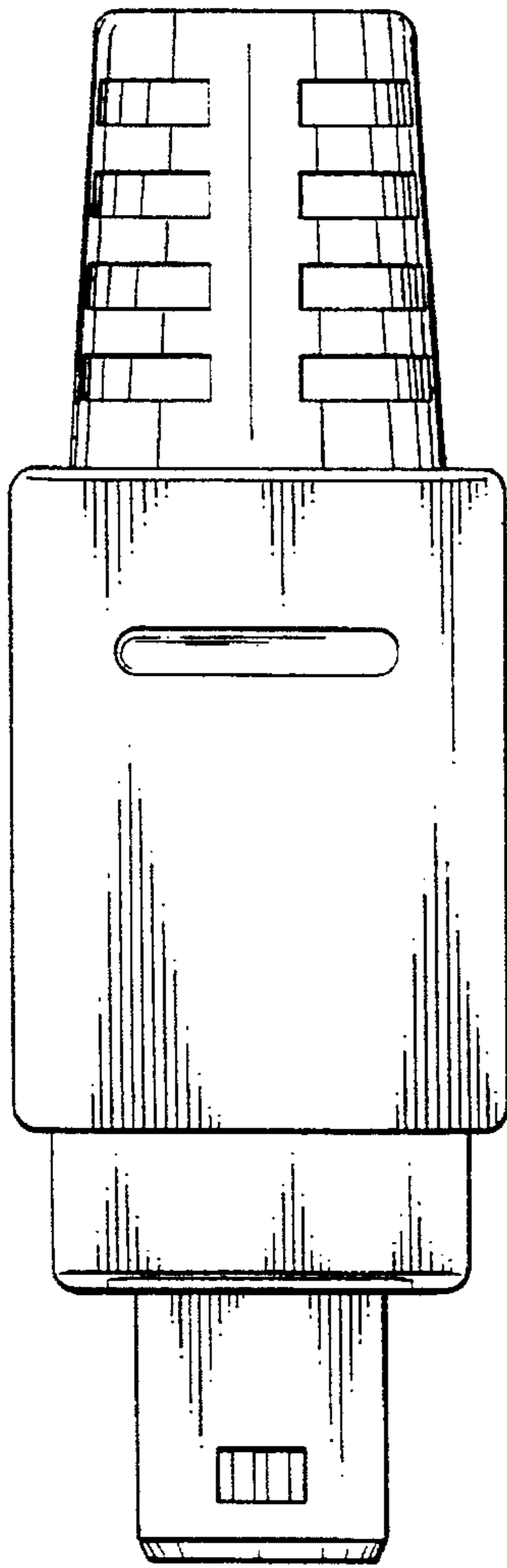


FIG. 5

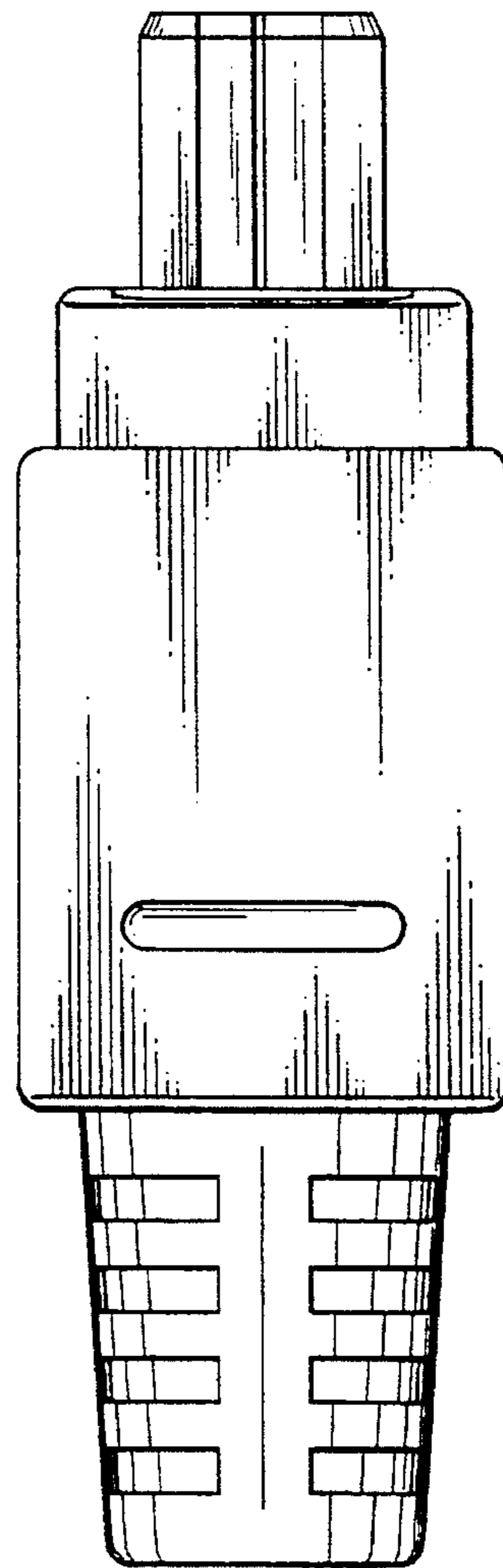


FIG. 6

