



US00D378207S

# United States Patent [19]

Wu et al.

[11] Patent Number: **Des. 378,207**

[45] Date of Patent: **\*\*Feb. 25, 1997**

[54] DATA CONNECTOR

4,641,901 2/1987 Brennan et al. .... 439/344  
4,767,355 8/1988 Phillipson et al. .... 439/676 X

[75] Inventors: **Kan-Shu Wu**, Taipei; **Jin-Rei Tsai**, 30, Menan Villa, Chiko, Chiayi County, Taiwan 62304, both of Taiwan

*Primary Examiner*—Susan J. Lucas  
*Assistant Examiner*—J. Sincavage  
*Attorney, Agent, or Firm*—Jacobson, Price, Holman & Stern

[73] Assignees: **Jin-Rei Tsai**, Taipei, Taiwan; **Douglas Hugh Knox**, Mississauga, Canada

## [57] CLAIM

[\*\*] Term: **14 Years**

The ornamental design for a data connector, as shown and described.

[21] Appl. No.: **529,269**

## DESCRIPTION

[22] Filed: **May 30, 1990**

[52] U.S. Cl. .... **D13/147; D14/256**

[58] Field of Search ..... D13/133, 147;  
D14/240, 256; 439/344, 345, 350, 355,  
595, 668, 676

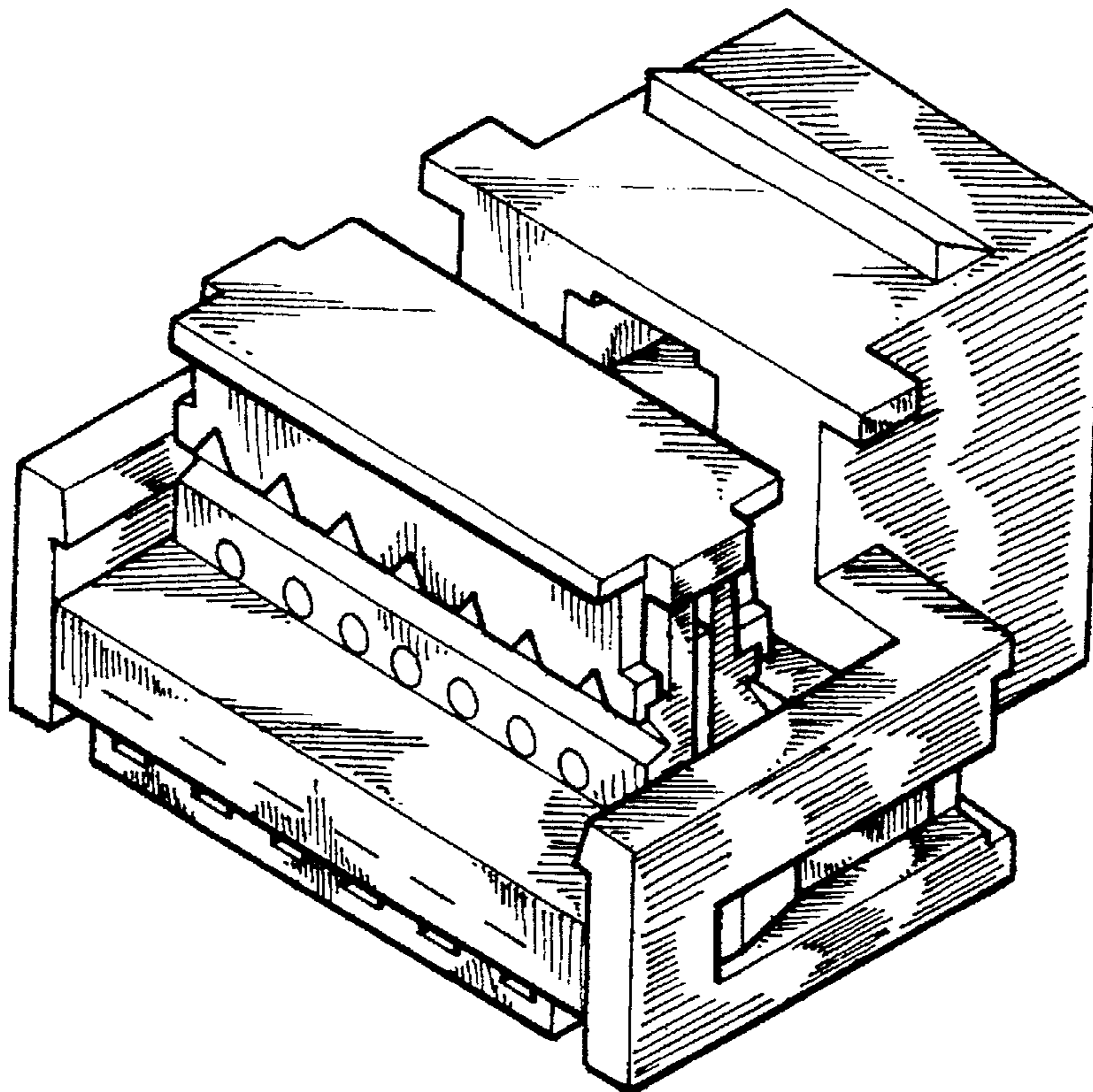
FIG. 1 is a front and upper right exploded perspective view of a data connector showing our new design;  
FIG. 2 is a front and upper right perspective view of an assembled data connector showing our new design;  
FIG. 3 is a left side elevational view thereof;  
FIG. 4 is a front elevational view thereof;  
FIG. 5 is a rear elevational view thereof;  
FIG. 6 is a top plan view thereof; and,  
FIG. 7 is a bottom plan view thereof.

## [56] References Cited

### U.S. PATENT DOCUMENTS

D. 309,725 8/1990 O'Grady ..... D13/133  
4,516,822 3/1985 Wolfel ..... 439/668 X

**1 Claim, 5 Drawing Sheets**



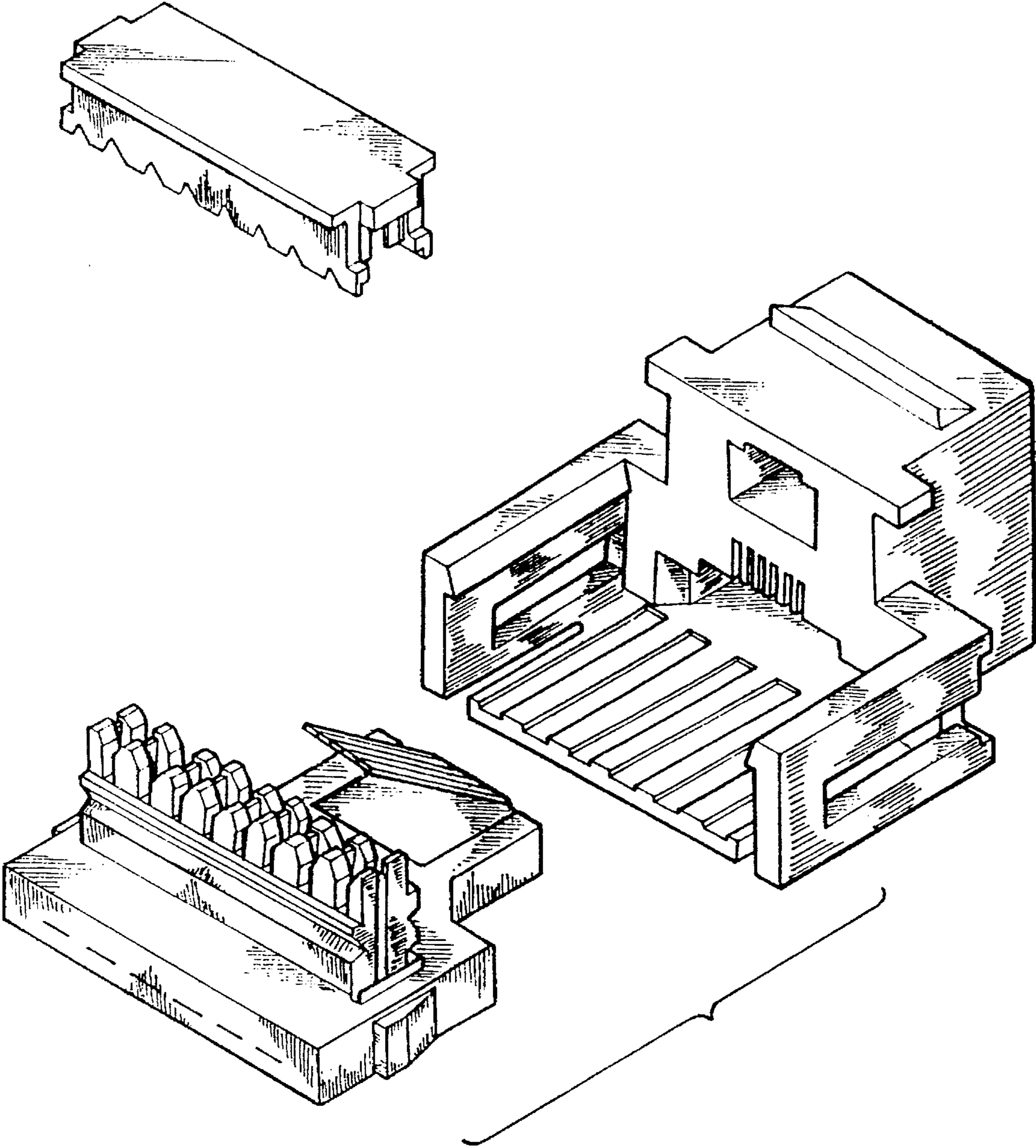


FIG. 1

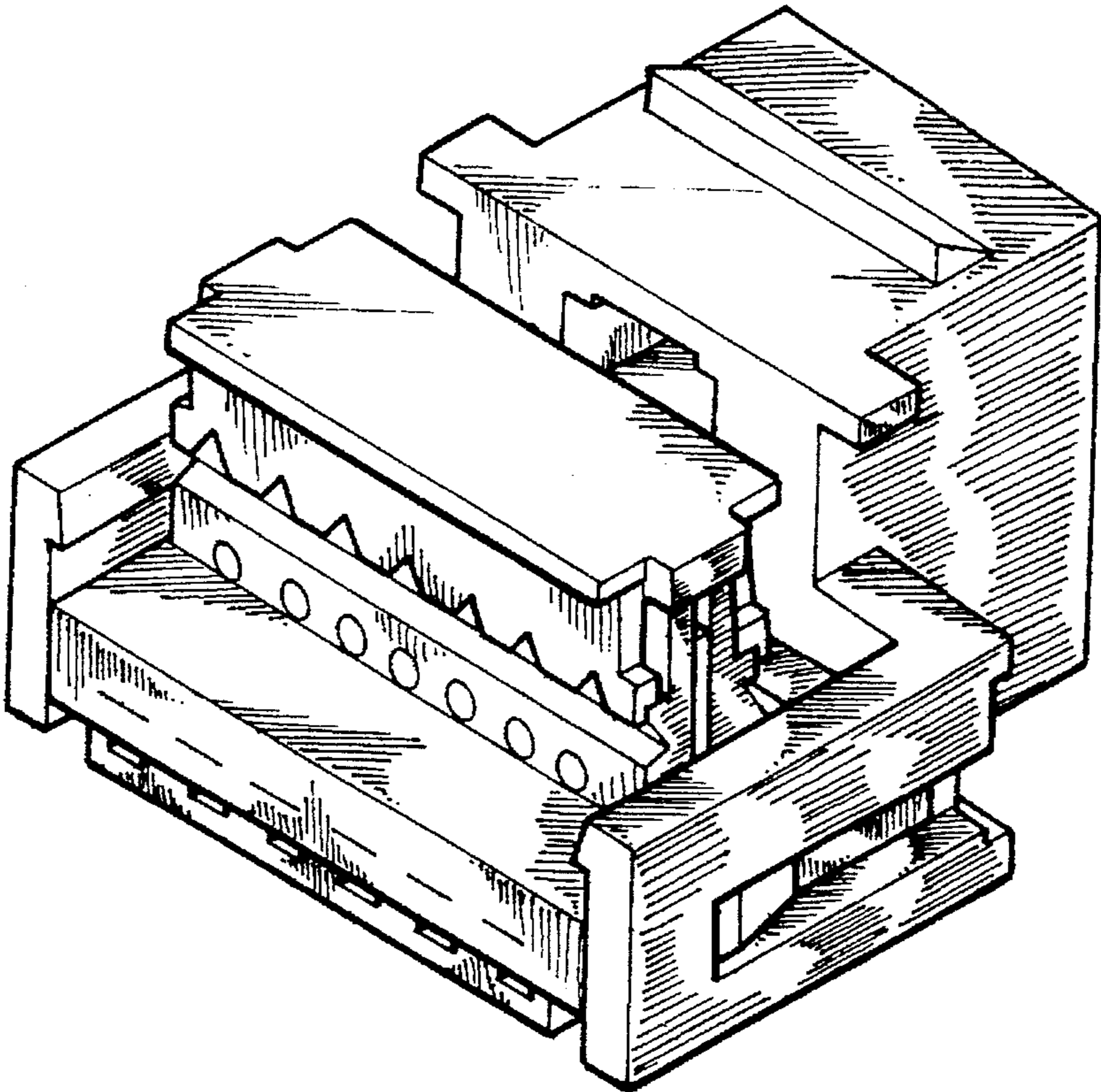


FIG. 2

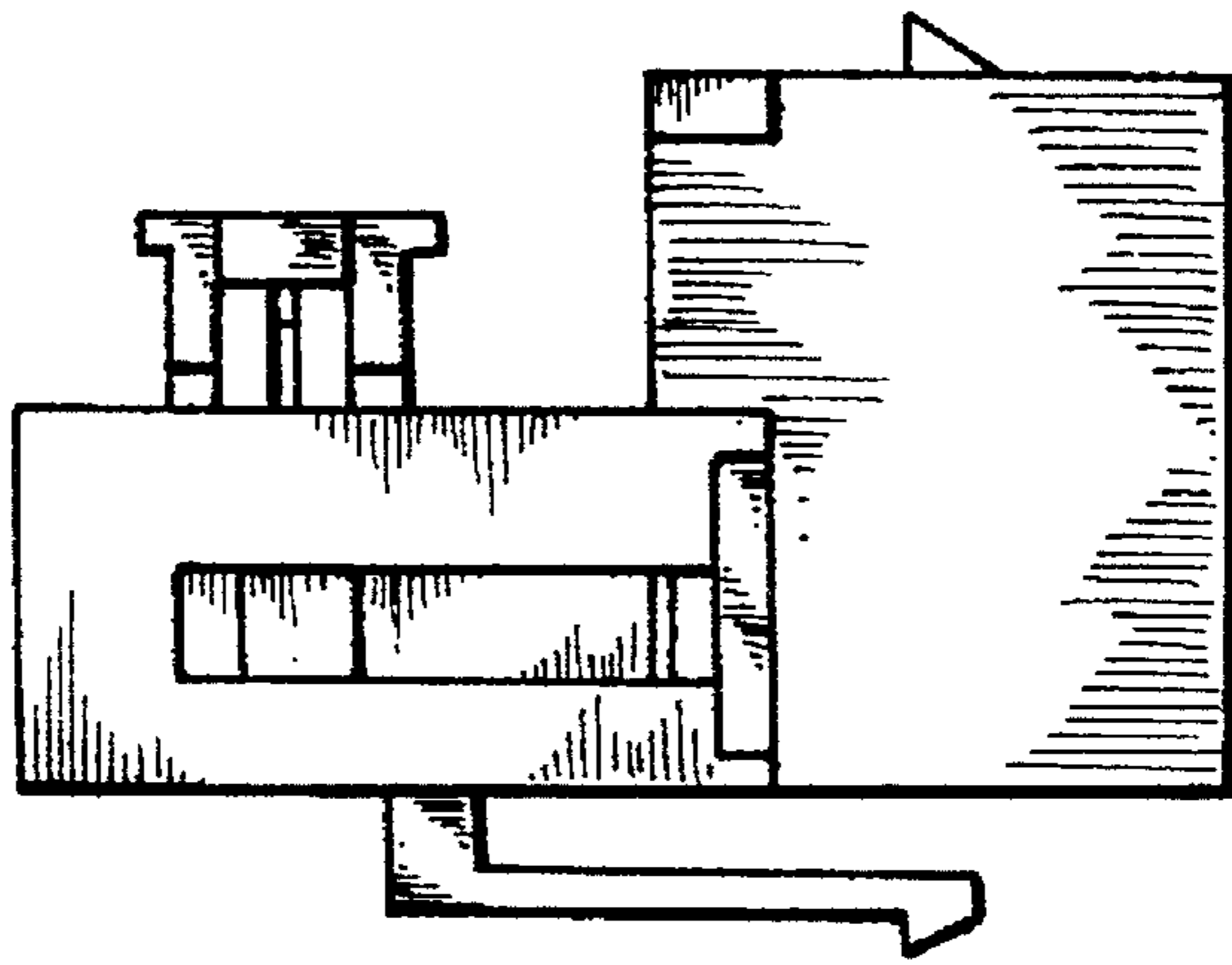


FIG. 3

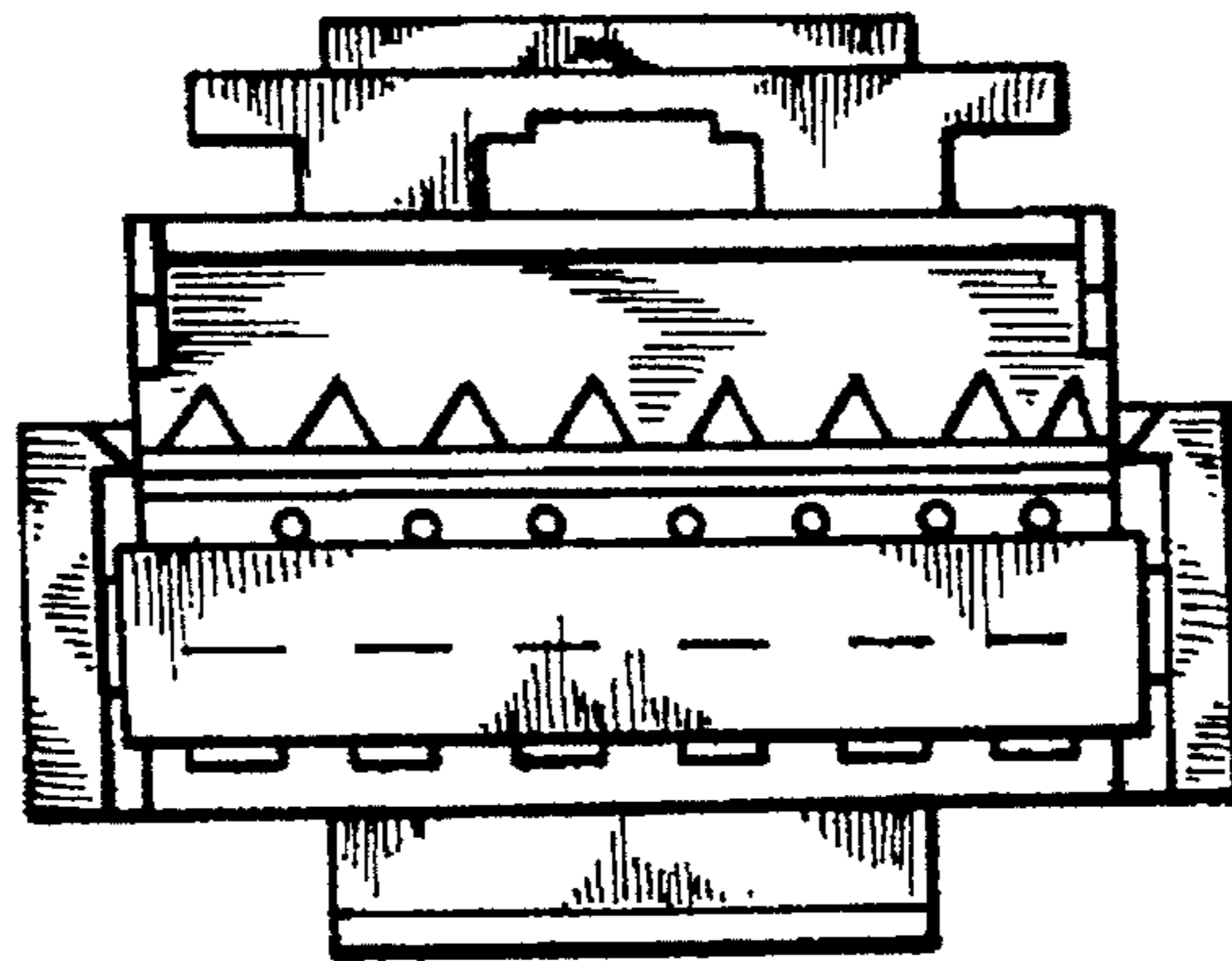


FIG. 4

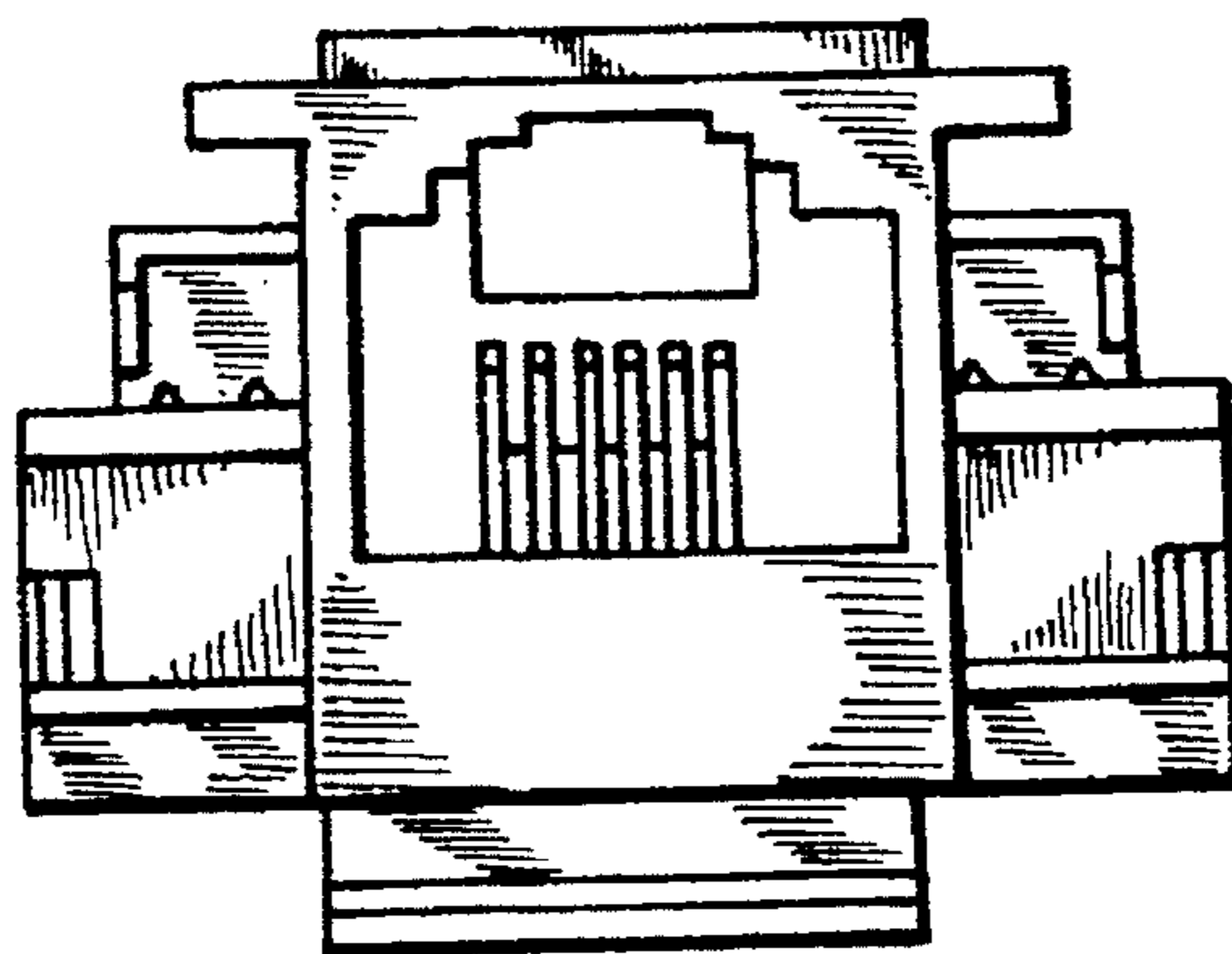


FIG. 5

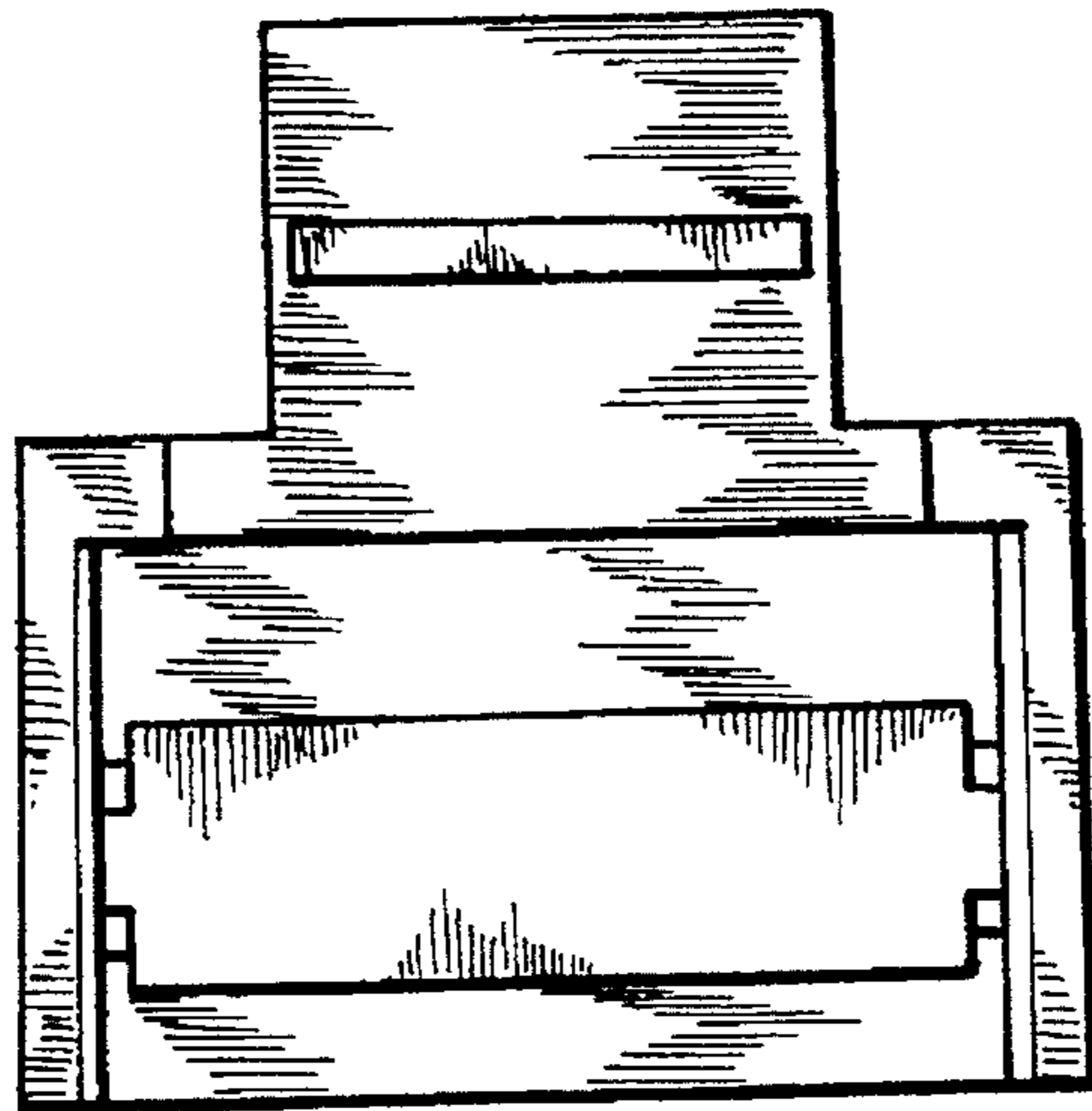


FIG. 6

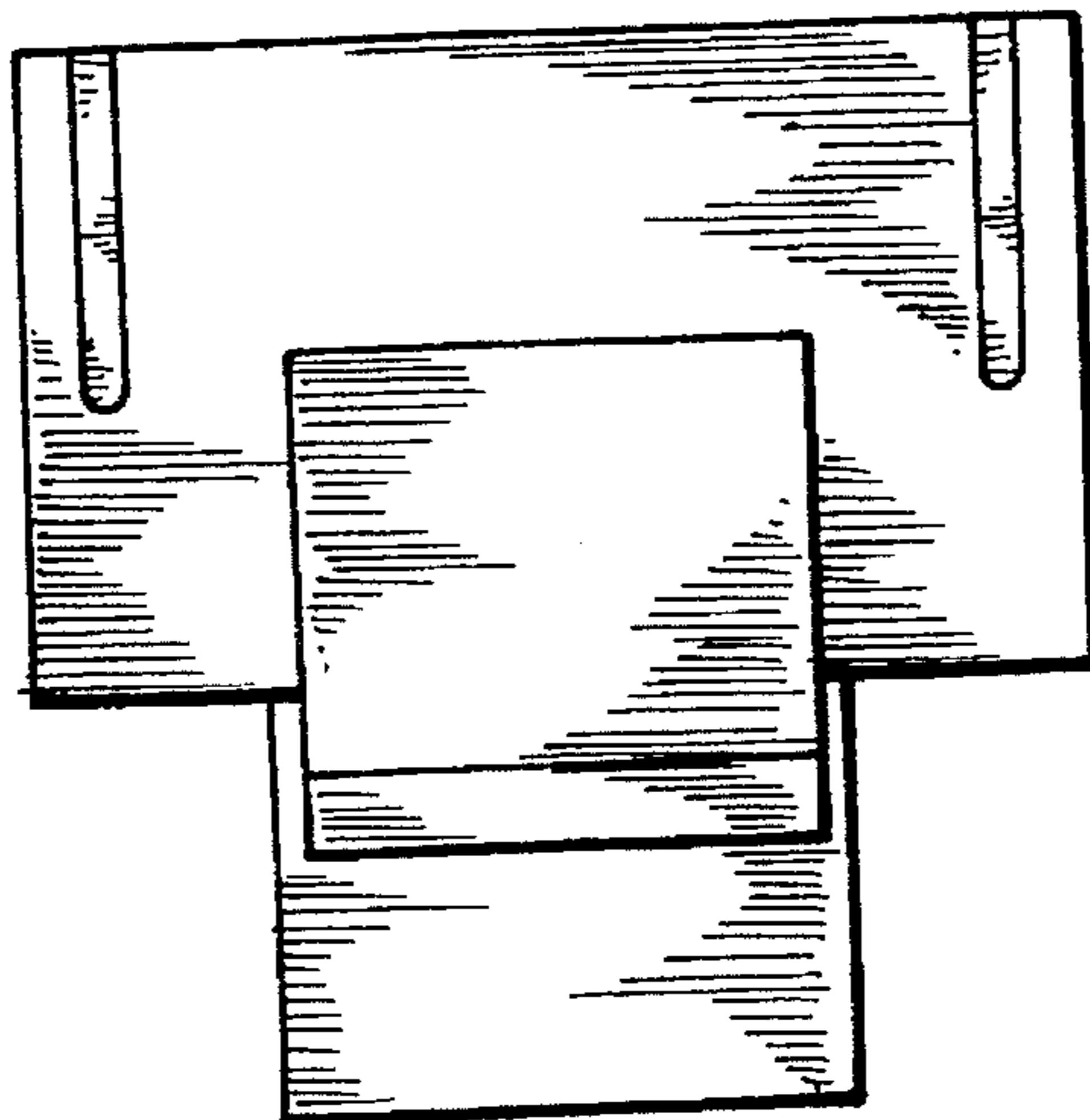


FIG. 7