



US00D378205S

United States Patent [19]
Hiltz, Jr.

[11] **Patent Number: Des. 378,205**

[45] **Date of Patent: **Feb. 25, 1997**

[54] **KICKSTAND SUPPORT PAD**

4,768,800 9/1988 Johns 280/293

[76] Inventor: **Manly L. Hiltz, Jr.**, R.R. 6 Box 3280,
Gardiner, Me. 04345

Primary Examiner—James M. Gandy
Assistant Examiner—M. Brown
Attorney, Agent, or Firm—Stan R. Jones

[**] Term: **14 Years**

[57] **CLAIM**

[21] Appl. No.: **18,677**

The ornamental design for a kickstand support pad, as shown and described.

[22] Filed: **Feb. 14, 1994**

[52] U.S. Cl. **D12/120**

[58] Field of Search D12/120; 280/293,
280/301

DESCRIPTION

[56] **References Cited**

U.S. PATENT DOCUMENTS

D. 306,419	3/1990	Merritt	D12/120
D. 348,861	7/1994	Thomas	D12/120
3,955,829	5/1976	Bussler	280/301
3,970,330	7/1976	Norcross	280/301
4,241,933	12/1980	Gratza et al.	280/301
4,474,387	10/1984	Maranell et al.	280/293
4,521,031	4/1985	Huth	280/293

FIG. 1 is a top plan view of the kickstand support pad, showing my new design;
FIG. 2 is a rear elevation view thereof;
FIG. 3 is a bottom plan view thereof;
FIG. 4 is a right side elevational view thereof, the left side being a mirror image of that shown;
FIG. 5 is a front elevation view thereof; and,
FIG. 6 is a rear perspective view thereof with the kickstand shown in broken lines and not forming part of my new and ornamental design.

1 Claim, 2 Drawing Sheets

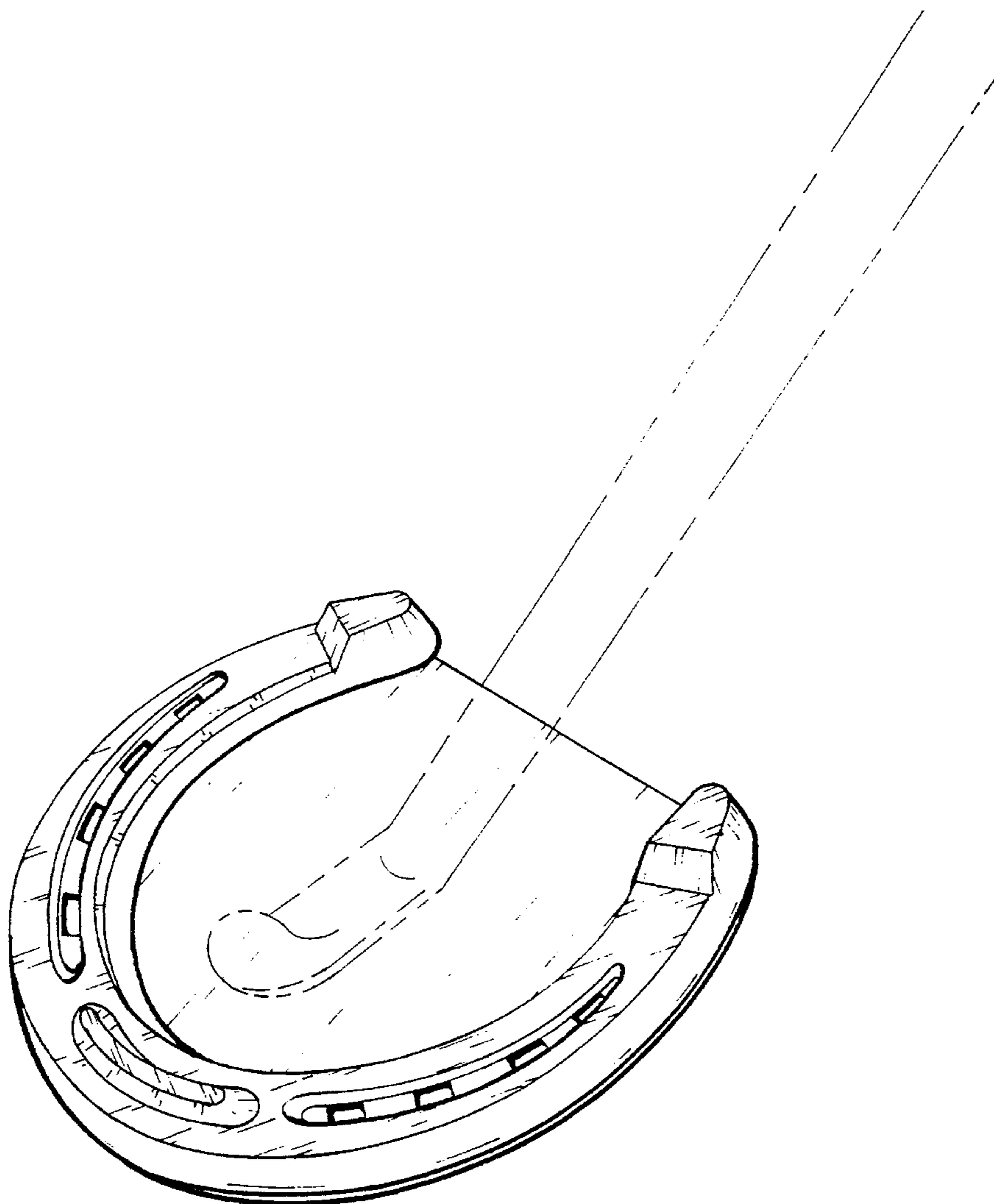


FIG. 3

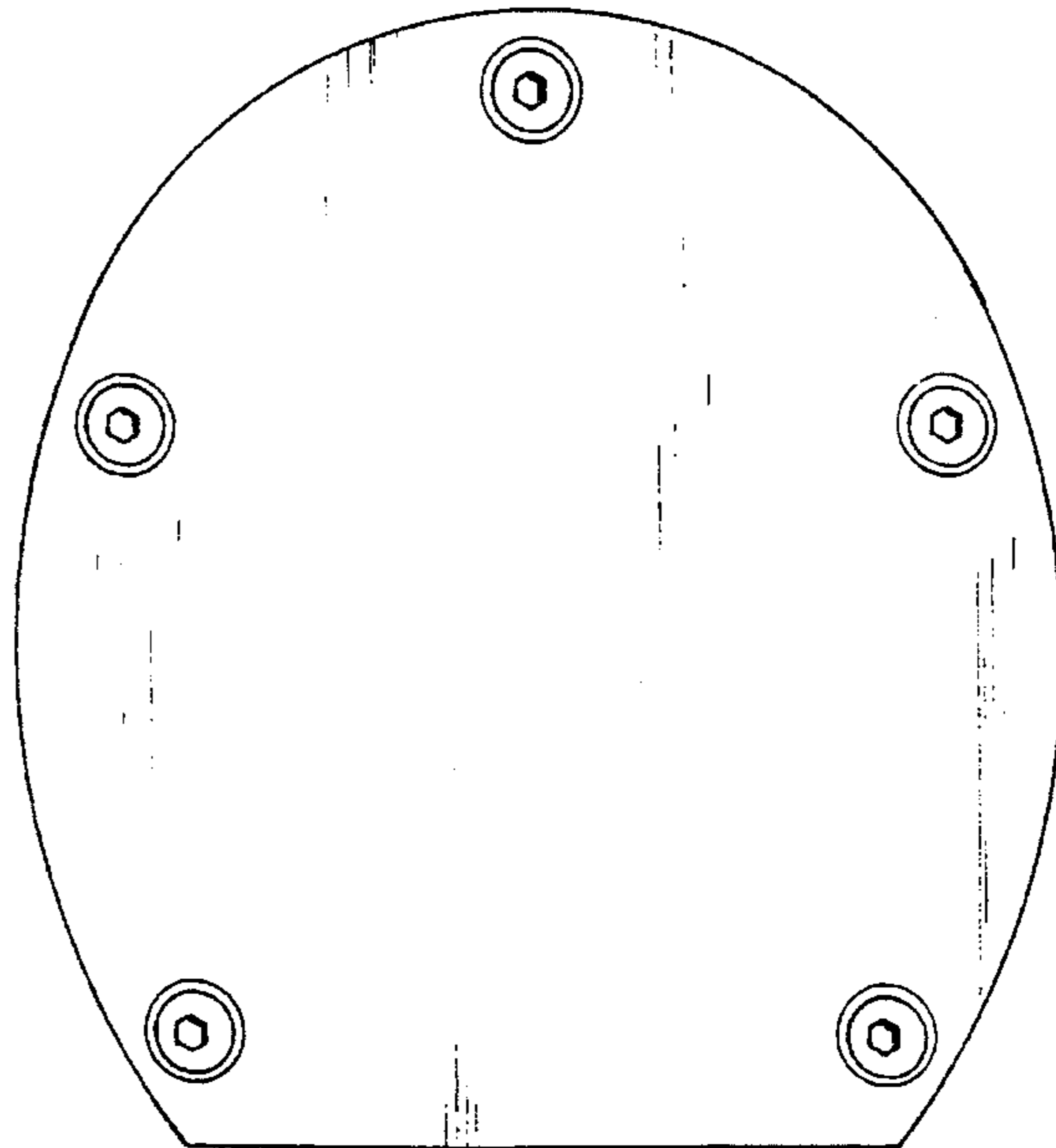


FIG. 2

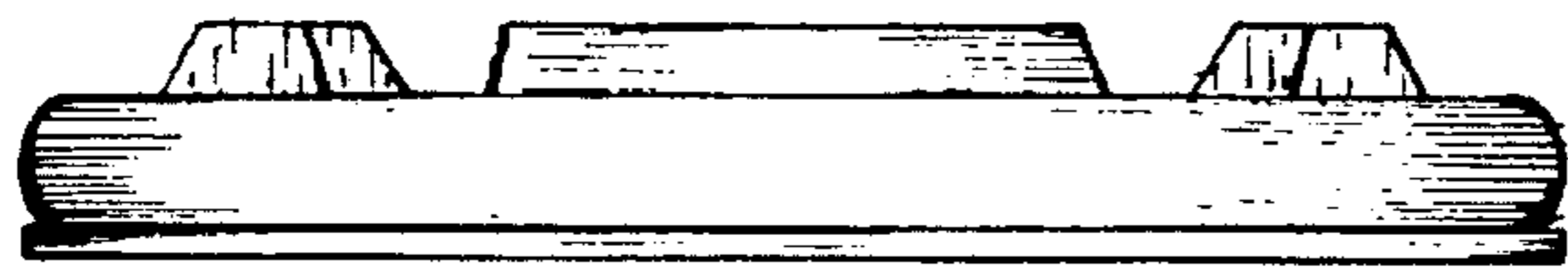


FIG. 1

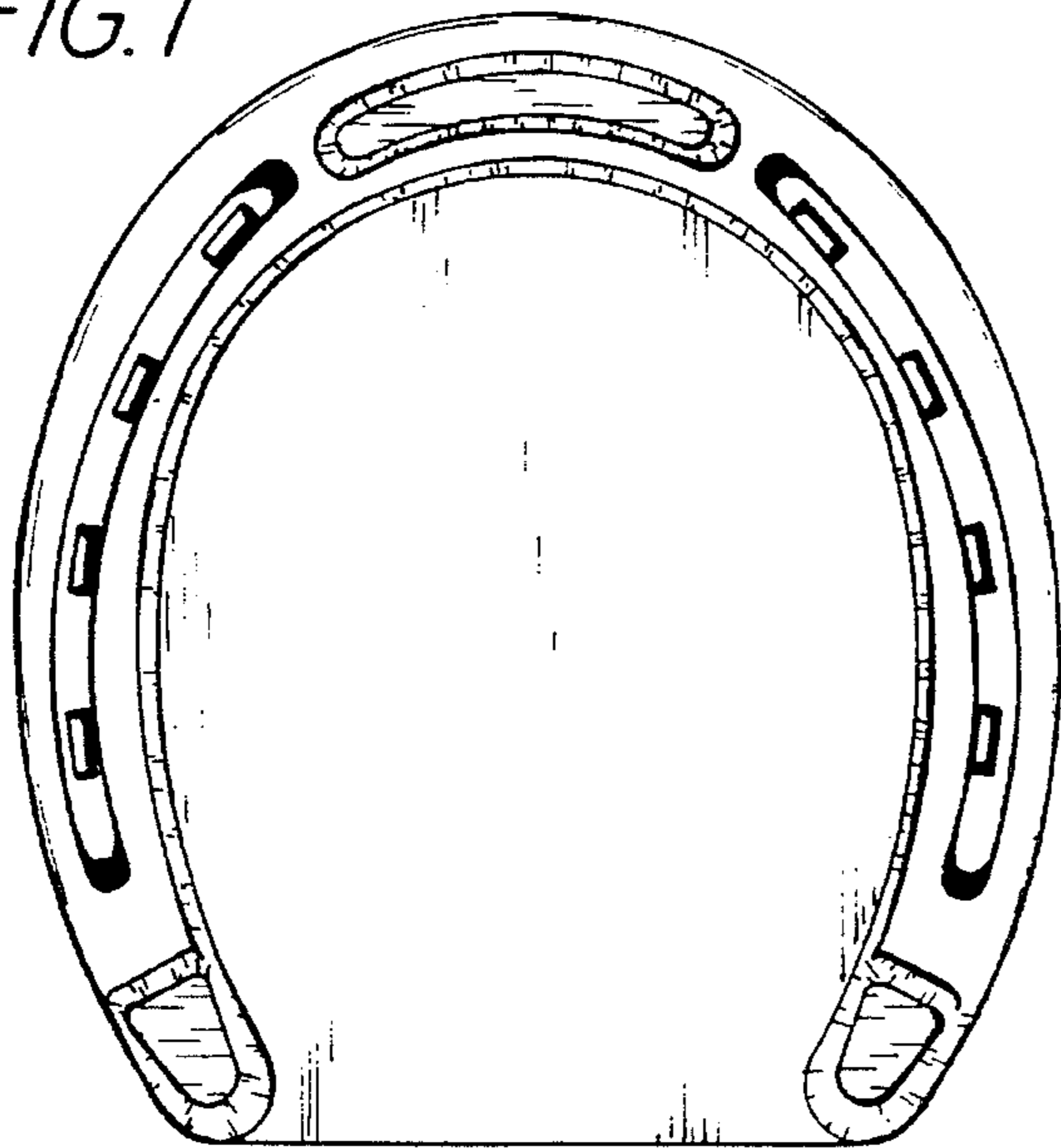


FIG. 4

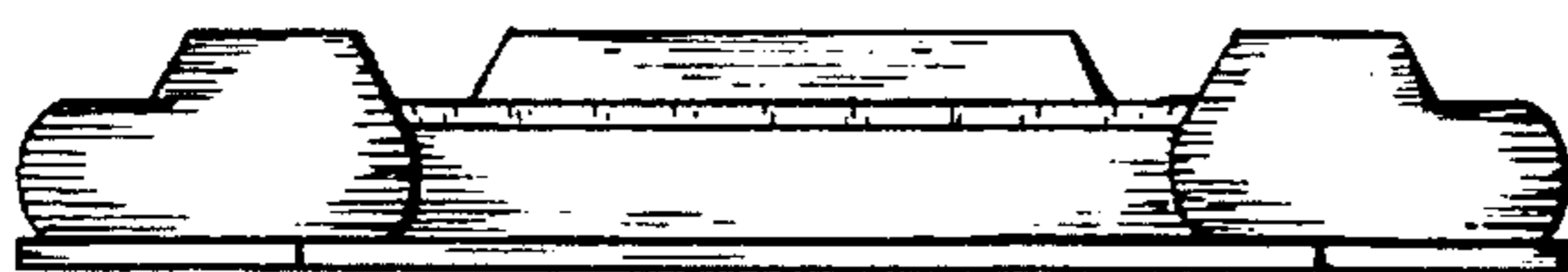


FIG. 5

FIG. 6

