



US00D378199S

**United States Patent** [19]  
**Simonelli**

[11] **Patent Number: Des. 378,199**

[45] **Date of Patent: \*\*Feb. 25, 1997**

[54] **PORTABLE TRUCK SCALE**

[76] **Inventor: Michael Simonelli, 61 Green St.,  
Huntington, N.Y. 11743**

[\*\*] **Term: 14 Years**

[21] **Appl. No.: 35,103**

[22] **Filed: Feb. 21, 1995**

[52] **U.S. Cl. .... D10/87**

[58] **Field of Search ..... D10/87, 91; D3/274,  
D3/900; 177/126, 127, 238-245**

[56] **References Cited**

**U.S. PATENT DOCUMENTS**

2,924,443	2/1960	Townsend et al. ....	177/126 X
3,968,849	7/1976	Dale et al. ....	177/126
4,744,428	5/1988	Knotter et al. ....	177/127
4,839,675	10/1989	Owen ....	D10/87 X
4,979,581	12/1990	Kroll ....	177/211

*Primary Examiner*—Antoine Duval Davis  
*Attorney, Agent, or Firm*—Harold H. Dutton, Jr.; W. Charles  
L. Jamison; Diane F. Liebman

[57] **CLAIM**

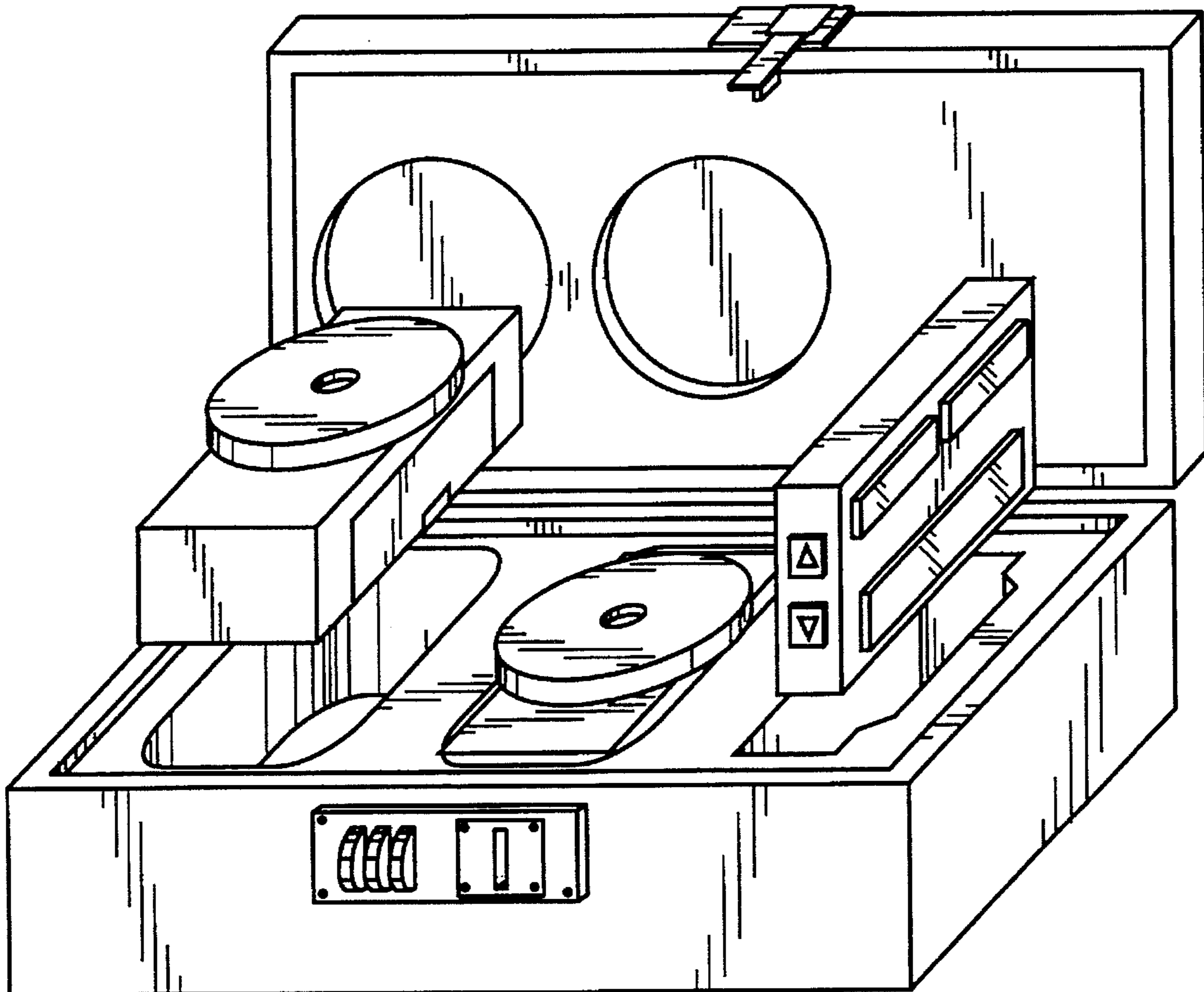
The design for a portable truck scale, as shown and described.

**DESCRIPTION**

FIG. 1 is a perspective view of a portable truck scale showing my new design;  
FIG. 2 is a front plan view of the display unit thereof;  
FIG. 3 is a rear plan view thereof;  
FIG. 4 is a top plan view thereof;  
FIG. 5 is a bottom view thereof;  
FIG. 6 is a left side view thereof;  
FIG. 7 is a right side view thereof;  
FIG. 8 is a front view of the weighing unit thereof;  
FIG. 9 is a rear view thereof;  
FIG. 10 is a right side view thereof;  
FIG. 11 is a left side view thereof;  
FIG. 12 is a top view thereof; and,  
FIG. 13 is a bottom view thereof.

All other sides of the carrying case, shown in FIG. 1, do not constitute apart of the claimed design and are therefore not shown.

**1 Claim, 6 Drawing Sheets**



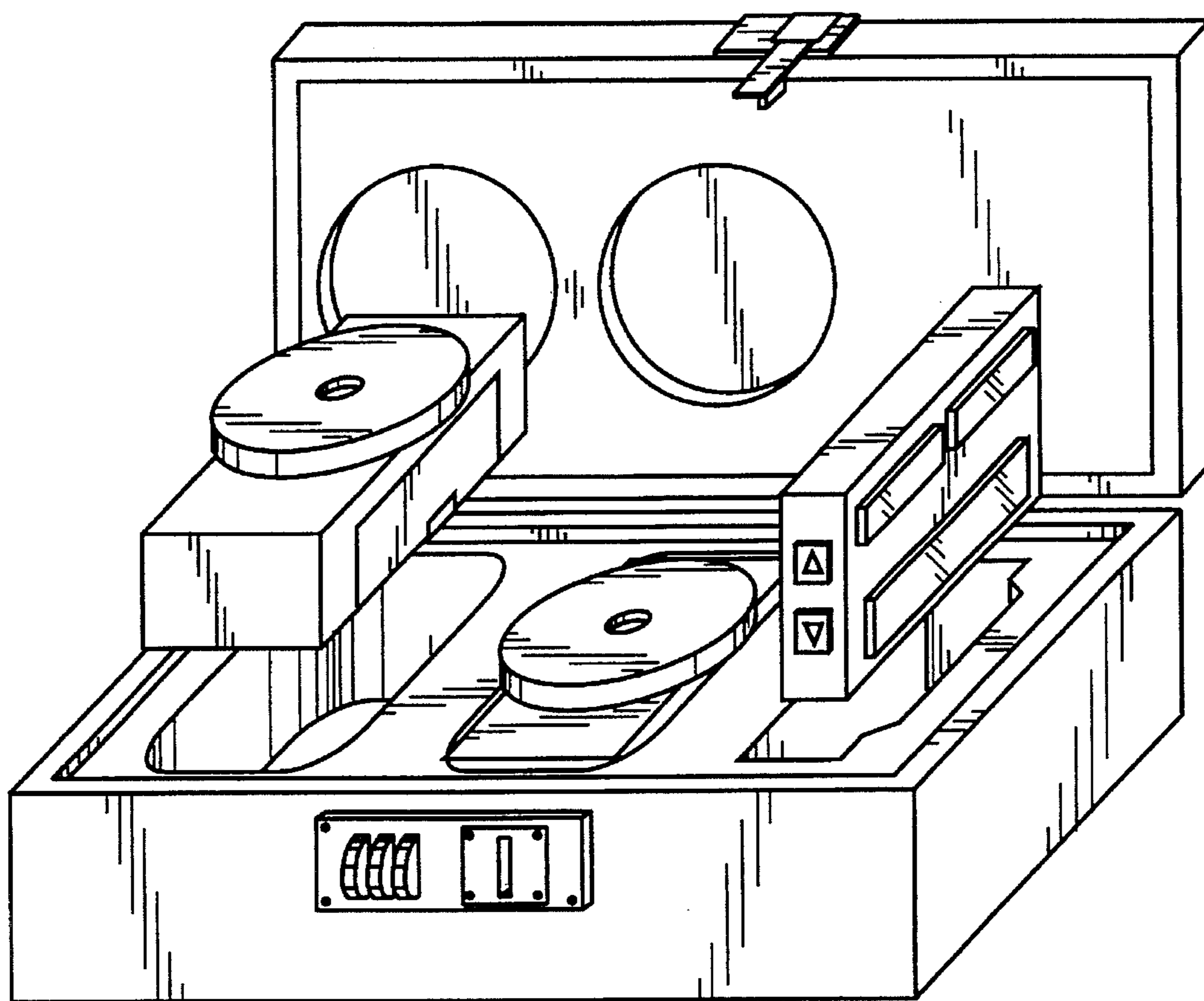


FIG. 1

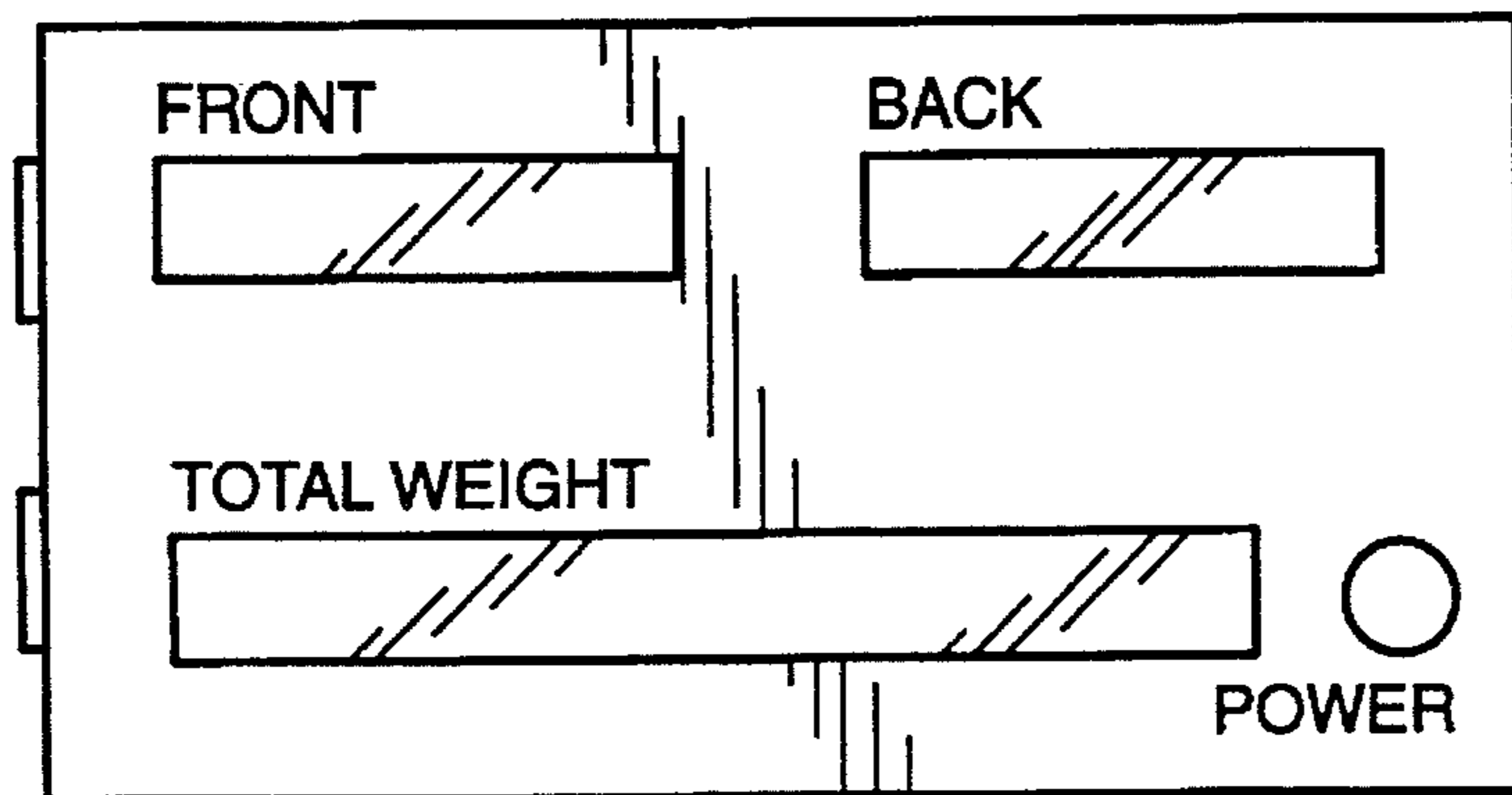


FIG. 2

FIG. 3

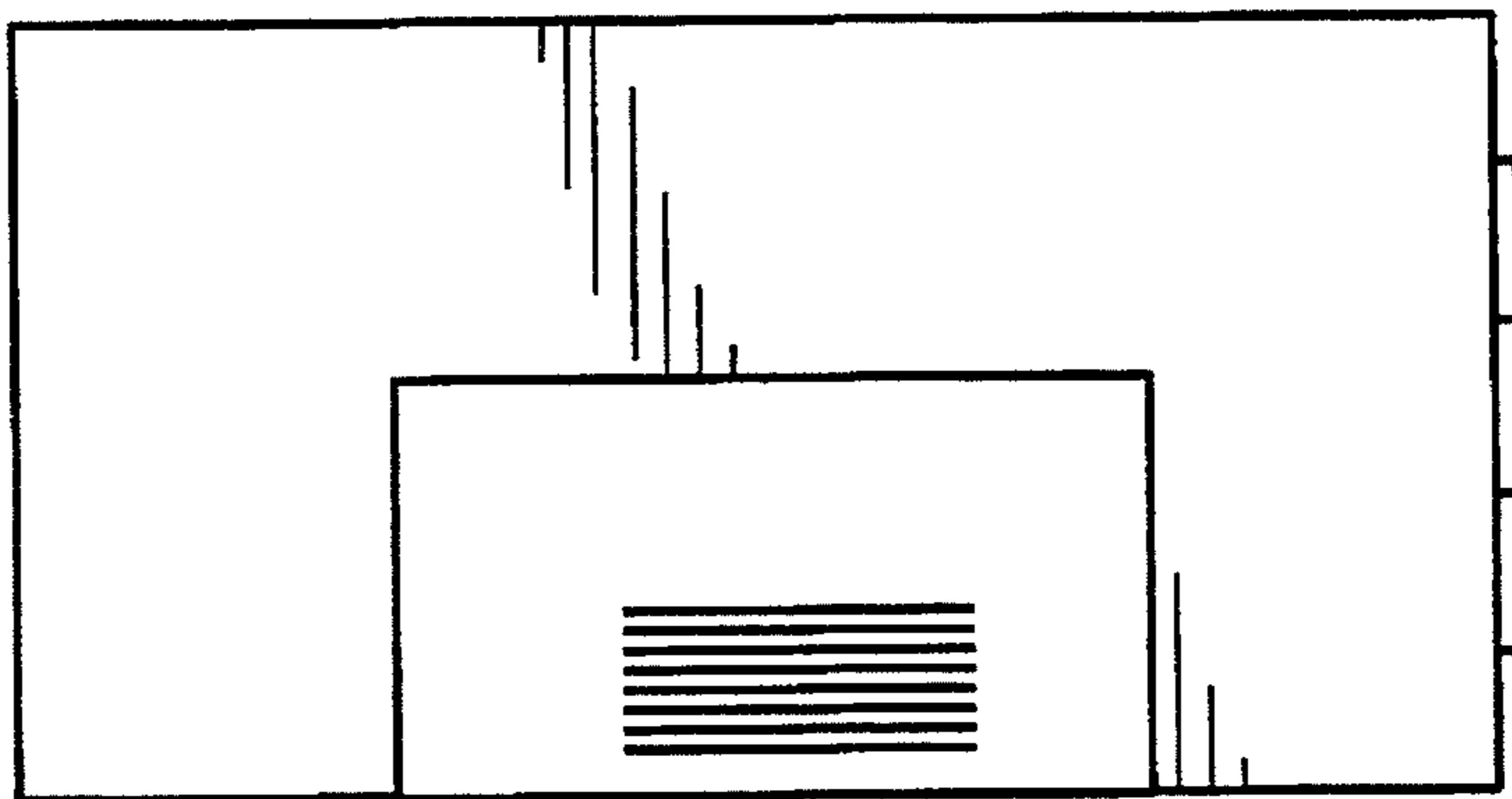


FIG. 4

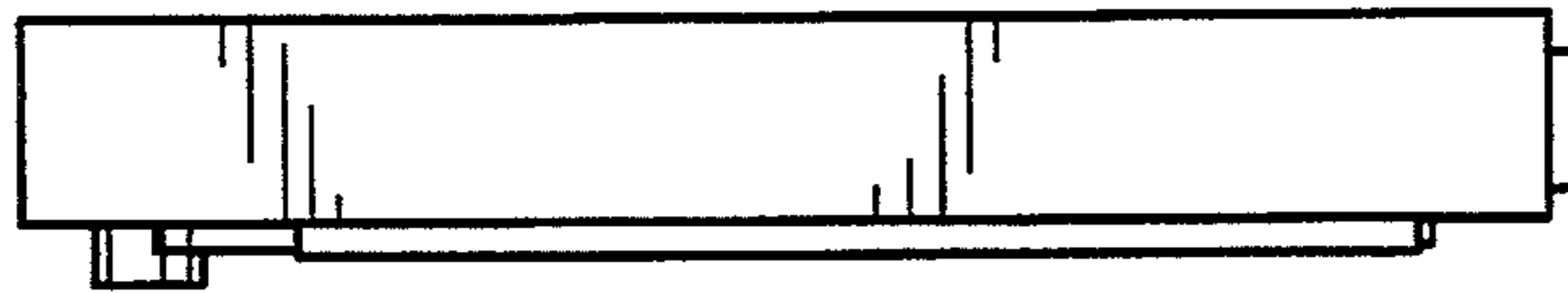


FIG. 5

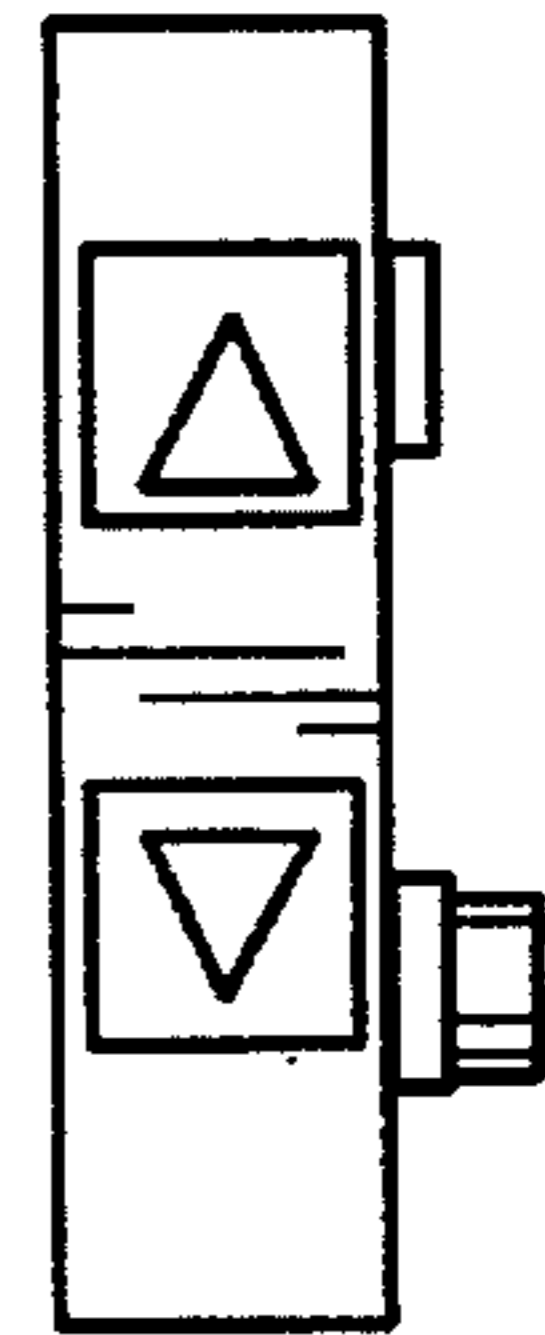
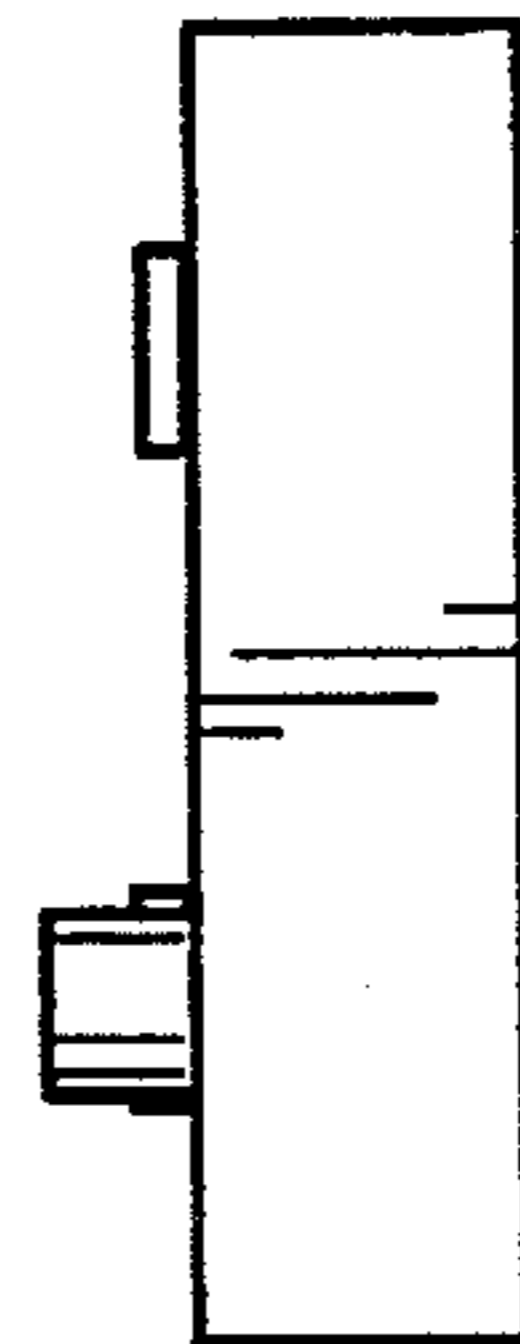


FIG. 6

FIG. 7



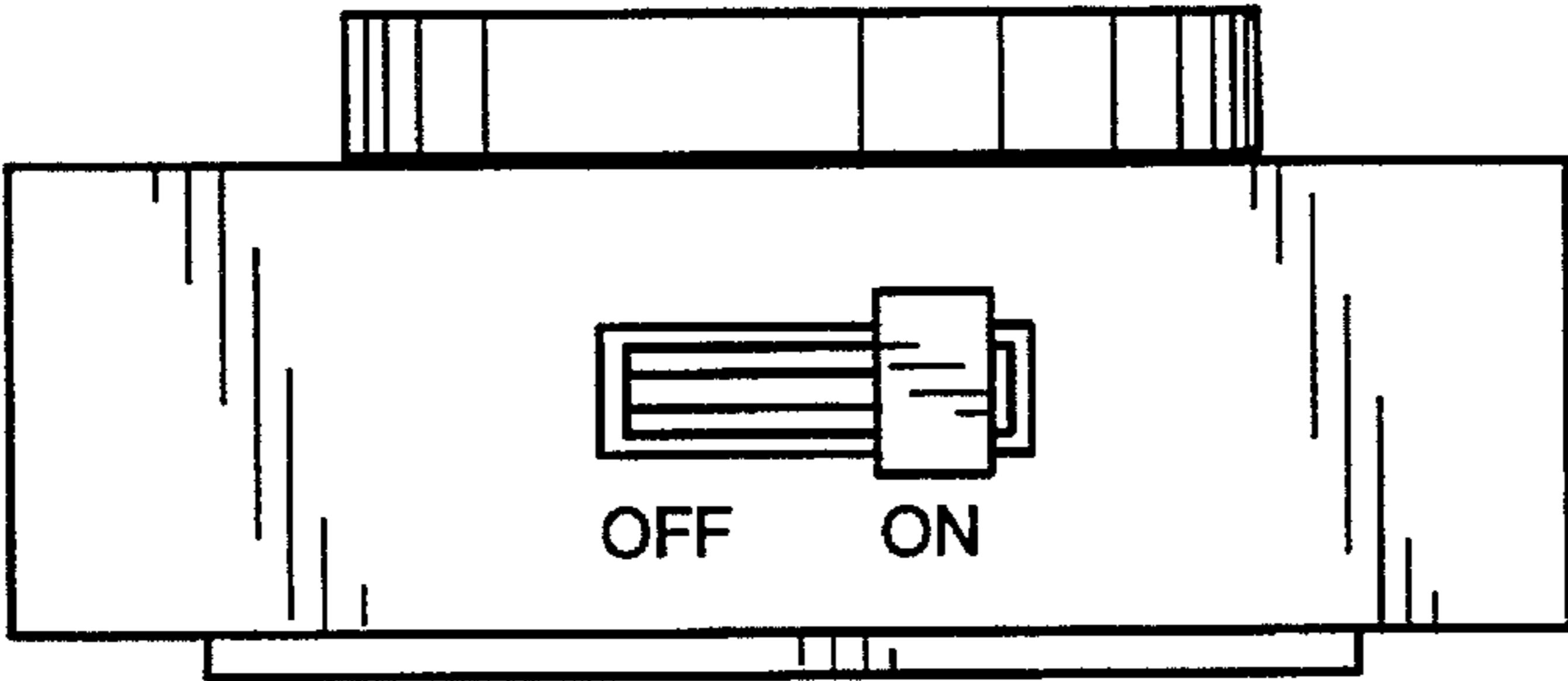


FIG. 8

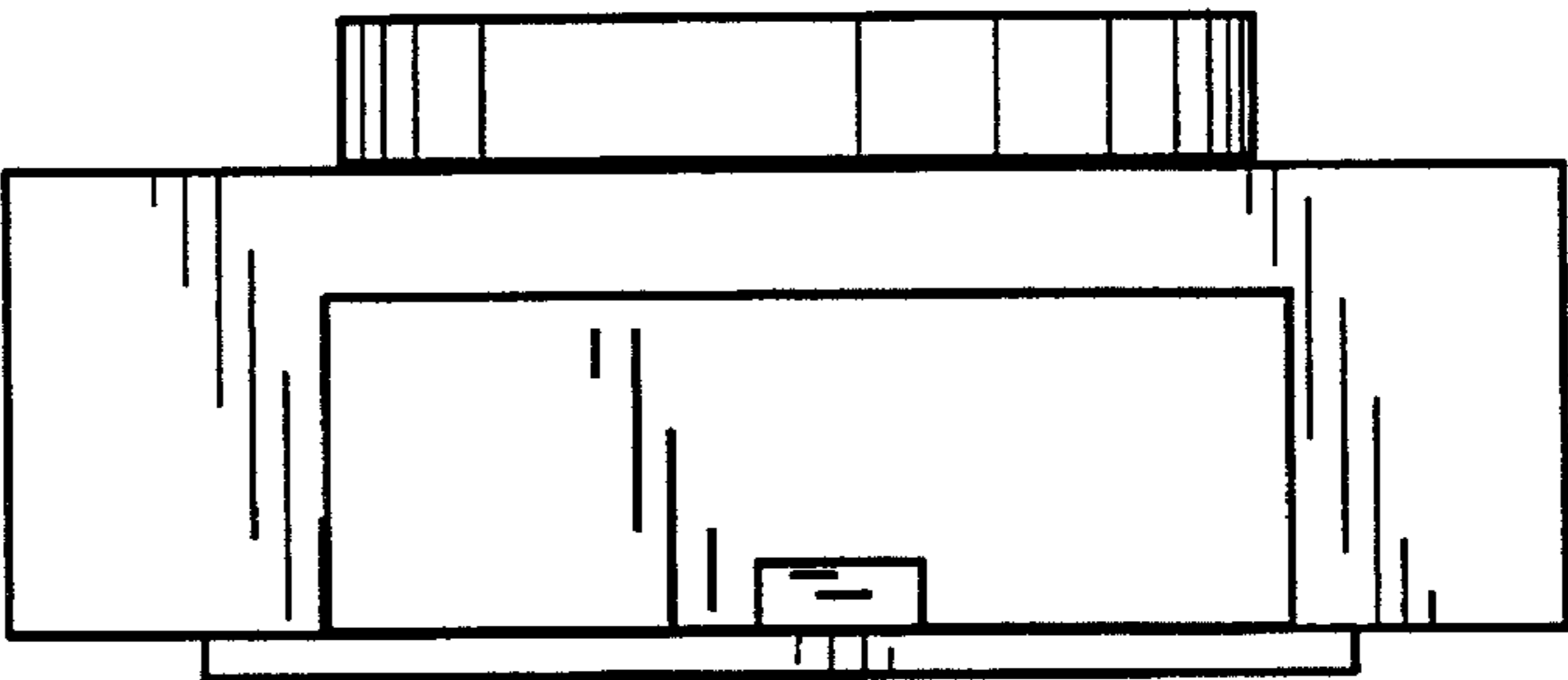


FIG. 9

FIG. 10

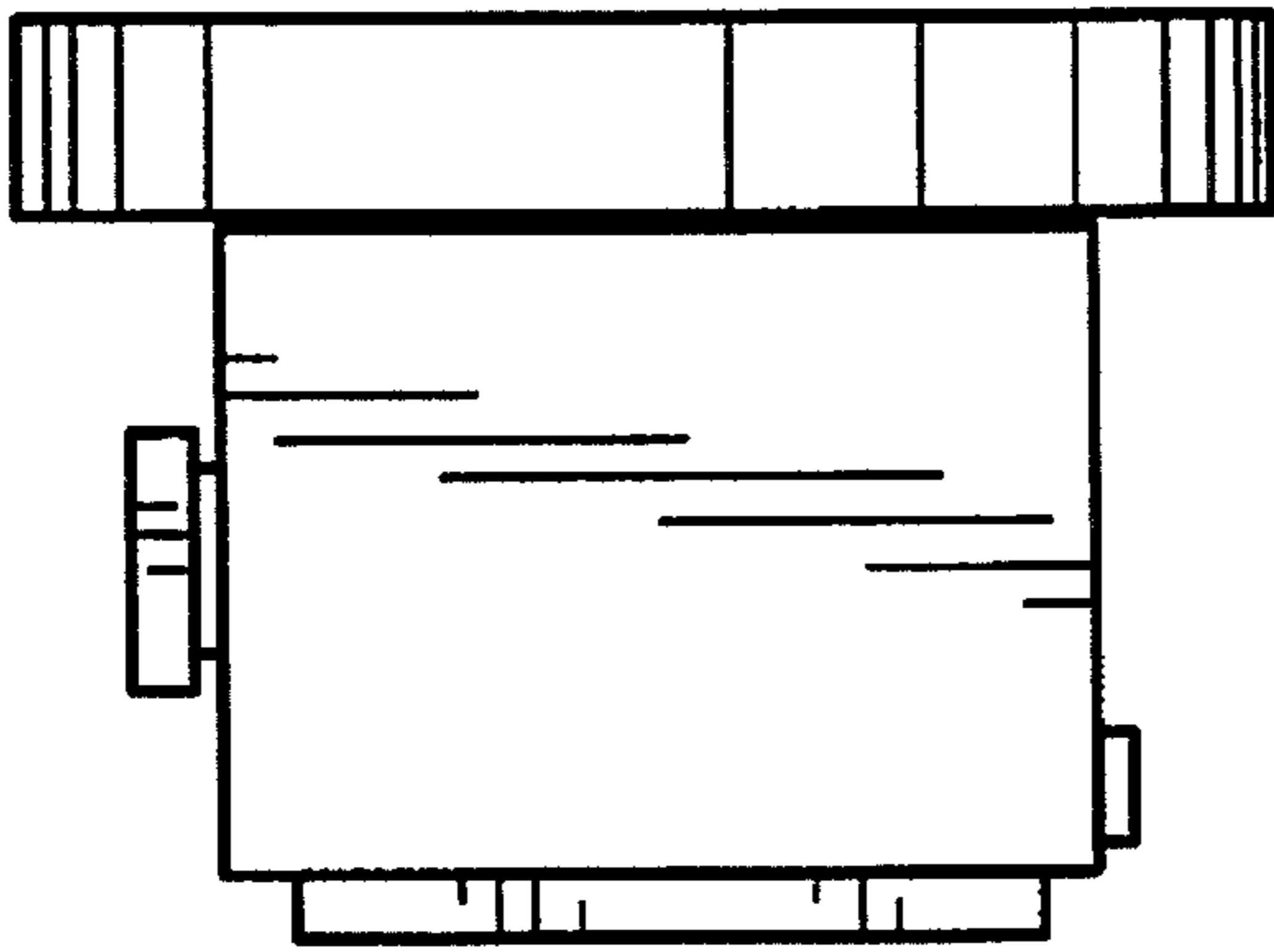
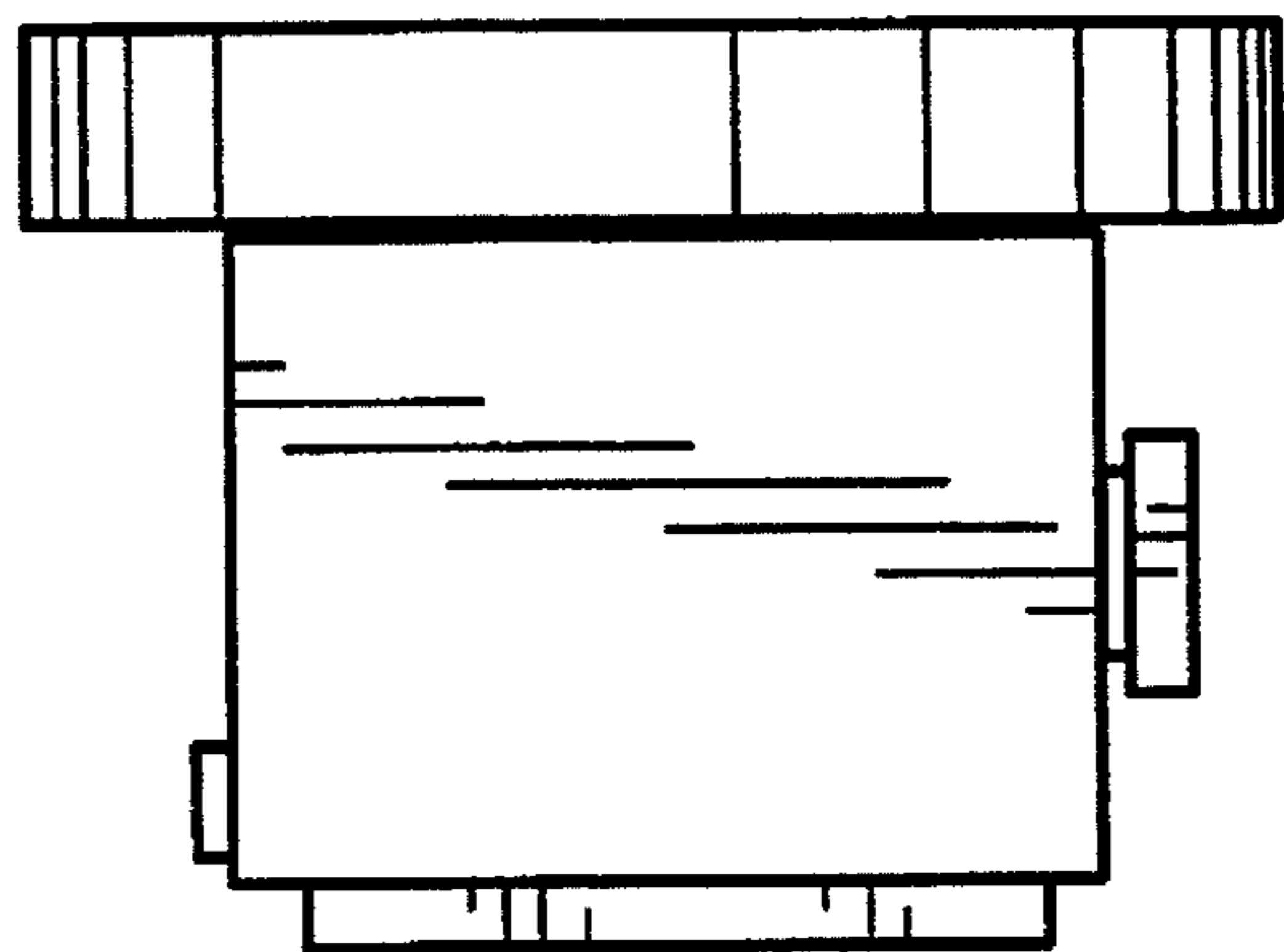


FIG. 11



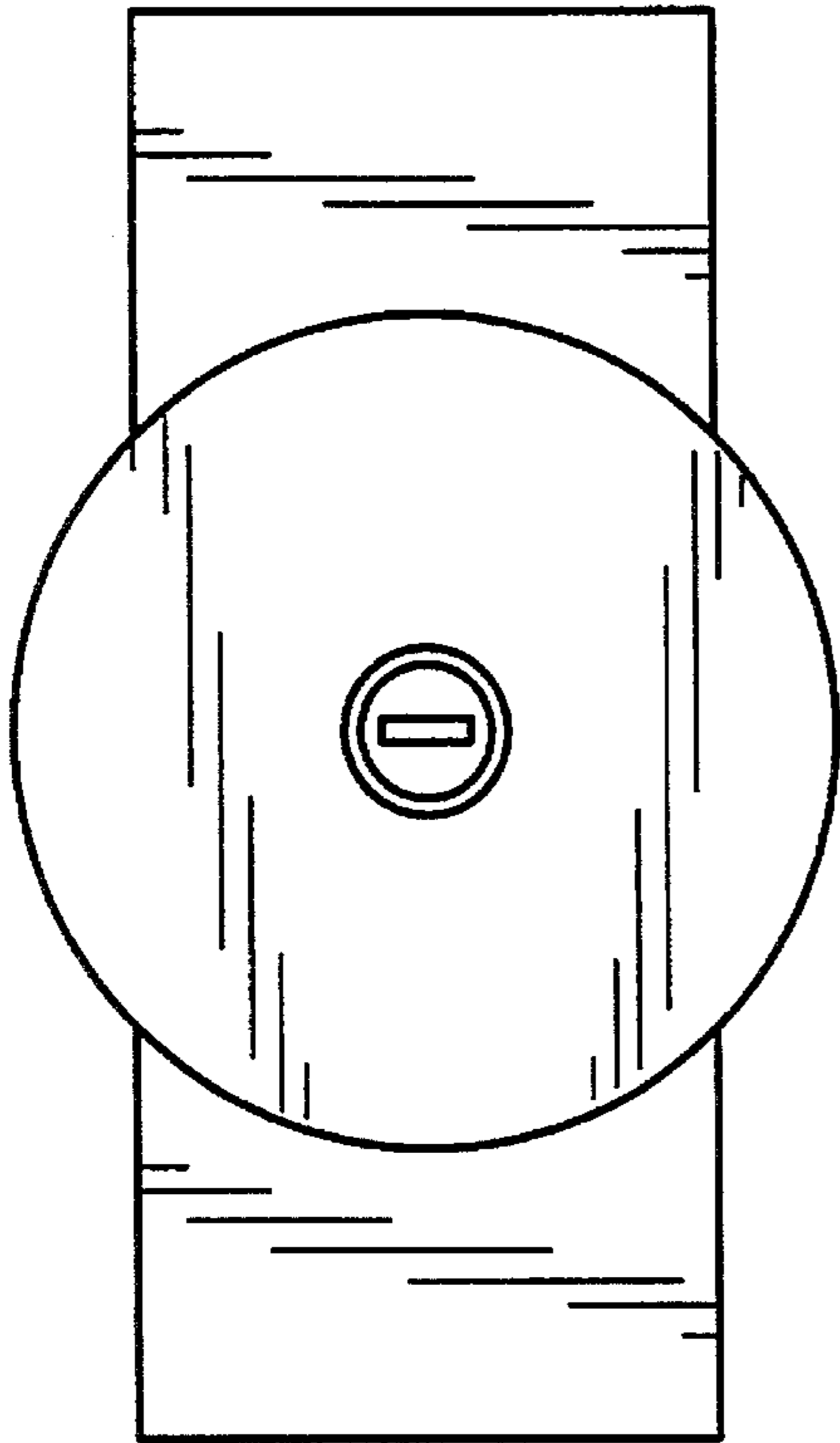


FIG. 12

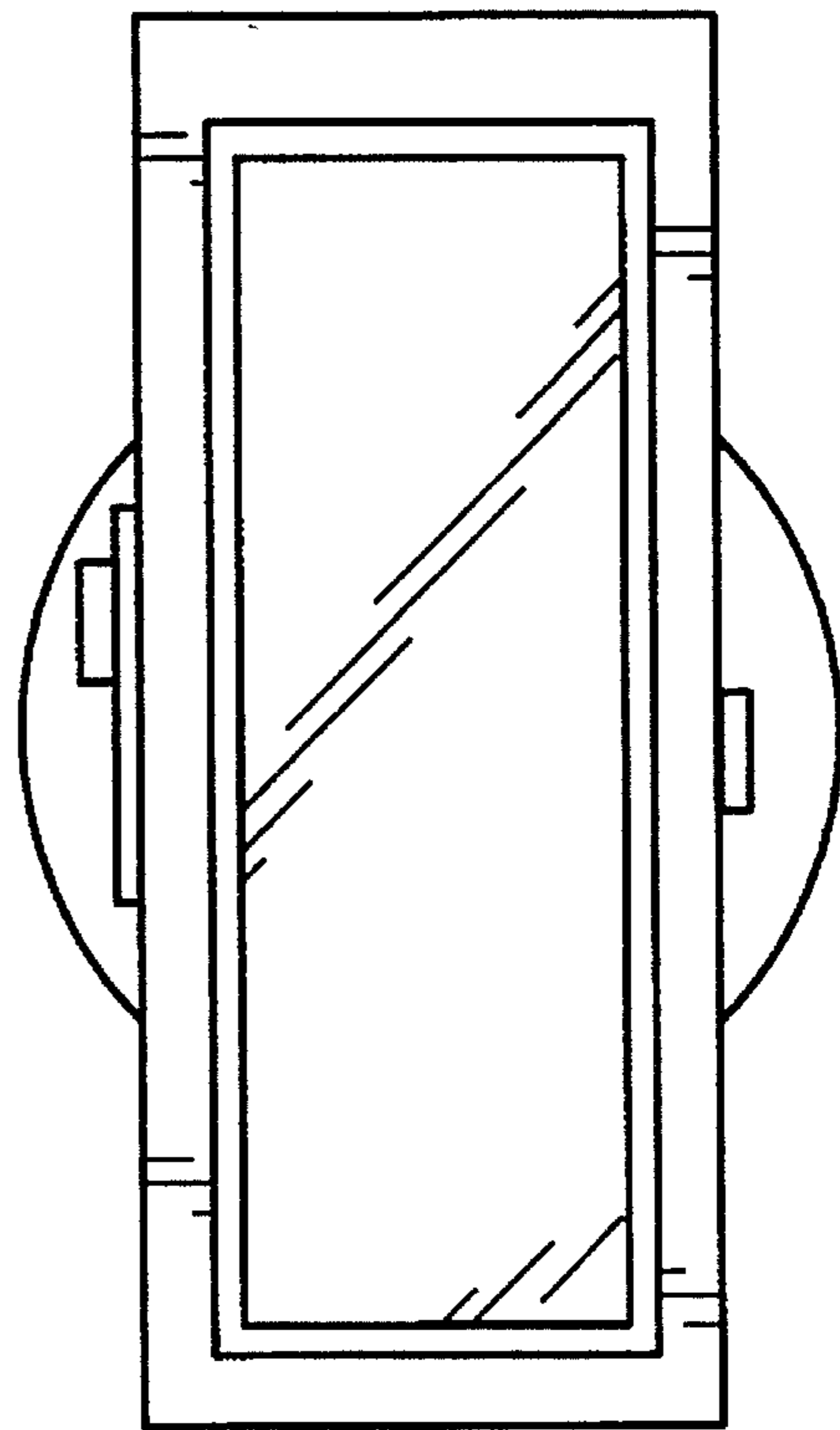


FIG. 13