



US00D378196S

United States Patent [19]
Daansen

[11] **Patent Number:** **Des. 378,196**
[45] **Date of Patent:** ****Feb. 25, 1997**

[54] **PUMP FOR A SOAP DISPENSER**
[76] Inventor: **Warren S. Daansen, P.O. Box 614,
Nashua, N.H. 03061**
[**] Term: **14 Years**
[21] Appl. No.: **45,933**
[22] Filed: **Nov. 2, 1995**
[52] U.S. Cl. **D9/448; D6/542**
[58] Field of Search **D6/550, 542-545;
D9/434-436, 439-442, 453, 454, 447-450,
503, 338, 300, 302; 215/211, 216, 232;
222/108-108.3, 189, 325, 460, 525, 541,
567, 566, 570, 571, 320, 321; D8/14.1,
330; D7/398, 300.2, 396.2, 511, 510**

D. 337,253	7/1993	Curtis et al.	D9/300
D. 351,785	10/1994	Newell	D9/300
D. 366,833	2/1996	Daansen	D9/447
D. 371,514	7/1996	Daansen	D9/448
D. 371,966	7/1996	Daansen	D9/448
957,669	5/1910	Garnett	D6/545
1,691,861	11/1928	Stout	222/320
2,412,295	12/1946	Shaffer, Jr.	222/181.2 X
2,630,006	3/1953	Leach	222/320
3,011,528	12/1961	Puplidy	222/320
4,967,931	11/1990	Devries	222/571 X
5,375,745	12/1994	Ritsche	222/321

Primary Examiner—Jeffrey Asch
Attorney, Agent, or Firm—Vernon C. Maine

[57] **CLAIM**

The ornamental design for a pump for a soap dispenser, as shown and described.

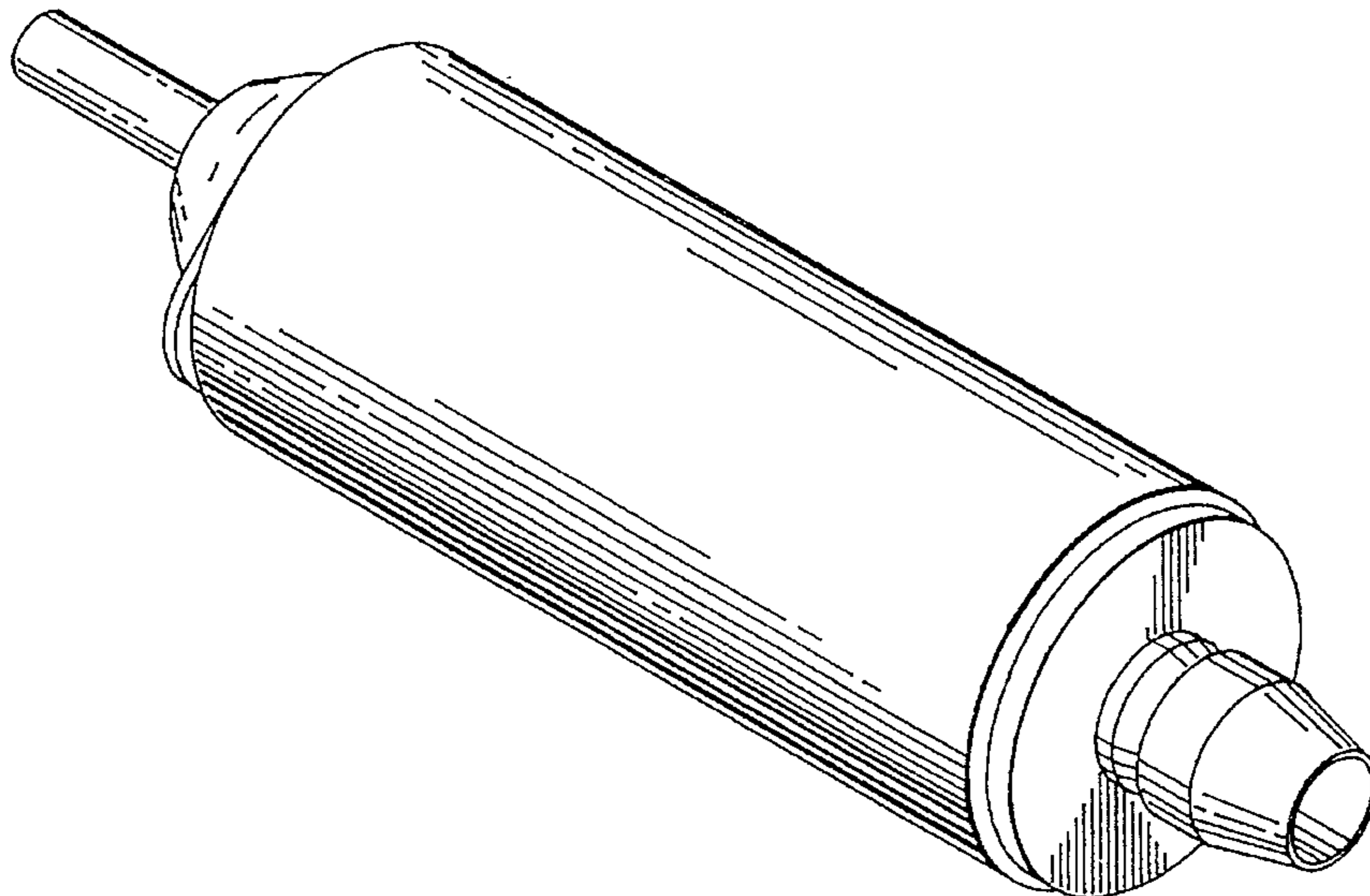
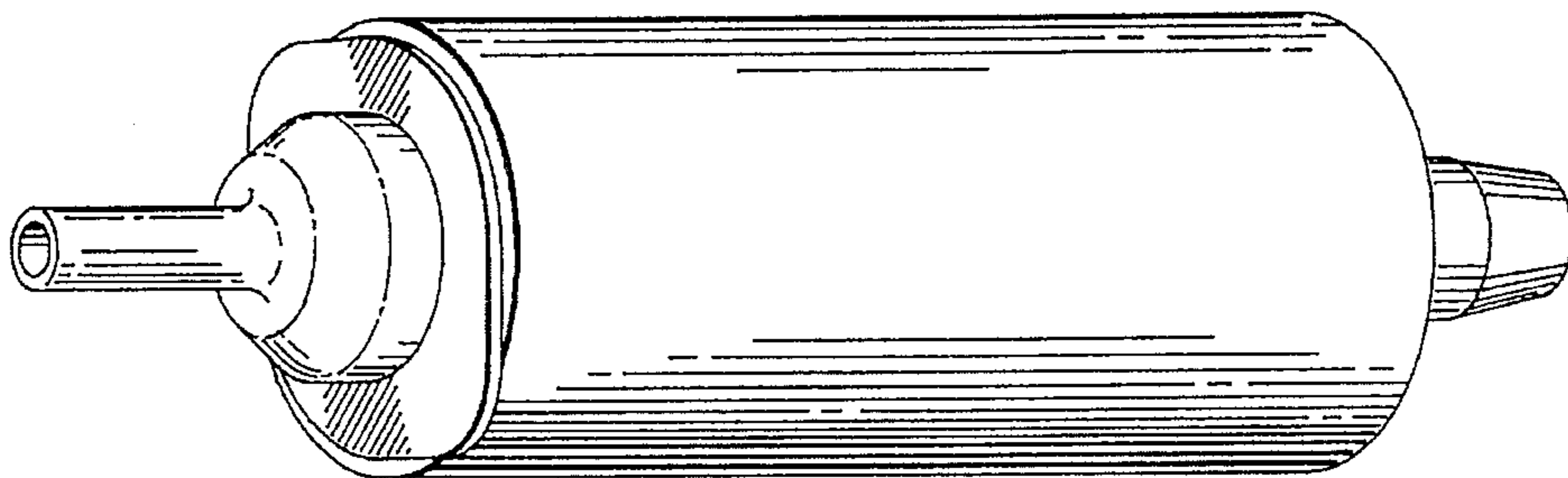
DESCRIPTION

FIG. 1 is a lower-end and side perspective view of the pump for a soap dispenser showing my new design;
FIG. 2 is an upper-end and side perspective view thereof;
FIG. 3 is a lower-end view thereof;
FIG. 4 is an upper end view thereof;
FIG. 5 is a side elevation thereof; and,
FIG. 6 is a front elevation thereof.

1 Claim, 2 Drawing Sheets

[56] **References Cited**
U.S. PATENT DOCUMENTS

D. 57,107	2/1921	Bown	D8/14.1
D. 57,175	2/1921	Watrous	D6/545
D. 130,326	11/1942	Holland et al.	D8/330
D. 243,135	1/1977	Moritz	D6/545
D. 264,938	6/1982	Stock	D9/503
D. 280,167	8/1985	Keck	D6/545
D. 316,208	4/1991	Griffiths et al.	D7/398
D. 326,581	6/1992	Hanna et al.	D6/545
D. 327,647	7/1992	Lemme	D9/434
D. 335,256	5/1993	Slavin et al.	D9/338



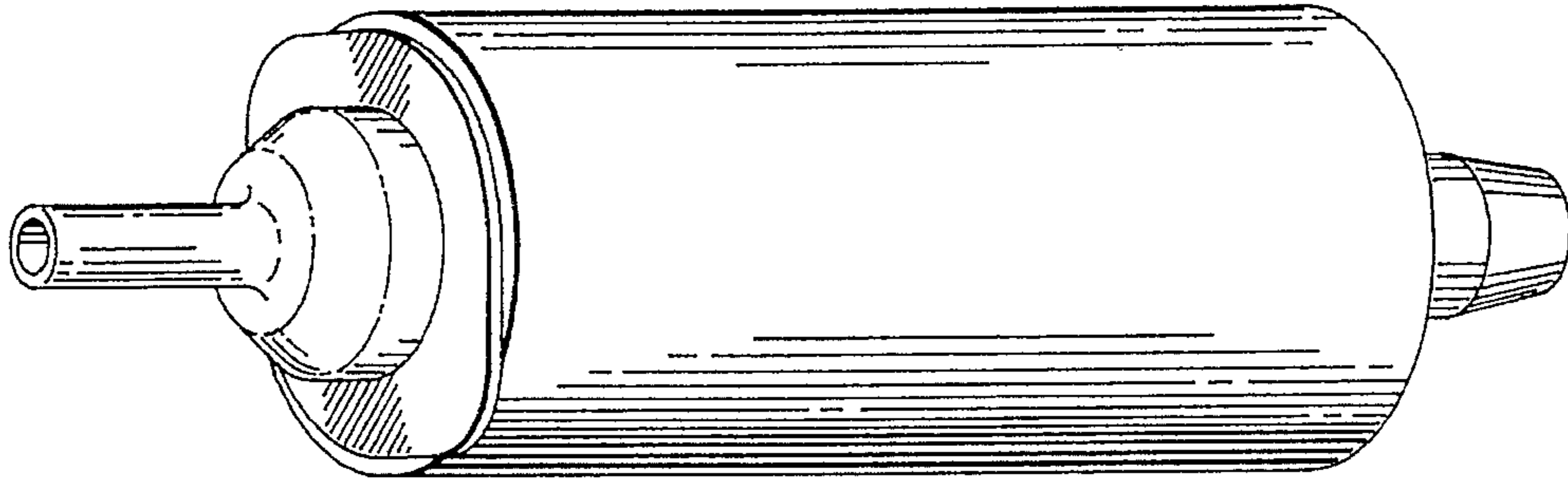


FIG. 1

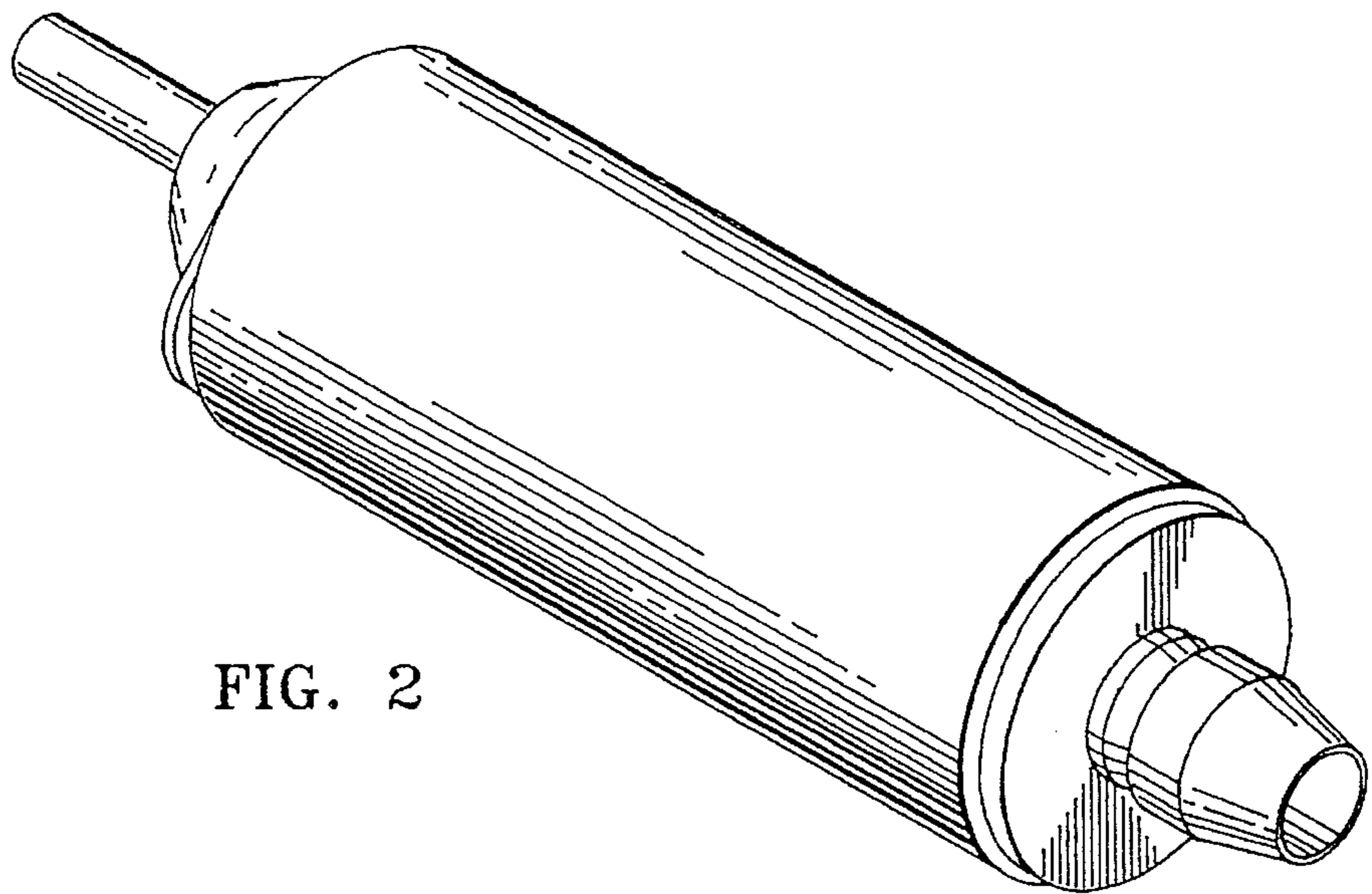


FIG. 2

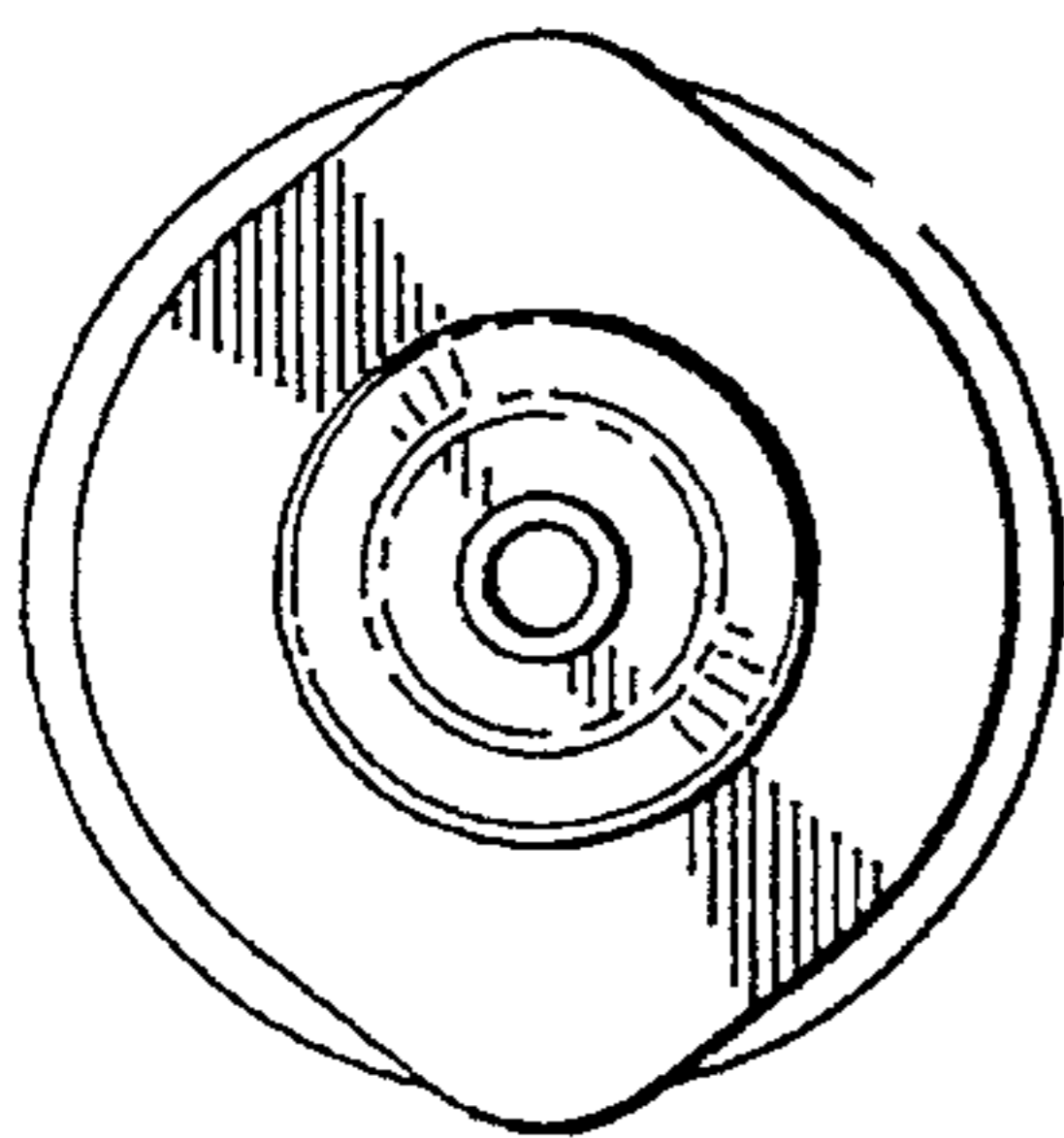


FIG. 3

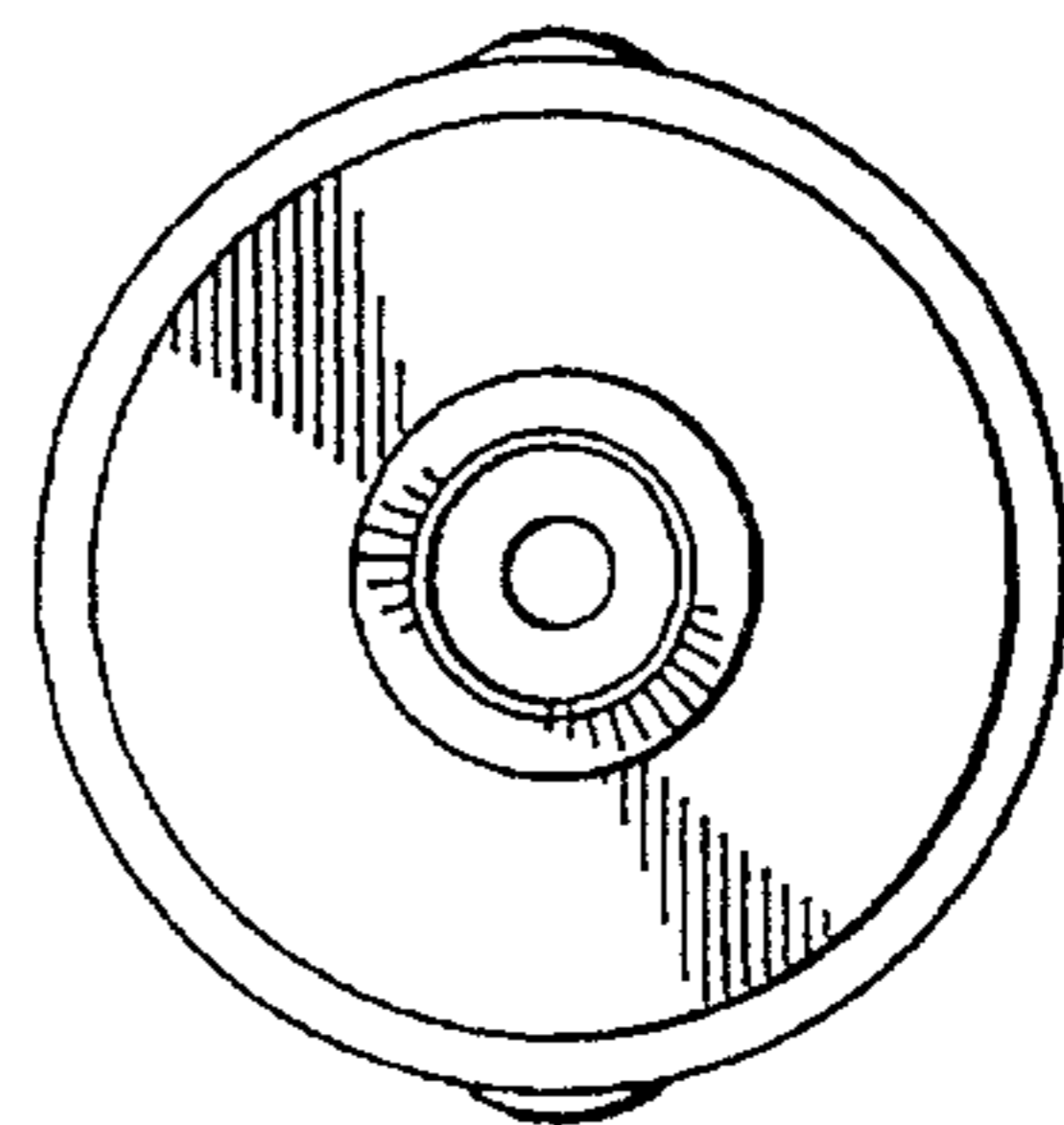


FIG. 4

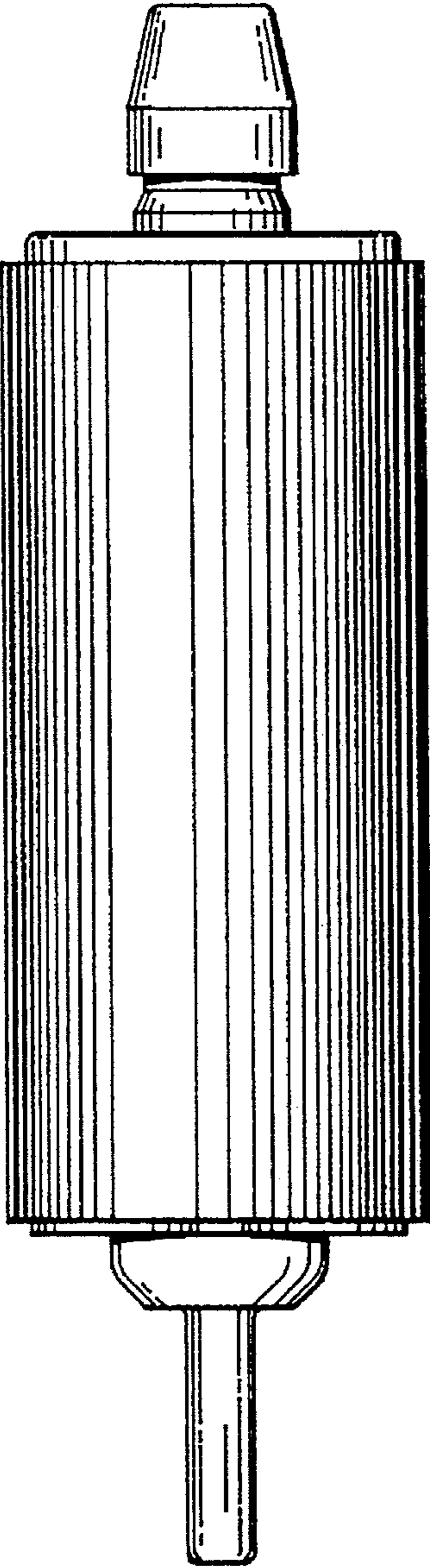


FIG. 5

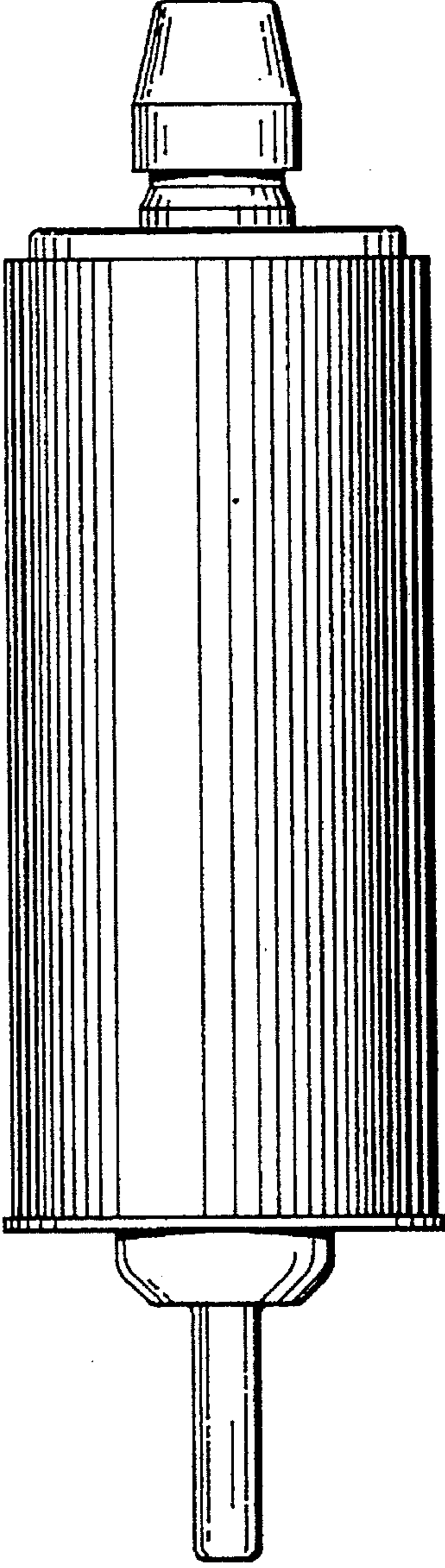


FIG. 6