



US00D378195S

**United States Patent** [19]

[11] **Patent Number: Des. 378,195**

**Bird**

[45] **Date of Patent: \*\*Feb. 25, 1997**

[54] **TEQUILA BOTTLE COVER SET**

**DESCRIPTION**

[76] Inventor: **Darrell D. Bird**, P.O. Box 740181,  
Houston, Tex. 77274

[\*\*] Term: **14 Years**

[21] Appl. No.: **45,216**

[22] Filed: **Oct. 13, 1995**

[52] U.S. Cl. .... **D9/444**

[58] Field of Search ..... D9/434, 435, 444,  
D9/453, 499; D7/624, 625; 215/395; 220/903

[56] **References Cited**

**U.S. PATENT DOCUMENTS**

|            |        |               |       |        |   |
|------------|--------|---------------|-------|--------|---|
| D. 167,207 | 7/1952 | Haars         | ..... | D9/444 | X |
| D. 333,593 | 3/1993 | Edison et al. | ..... | D7/625 |   |
| D. 368,000 | 3/1996 | Mazza et al.  | ..... | D9/444 | X |
| 4,867,214  | 9/1989 | Fuller        | ..... | D9/444 | X |

**OTHER PUBLICATIONS**

Shooter Belt, Inc. Ad, undated.

*Primary Examiner*—James Gandy

*Assistant Examiner*—Cathron B. Matta

*Attorney, Agent, or Firm*—Wendy Buskop

[57] **CLAIM**

The ornamental design for a tequila bottle cover set, as shown and described.

FIG. 1 is a front elevation view of a tequila bottle cover set showing my new design installed on a square bottle, the bottle shown in broken line is for illustrative purposes only and forms no part of the claimed design;

FIG. 2 is a left side elevation thereof, the right side being a mirror image of that shown;

FIG. 3 is a rear elevation view thereof;

FIG. 4 is a top plan view thereof;

FIG. 5 is a top plan view thereof taken along line 5—5 of FIG. 1;

FIG. 6 is a bottom plan view thereof;

FIG. 7 is a front elevation view of an alternate embodiment of a tequila bottle cover set showing my new design installed on a round bottle, the bottle shown in broken line is for illustrative purposes only and forms no part of the claimed design;

FIG. 8 is a left side elevation thereof, the right side being a mirror image of that shown;

FIG. 9 is a rear elevation view thereof;

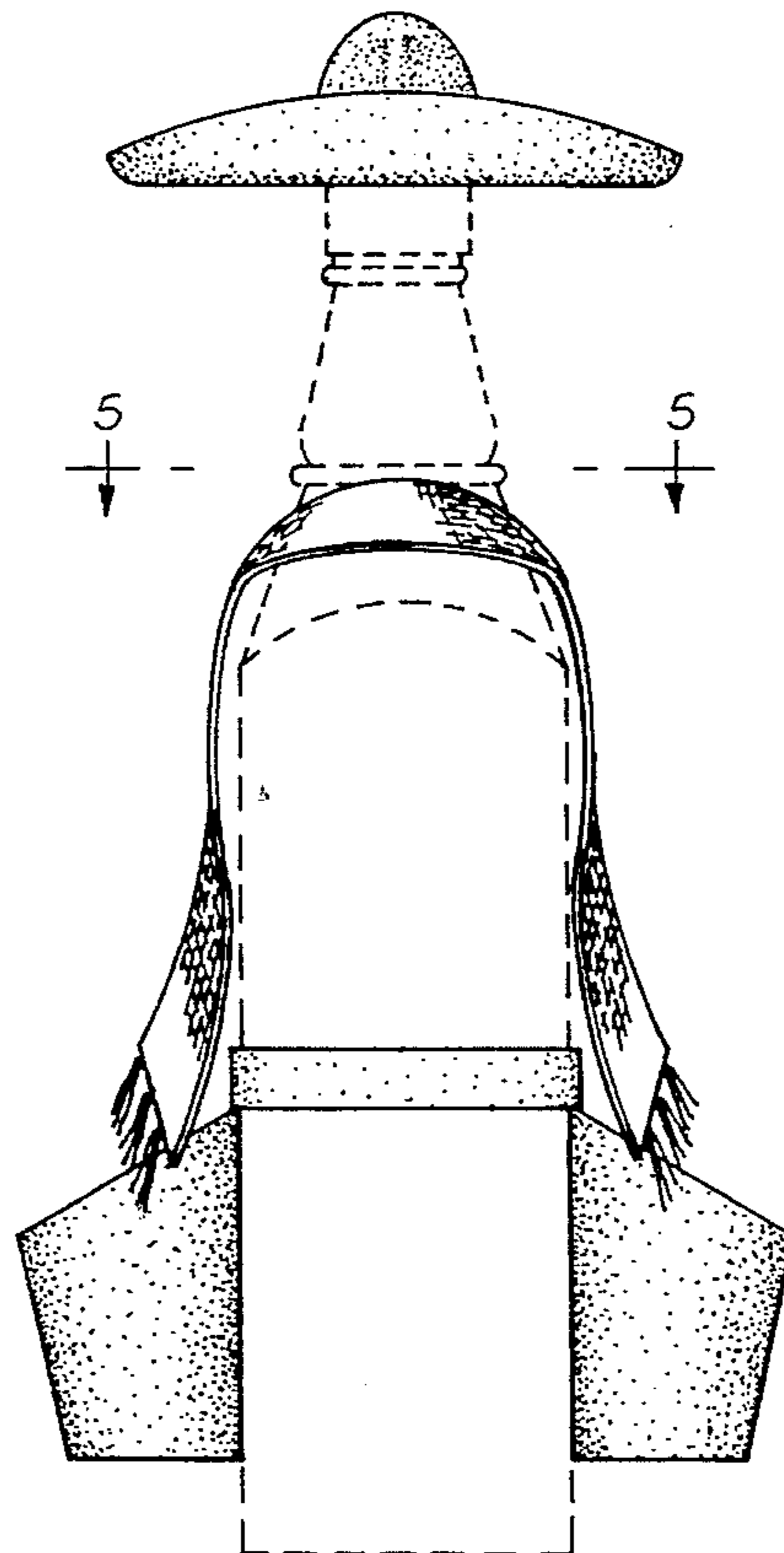
FIG. 10 is a top plan view thereof;

FIG. 11 is a top plan view thereof taken along line 11—11 of FIG. 7; and,

FIG. 12 is a bottom plan view thereof.

The criss-cross pattern shown on random areas of the scarf portion of the design is repeated uniformly throughout the area shown.

**1 Claim, 4 Drawing Sheets**



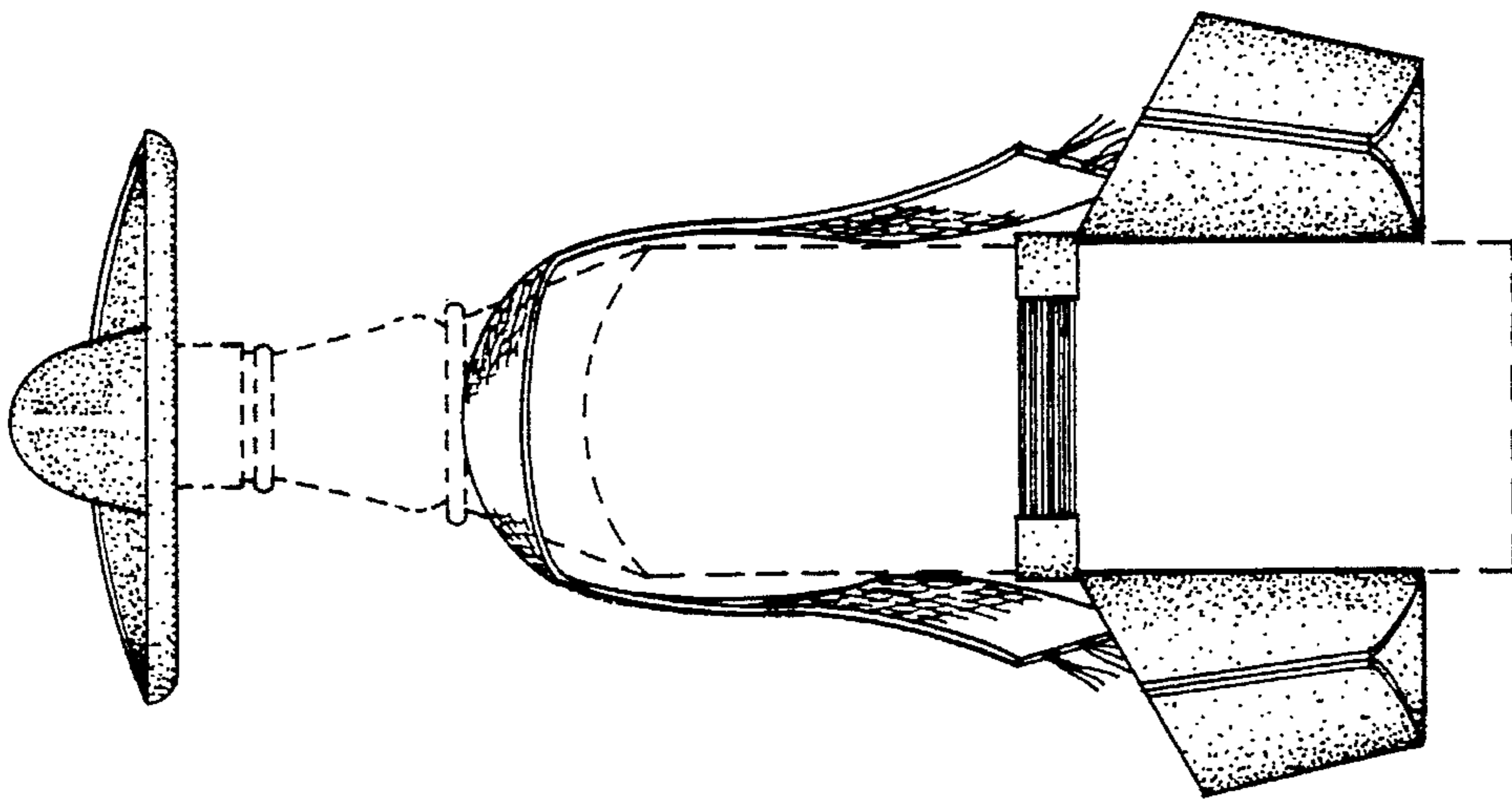


Fig. 1

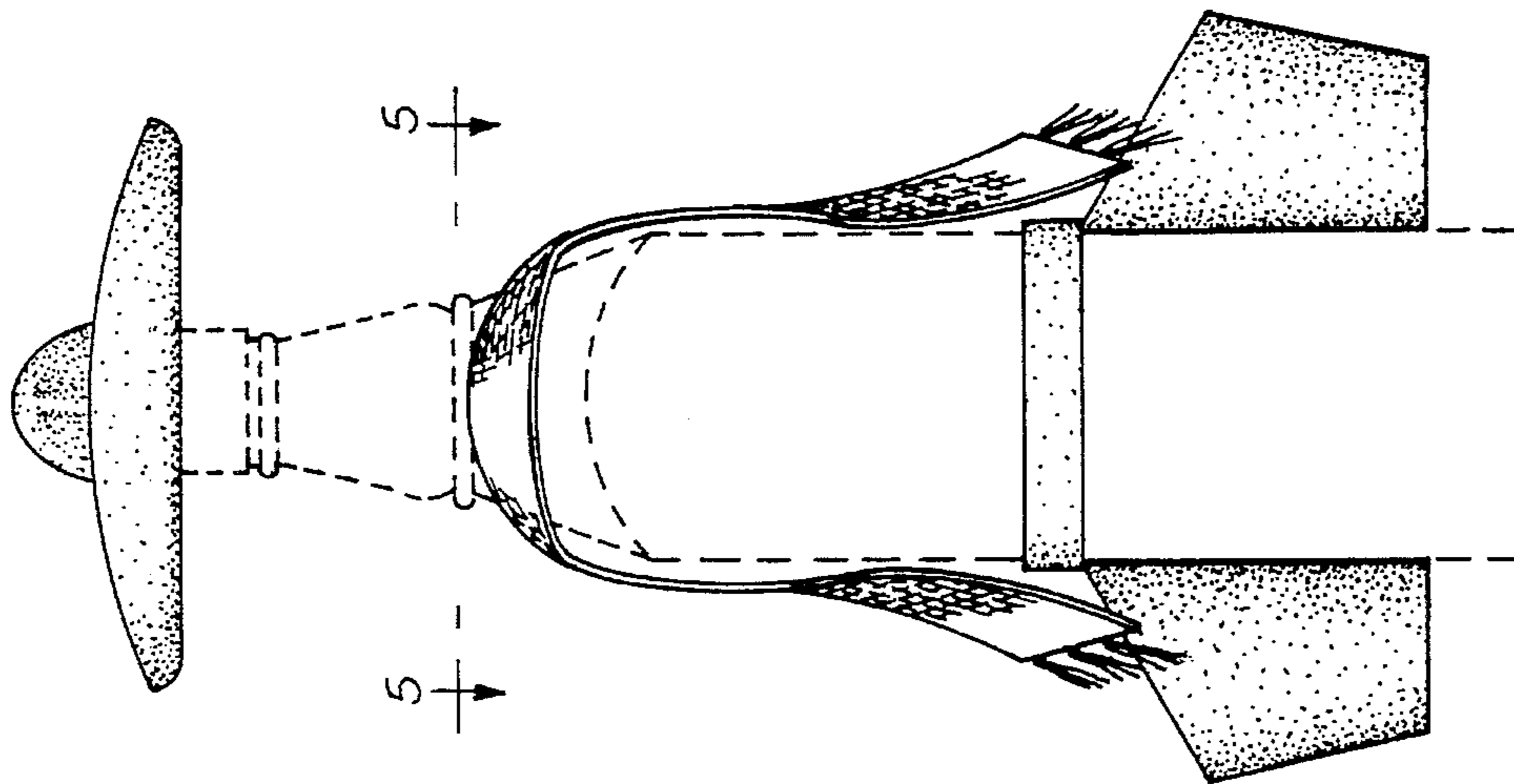


Fig. 2

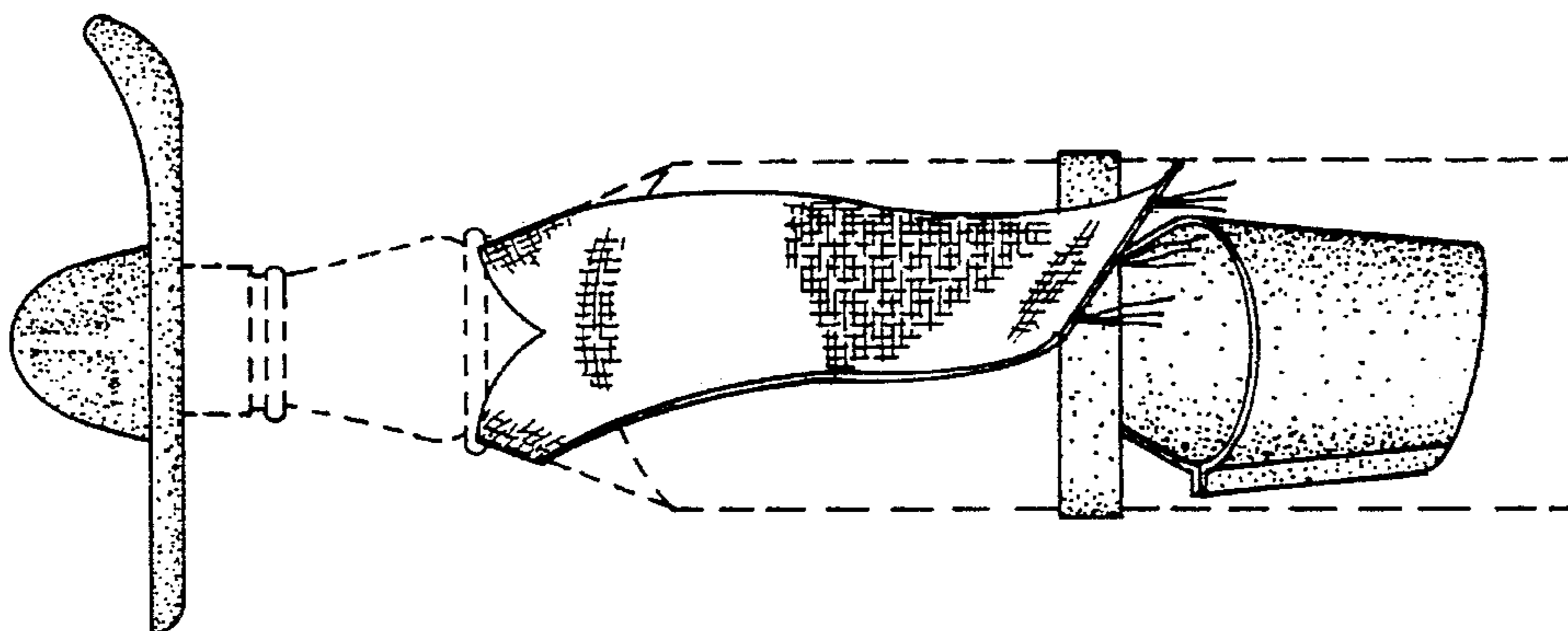
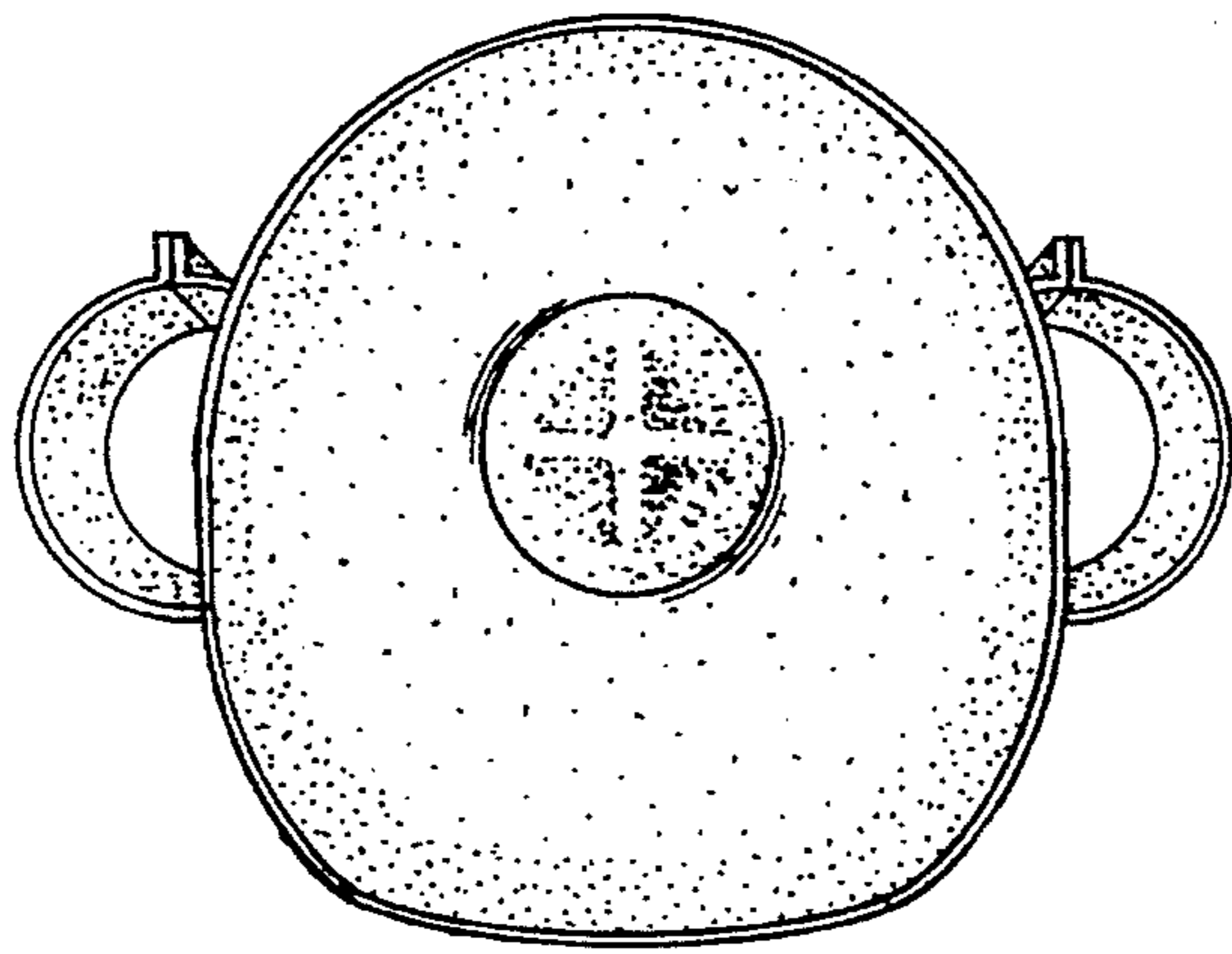
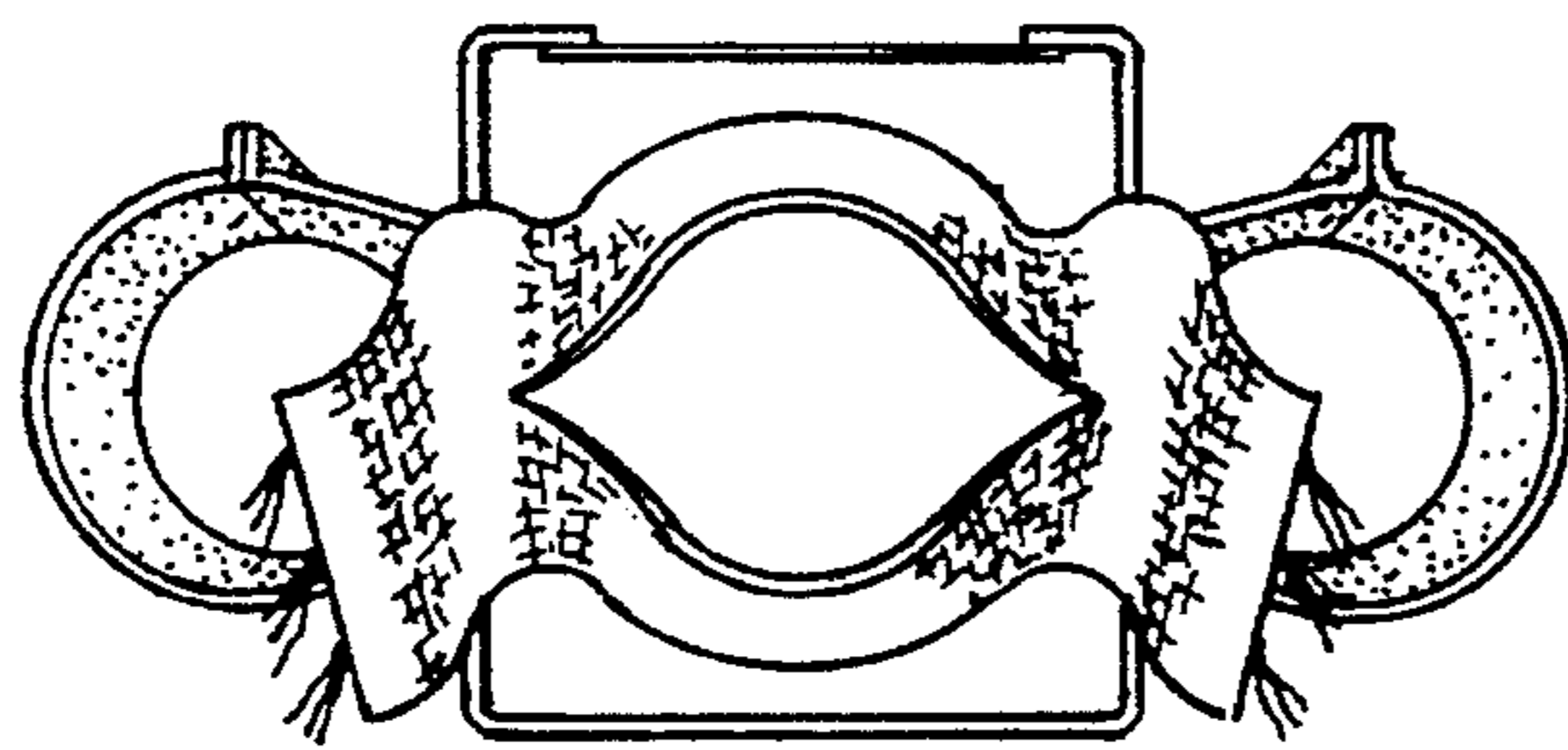


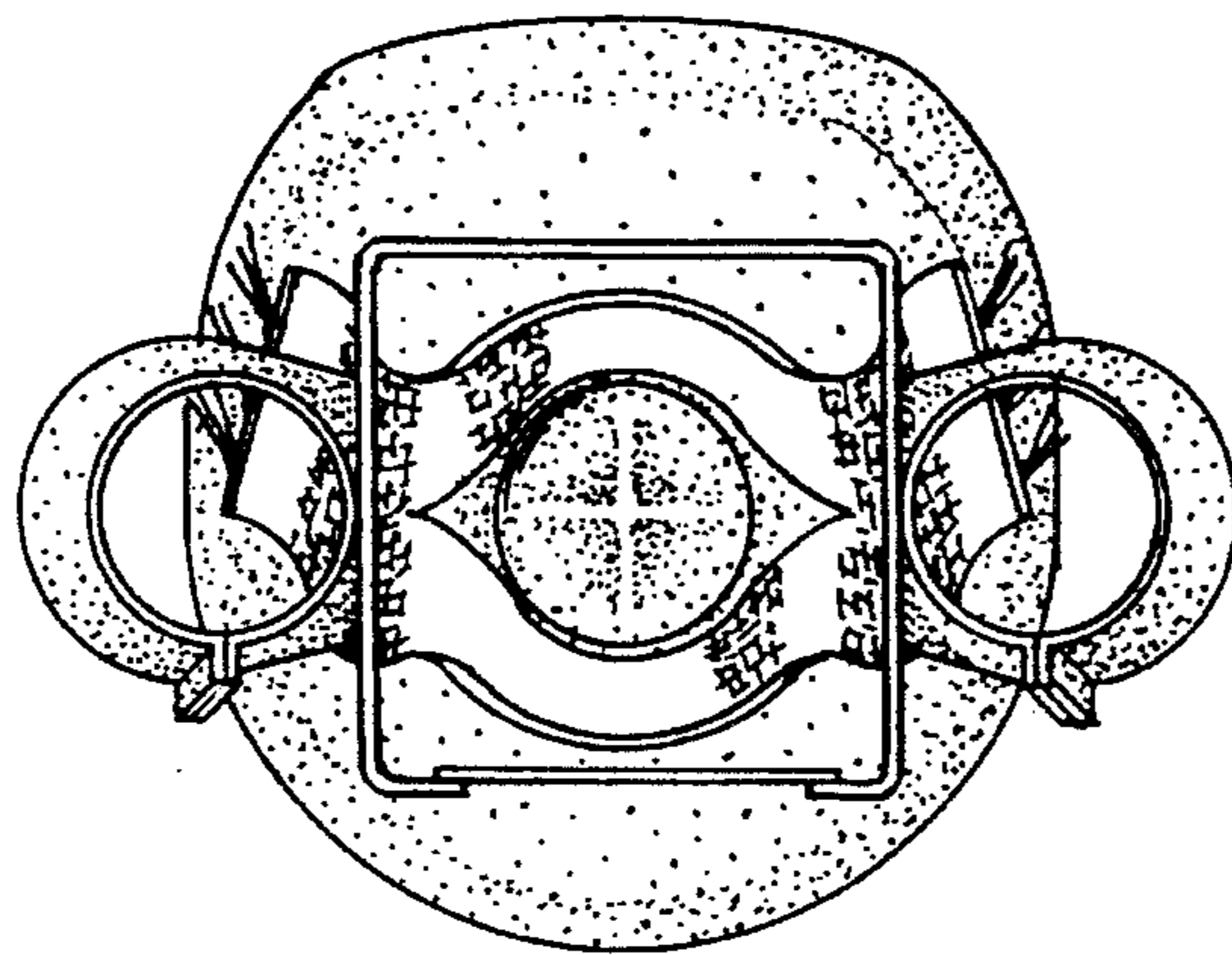
Fig. 3



**fig. 4**



**fig. 5**



**fig. 6**

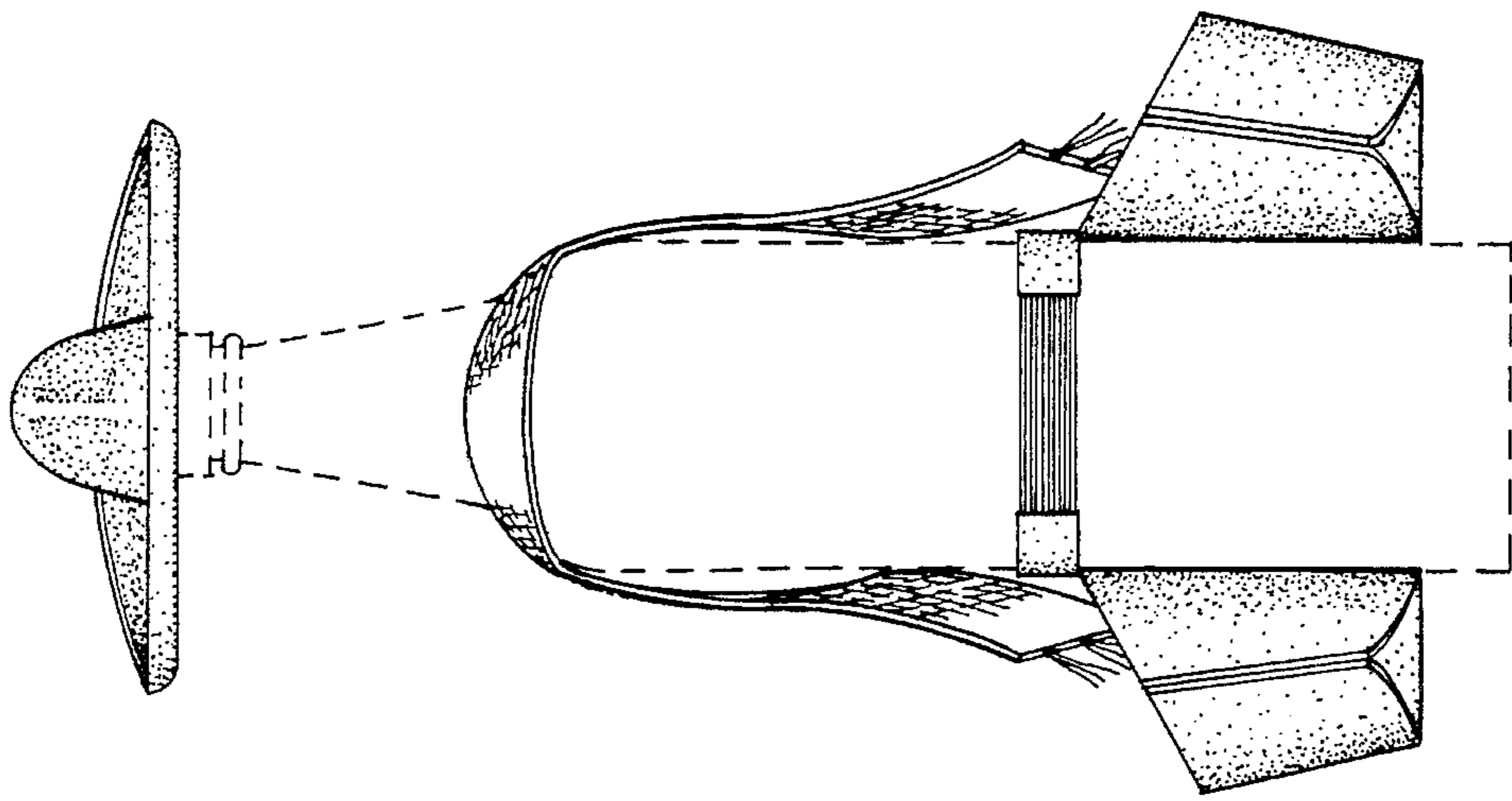


Fig. 1

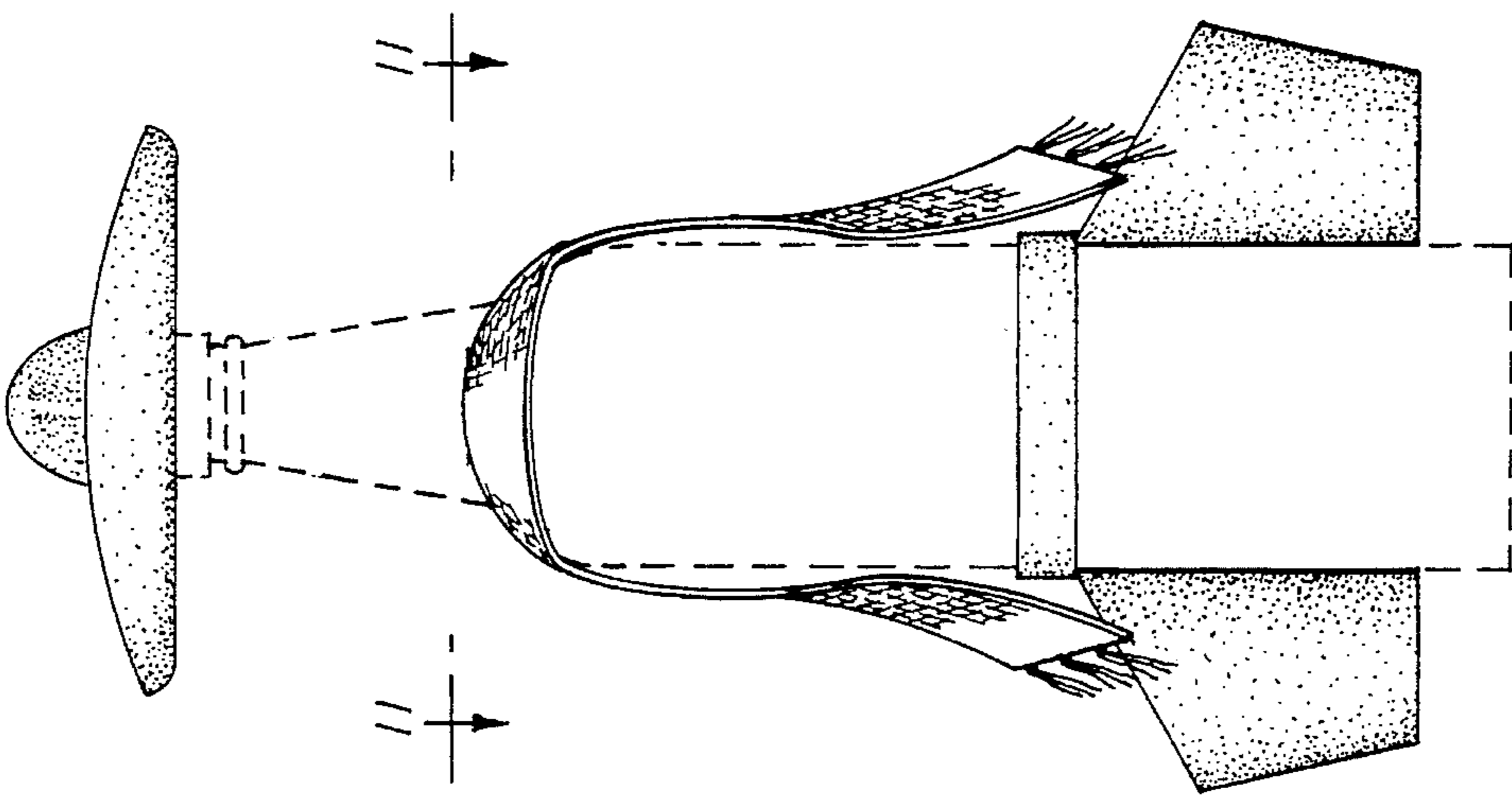


Fig. 2

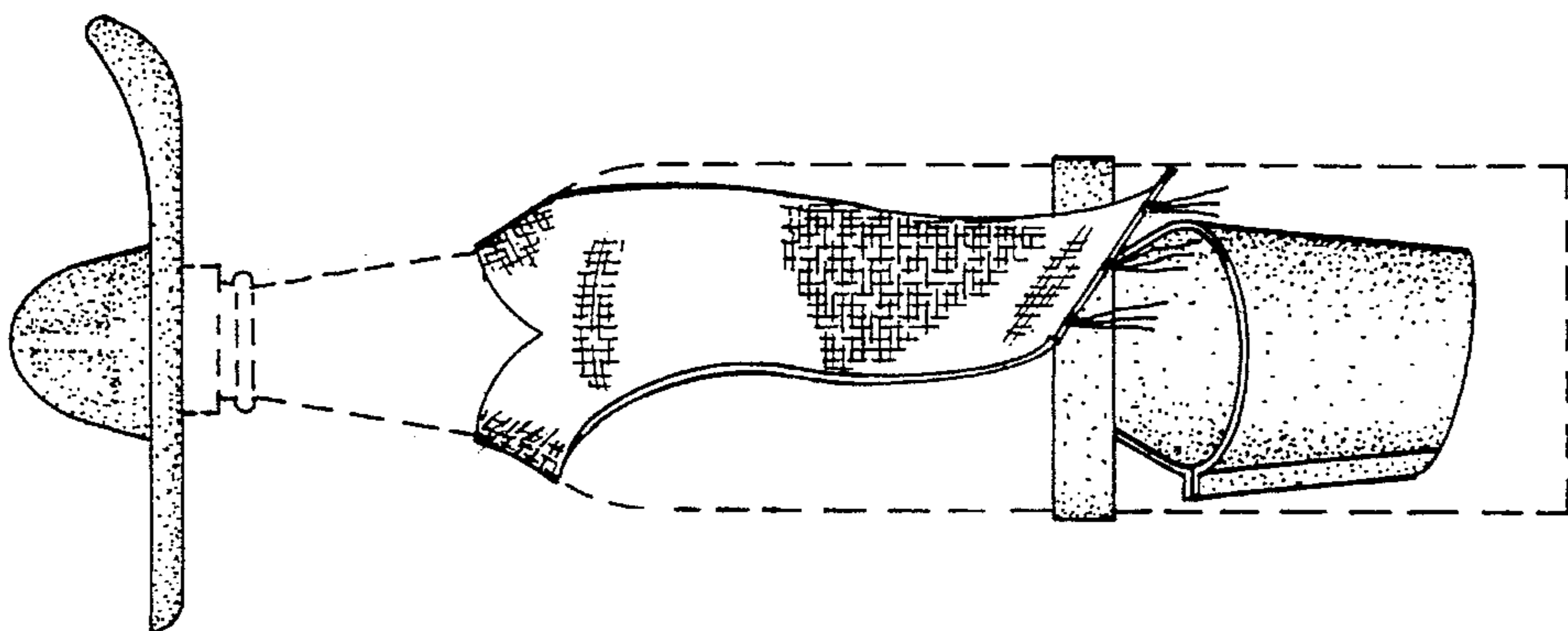
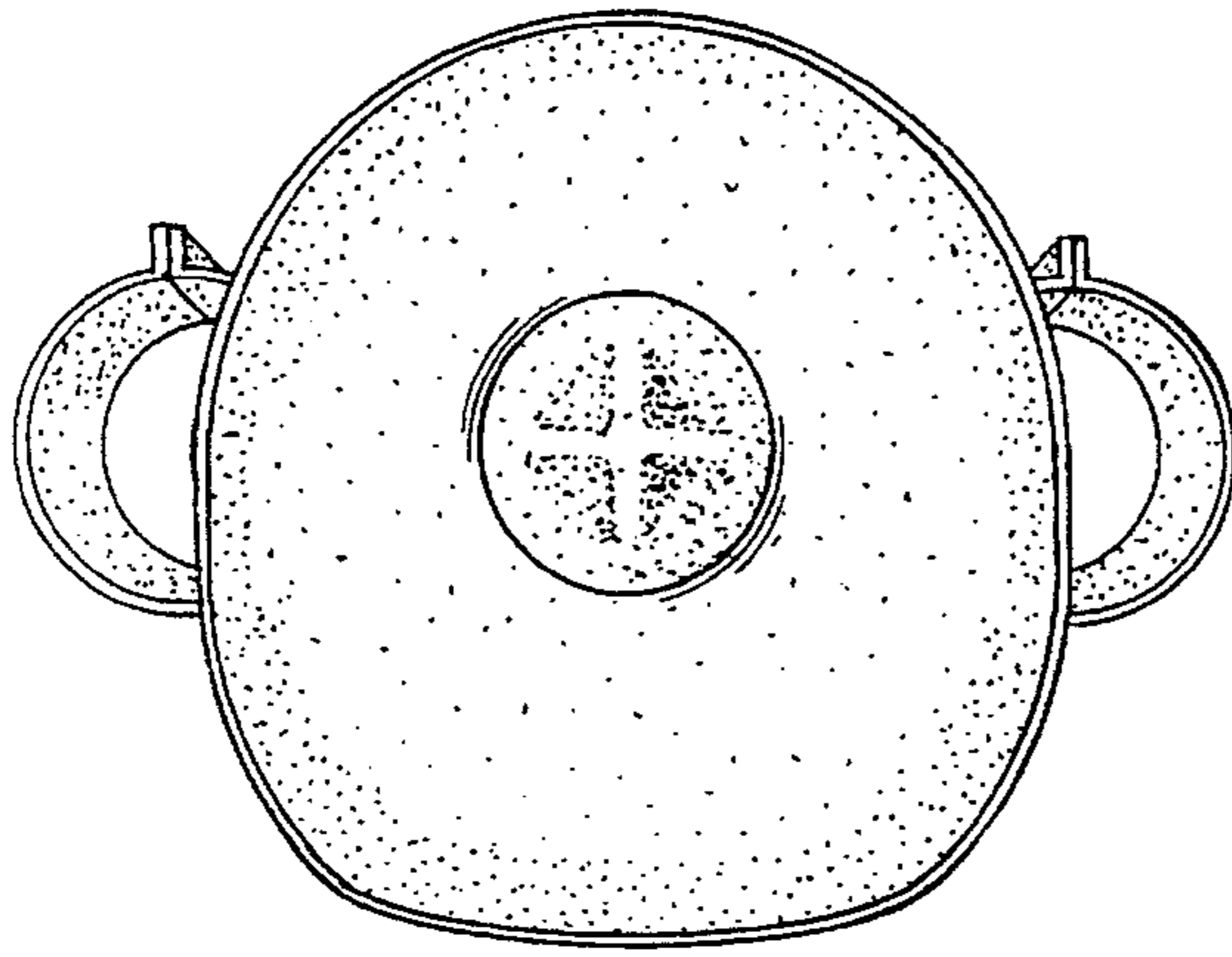
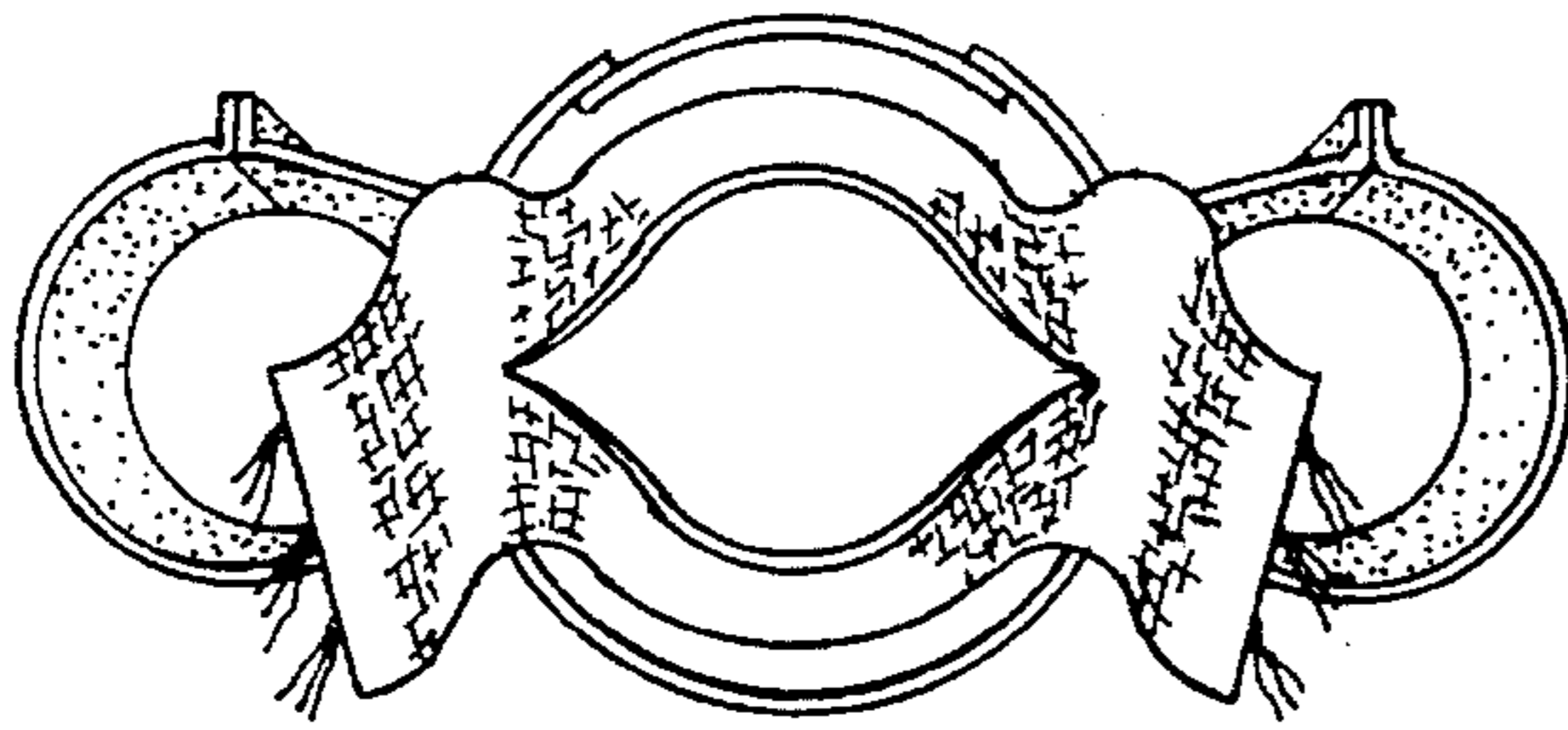


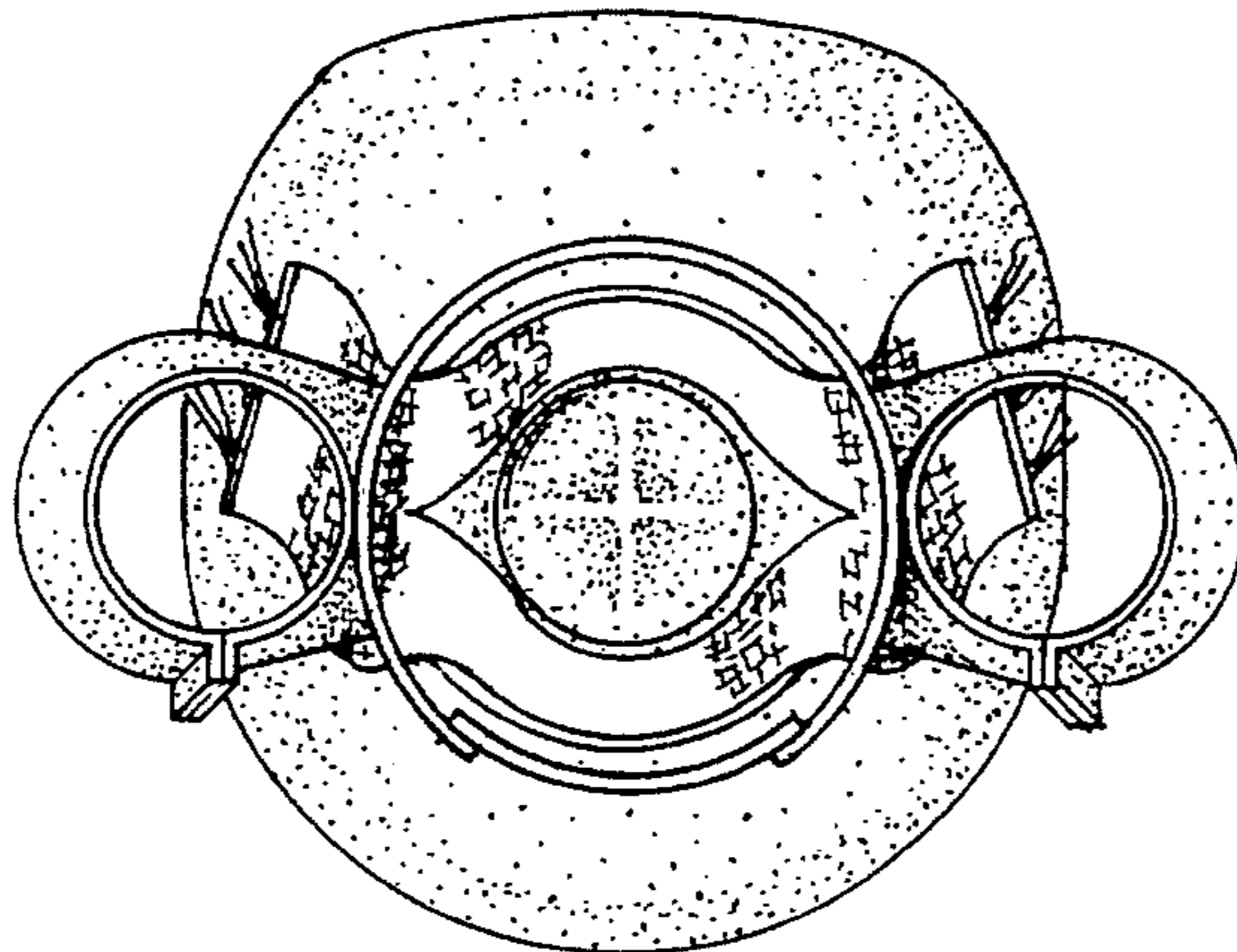
Fig. 3



**fig. 10**



**fig. 11**



**fig. 12**