



US00D378193S

**United States Patent** [19]  
**Gobe**

[11] **Patent Number: Des. 378,193**  
[45] **Date of Patent: \*\*Feb. 25, 1997**

[54] **PAIR OF SURFACE DETAILS FOR AN OVAL BOTTLE**

[75] Inventor: **Marc Gobe**, New York, N.Y.

[73] Assignee: **Bath & Body Works, Inc.**, Columbus, Ohio

[\*\*] Term: **14 Years**

[21] Appl. No.: **36,873**

[22] Filed: **Mar. 28, 1995**

[52] U.S. Cl. .... **D9/434; D9/542; D9/556**

[58] Field of Search ..... **D9/537-543, 556, D9/569, 564, 551; 215/383, 384**

[56] **References Cited**

**U.S. PATENT DOCUMENTS**

- D. 74,066 12/1927 Mas .
- D. 87,726 9/1932 Miller .
- D. 91,520 2/1934 Fuerst ..... D9/569 X
- D. 91,653 3/1934 Guyer ..... 215/383 X
- D. 93,690 10/1934 Steelman .
- D. 94,101 12/1934 Spence .
- D. 99,492 4/1936 Keightley .
- D. 116,016 8/1939 Buckingham ..... D9/542
- D. 124,920 1/1941 Heuisler, Jr. .
- D. 133,574 8/1942 Jackson .
- D. 145,645 9/1946 Runnels .
- D. 161,698 1/1951 Lorenzen ..... D9/542

- D. 182,540 4/1958 Soubier ..... D9/539
- D. 246,896 1/1978 Plummer .
- D. 249,329 9/1978 Schacher et al. .
- D. 269,948 8/1983 Janssen ..... D9/543 X
- D. 299,115 12/1988 Wetherell, Jr. .
- D. 303,084 8/1989 Sedam et al. .... D9/543 X
- D. 309,080 7/1990 Buchholz ..... D9/543
- D. 331,880 12/1992 Wegner, IV et al. .
- D. 332,405 1/1993 Farley .
- D. 339,068 9/1993 Bell et al. .
- D. 340,867 11/1993 Martin .

*Primary Examiner*—Lucy Lieberman  
*Attorney, Agent, or Firm*—Colucci & Umans

[57] **CLAIM**

The ornamental design for a pair of surface details for an oval bottle, as shown and described.

**DESCRIPTION**

FIG. 1 is a front elevational view of a pair of surface details for an oval bottle showing my new design, the rear elevational view being identical;  
FIG. 2 is a side elevational view thereof, the opposite side being identical; and,  
FIG. 3 is a sectional view of the outer wall taken along line 3—3 of FIG. 1 for clarity of illustration.  
The broken lines showing a bottle and cap are for illustrative purposes only and do not form part of the claimed design.

**1 Claim, 1 Drawing Sheet**

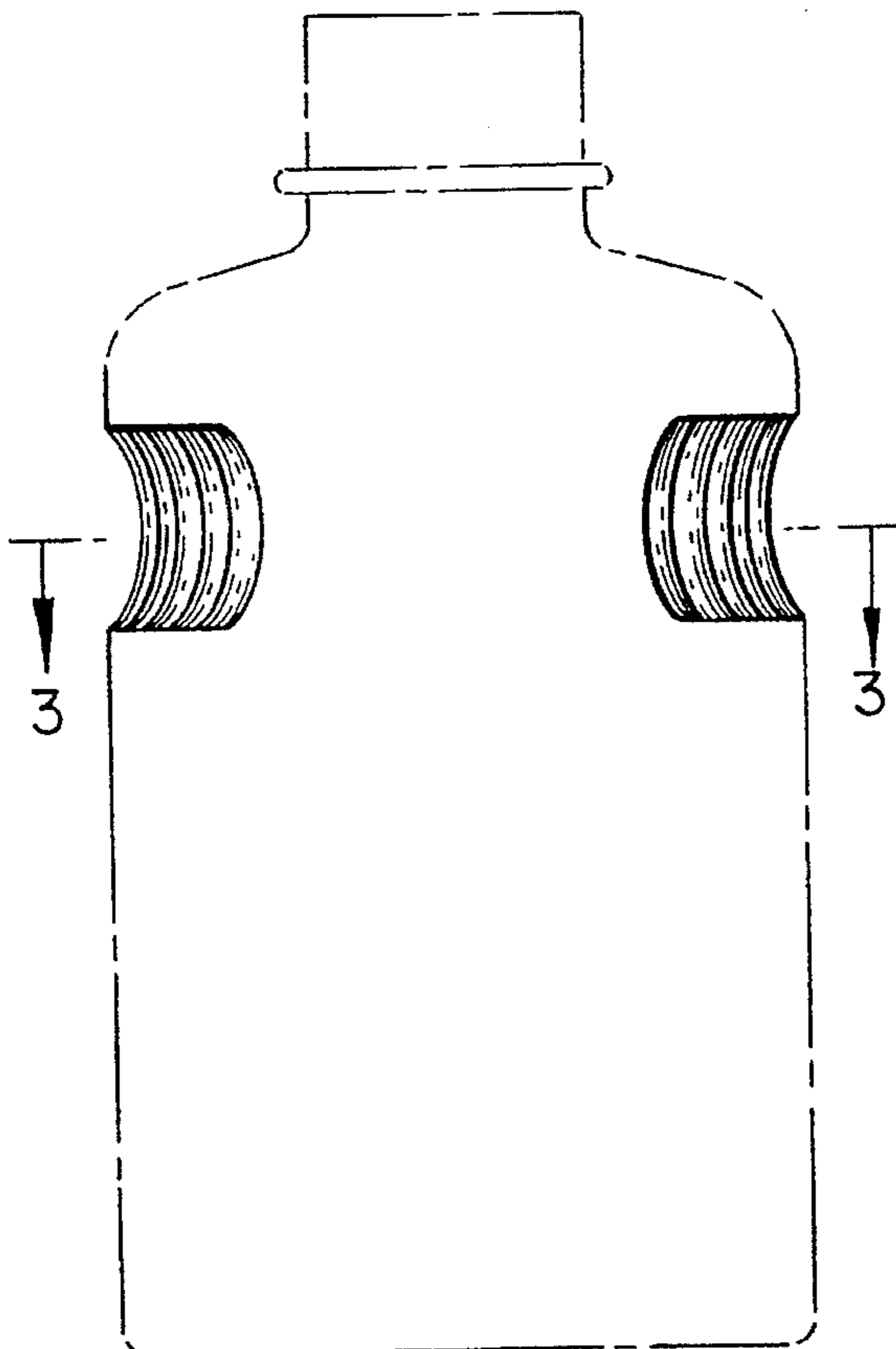


FIG. 1

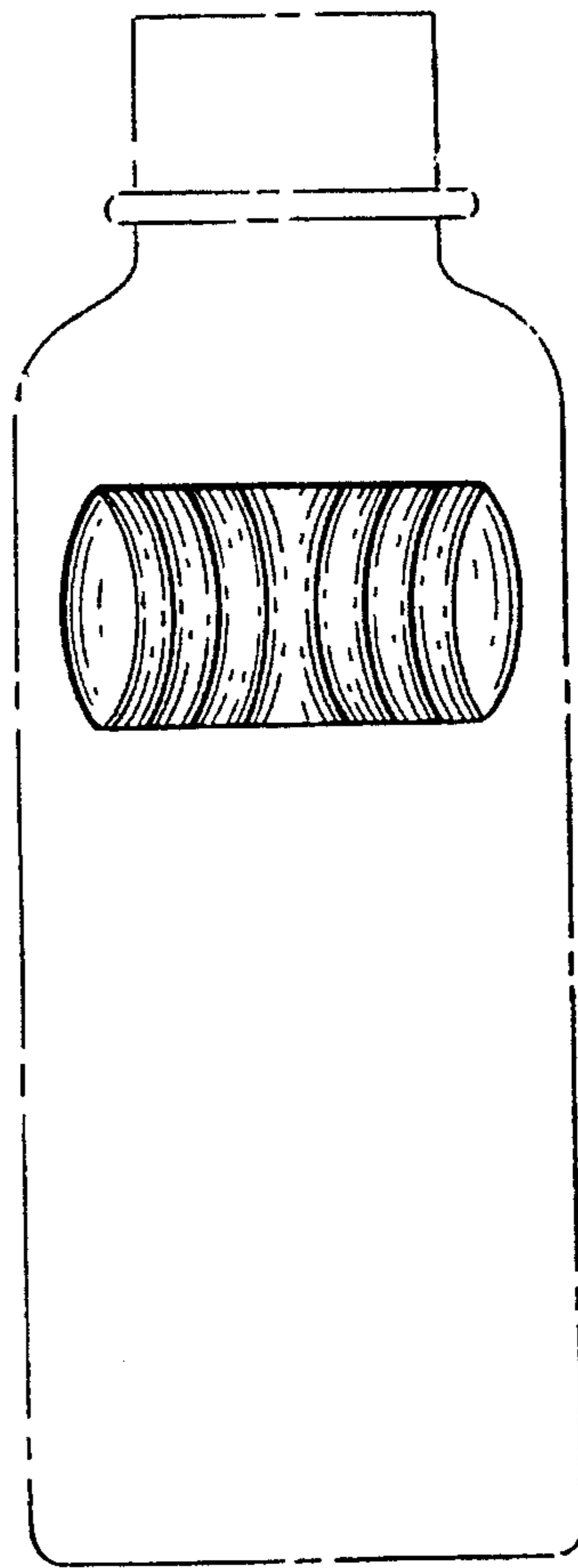
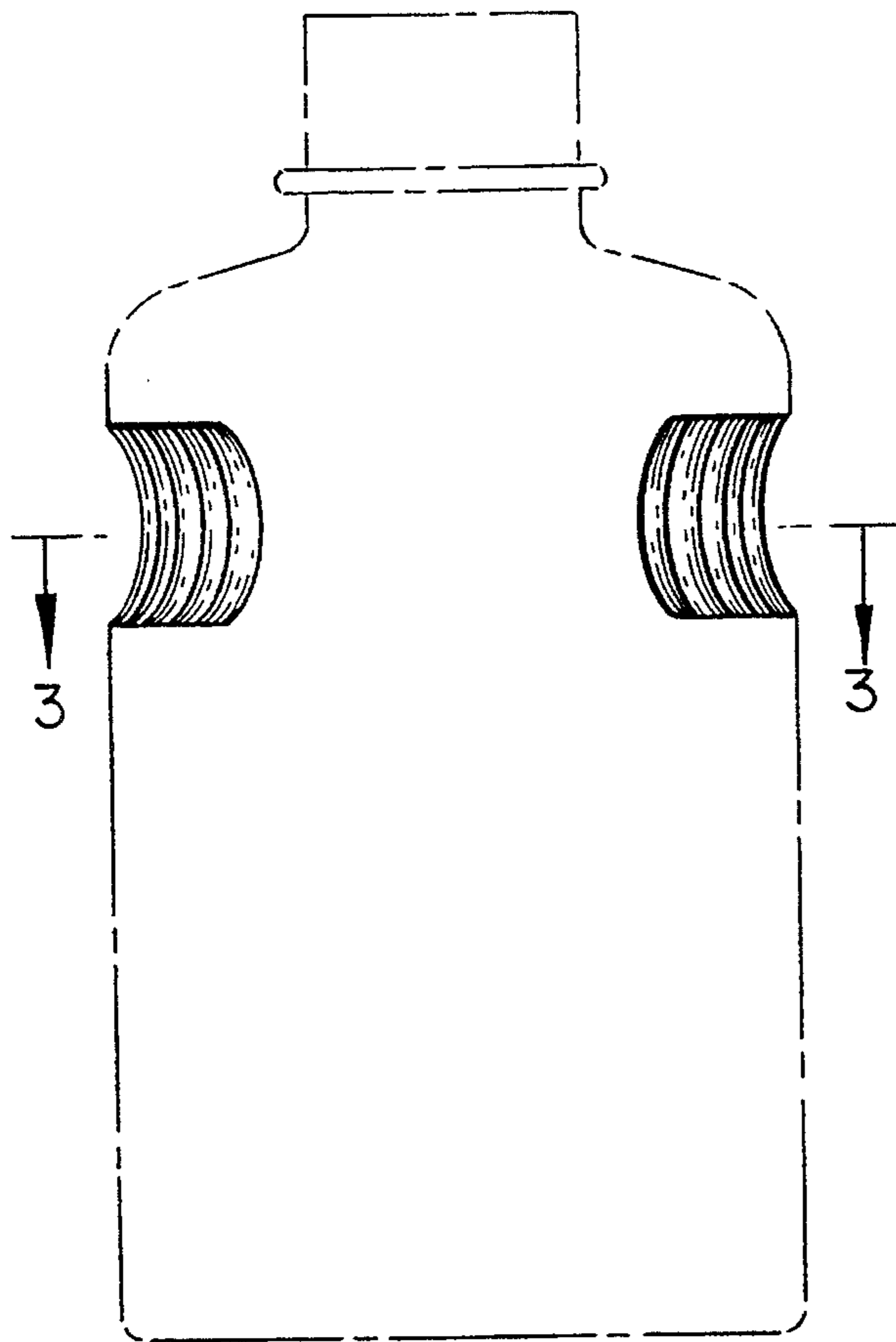


FIG. 2

FIG. 3

