



US00D378191S

United States Patent [19]

[11] Patent Number: **Des. 378,191**

Wehrle et al.

[45] Date of Patent: ****Feb. 25, 1997**

[54] **INTEGRAL DUAL COMPARTMENT CONTAINER**

[75] Inventors: **William R. Wehrle**, Chapel Hill; **Neil P. Stapensea**, Raleigh, both of N.C.; **Douglas J. Mattson**, Liberty, Mo.; **Ted E. Piatt**, Apex, N.C.; **Joseph P. Quinn**, Whippany, N.J.

[73] Assignee: **BASF Corporation**, Mt. Olive, N.J.

[**] Term: **14 Years**

[21] Appl. No.: **47,251**

[22] Filed: **Nov. 30, 1995**

Related U.S. Application Data

- [63] Continuation of Ser. No. 37,718, Apr. 18, 1995, abandoned.
- [52] U.S. Cl. **D9/341; D9/524; D9/528**
- [58] Field of Search **D9/341, 347, 524, D9/527, 528, 520, 531; 215/6, 10, 398, 385; 220/23.4**

[56] **References Cited**

U.S. PATENT DOCUMENTS

- D. 159,531 8/1950 Polime .
- D. 192,980 6/1962 Mangini et al. .
- D. 213,949 4/1969 Lenhart .
- D. 230,708 3/1974 Hutler D9/528
- D. 236,315 8/1975 Russo .
- D. 270,135 8/1983 Gates .
- D. 270,237 8/1983 Hestehave .
- D. 277,552 2/1985 Küng .
- D. 280,599 9/1985 Green .
- D. 284,641 7/1986 Jones D9/524 X
- D. 288,526 3/1987 Parad .
- D. 292,268 10/1987 Costa .
- D. 292,373 10/1987 Costa .
- D. 305,982 2/1990 Gillispie et al. .
- D. 314,510 2/1991 Platte, Sr. .
- D. 319,970 9/1991 Beeman .
- D. 326,606 6/1992 Green .
- D. 333,263 2/1993 Markuzov .
- D. 333,980 3/1993 Schmitt .
- D. 346,113 4/1994 Ferguson et al. .

- 2,826,338 3/1958 Davis .
- 2,883,082 4/1959 Schlumbohm .
- 3,756,470 9/1973 Bagweli et al. .
- 3,811,671 5/1974 Turnbull .
- 4,010,863 3/1977 Ebel .
- 4,125,207 11/1978 Ernst et al. .
- 4,274,556 6/1981 Thiessen .
- 4,294,372 10/1981 Onishi .
- 4,509,639 4/1985 Thompson 220/23.4 X
- 4,548,339 10/1985 Gorman .
- 4,691,828 9/1987 Slusarczyk et al. .
- 4,805,814 2/1989 Allen, Sr. D9/524 X
- 4,860,927 8/1989 Grinde .
- 4,881,652 11/1989 Schiemann .
- 4,889,255 12/1989 Schiemann .
- 5,117,997 6/1992 Fink .
- 5,301,829 4/1994 Chrisco .
- 5,316,159 5/1994 Douglas et al. 215/10

FOREIGN PATENT DOCUMENTS

- 2149569 4/1973 Germany .

OTHER PUBLICATIONS

Drug & Cosmetic Industry, May 1985, p. 64, O. Berk Co. "Twin-Pack" containers.

Primary Examiner—Lucy Lieberman

Attorney, Agent, or Firm—Nixon & Vanderhye P.C.

[57] **CLAIM**

The ornamental design for an "integral dual compartment container", as shown and described.

DESCRIPTION

FIG. 1 is a front perspective view of the integral dual compartment container according to this invention showing our new design therefor;

FIG. 2 is a front elevation of the integral dual compartment container shown in FIG. 1, the rear elevation is the same; FIG. 3 is a right side elevation thereof, the left side elevation is the same;

FIG. 4 is a top view of the integral dual compartment container shown in FIG. 1; and,

FIG. 5 is a bottom view of the integral dual compartment container shown in FIG. 1.

1 Claim, 4 Drawing Sheets

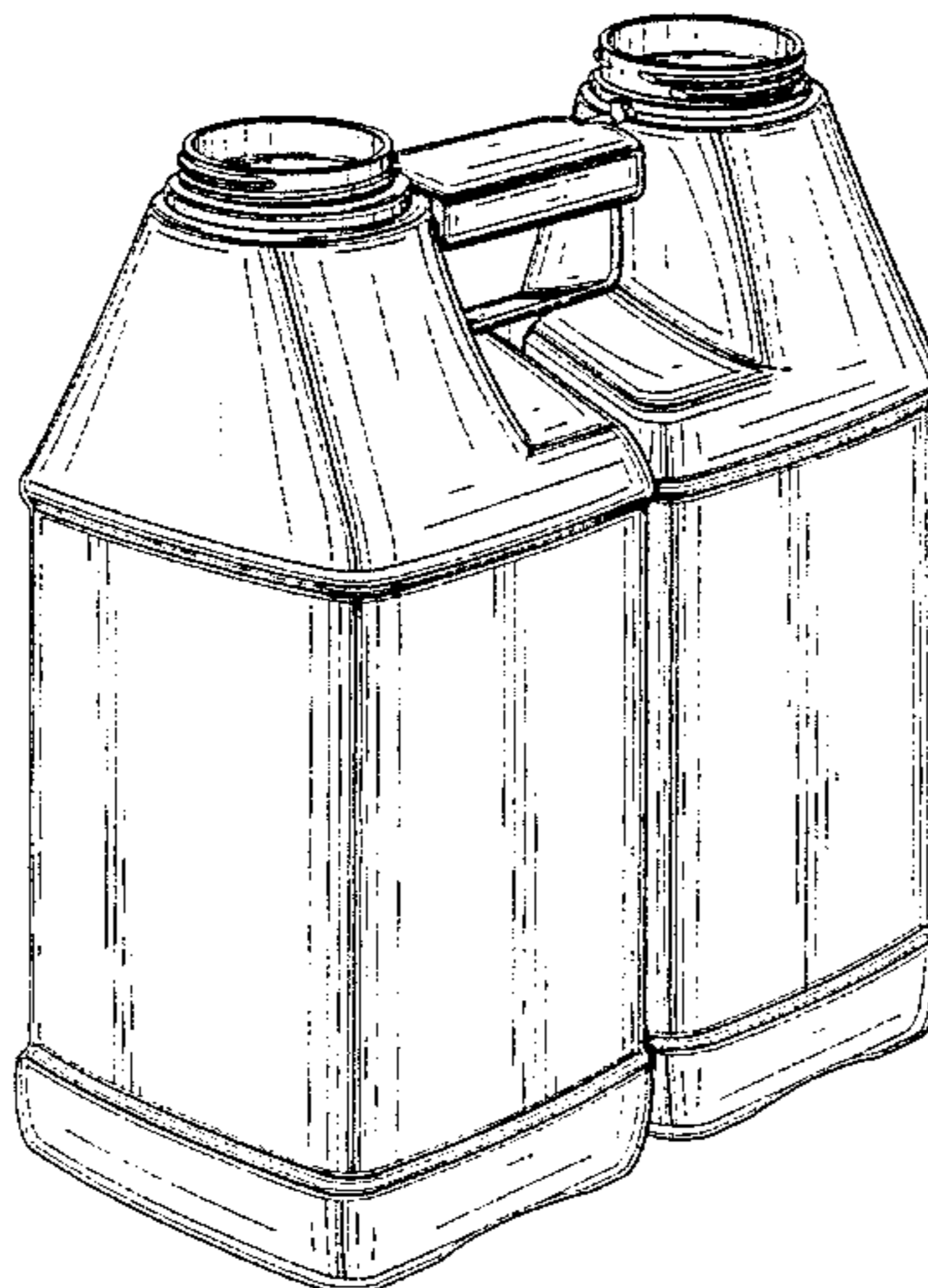


FIG. 1

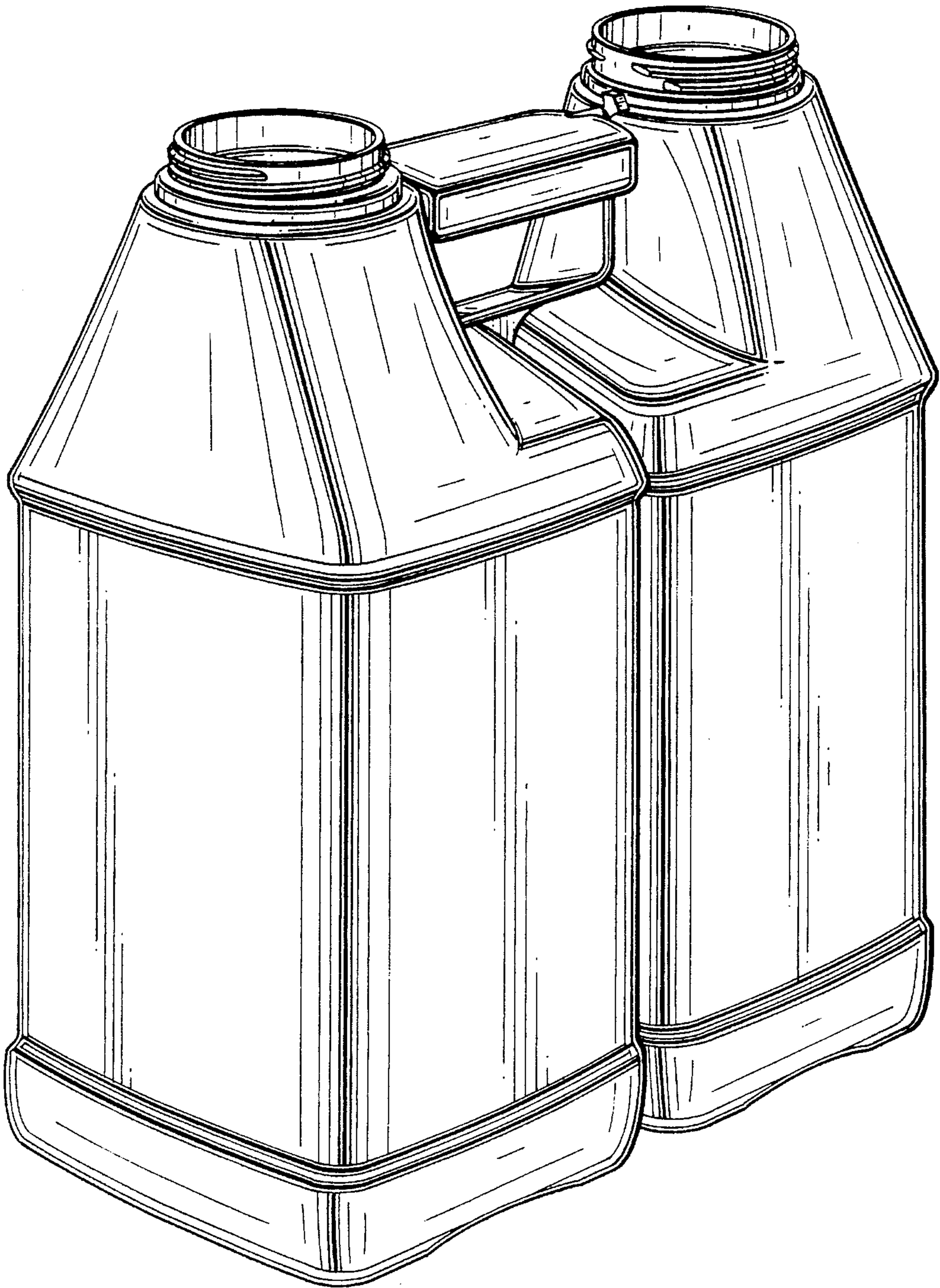


FIG. 2

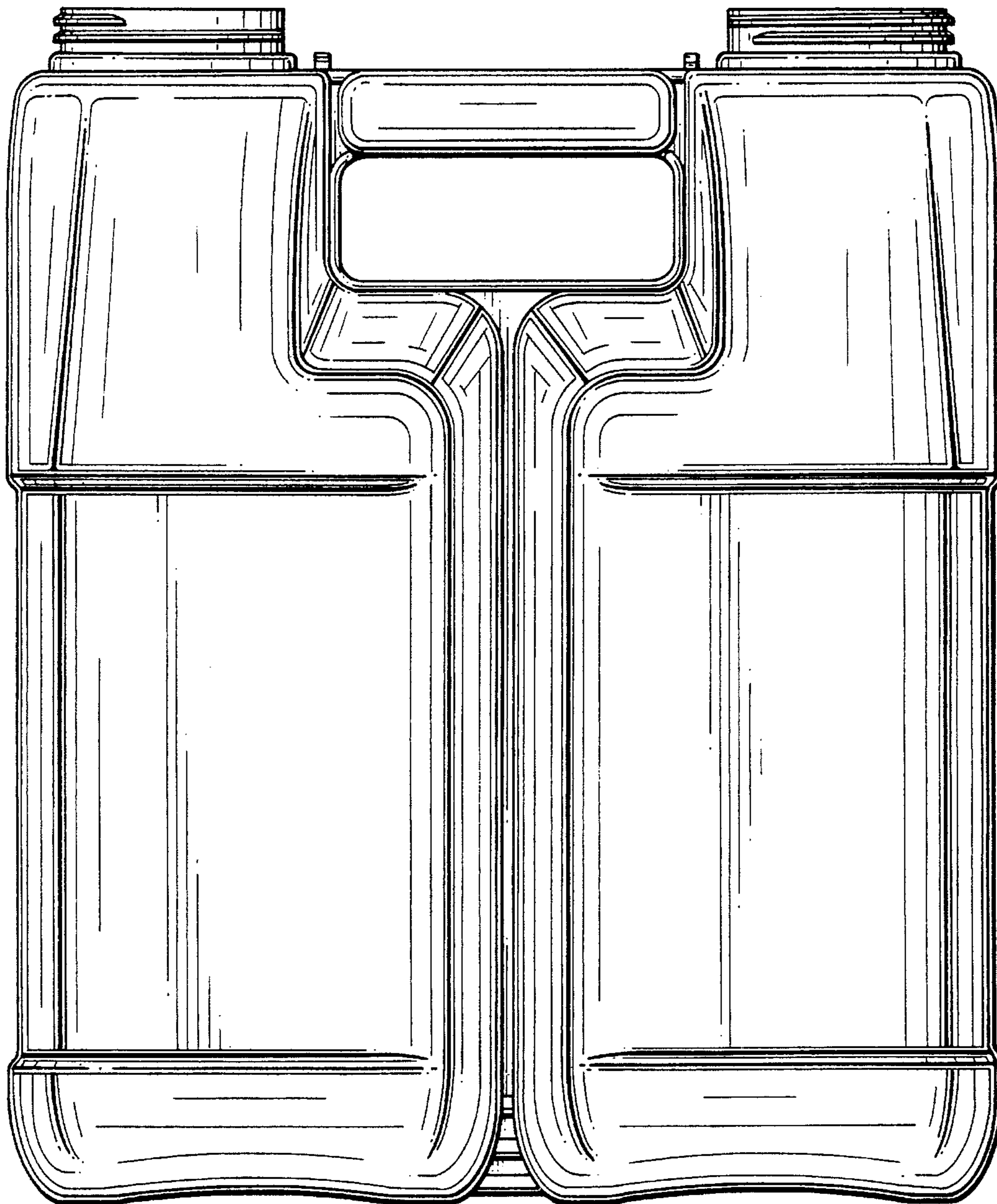
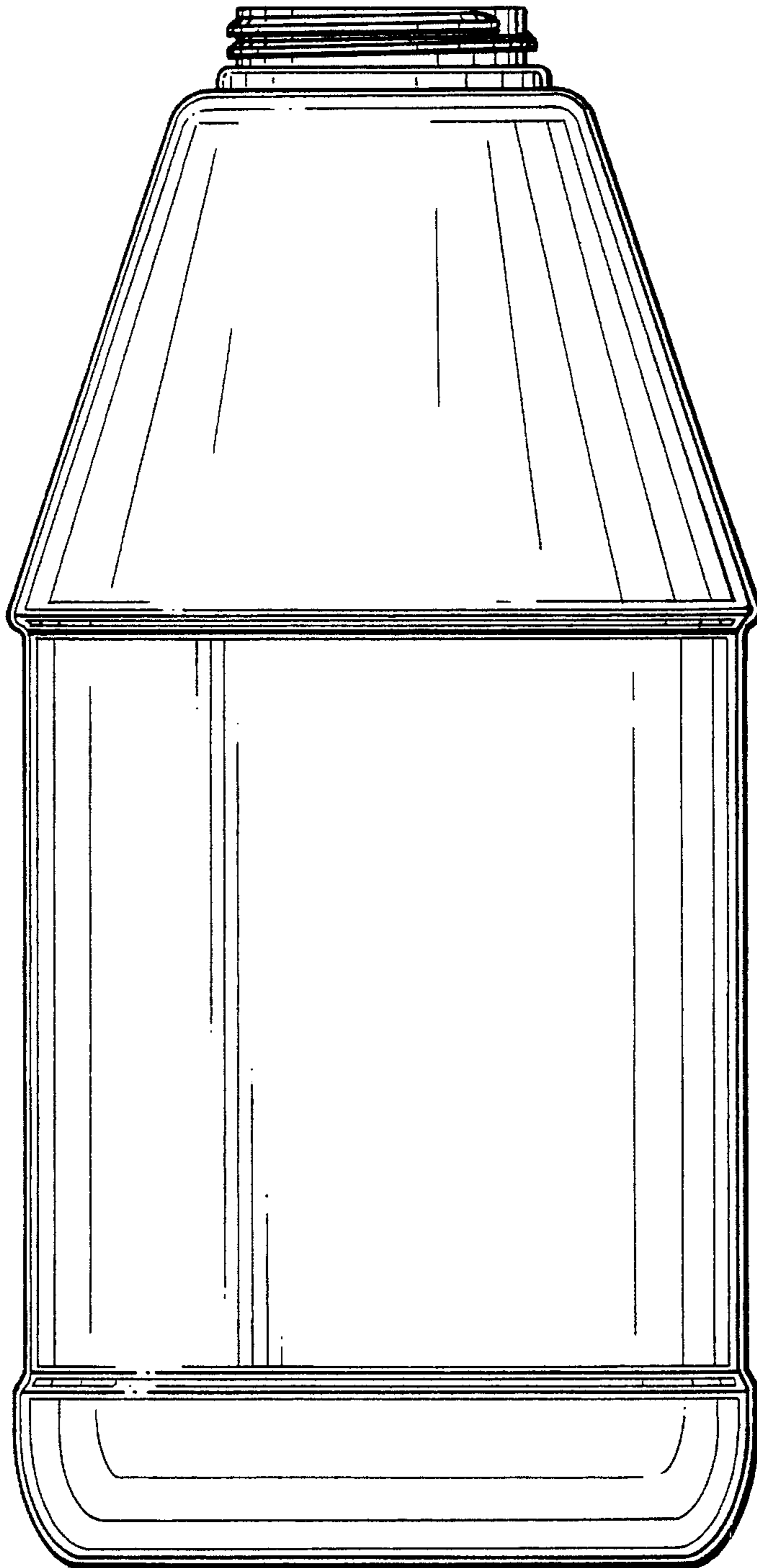


FIG. 3



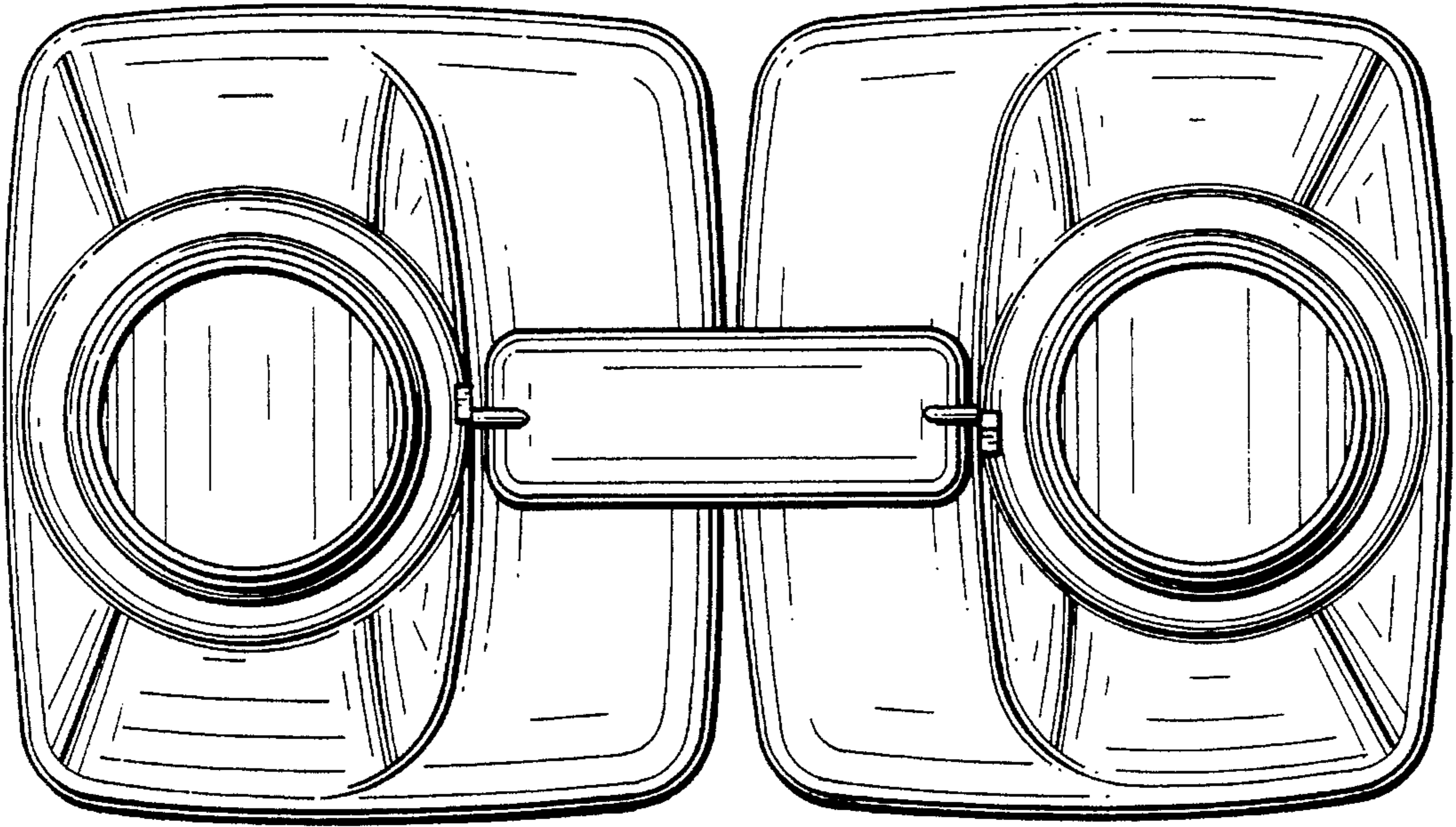


FIG. 4

FIG. 5

