



US00D378189S

# United States Patent [19]

[11] Patent Number: Des. 378,189

Small et al.

[45] Date of Patent: \*\*Feb. 25, 1997

[54] PADLOCK PROTECTIVE GUARD

Primary Examiner—Brian N. Vinson

[76] Inventors: Michael H. Small, 4966 Red Bluff Rd.,  
Riverside, Calif. 92503; Kevin E.  
Small, 270 Main St., Cedarville, Calif.  
96104

[57] CLAIM

The ornamental design for a padlock protective guard, as shown and described.

[\*\*] Term: 14 Years

### DESCRIPTION

[21] Appl. No.: 40,866

FIG. 1 is a front elevational view of a padlock protective guard showing our new design;

[22] Filed: Jun. 29, 1995

FIG. 2 is a rear elevational view thereof;

[52] U.S. Cl. .... D8/346

FIG. 3 is a top plan view thereof;

[58] Field of Search ..... D8/343, 346; 70/54-56,  
70/158, 163-164, DIG. 43, DIG. 56

FIG. 4 is a bottom plan view thereof;

FIG. 5 is a right side elevational view thereof, the left side being a mirror image of that shown;

[56] References Cited

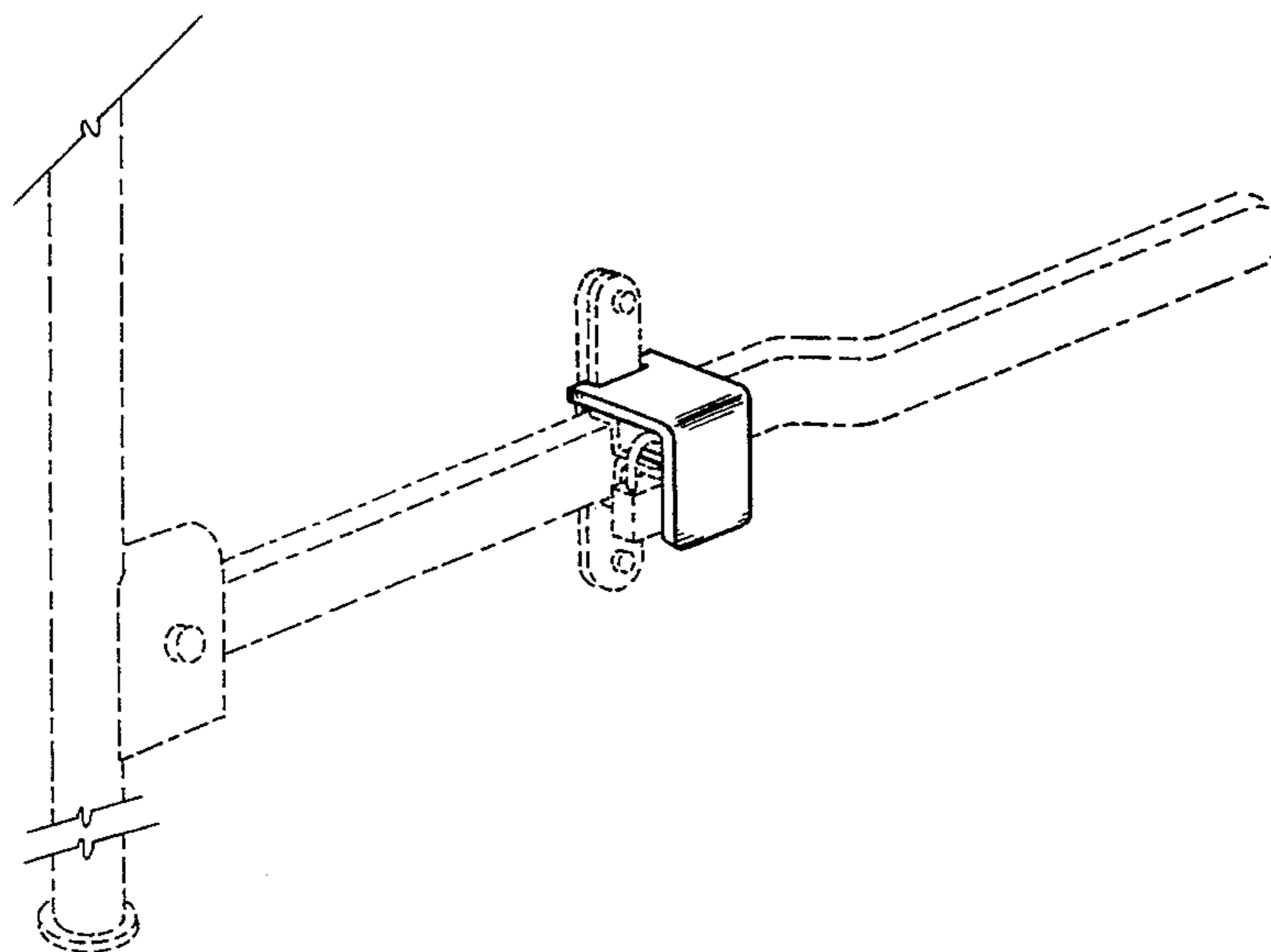
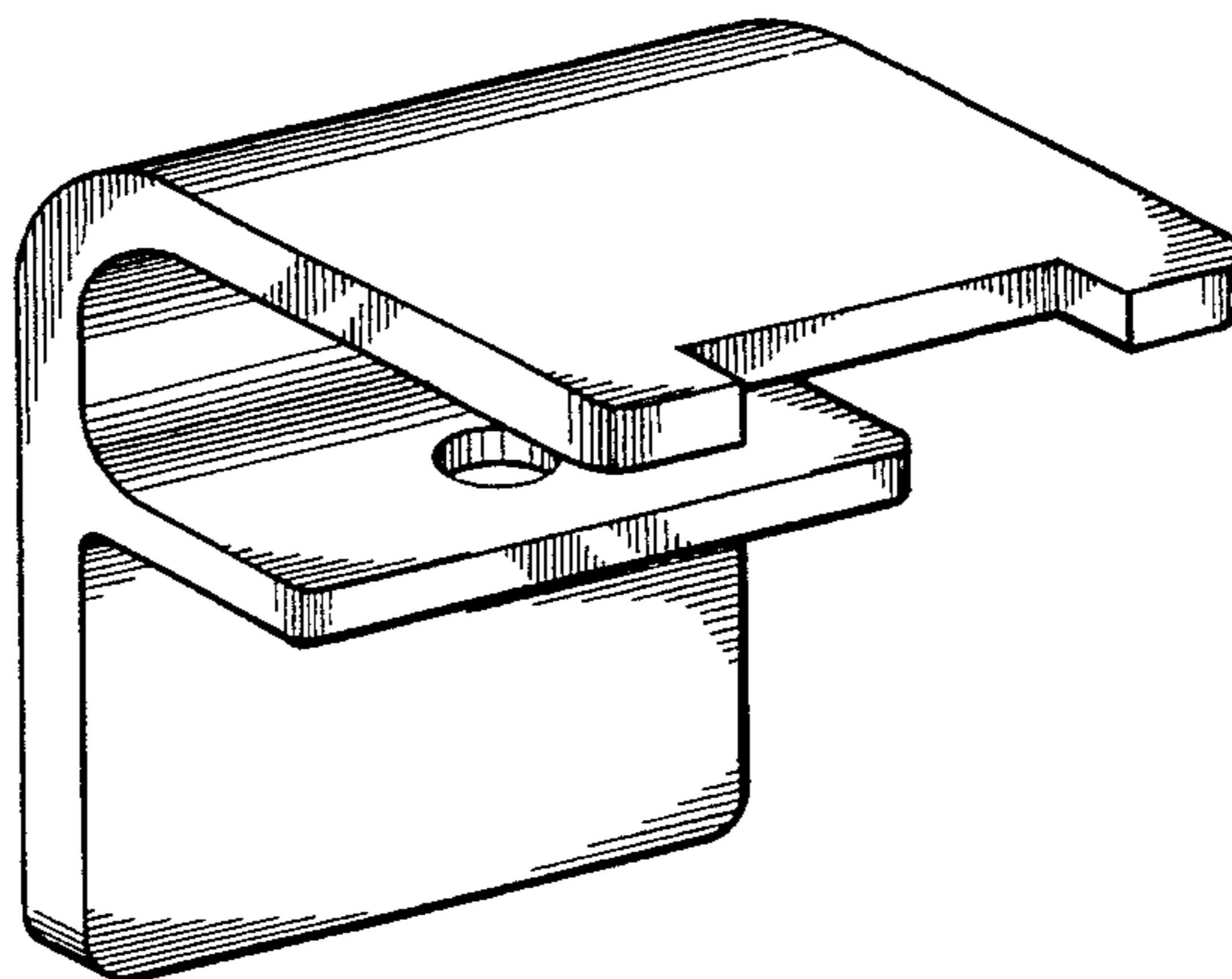
FIG. 6 is a top, rear, and right side perspective view thereof; and,

#### U.S. PATENT DOCUMENTS

FIG. 7 is a reduced top, front, and left side perspective view thereof, with the broken-line disclosure of lock equipment being shown for illustrative purposes only and forming no part of the claimed design.

D. 296,186	6/1988	Korn	.....	D8/346
D. 317,557	6/1991	Poe	.....	D8/346 X
D. 329,800	9/1992	Pearson	.....	D8/346
4,238,941	12/1980	Halopoff	.....	70/56 X
4,566,296	1/1986	Kochakis	.....	70/56
5,179,848	1/1993	Kief	.....	70/54 X

1 Claim, 7 Drawing Sheets



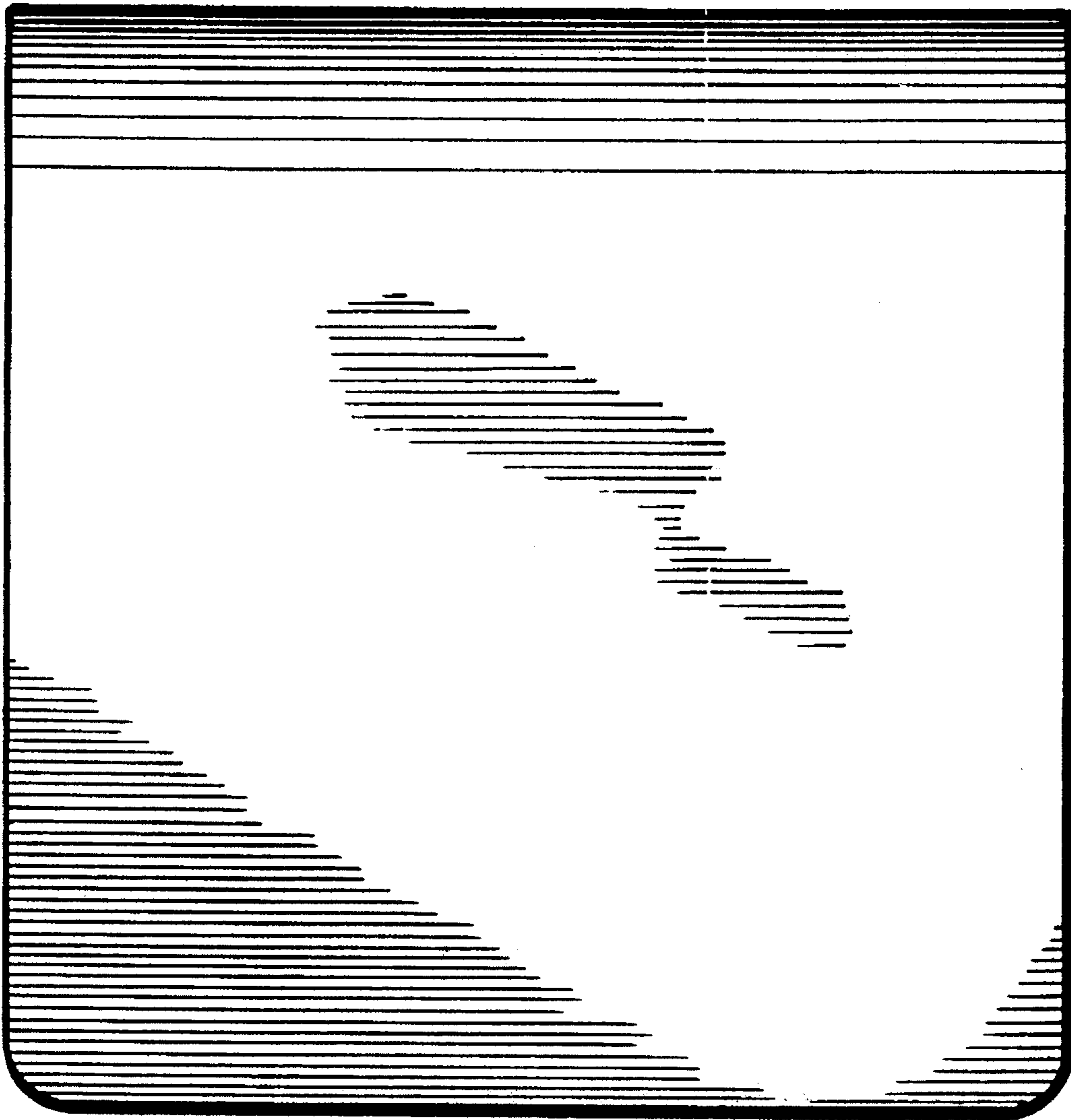


FIG. 1

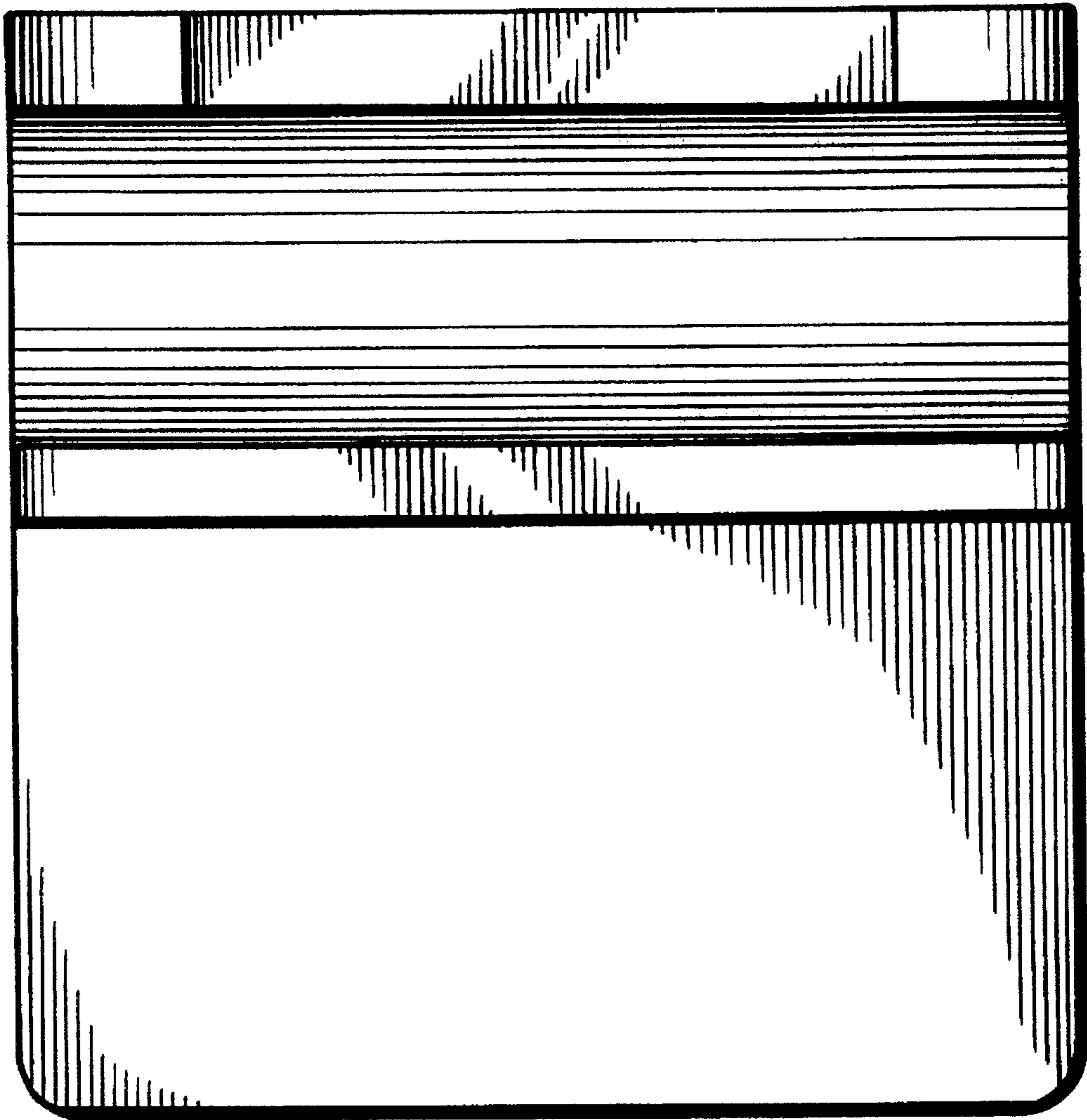


FIG. 2

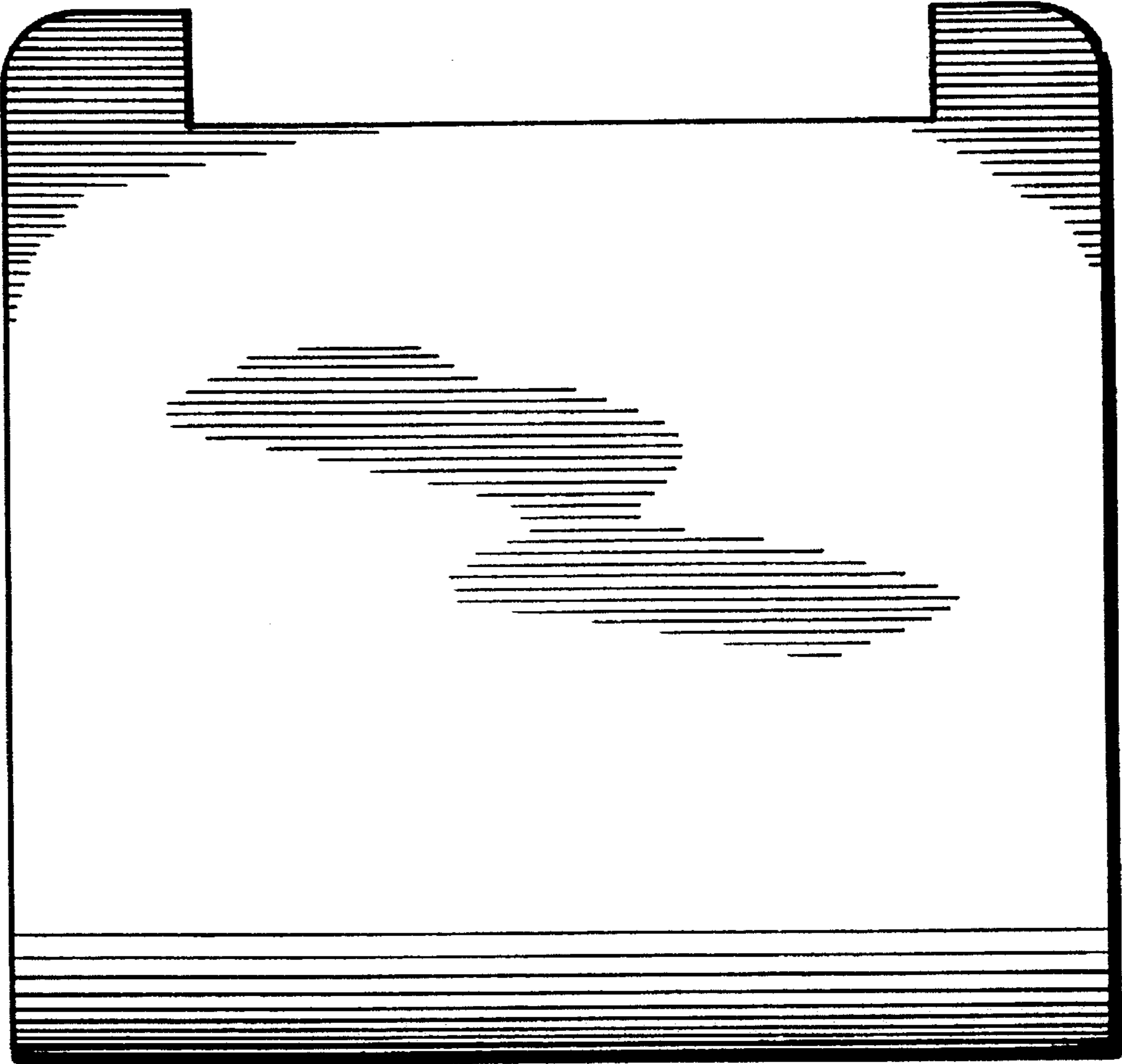


FIG. 3

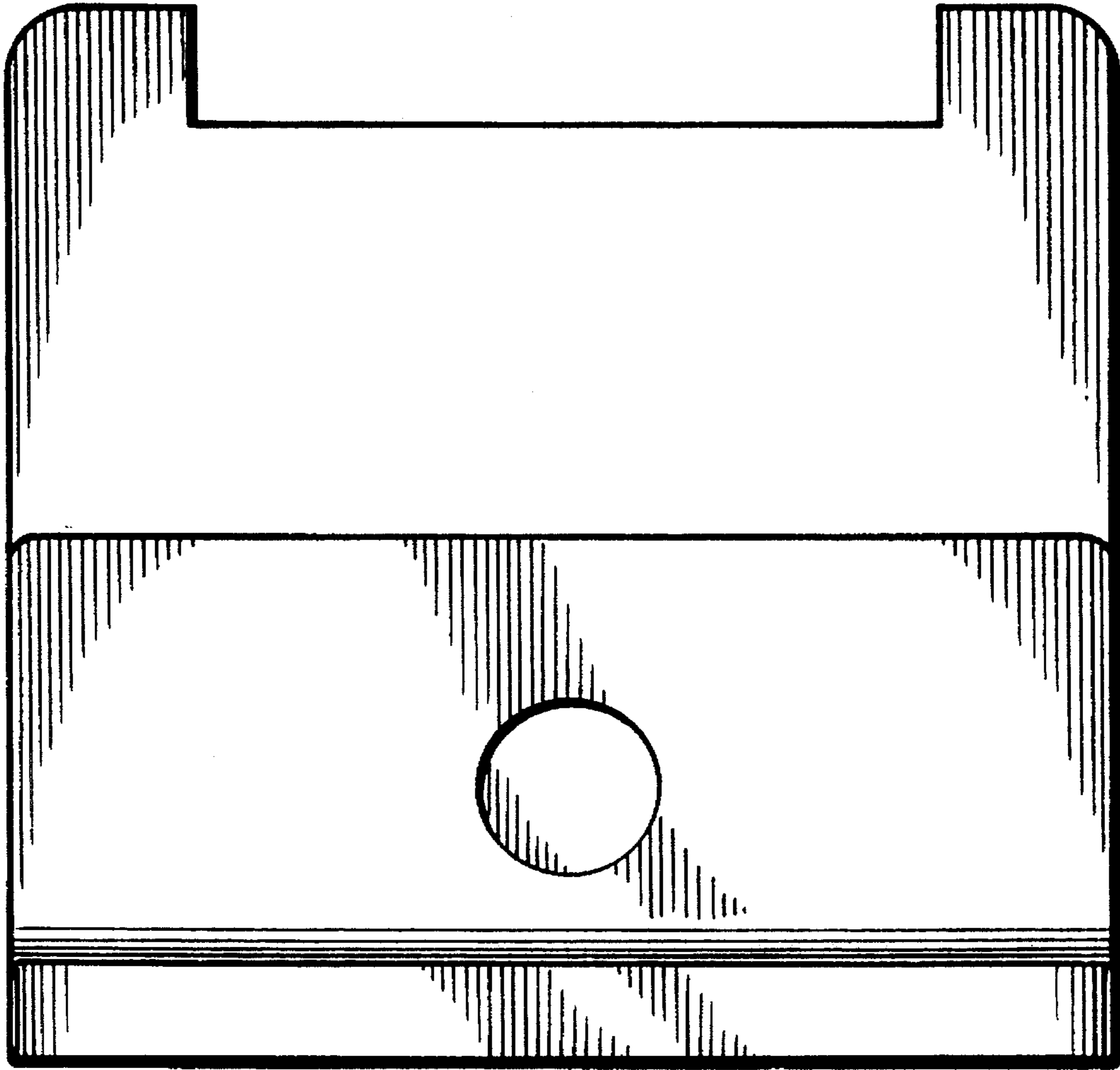


FIG. 4

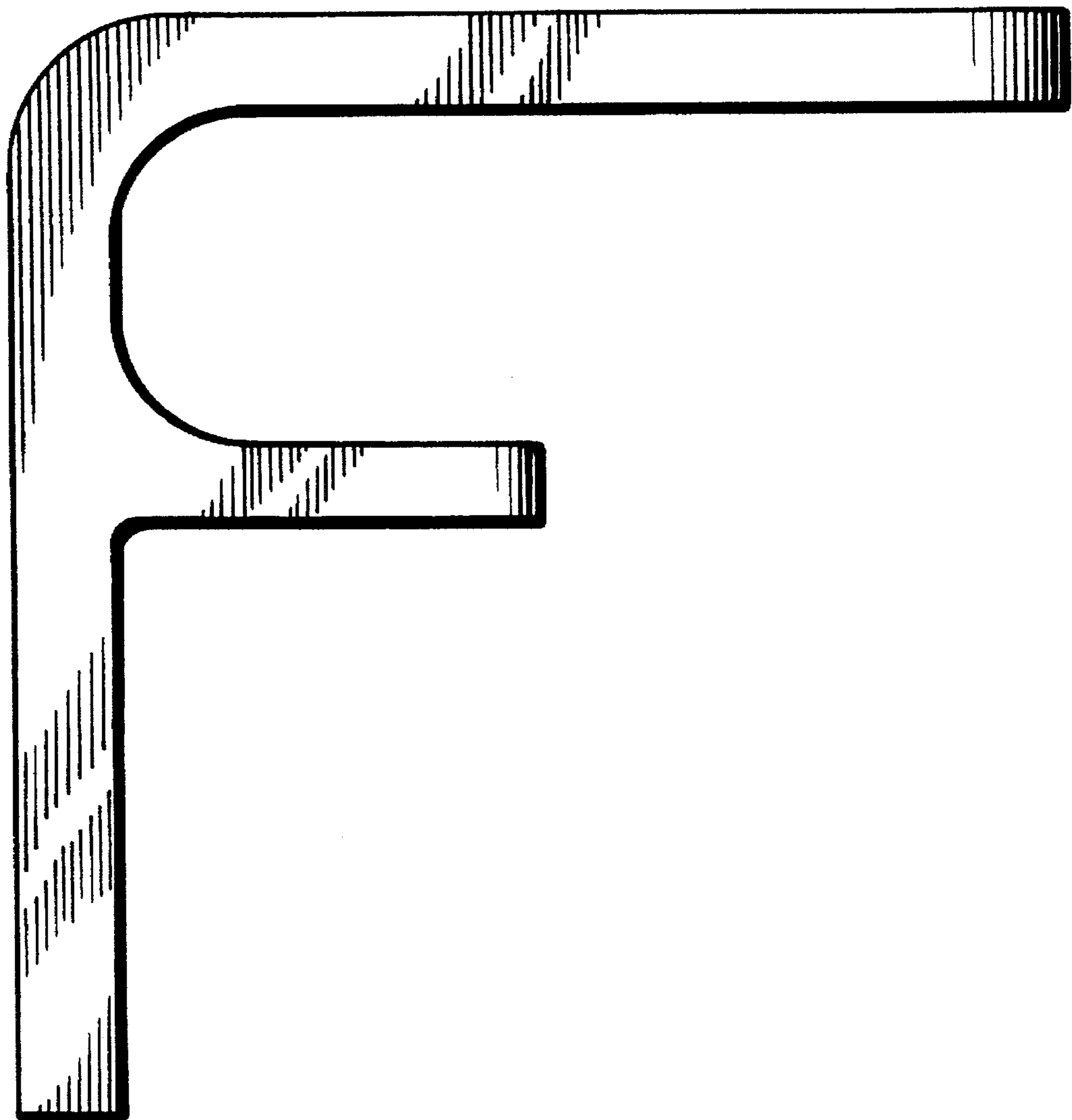


FIG. 5

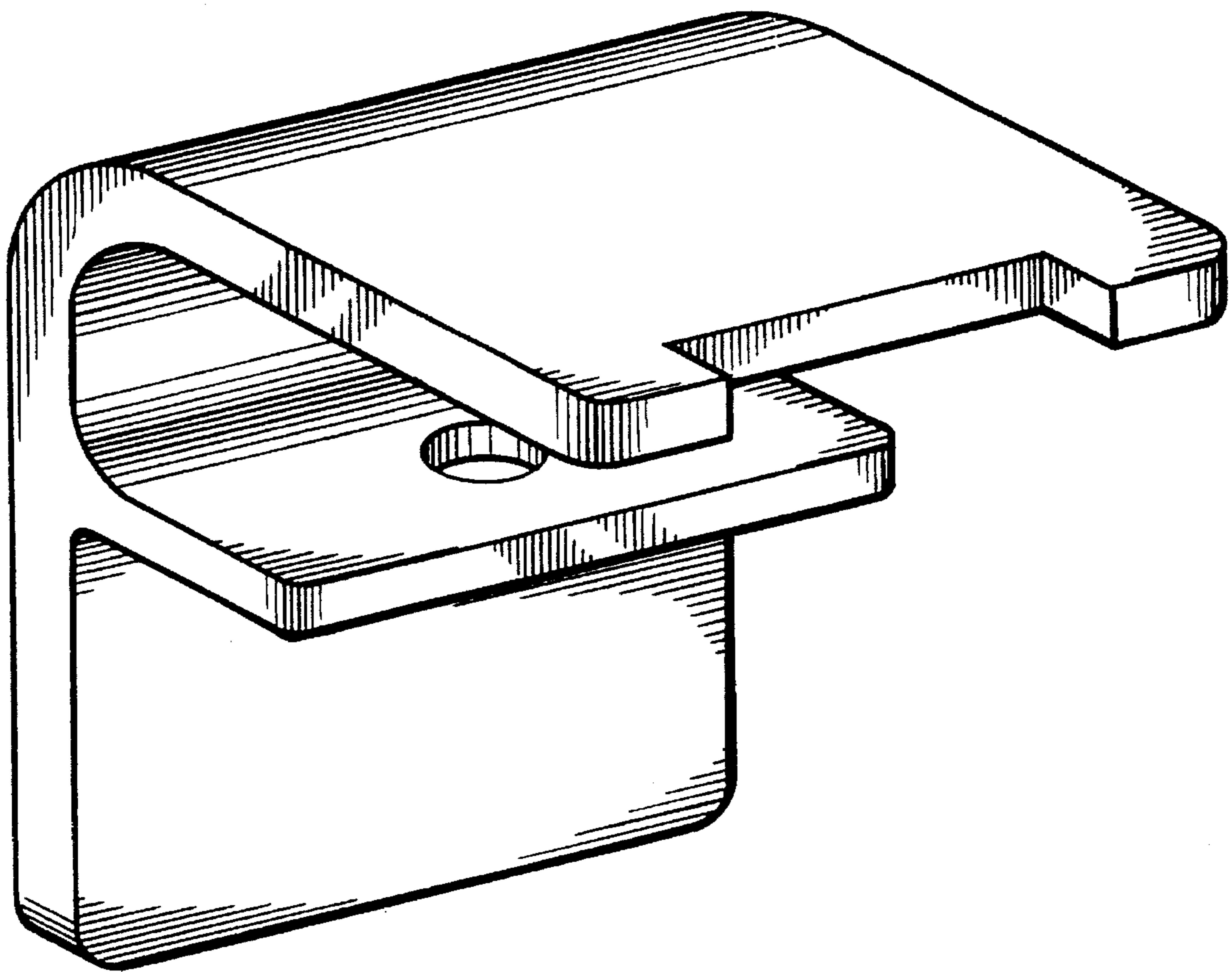


FIG. 6



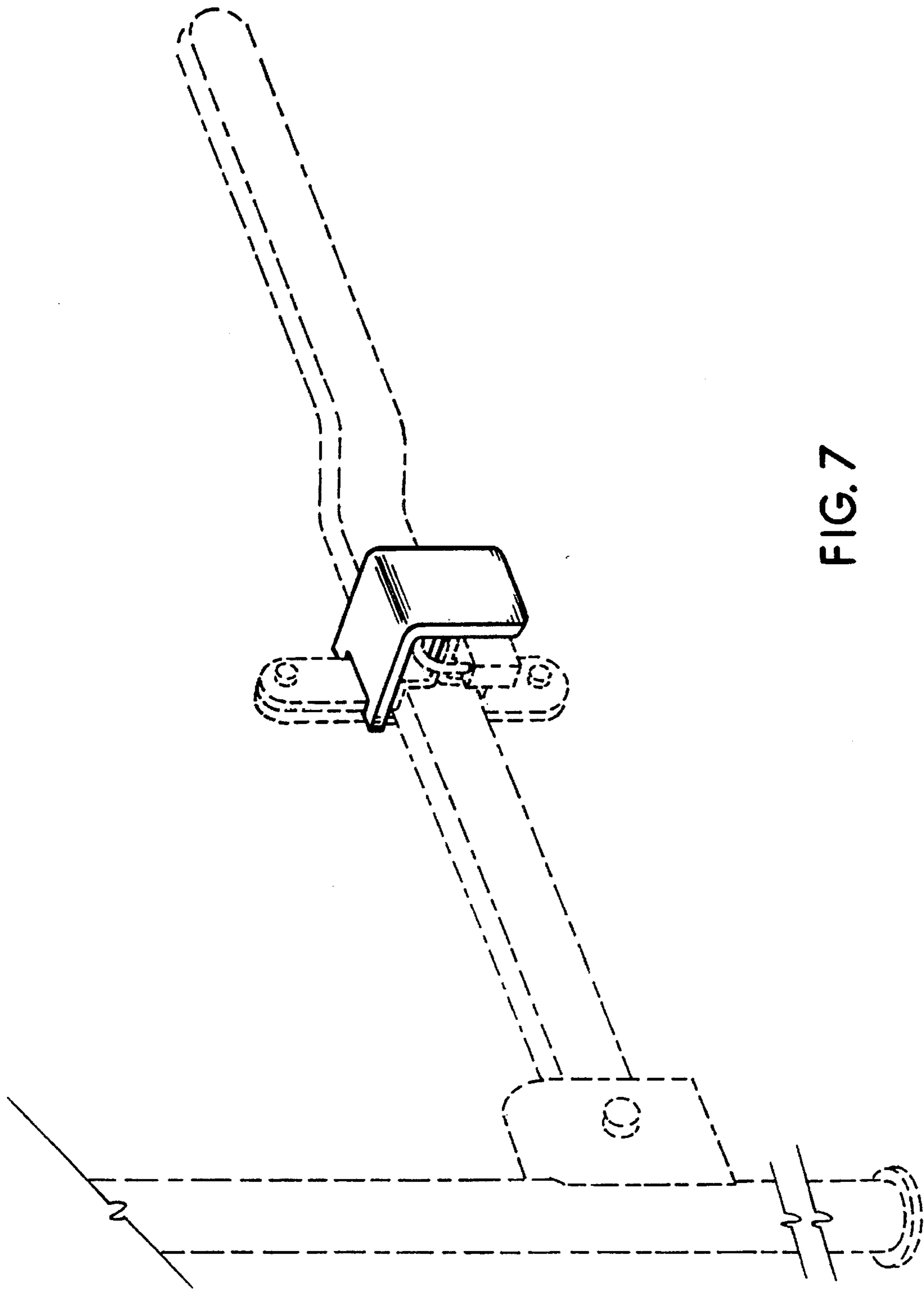


FIG. 7