



US00D378187S

United States Patent [19]

Eddie

[11] Patent Number: **Des. 378,187**

[45] Date of Patent: ****Feb. 25, 1997**

[54] **MULTI-PURPOSE HAND TOOL**

[76] Inventor: **Rod Eddie**, 14 Bridge St., Cornwall, N.Y. 12518

[**] Term: **14 Years**

[21] Appl. No.: **51,749**

[22] Filed: **Mar. 18, 1996**

[52] U.S. Cl. **D8/88; D8/89; D8/105**

[58] Field of Search **D8/88, 89, 105, D8/14; 7/166; 254/17, 25, 113, 120, 131**

[56] **References Cited**

U.S. PATENT DOCUMENTS

D. 55,792	7/1920	Hudgins	D8/89
D. 103,141	2/1937	White	D8/89
D. 133,484	8/1942	Orr	D8/89
D. 351,326	10/1994	Schwengel	D8/88
2,680,003	6/1954	Feinstein	7/166
2,759,383	8/1956	Mrazik	7/166
2,852,228	9/1958	Latiolais	.	

2,896,910	7/1959	Cooper et al.	7/166
2,937,004	5/1960	Striani	7/166
3,680,834	8/1972	Holloway	7/166
4,512,554	4/1985	Racine	254/131
4,656,895	4/1987	Wilson	7/166
4,762,303	8/1988	Thomas	254/25

Primary Examiner—Philip S. Hyder

[57] **CLAIM**

The ornamental design for the multi-purpose hand tool, as shown and described.

DESCRIPTION

FIG. 1 is a perspective view of the multi-purpose hand tool showing my new design;
FIG. 2 is a front elevational view thereof;
FIG. 3 is a rear elevational view thereof;
FIG. 4 is a left side elevational view thereof;
FIG. 5 is a right side elevational view thereof; and,
FIG. 6 is a top plan view thereof.

1 Claim, 3 Drawing Sheets

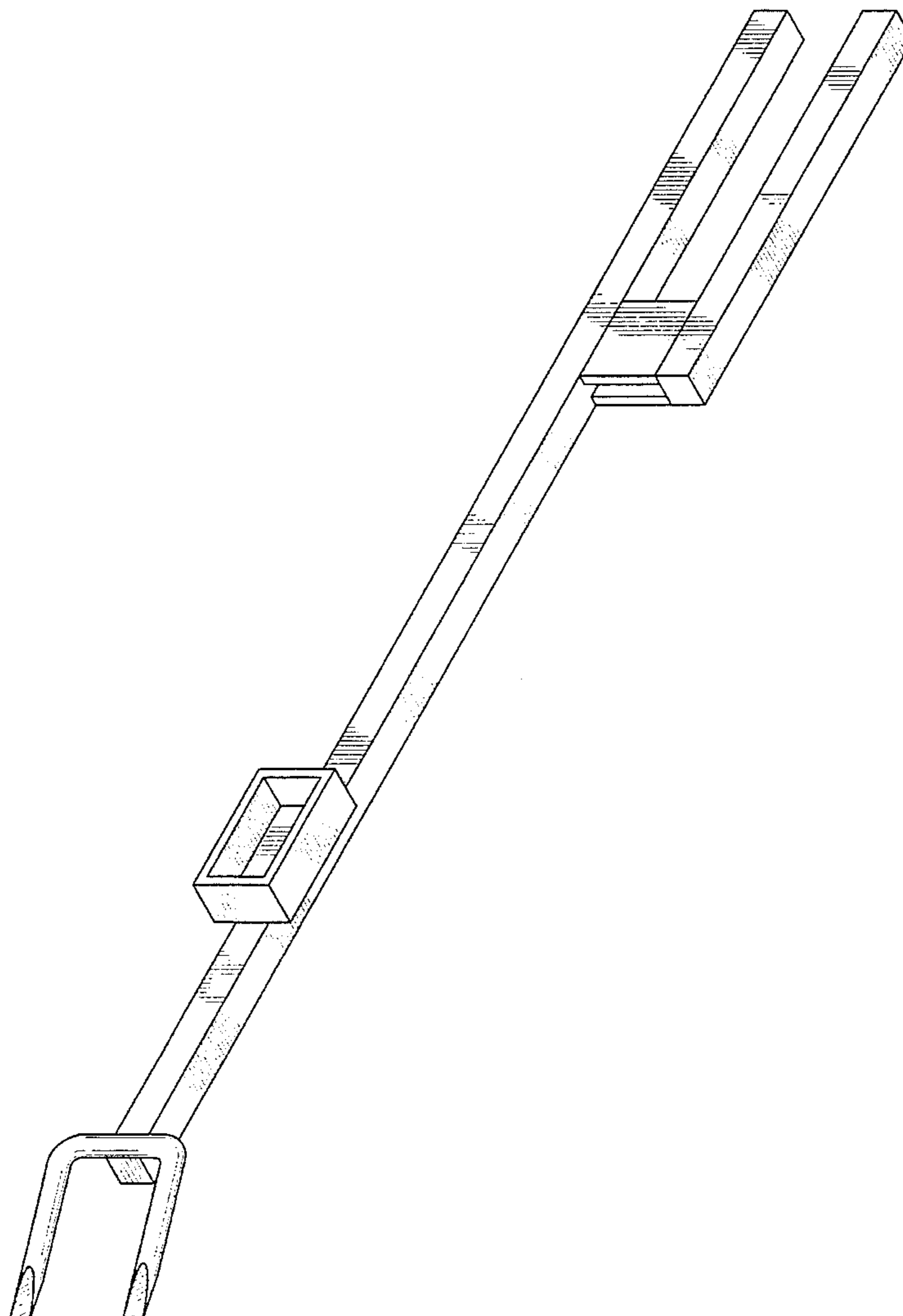


FIG. 1

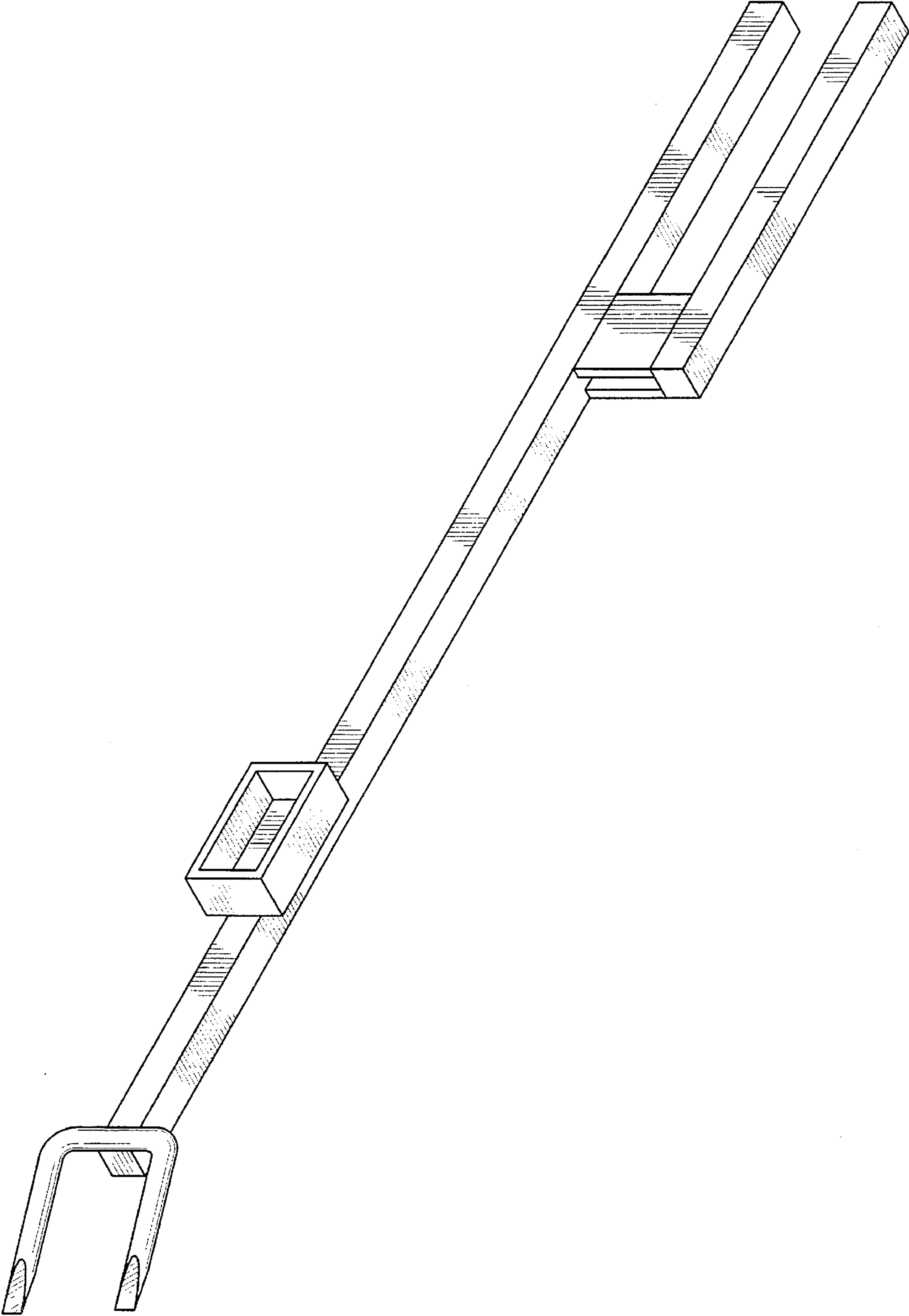


FIG. 2

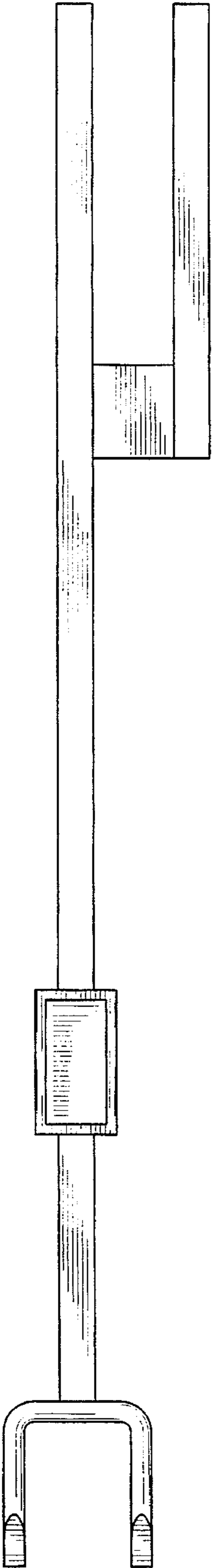


FIG. 3

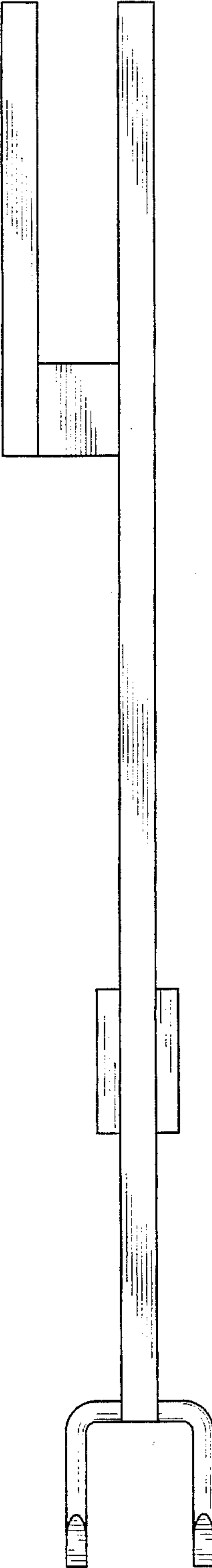


FIG. 4

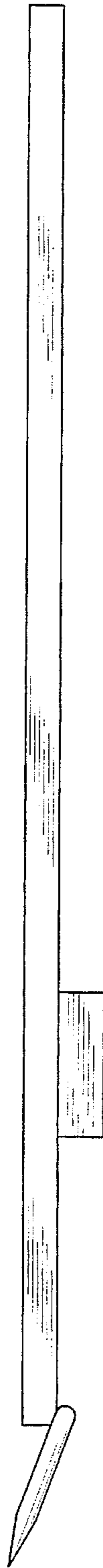


FIG. 5

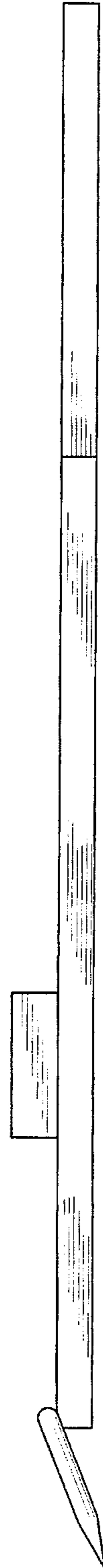


FIG. 6

