



US00D378185S

United States Patent [19]
Liu

[11] **Patent Number: Des. 378,185**

[45] **Date of Patent: **Feb. 25, 1997**

[54] **FASTENER TOOL**

3,905,535 9/1975 Novak et al. 227/120

[76] **Inventor: Park Liu**, No. 15, Lane Nan-Chien,
Ting-Tai Tsun, Wu-Feng Hsiang,
Taichung Hsien, Taiwan

Primary Examiner—Terry A. Wallace
Assistant Examiner—Adir Aronovich
Attorney, Agent, or Firm—Bacon & Thomas

[**] **Term: 14 Years**

[57] **CLAIM**

[21] **Appl. No.: 41,821**

The ornamental design for a fastener tool, as shown and described.

[22] **Filed: Jul. 25, 1995**

[52] **U.S. Cl. D8/68**

DESCRIPTION

[58] **Field of Search** D8/51, 61, 68;
227/120, 130-132; 81/54, 57.11, 57.13,
57.14; 173/170; D21/120

FIG. 1 is a perspective view of a fastener tool according to my design;
FIG. 2 is a front elevational view thereof;
FIG. 3 is a rear elevational view thereof;
FIG. 4 is a left side elevational view thereof;
FIG. 5 is a right side elevational view thereof;
FIG. 6 is a top plan view thereof; and,
FIG. 7 is a bottom plan view thereof.

[56] **References Cited**

U.S. PATENT DOCUMENTS

D. 335,073 4/1993 Anthony et al. D8/61
D. 335,250 5/1993 Rosier D8/68
D. 367,088 2/1996 Nagel et al. D21/120
3,858,780 1/1975 Perkins et al. 227/130

1 Claim, 4 Drawing Sheets

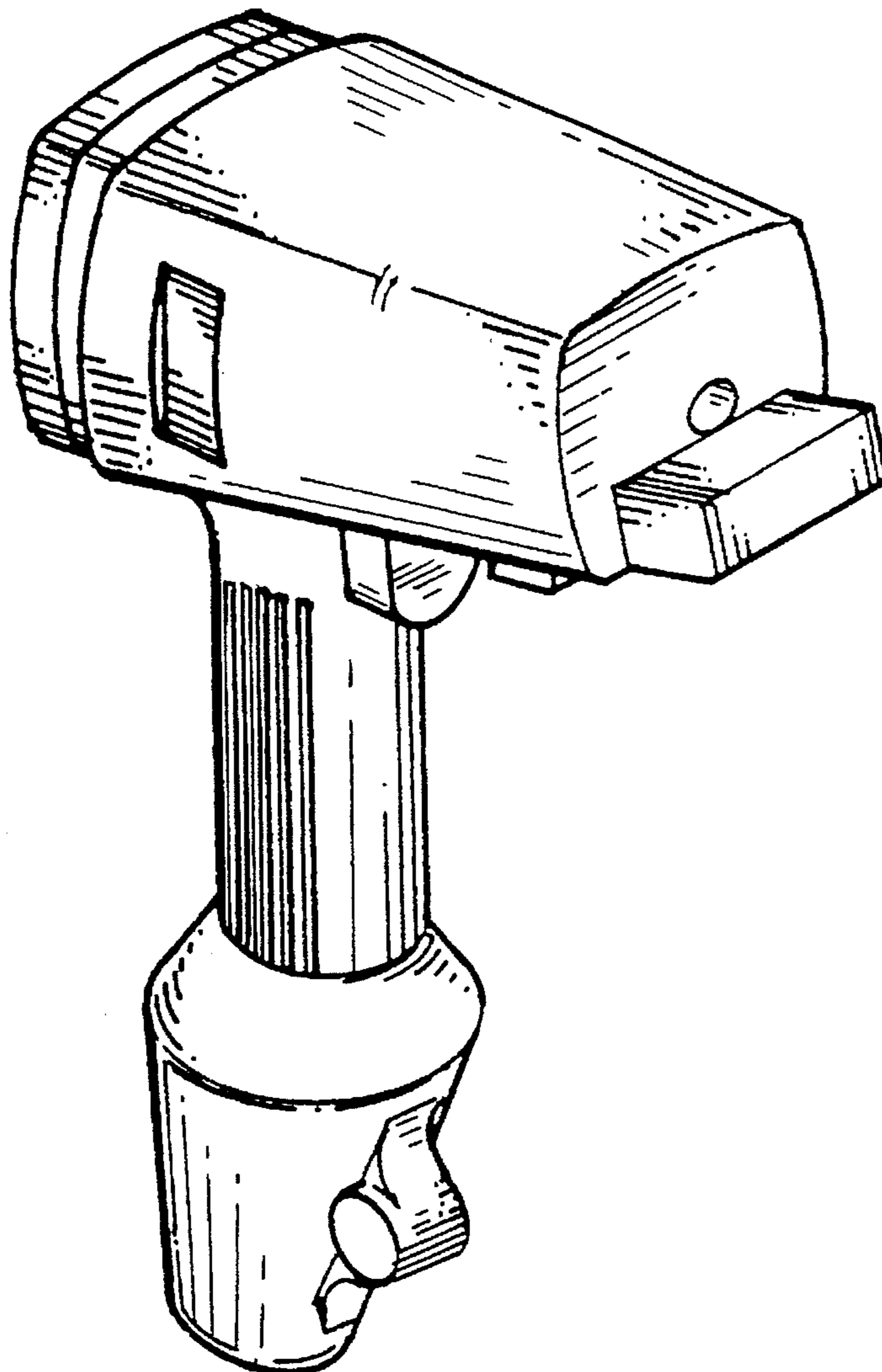
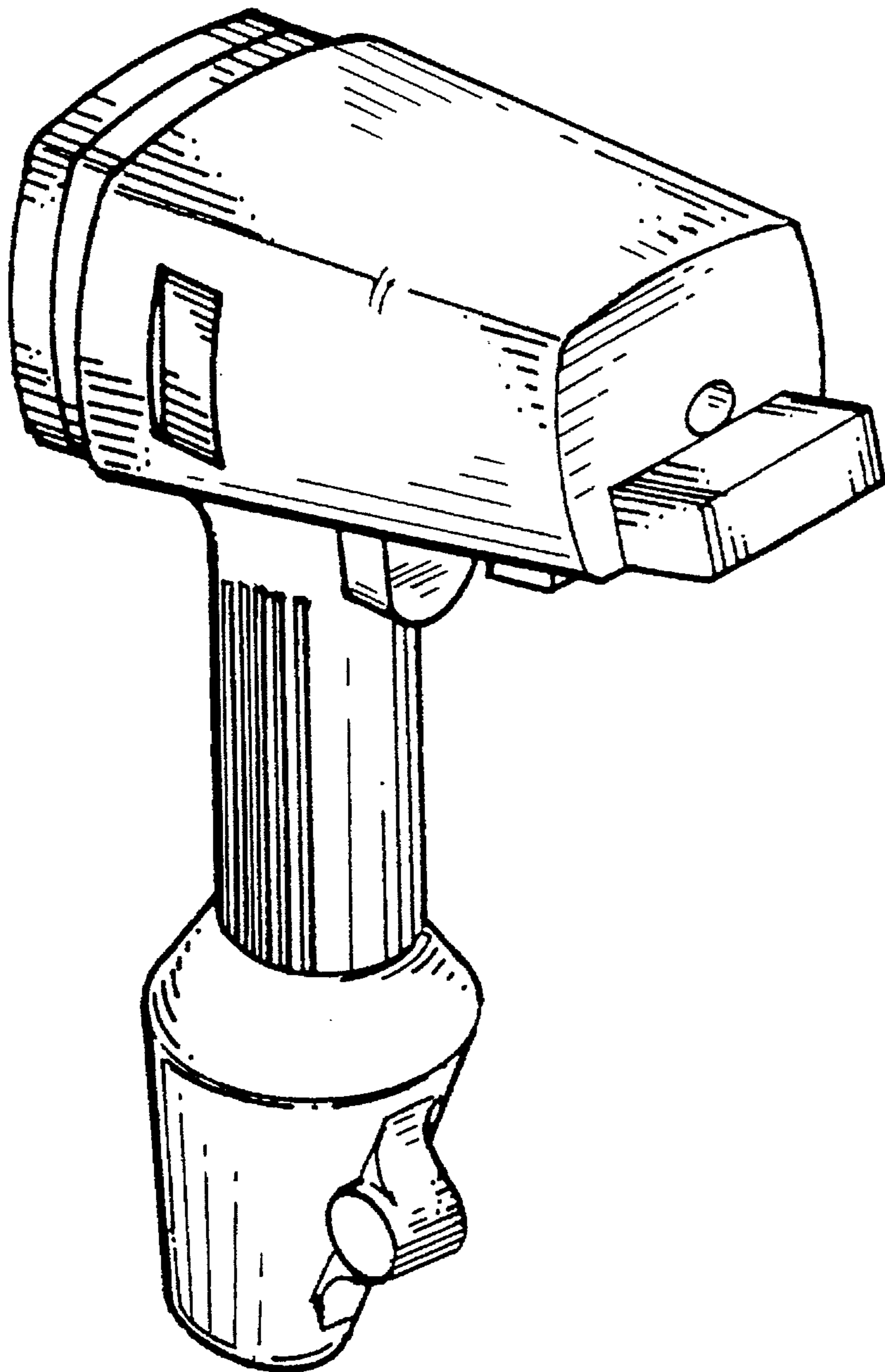


FIG. 1



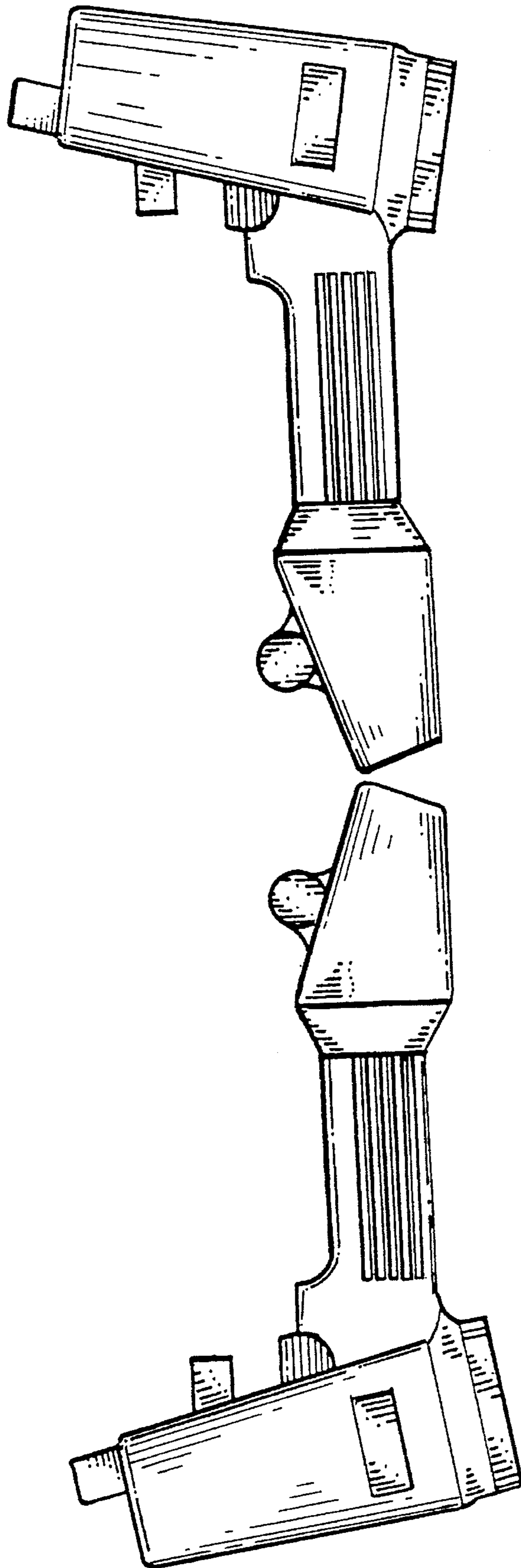


FIG. 3

FIG. 2

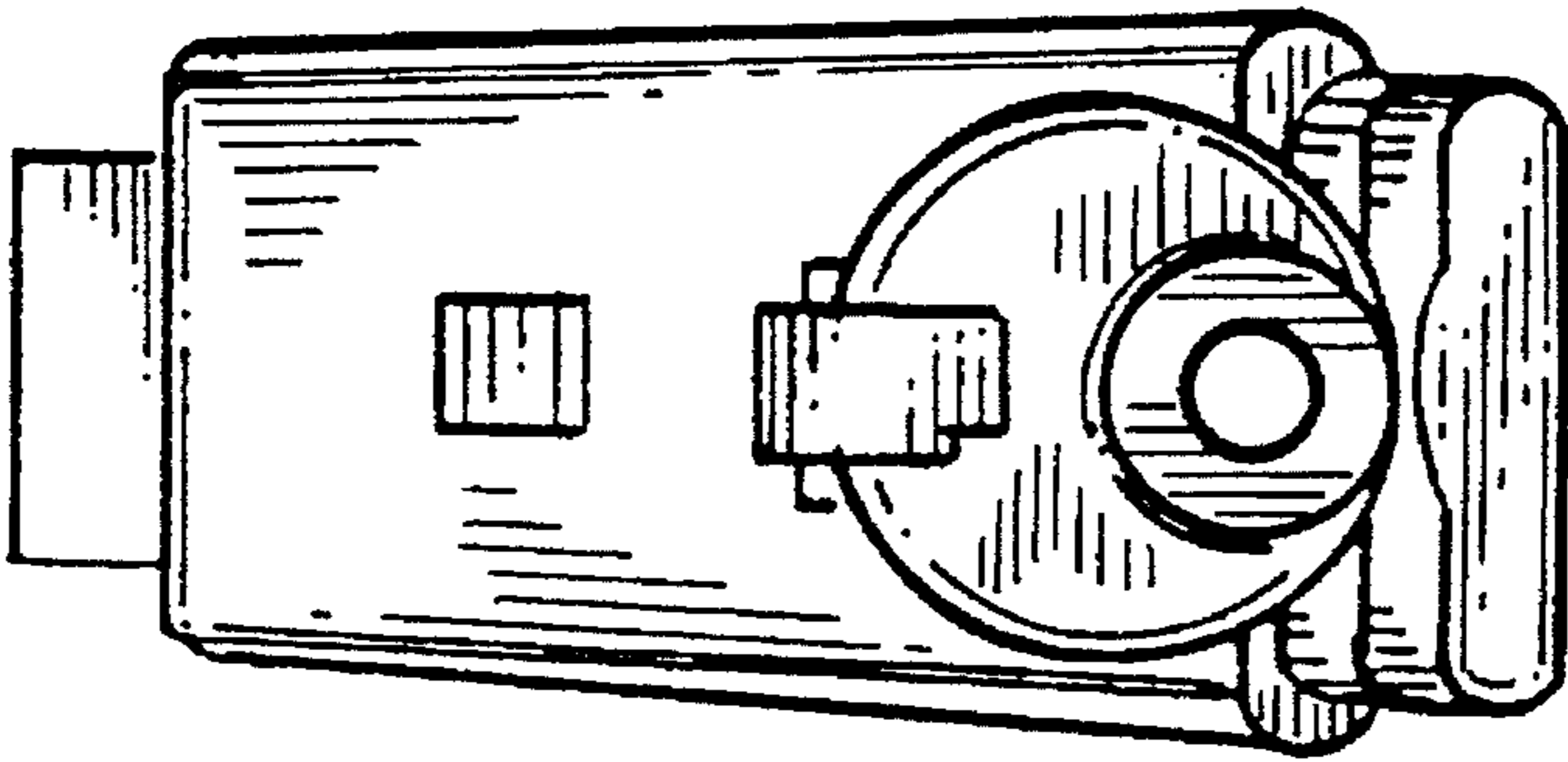


FIG. 5

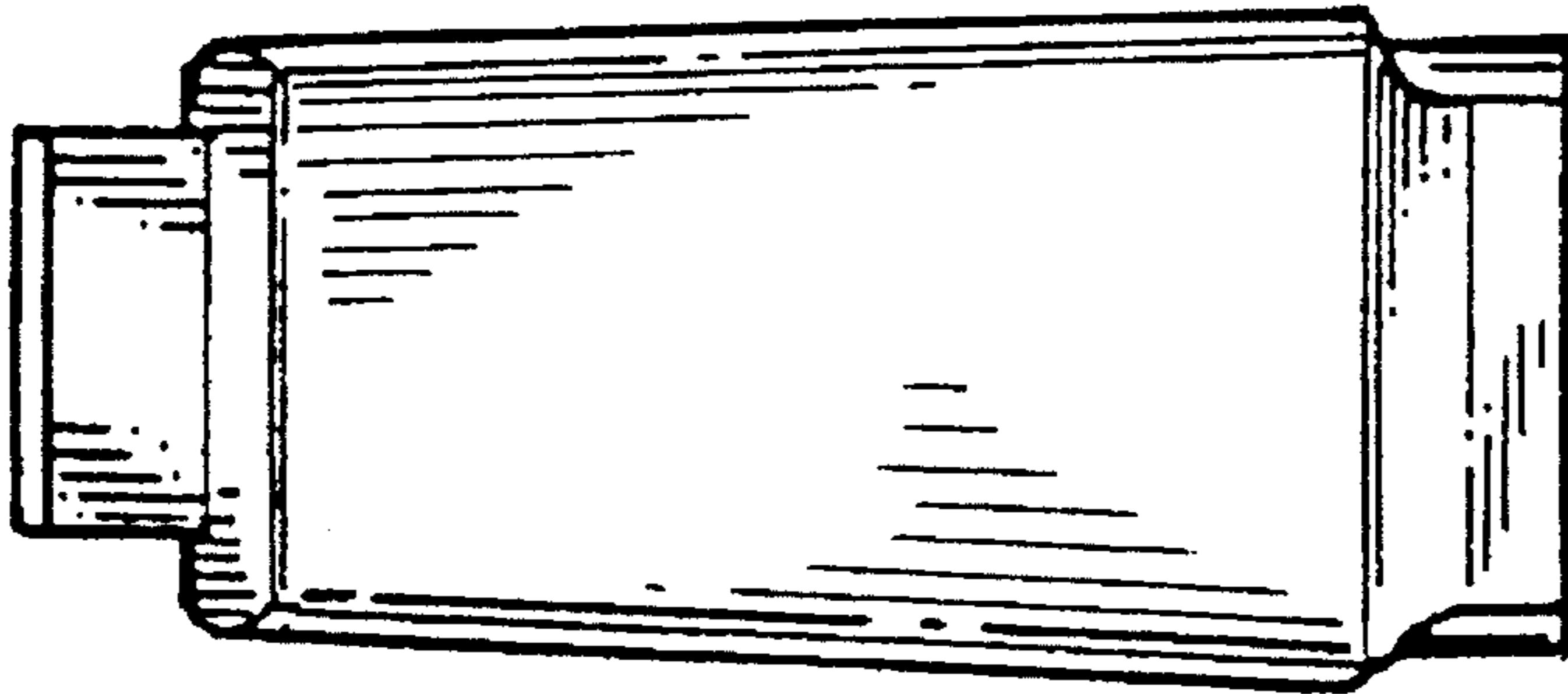


FIG. 4

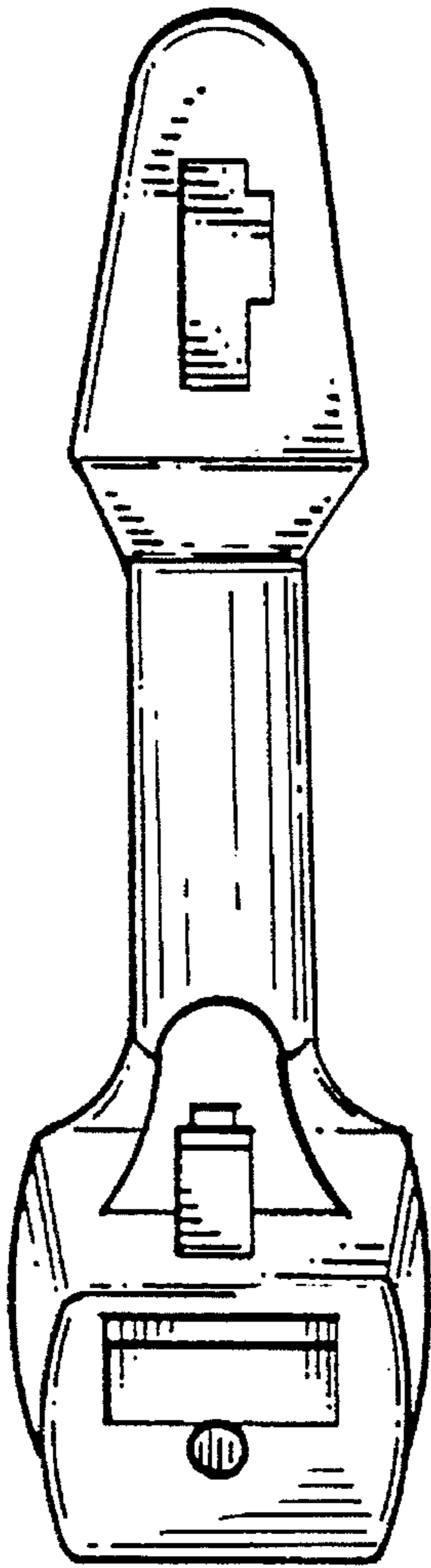


FIG. 6

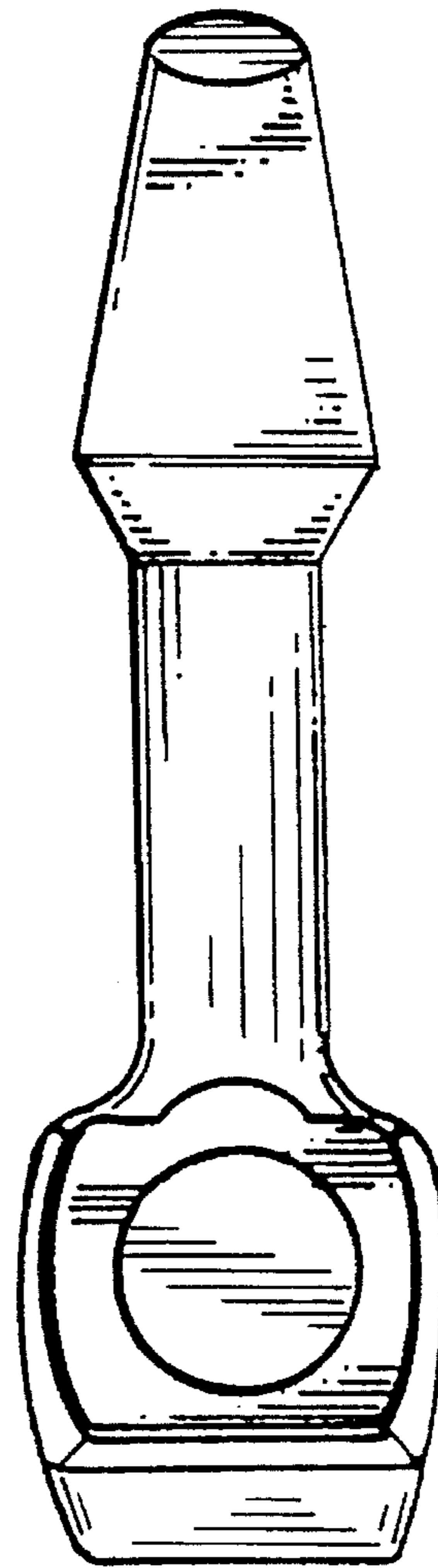


FIG. 7