



US00D378184S

# United States Patent [19]

Näslund et al.

[11] Patent Number: **Des. 378,184**

[45] Date of Patent: **\*\*Feb. 25, 1997**

[54] **MOTOR SAW**

[75] Inventors: **Ulf Näslund; Niels Hartz**, both of Huskvarna; **Göran Dahlberg**, Gränna; **Tomas Nyqvist**, Huskvarna, all of Sweden

[73] Assignee: **Aktiebolaget Electrolux**, Stockholm, Sweden

[\*\*] Term: **14 Years**

[21] Appl. No.: **48,969**

[22] Filed: **Jan. 16, 1996**

### [30] Foreign Application Priority Data

Jul. 14, 1995 [SE] Sweden ..... 95-1386

[52] U.S. Cl. .... **D8/64**

[58] Field of Search ..... D8/64; 30/298.4, 30/296.1, 381, 382, 383; 123/41.56, 41.69, 41.7, 198 E

### [56] References Cited

#### U.S. PATENT DOCUMENTS

5,046,566 9/1991 Dorner et al. .... 30/381 X

5,199,389	4/1993	Wolf et al. ....	30/381 X
5,233,750	8/1993	Wolf et al. ....	30/381 X
5,233,945	8/1993	Wolf et al. ....	30/381 X
5,272,813	12/1993	Wolf et al. ....	30/381 X

*Primary Examiner*—Antoine Duval Davis  
*Attorney, Agent, or Firm*—Pearne, Gordon, McCoy & Granger

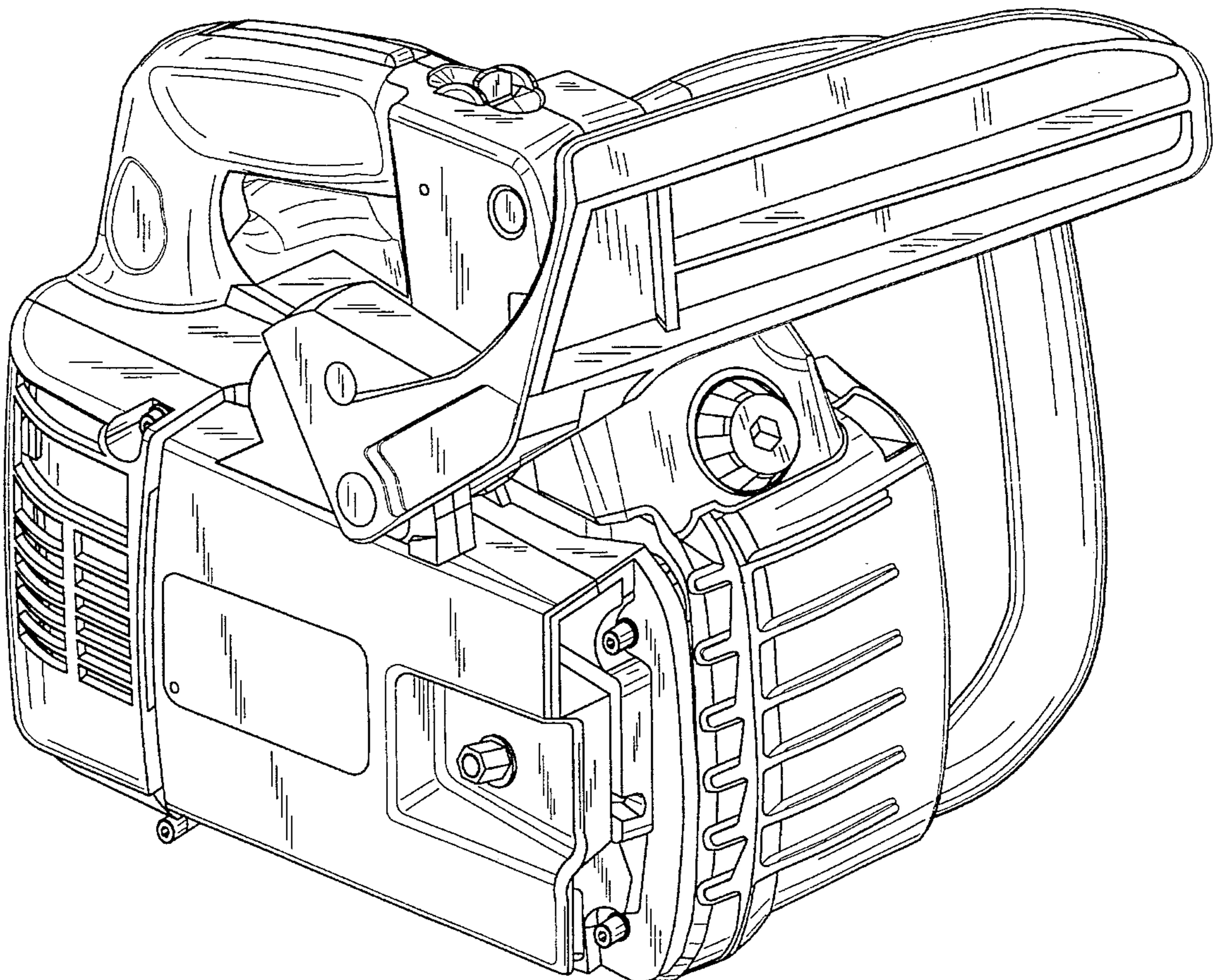
### [57] CLAIM

The ornamental design for a motor saw, as shown and described.

### DESCRIPTION

FIG. 1 is a front perspective view of a motor saw, showing our new design;  
FIG. 2 is a rear perspective view thereof;  
FIG. 3 is a front elevation view thereof;  
FIG. 4 is a rear elevation view thereof;  
FIG. 5 is a left side elevation view thereof;  
FIG. 6 is a right side elevation view thereof;  
FIG. 7 is a top plan view thereof; and,  
FIG. 8 is a bottom plan view thereof.

**1 Claim, 8 Drawing Sheets**



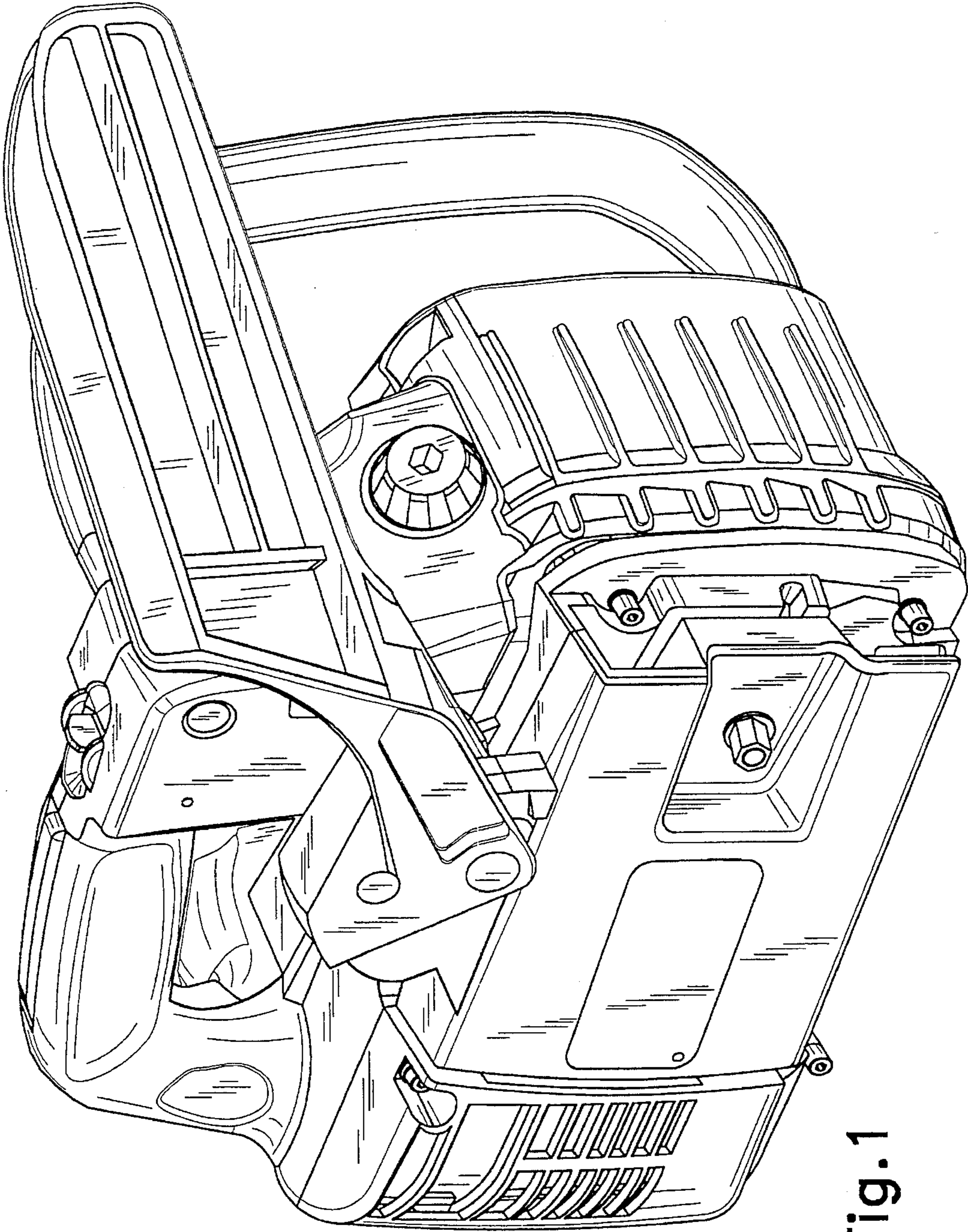


Fig. 1



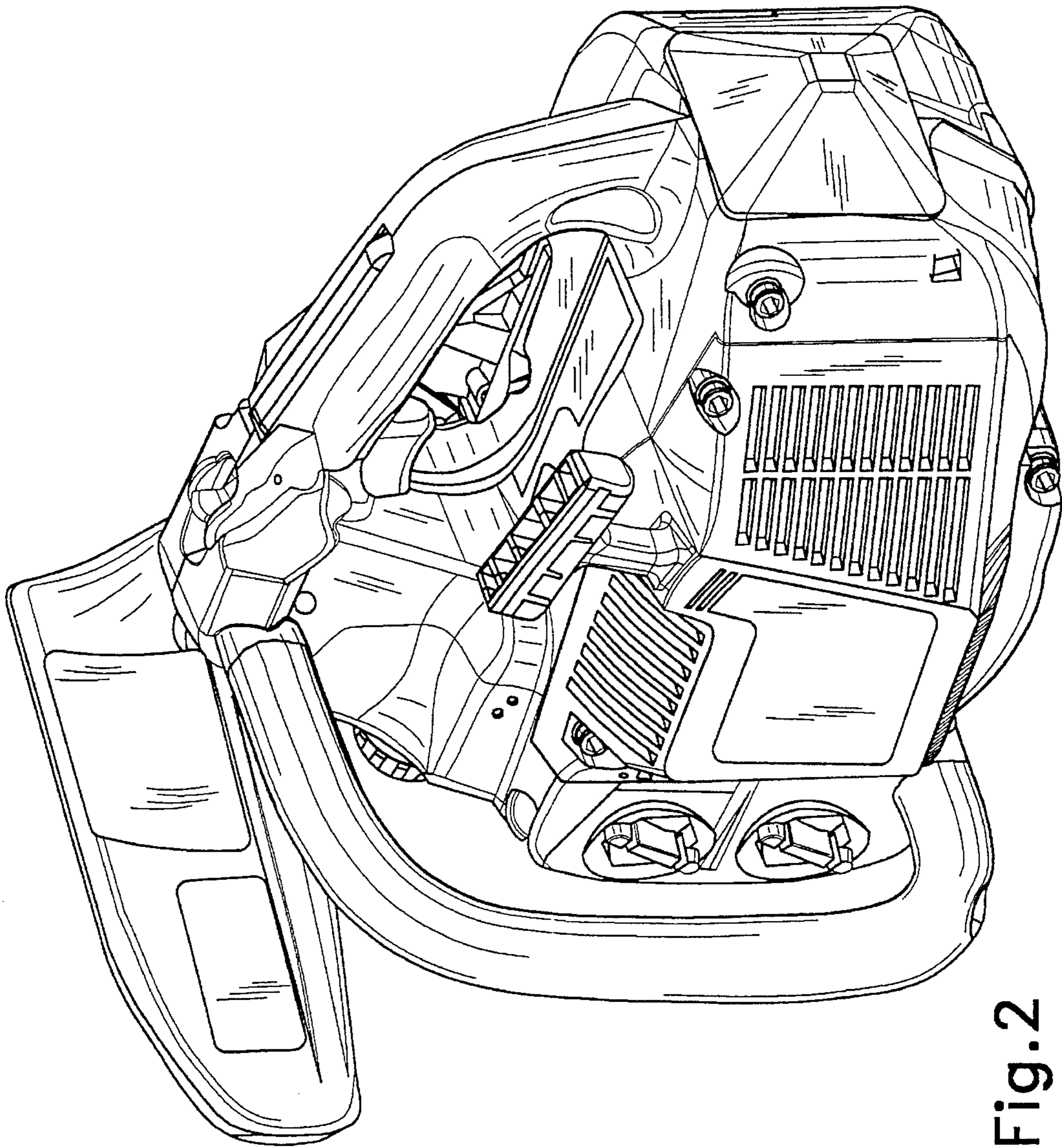


Fig. 2

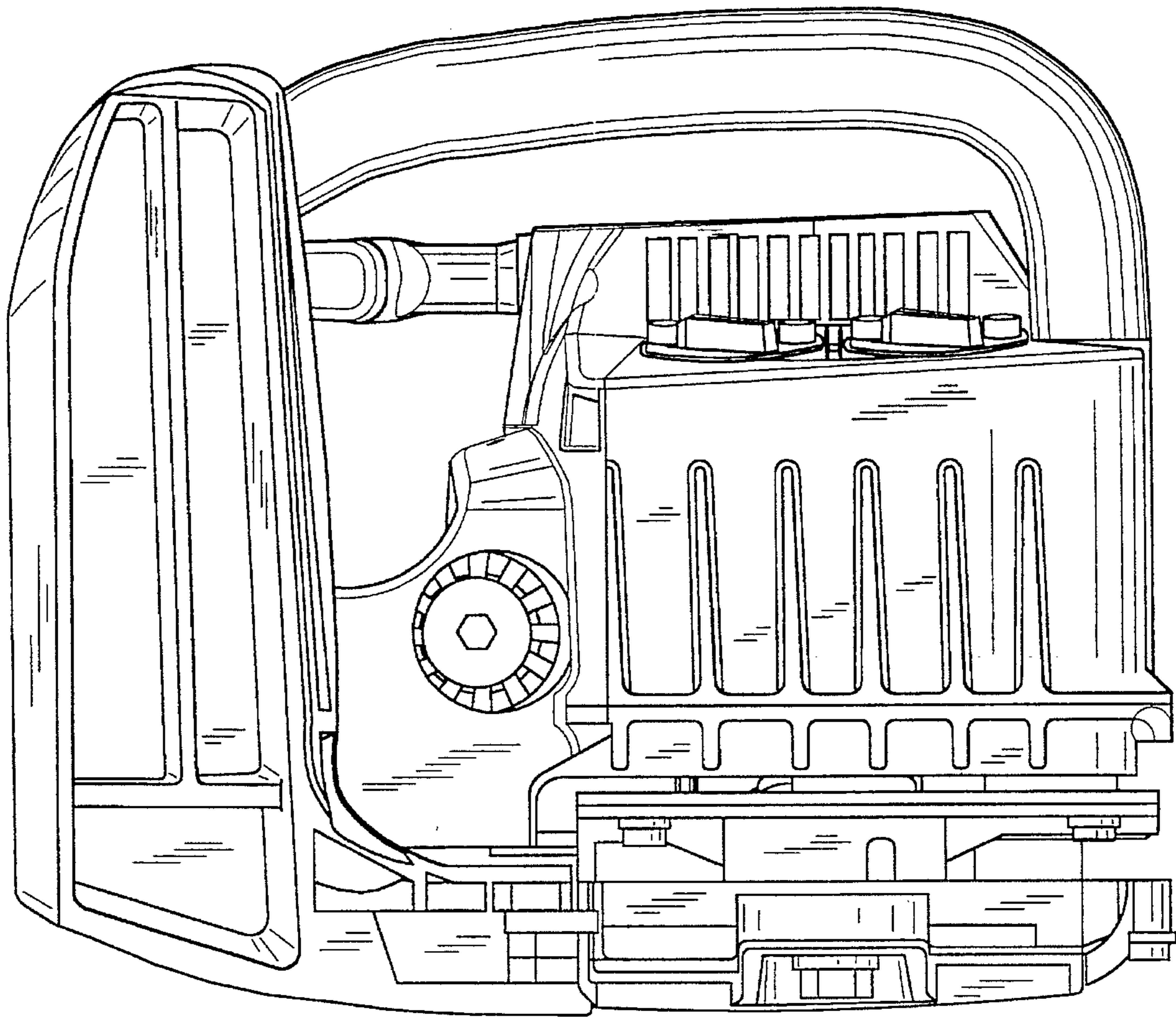


Fig. 3

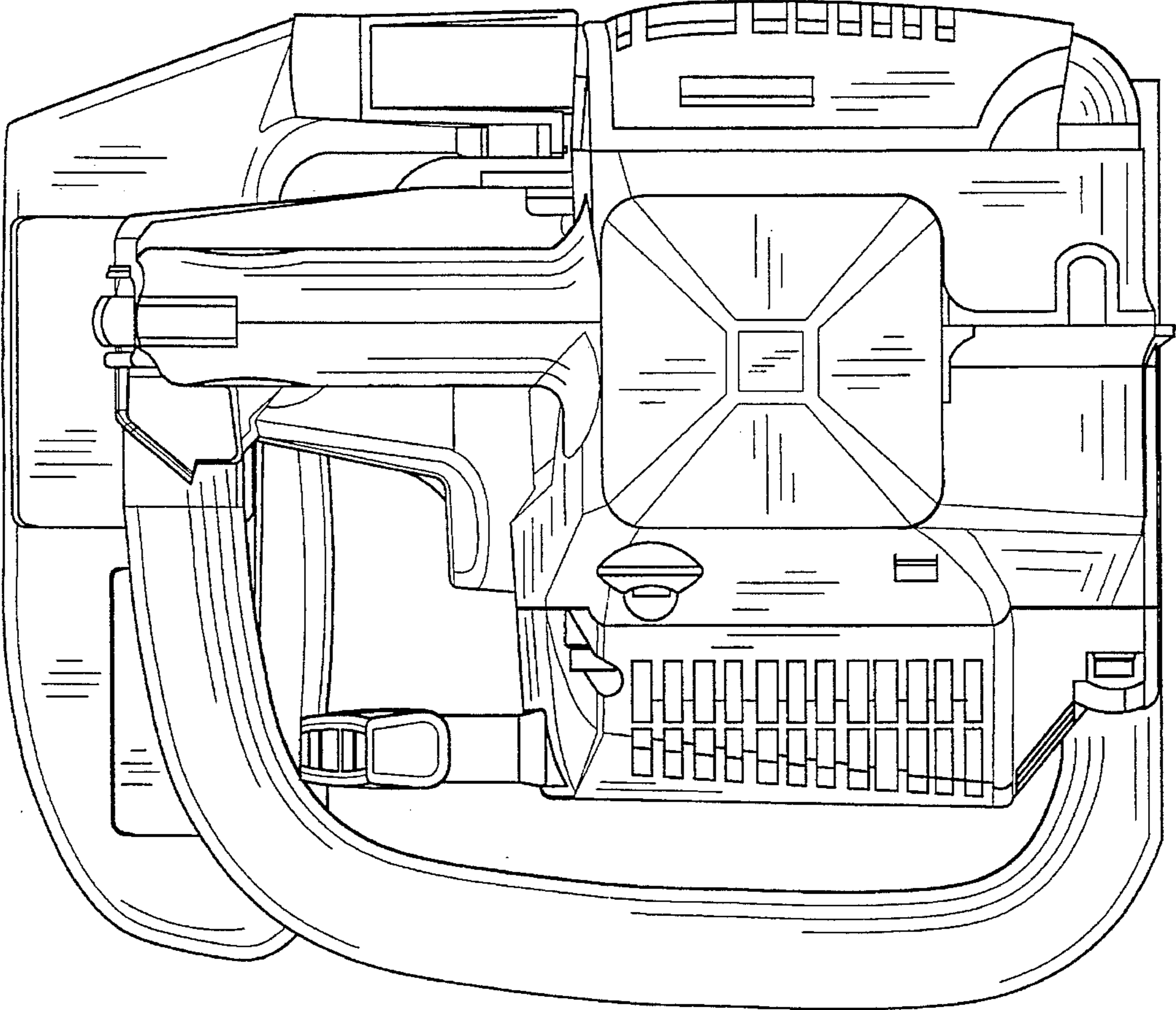


Fig. 4



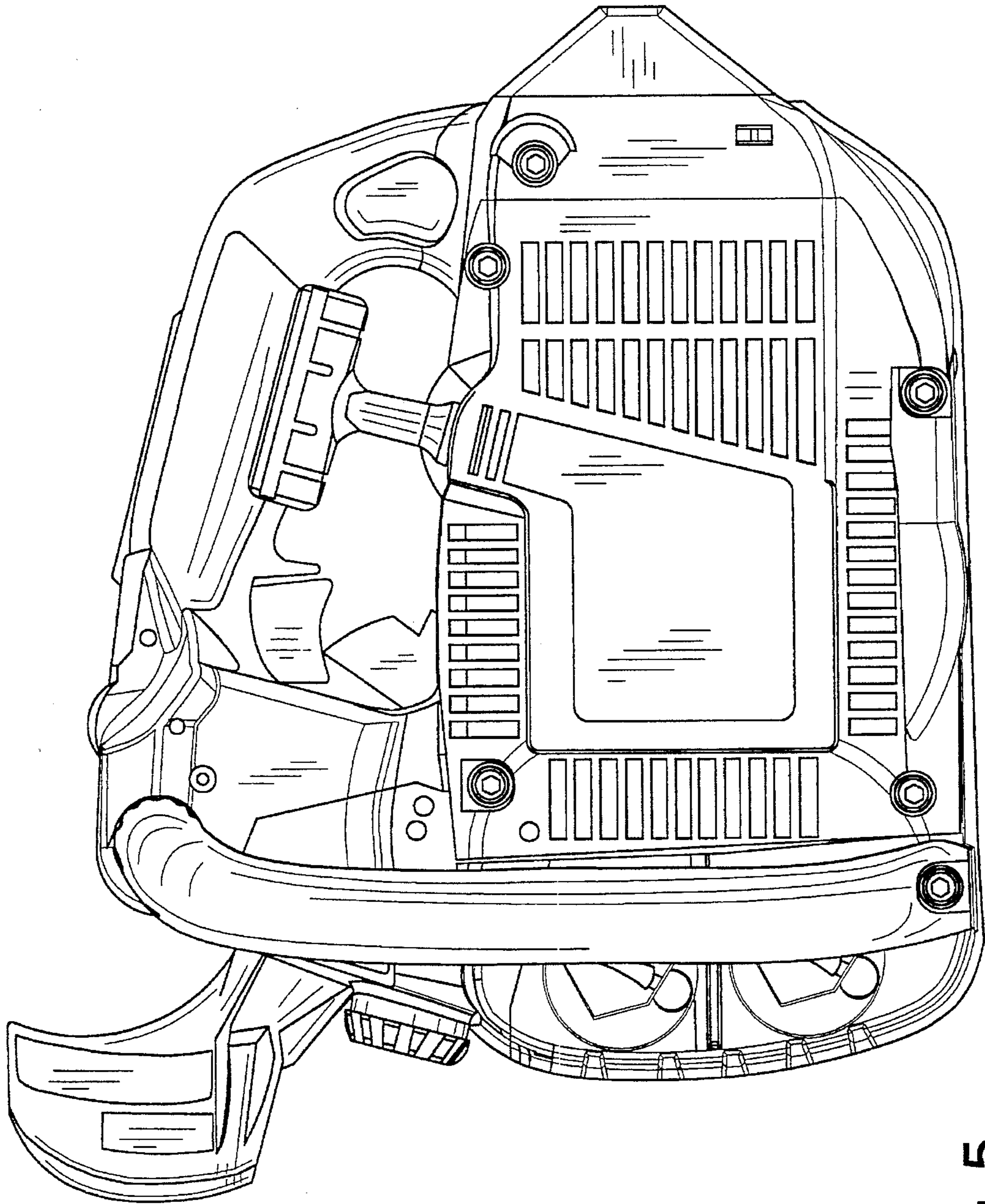


Fig. 5

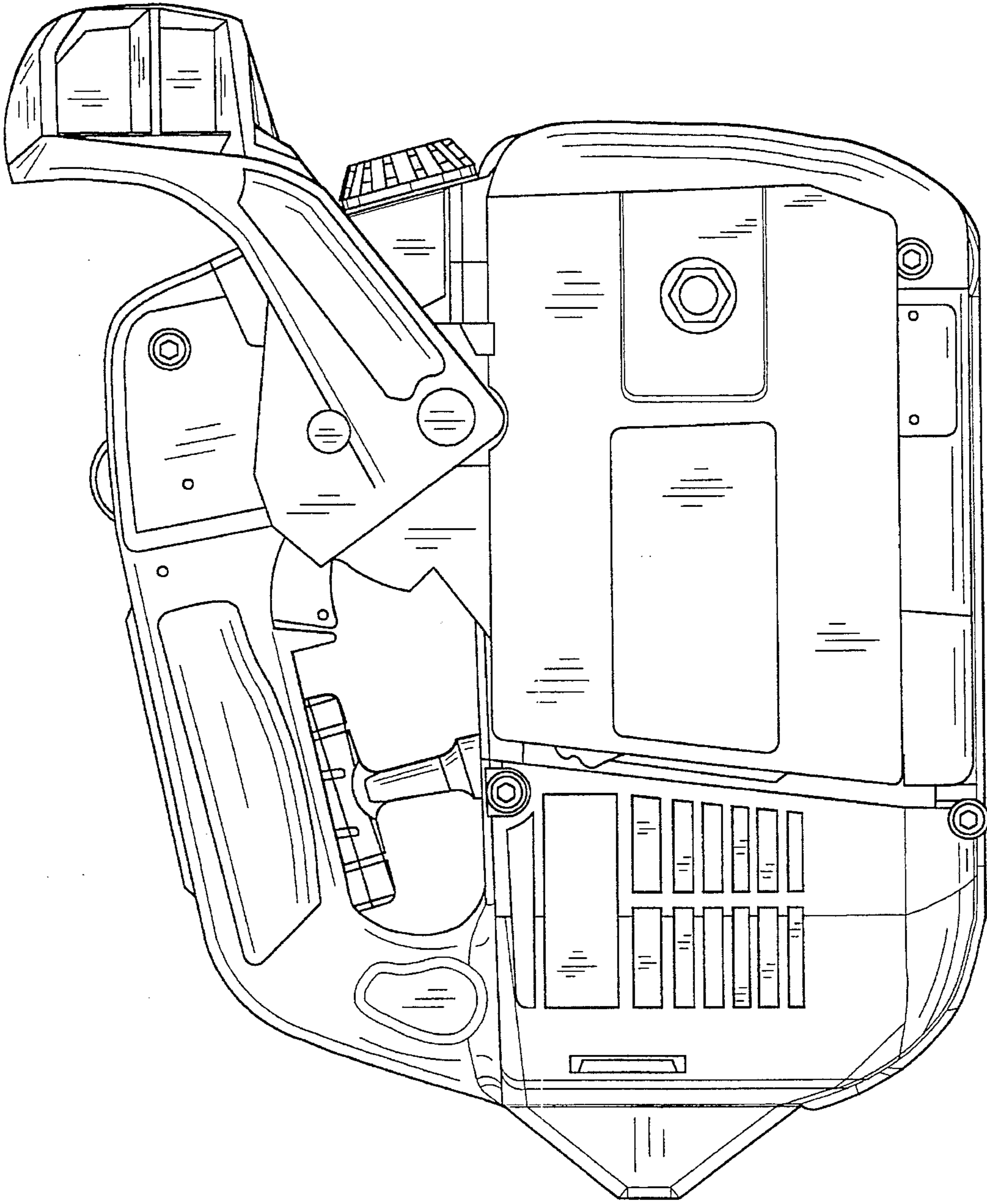


Fig. 6

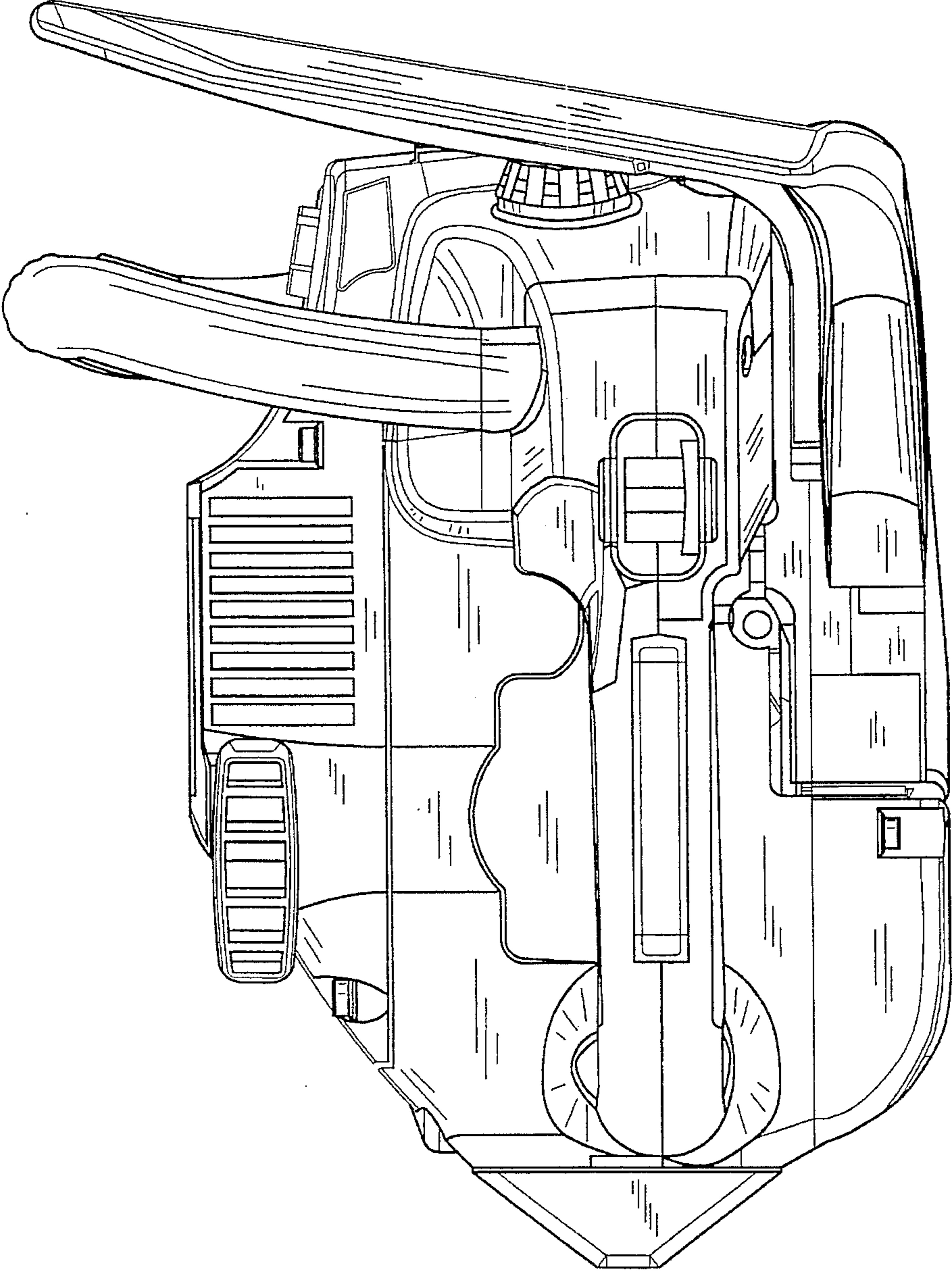


Fig. 7



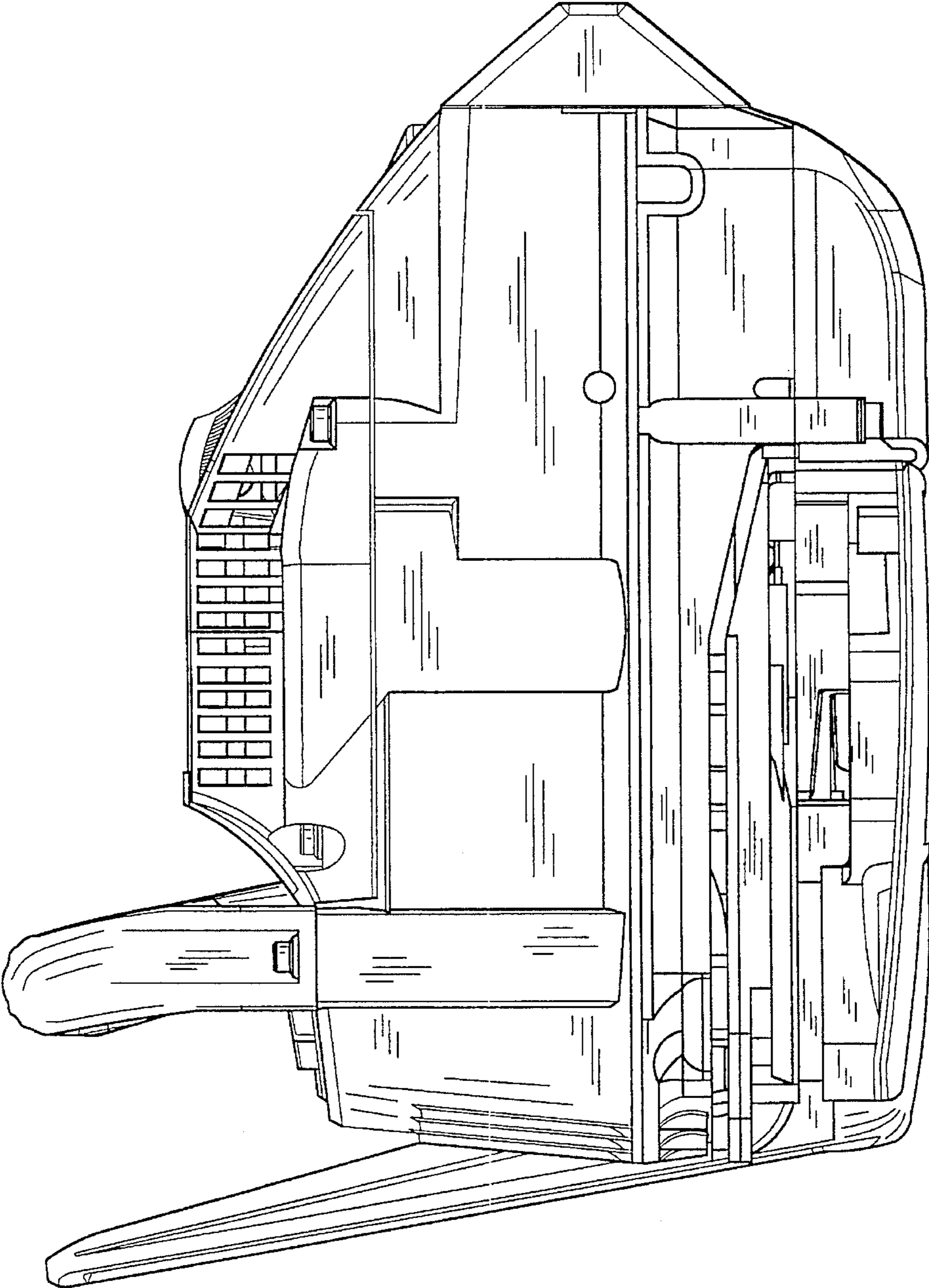


Fig. 8