



US00D378183S

# United States Patent [19]

Dognini

[11] Patent Number: **Des. 378,183**

[45] Date of Patent: **\*\*Feb. 25, 1997**

[54] **SMALL ANGLE GRINDER**

[75] Inventor: **Amedeo Dognini, Milan, Italy**

[73] Assignee: **Black & Decker Inc., Newark, Del.**

[\*\*] Term: **14 Years**

[21] Appl. No.: **36,191**

[22] Filed: **Mar. 14, 1995**

[30] **Foreign Application Priority Data**

Sep. 14, 1994 [GB] United Kingdom ..... 2041801

[52] **U.S. Cl.** ..... **D8/62**

[58] **Field of Search** ..... D8/61, 62, 68;  
81/54, 57.11, 57.13, 57.14; 173/170; 451/344,  
356, 357, 359, 414, 456

[56] **References Cited**

**U.S. PATENT DOCUMENTS**

D. 295,824	5/1988	Hoshino et al.	.....	D8/62
D. 301,830	6/1989	Ogawa et al.	.....	D8/62
D. 328,841	8/1992	Fushiya et al.	.....	D8/62
D. 332,559	1/1993	Miyoshi et al.	.....	D8/62

D. 347,153	5/1994	Uneyama	.....	D8/62
D. 351,772	10/1994	Price	.....	D8/62
3,885,355	5/1975	Kakimoto	.....	451/359
5,261,190	11/1993	Berger et al.	.....	451/357

*Primary Examiner*—B. J. Bullock  
*Assistant Examiner*—Robert M. Spear  
*Attorney, Agent, or Firm*—Dennis A. Dearing; John D. Del Pont; Charles E. Yocum

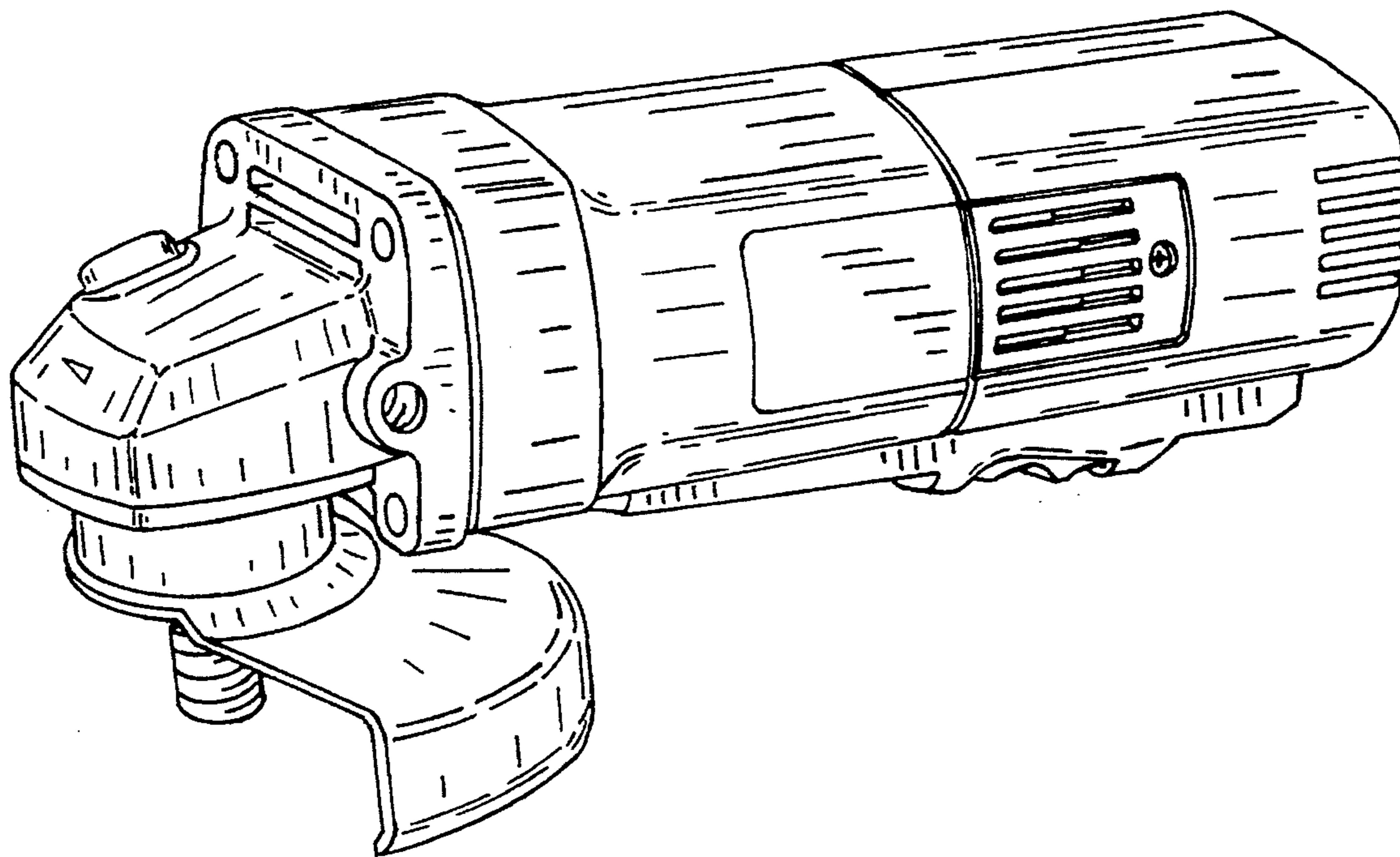
[57] **CLAIM**

The ornamental design for a small angle grinder, as shown and described.

**DESCRIPTION**

FIG. 1 is a front perspective view of a small angle grinder showing my new design;  
FIG. 2 is a right side elevational view thereof;  
FIG. 3 is a left side elevational view thereof;  
FIG. 4 is a top plan view thereof;  
FIG. 5 is a bottom plan view thereof;  
FIG. 6 is a front elevational view thereof; and,  
FIG. 7 is a rear elevational view thereof.

**1 Claim, 4 Drawing Sheets**



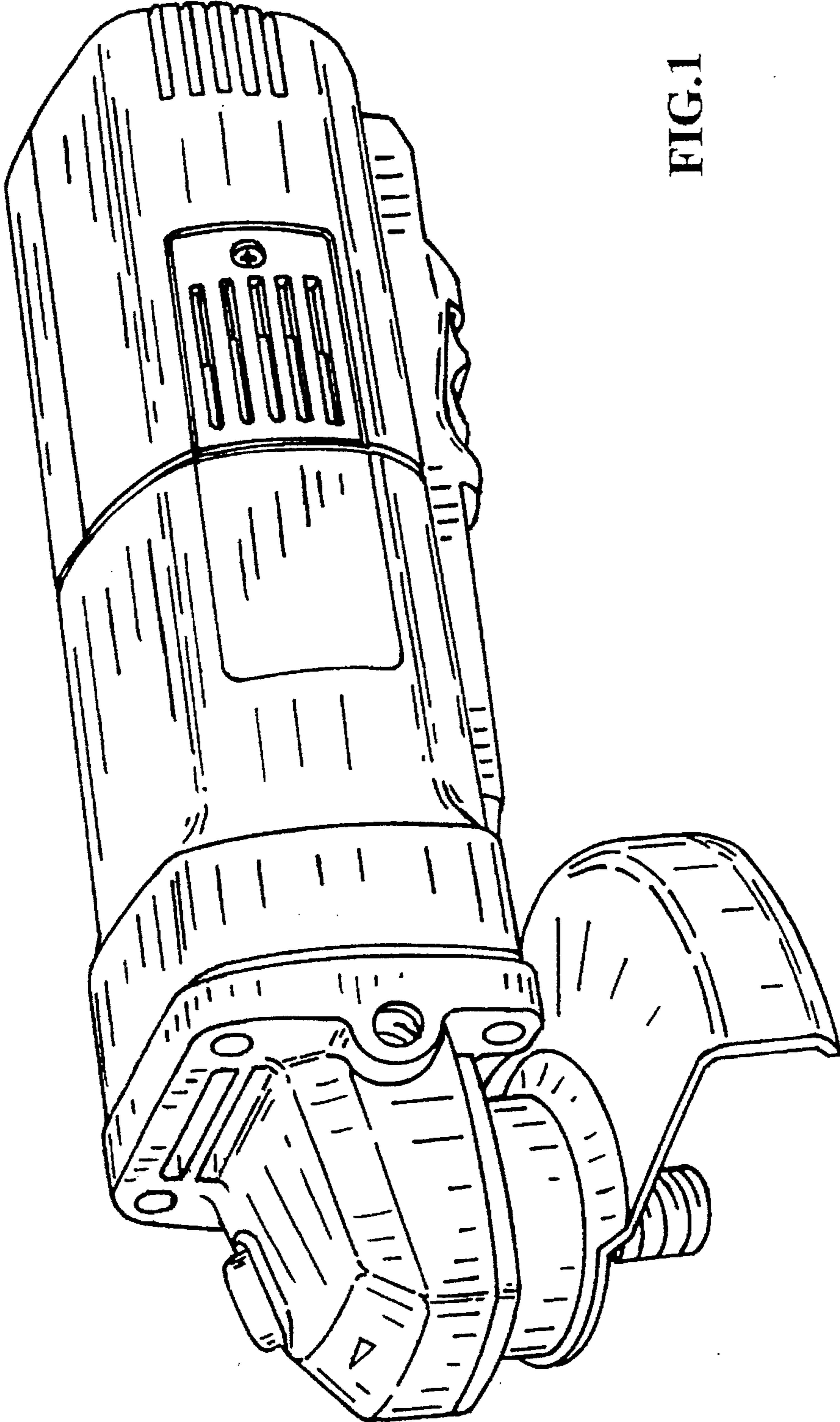
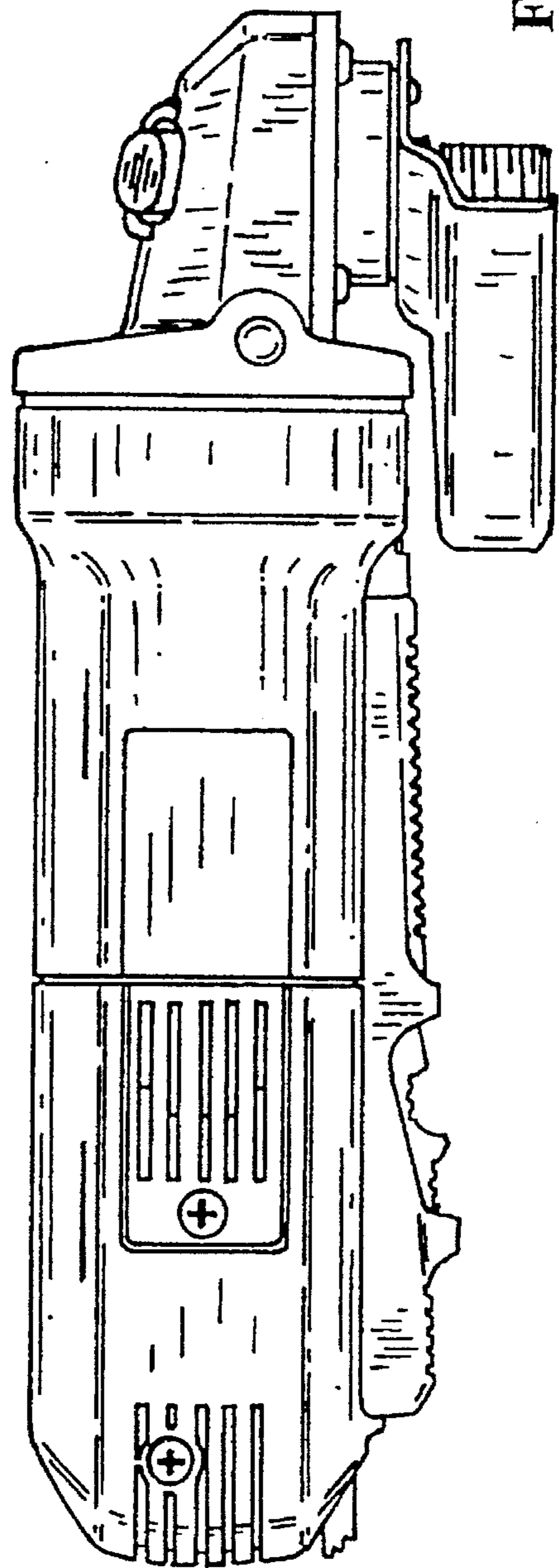
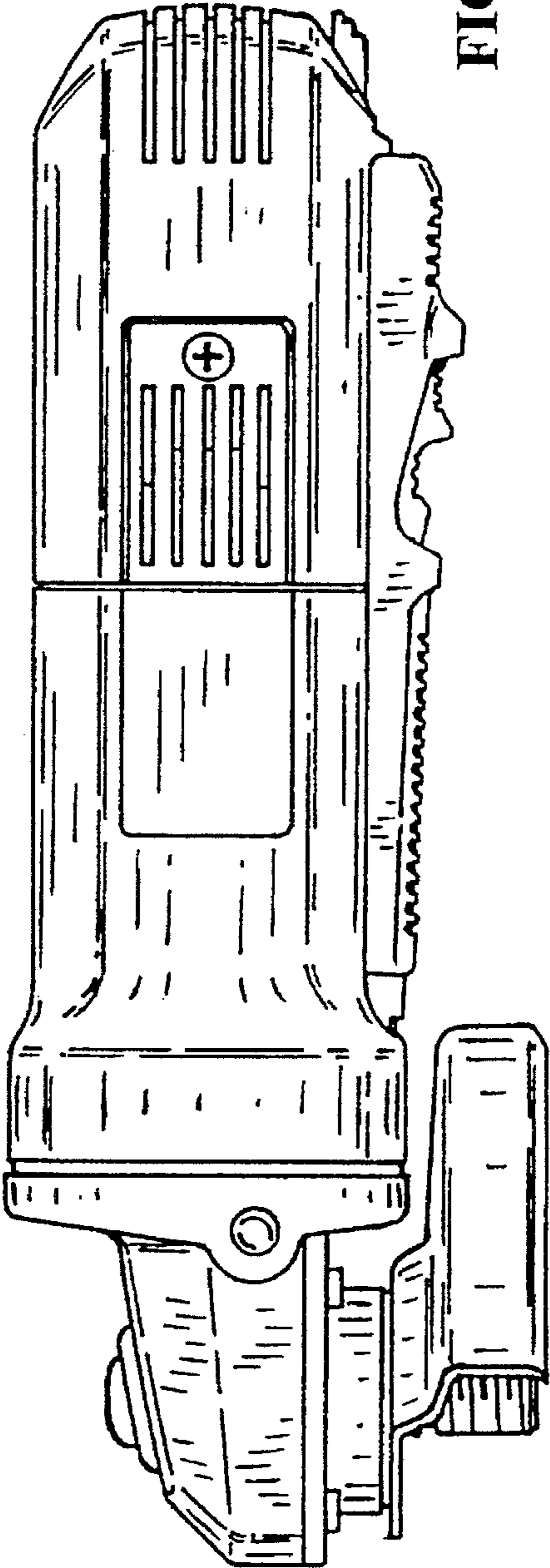


FIG. 1



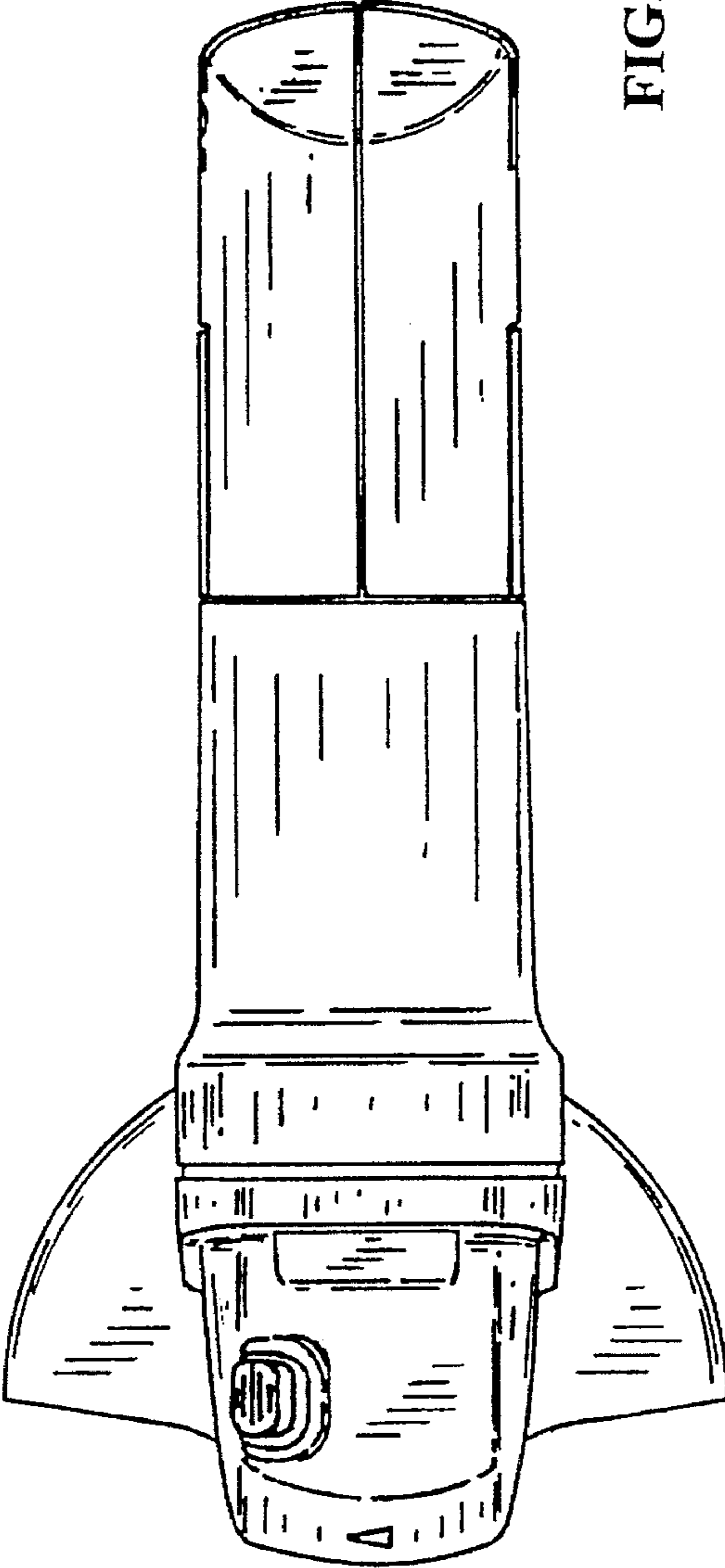


FIG. 4

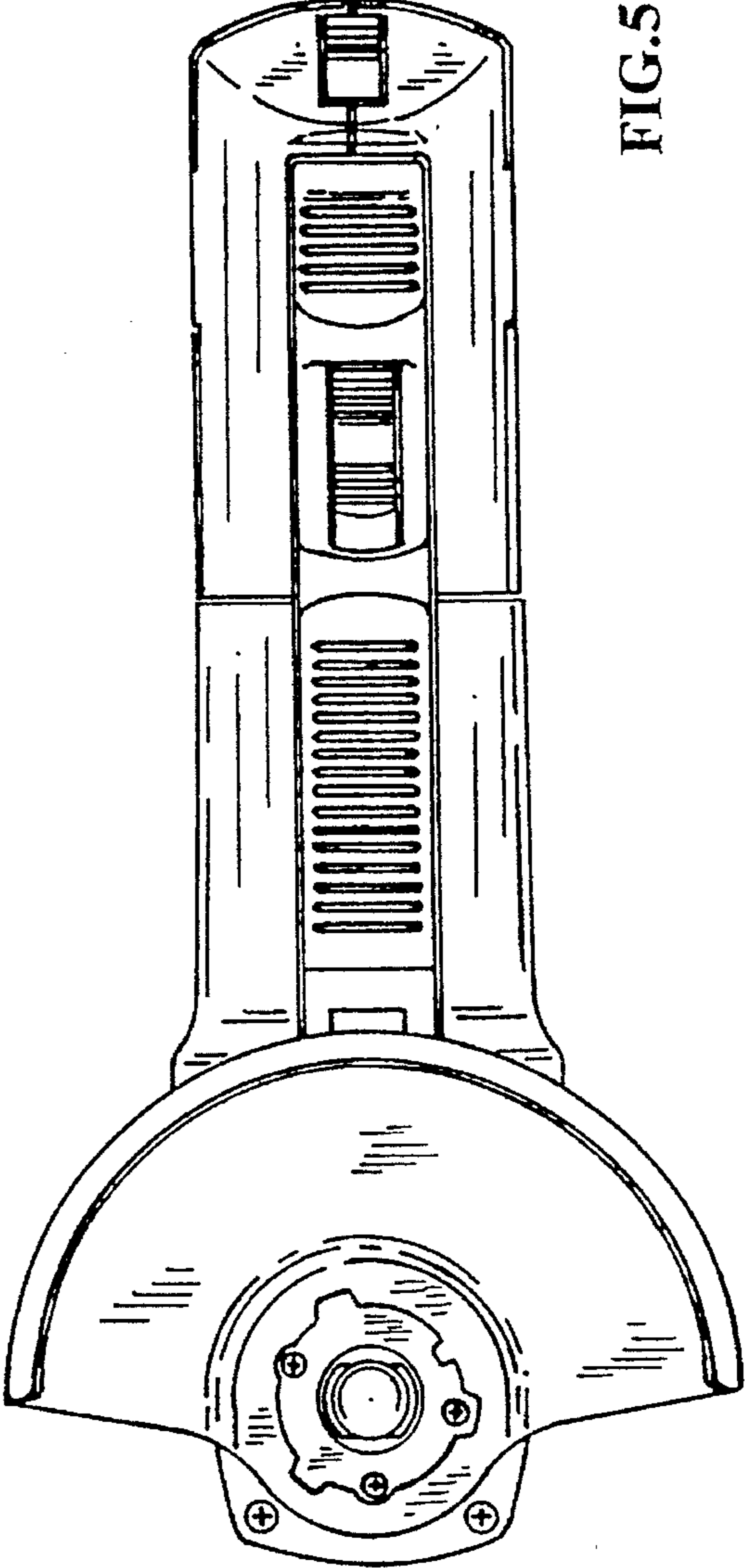


FIG. 5

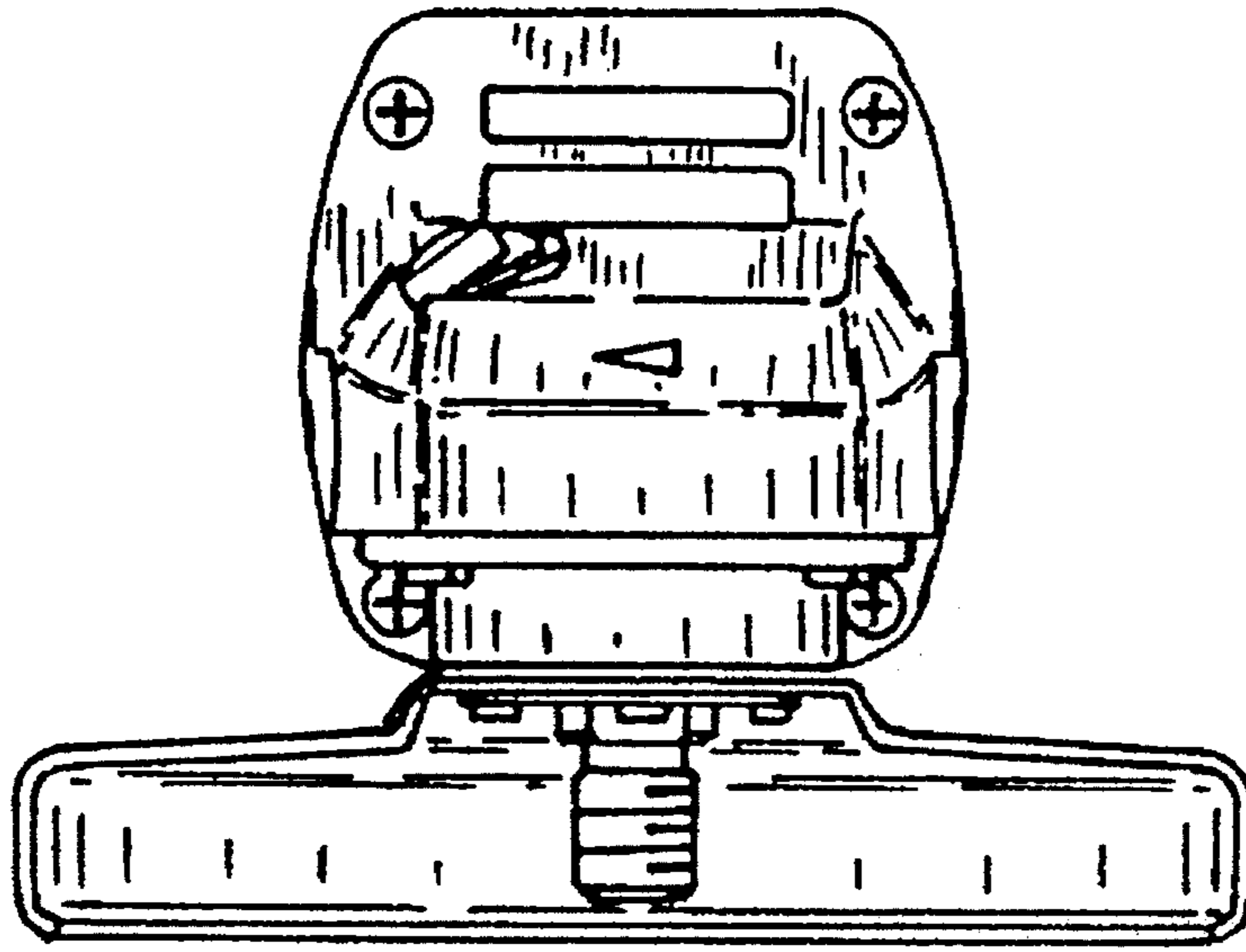


FIG. 6

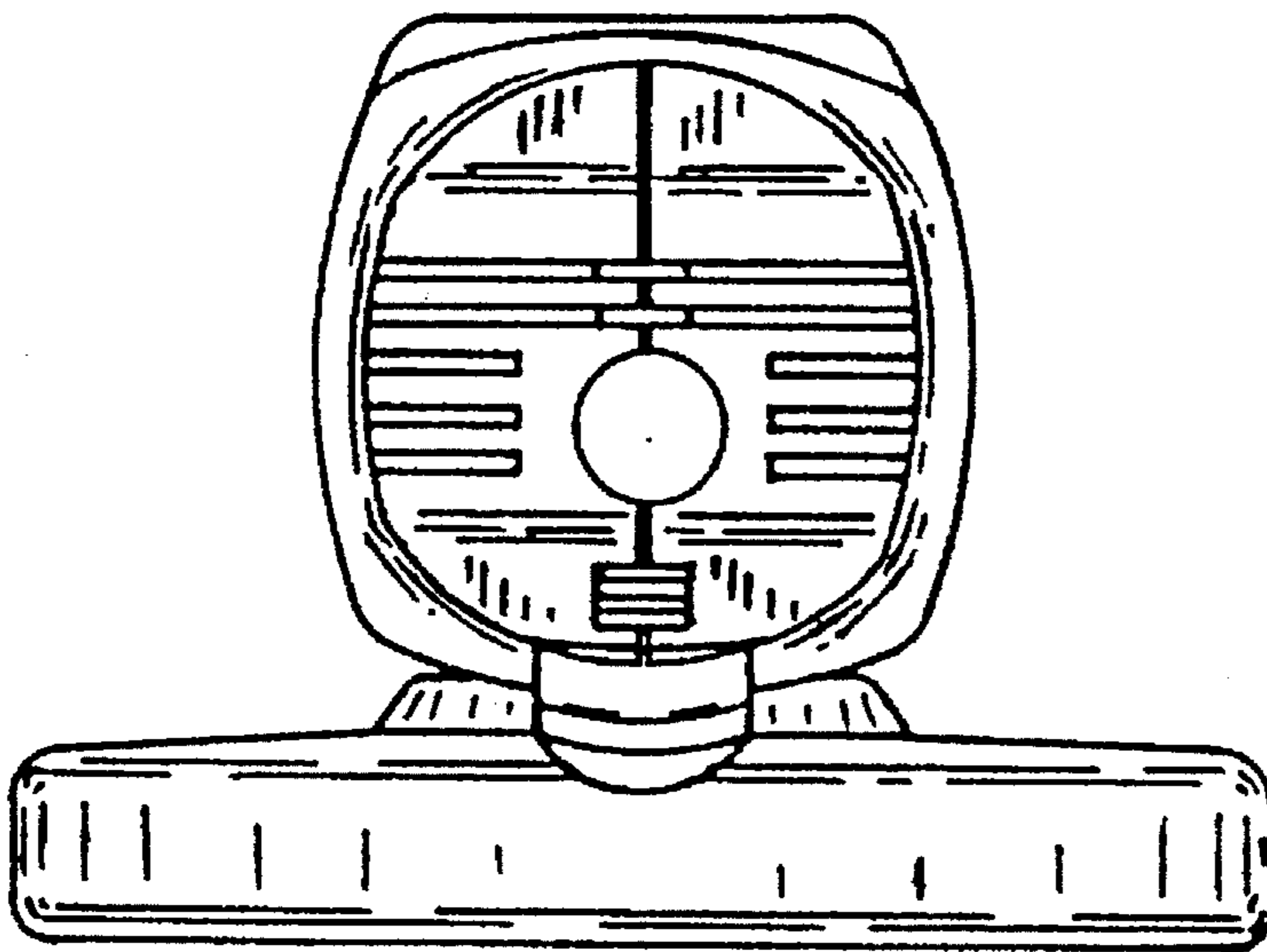


FIG. 7