



US00D378179S

# United States Patent [19]

Gebhardt et al.

[11] Patent Number: **Des. 378,179**

[45] Date of Patent: **\*\*Feb. 25, 1997**

[54] **GRILL**

[75] Inventors: **Lutz Gebhardt, Immensee; Karl-Erich Koch, Cham, both of Switzerland**

[73] Assignee: **AMC International ALFA Metalcraft Corporation AG, Switzerland**

[\*\*] Term: **14 Years**

[21] Appl. No.: **18,039**

[22] Filed: **Jan. 27, 1994**

### [30] Foreign Application Priority Data

Aug. 5, 1993 [XH] Hague Agreement ..... DMA/002,248

[52] U.S. Cl. .... **D7/363**

[58] Field of Search ..... D7/362-367, 354-355, D7/360; 99/422-425

### [56] References Cited

#### U.S. PATENT DOCUMENTS

D. 253,930	1/1980	Zinkgraf et al. ....	D7/360
D. 256,760	9/1980	Rinaldi .....	D7/360
D. 268,471	4/1983	Gremonprez .....	D7/355
D. 273,168	3/1984	Bowen et al. ....	D7/354

D. 276,022	10/1984	Bowen et al. ....	D7/360
D. 321,810	11/1991	Schultz .....	D7/363
D. 340,164	10/1993	Koch .....	D7/363

#### FOREIGN PATENT DOCUMENTS

DM026222 5/1993 WIPO ..... 7/2

*Primary Examiner*—Ruth McInroy  
*Attorney, Agent, or Firm*—Webb Ziesenheim Bruening Logsdon Orkin & Hanson, P.C.

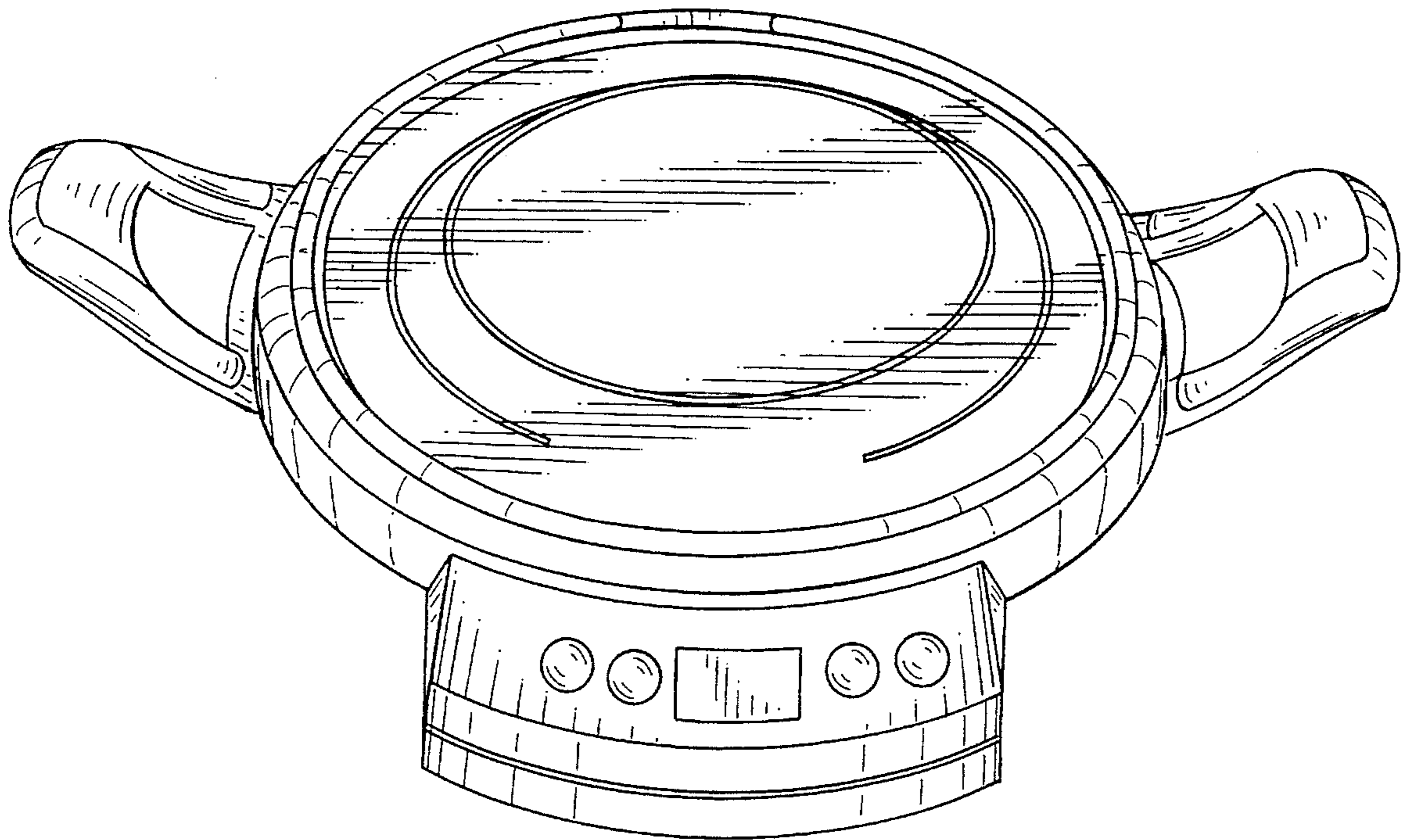
### [57] CLAIM

The ornamental design for a grill, as shown.

### DESCRIPTION

FIG. 1 is a perspective view of a grill showing our new design;  
 FIG. 2 is a top plan view thereof;  
 FIG. 3 is a left hand elevational view thereof;  
 FIG. 4 is a right hand elevational view thereof;  
 FIG. 5 is a bottom plan view thereof;  
 FIG. 6 is an elevational view taken at 90° to the view set forth in FIG. 3; and,  
 FIG. 7 is an elevational view taken at 180° to the view set forth in FIG. 6.

**1 Claim, 5 Drawing Sheets**



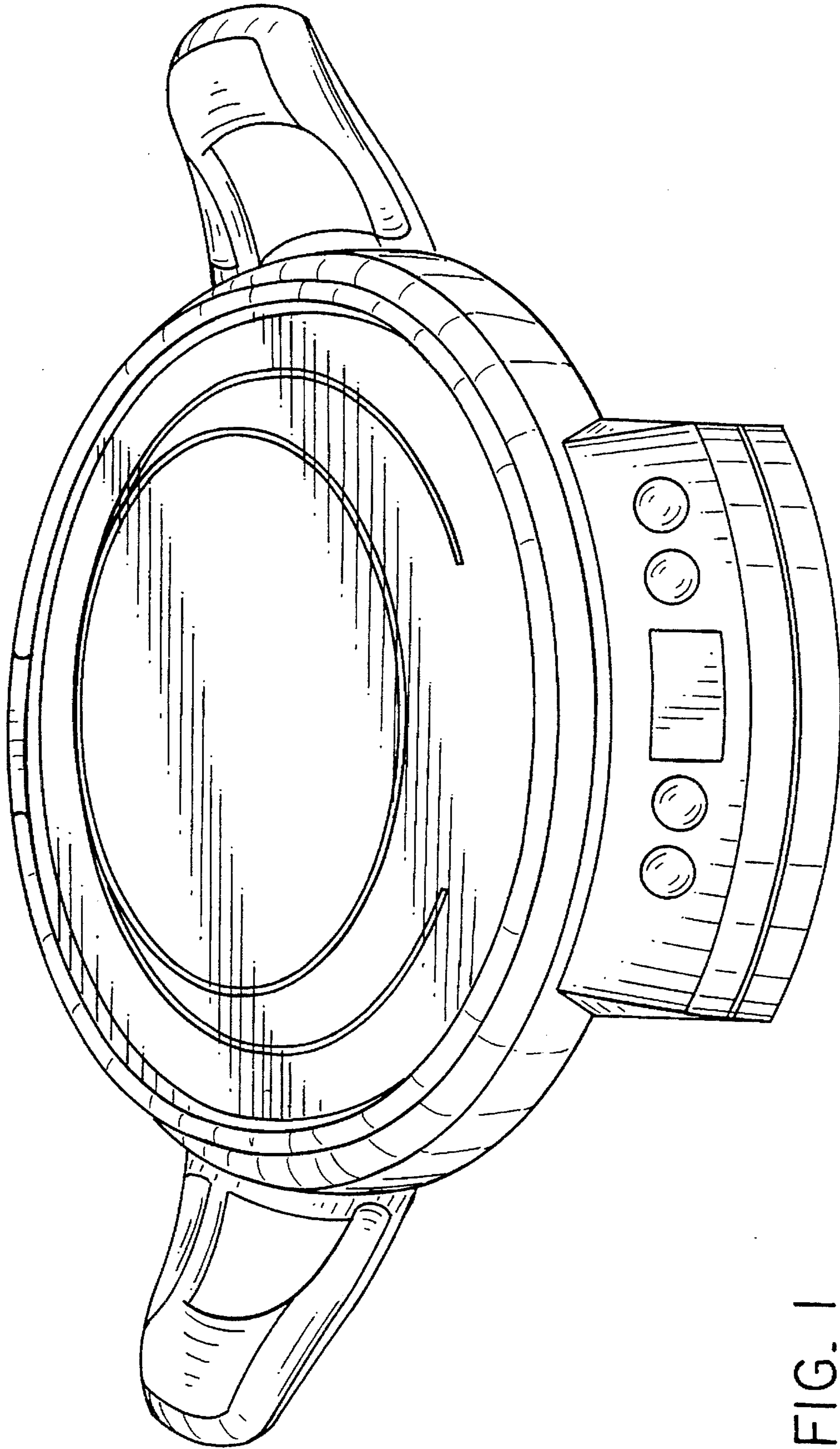


FIG. 1

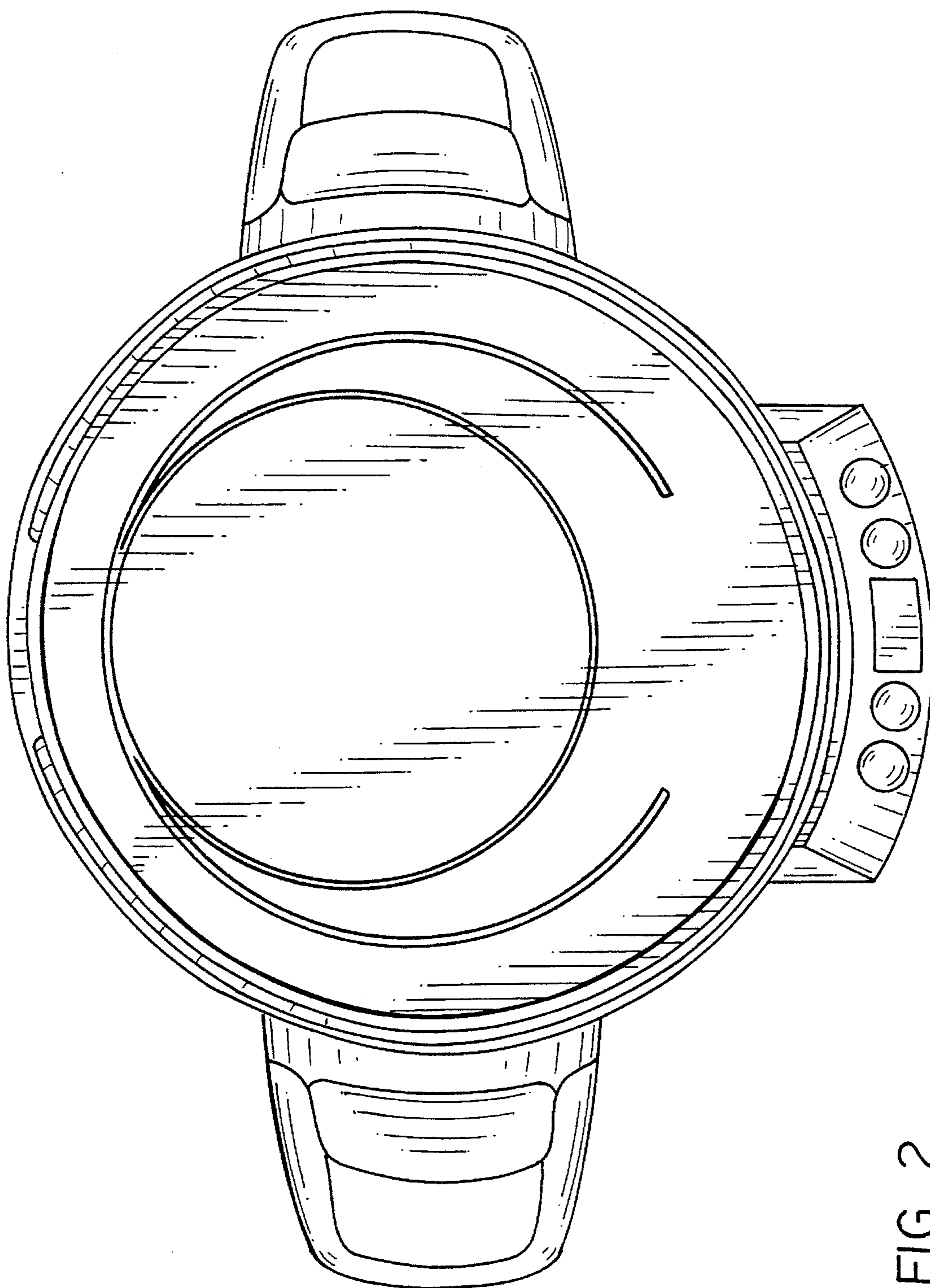


FIG. 2

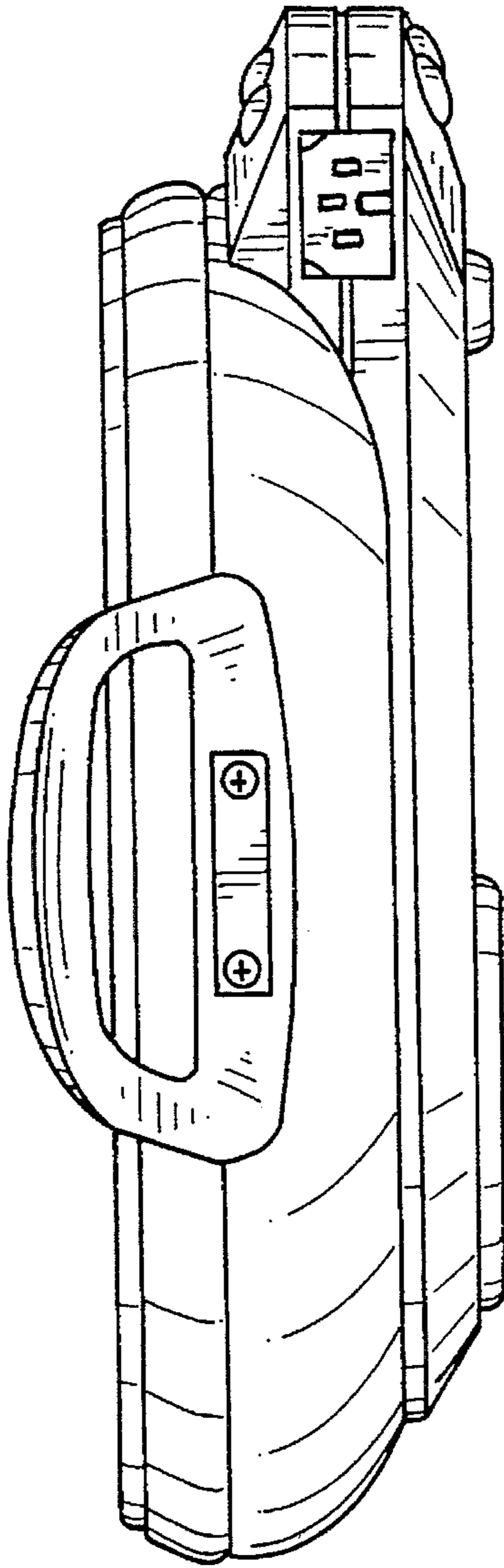


FIG. 3

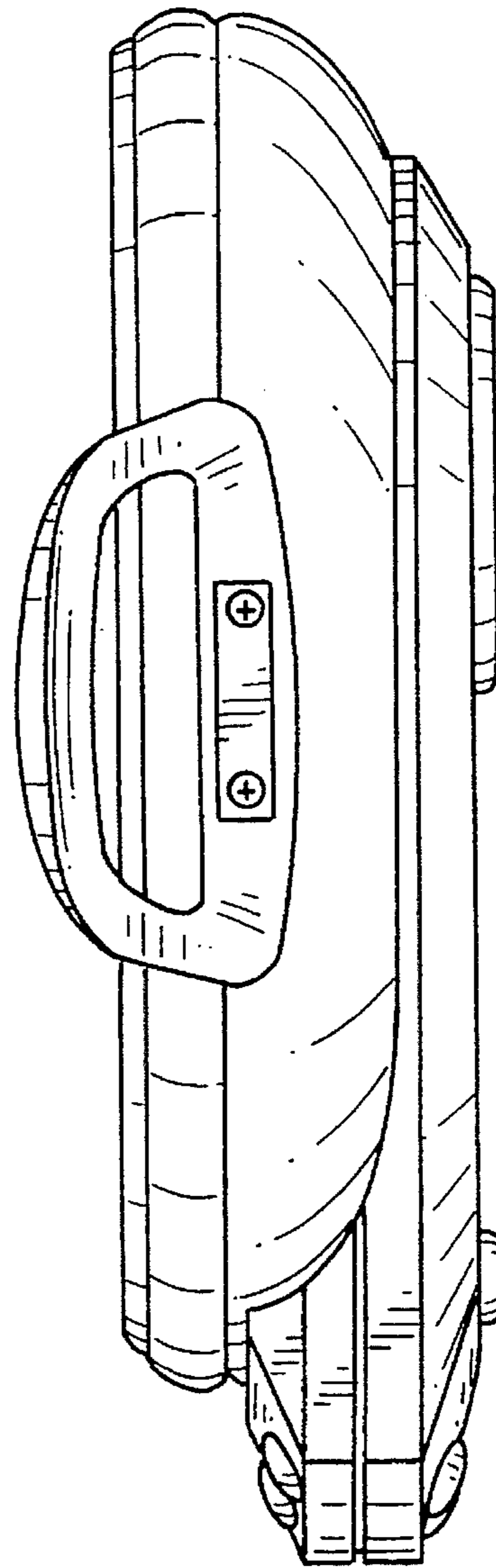


FIG. 4

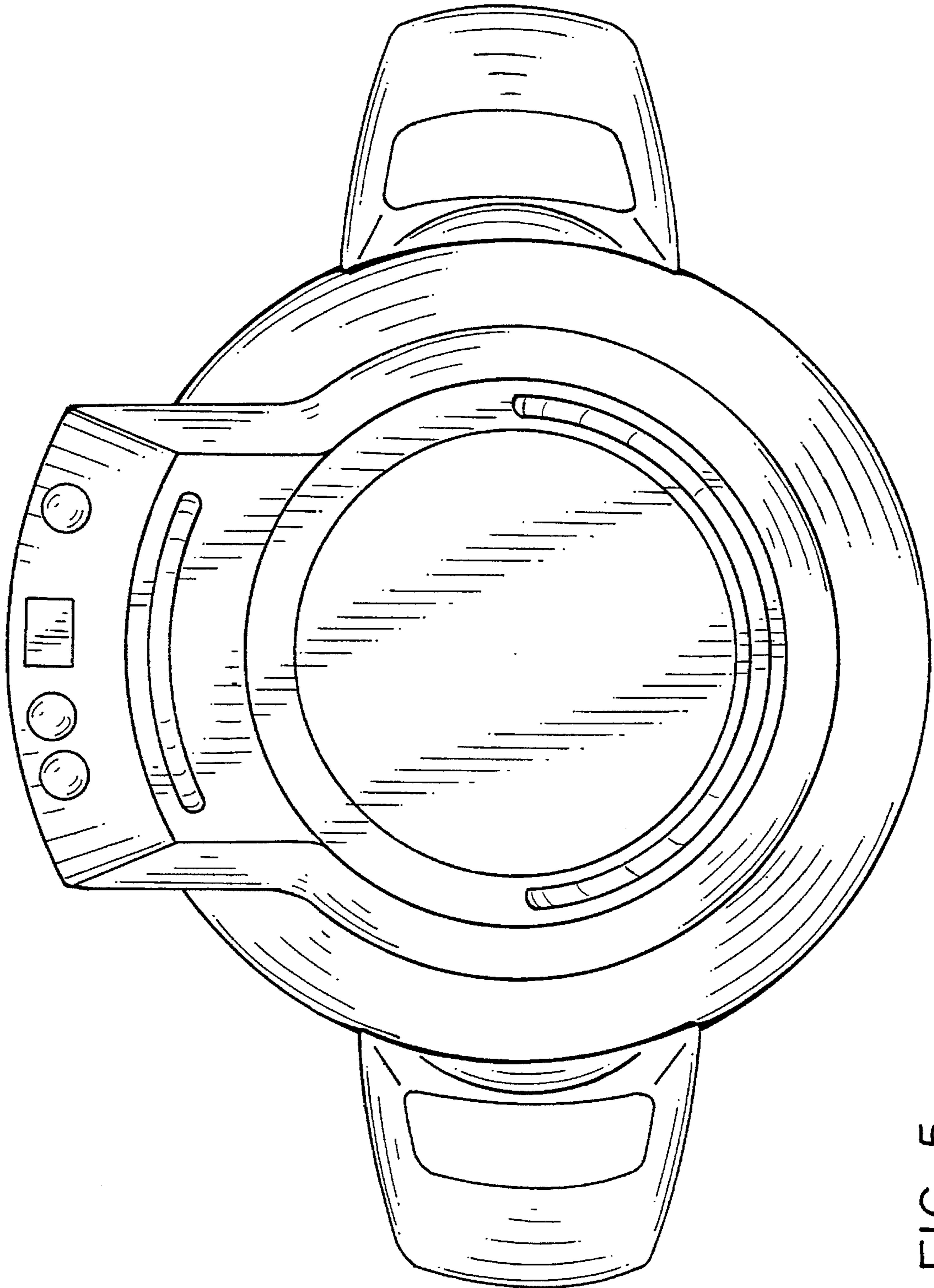


FIG. 5

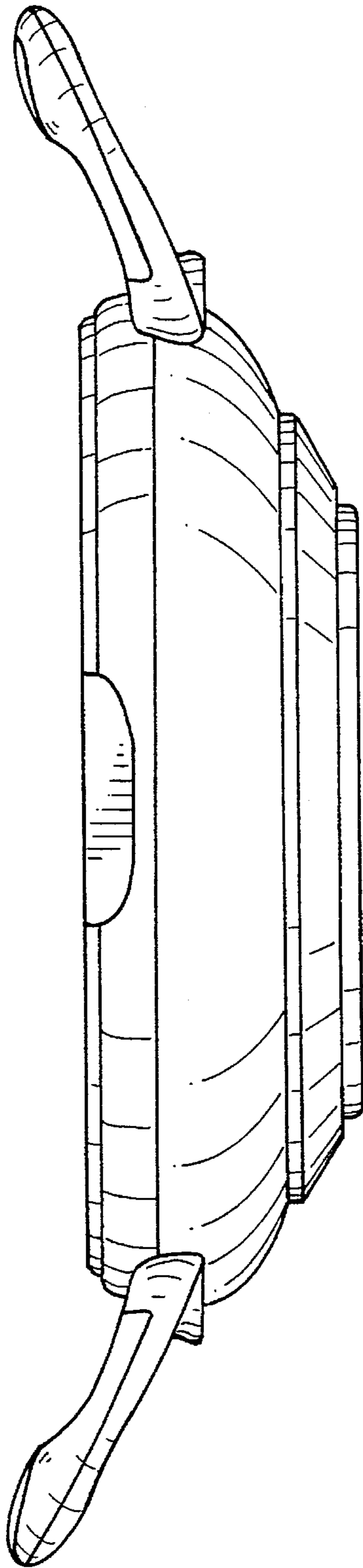


FIG. 6

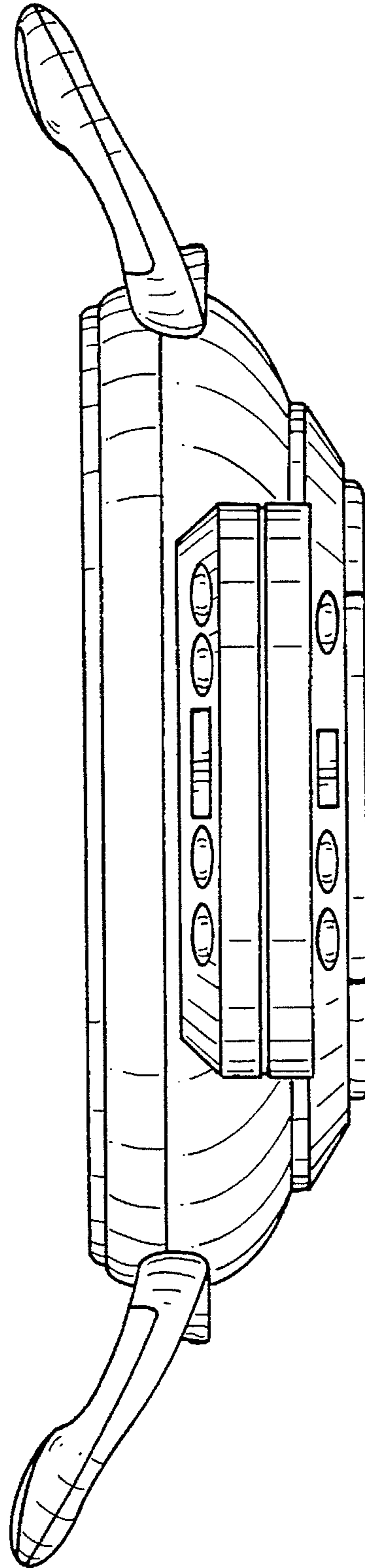


FIG. 7