



US00D378176S

United States Patent [19]

Feldman

[11] Patent Number: **Des. 378,176**

[45] Date of Patent: ****Feb. 25, 1997**

[54] **BAR FOR FOOD**

[76] Inventor: **Carl B. Feldman**, #4 Five Oaks Ct.,
Owings Mills, Md. 21117

[**] Term: **14 Years**

[21] Appl. No.: **16,093**

[22] Filed: **Dec. 7, 1993**

[52] U.S. Cl. **D6/481**

[58] Field of Search D6/481, 470, 471,
D6/438-440, 443, 397, 421; D15/79, 80,
81, 83; 312/116, 117, 140.1, 140.2, 236

[56] **References Cited**

U.S. PATENT DOCUMENTS

D. 92,467 6/1934 Gray D6/471

| | | | | |
|------------|---------|---------|-------|-----------|
| D. 106,228 | 9/1937 | Ahrens | | D6/471 |
| D. 158,534 | 5/1950 | Wesche | | D6/471 |
| 1,397,392 | 11/1921 | Amend | | 312/116 X |
| 1,614,319 | 1/1927 | Schmidt | | 312/116 |

Primary Examiner—Janice E. Seeger
Attorney, Agent, or Firm—Ronald P. Kananen

[57] CLAIM

The ornamental design for a bar for food, as shown and described.

DESCRIPTION

FIG. 1 is a front perspective view of a bar for food, showing my new design; and,
FIG. 2 is a rear perspective view thereof.
The side not shown is a mirror image of that shown.

1 Claim, 2 Drawing Sheets

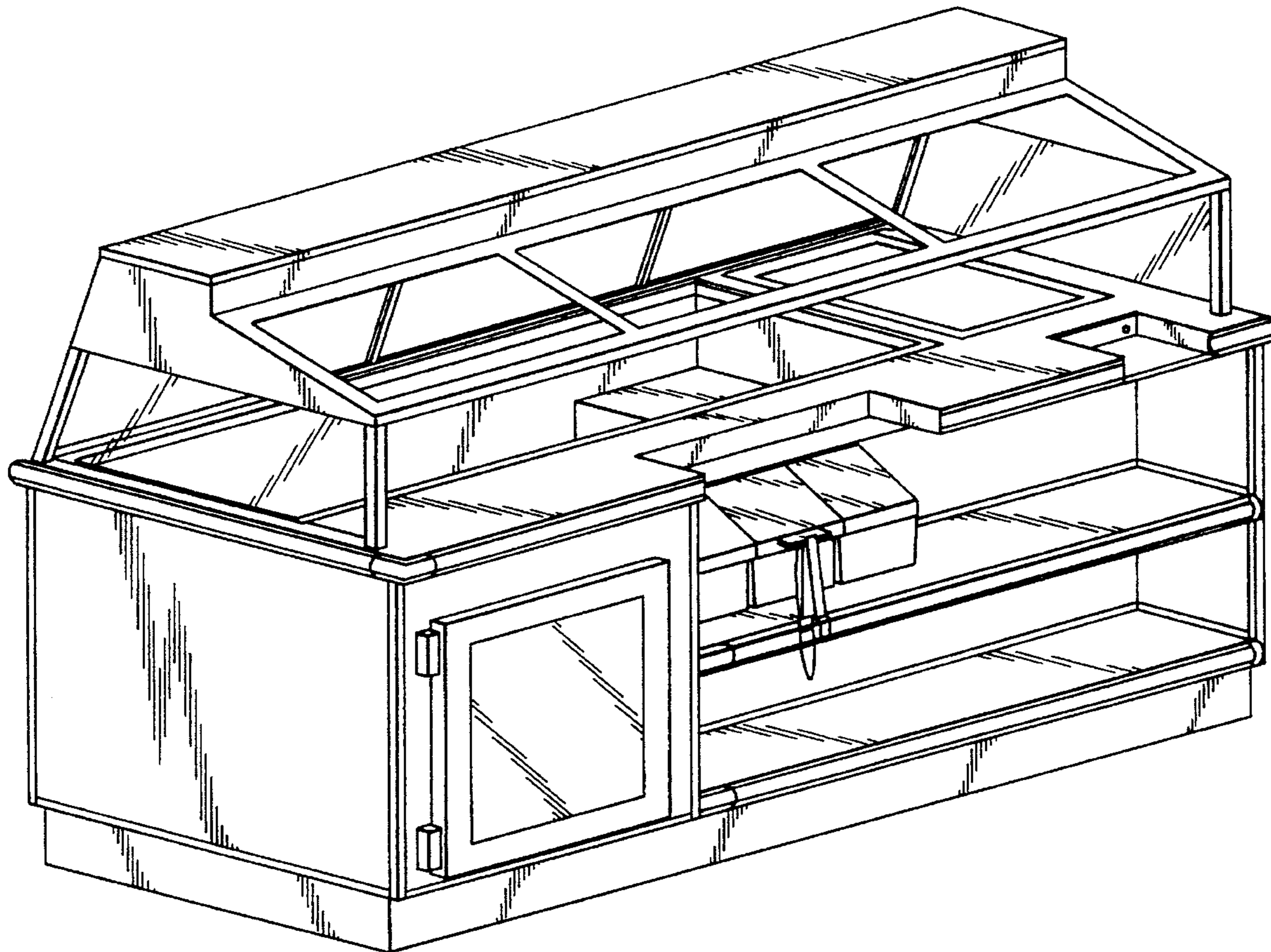


FIG. 1

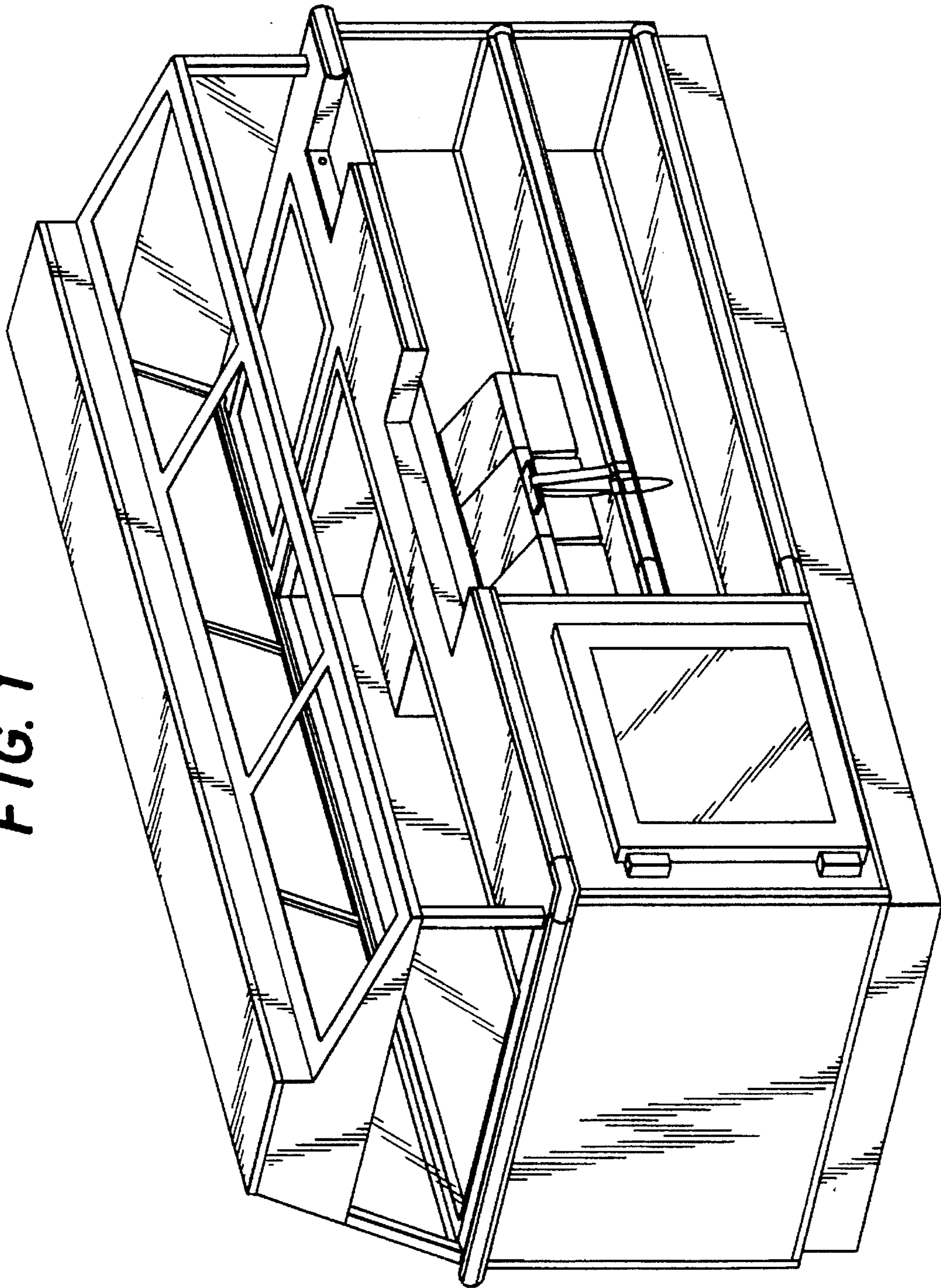


FIG. 2

