



US00D378175S

United States Patent [19]
Hamami

[11] **Patent Number: Des. 378,175**

[45] **Date of Patent: **Feb. 25, 1997**

[54] **AUDIO/VIDEO STORAGE UNIT**

4,961,506 10/1990 Lang 211/186 X
5,083,844 1/1992 Gruenberg et al. 312/238 X

[75] Inventor: **Demir Hamami**, Bethesda, Md.

Primary Examiner—Jeffrey Asch
Attorney, Agent, or Firm—Saidman Designlaw Group

[73] Assignee: **BDI, Becker Designed Inc.**, Chantilly, Va.

[57] **CLAIM**

[**] Term: **14 Years**

The ornamental design for an audio-video storage unit, as shown and described.

[21] Appl. No.: **52,634**

[22] Filed: **Apr. 4, 1996**

DESCRIPTION

[52] **U.S. Cl.** **D6/479**

[58] **Field of Search** D6/477-479, 473, D6/474, 467, 468, 484, 487, 482; 211/186, 135; 248/174; 108/184; 312/238, 223.1

FIG. 1 is a perspective view of an audio/video storage unit showing my new design;
FIG. 2 is a front view in elevation thereof;
FIG. 3 is a rear view thereof;
FIG. 4 is a top view thereof;
FIG. 5 is a bottom view thereof;
FIG. 6 is a right side view thereof, the left side view being a mirror image;
FIG. 7 is a perspective view of a second embodiment of my design, the top and bottom views being identical to FIGS. 4 & 5, respectively;
FIG. 8 is a front view in elevation thereof;
FIG. 9 is a rear view thereof; and,
FIG. 10 is a right side view thereof, the left side view being a mirror image.

[56] **References Cited**

U.S. PATENT DOCUMENTS

D. 271,646	12/1983	Thompson	D6/479
D. 294,787	3/1988	Berry, Jr.	D6/479 X
D. 300,701	4/1989	Jonker	D6/474
D. 325,137	4/1992	Porter	D6/479
D. 333,749	3/1993	Leonard	D6/467 X
D. 335,051	4/1993	Ossip	D6/479 X
D. 371,259	7/1996	Herbst	D6/479
3,648,627	3/1972	Schliemann et al.	211/186 X
4,056,897	11/1977	Pearce et al.	108/184 X
4,182,244	1/1980	Hutchins, Jr. et al.	248/174

1 Claim, 8 Drawing Sheets

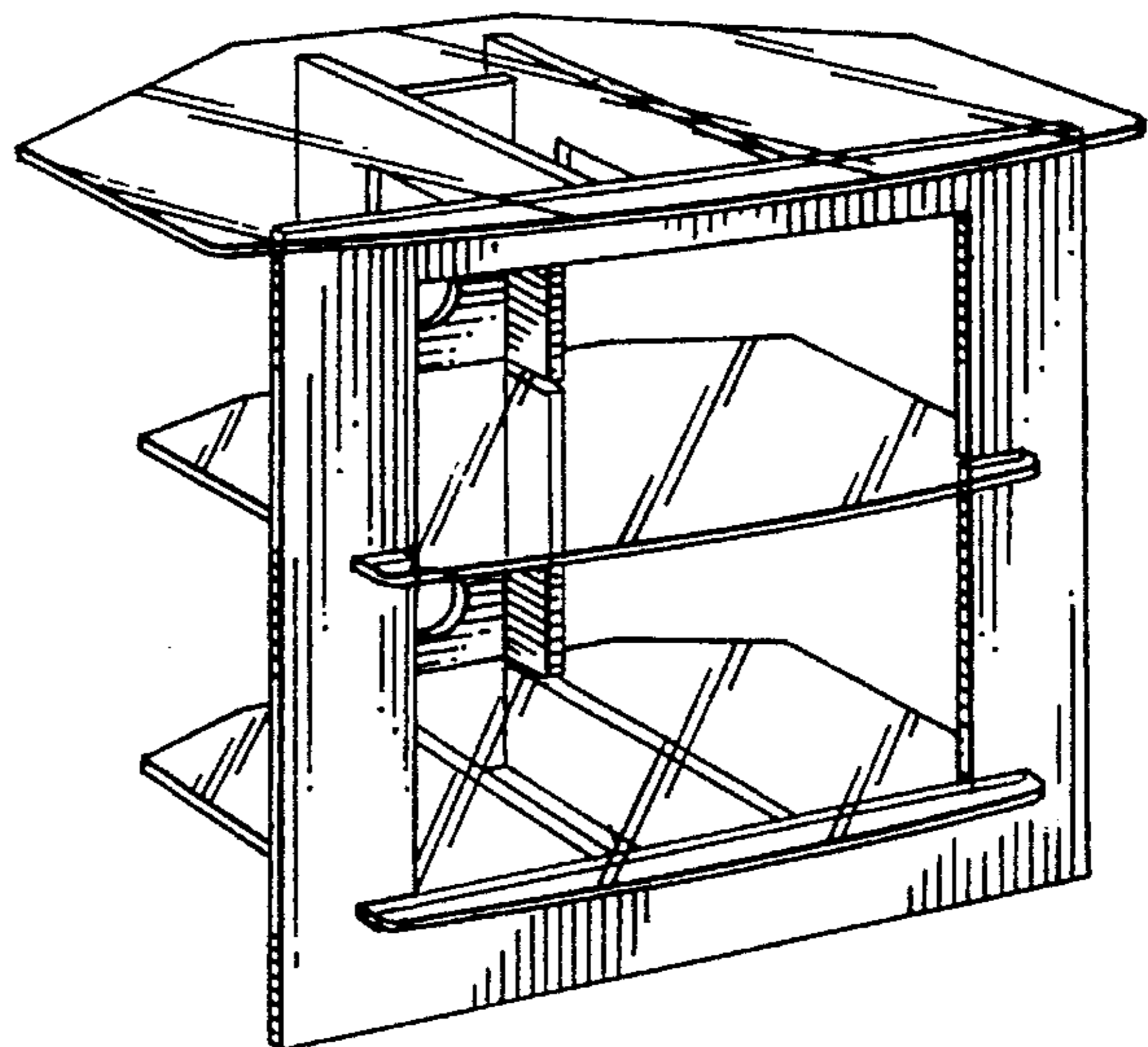
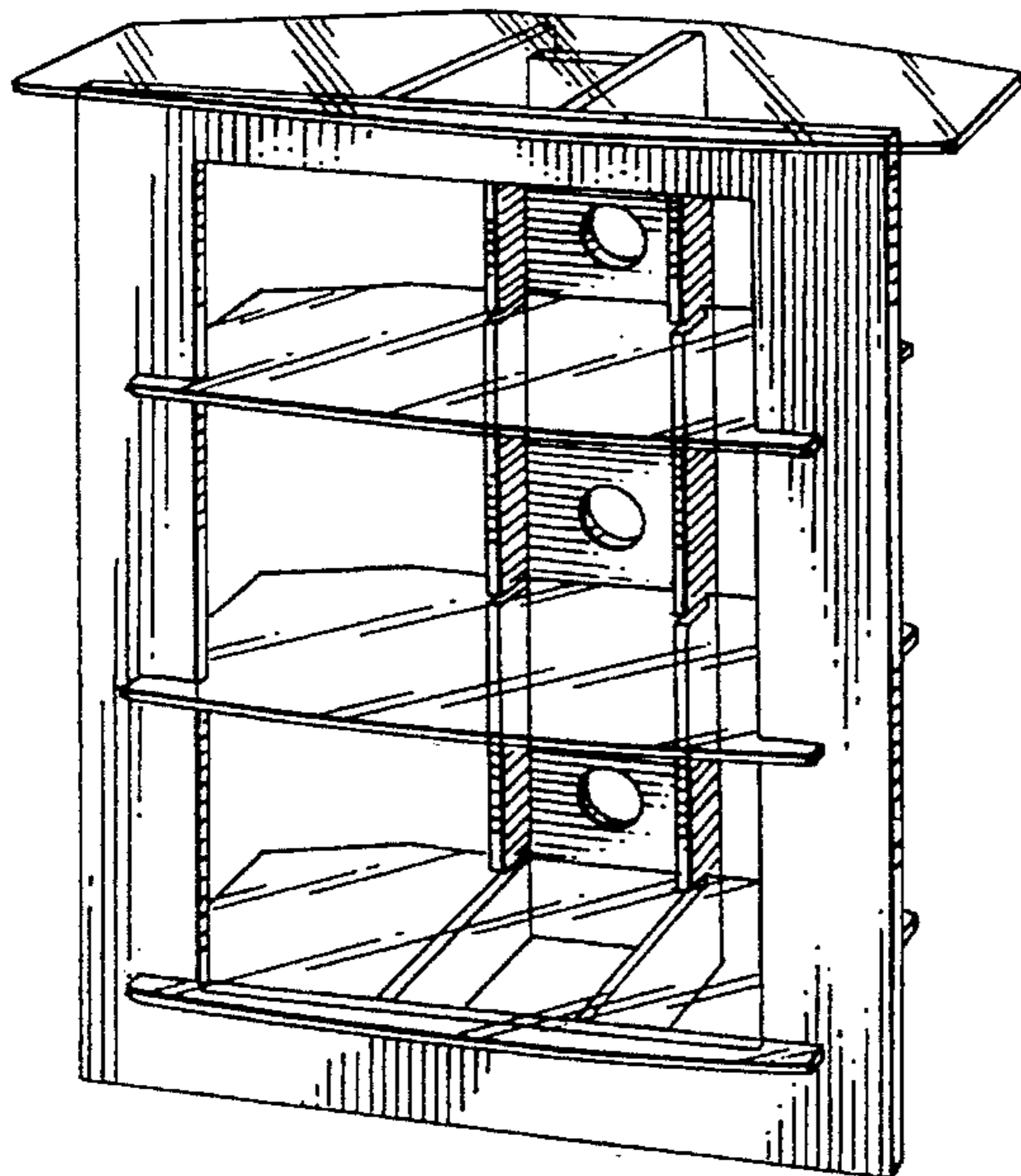
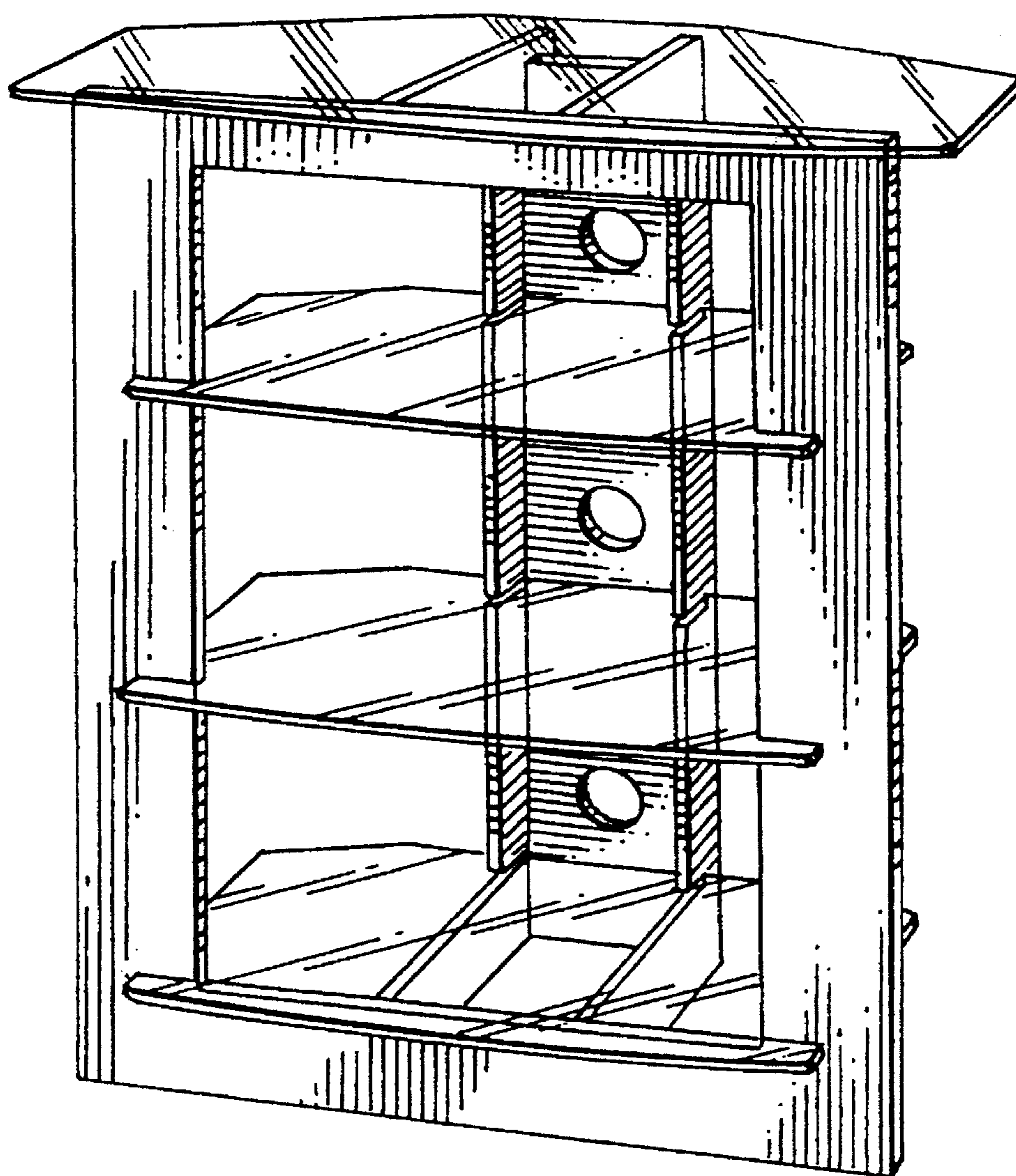


Fig. 1



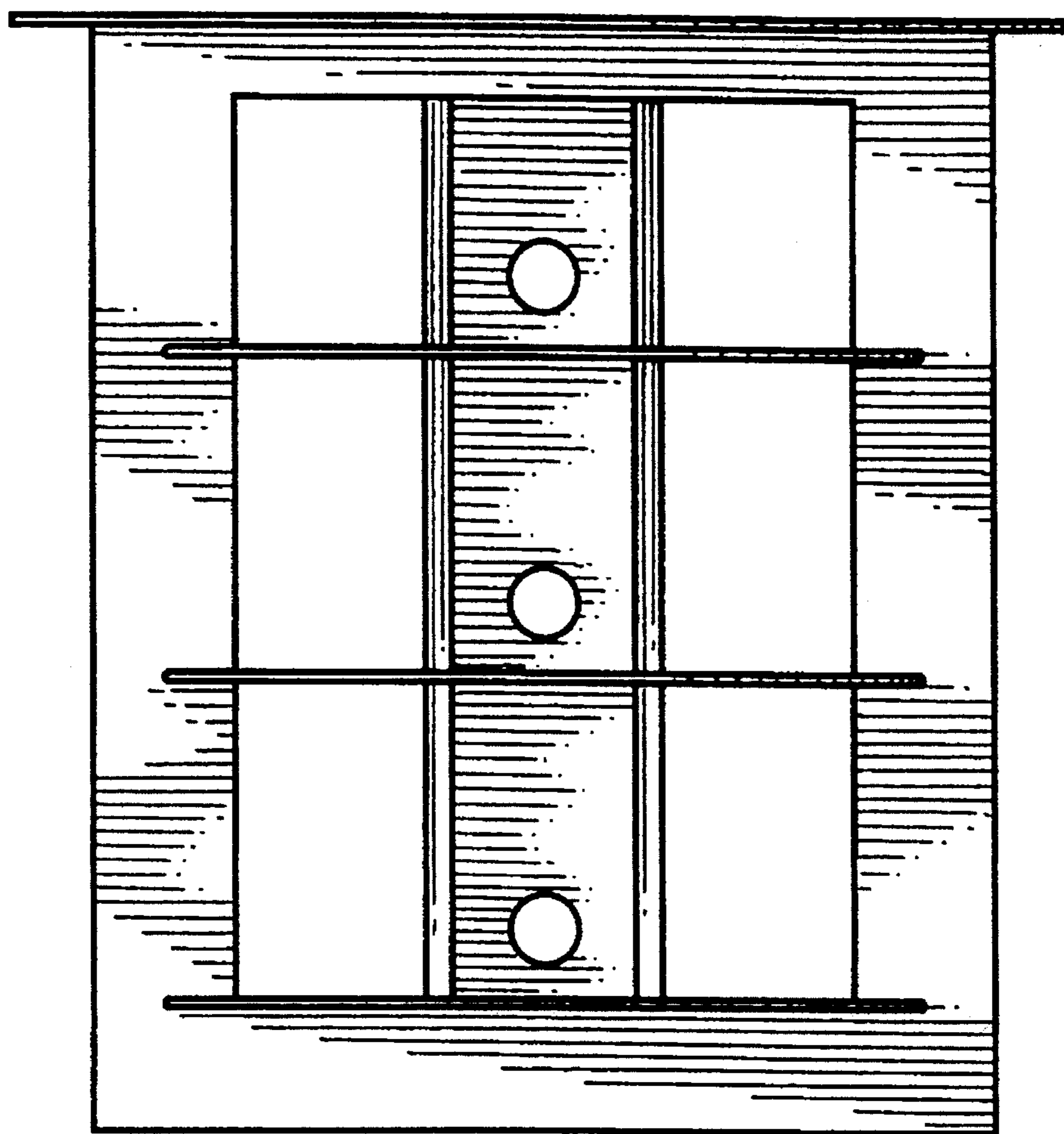


Fig.2

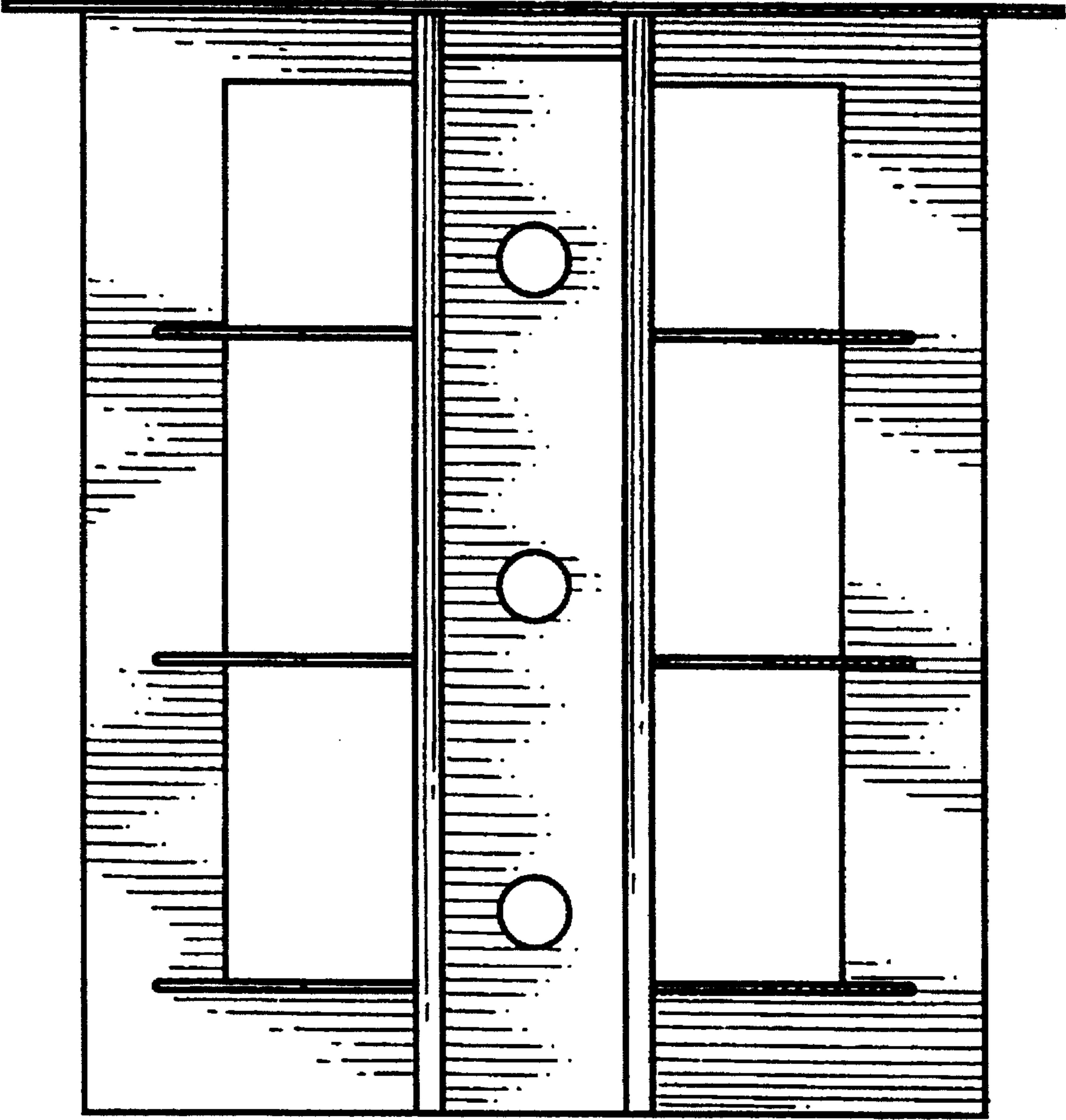


Fig.3

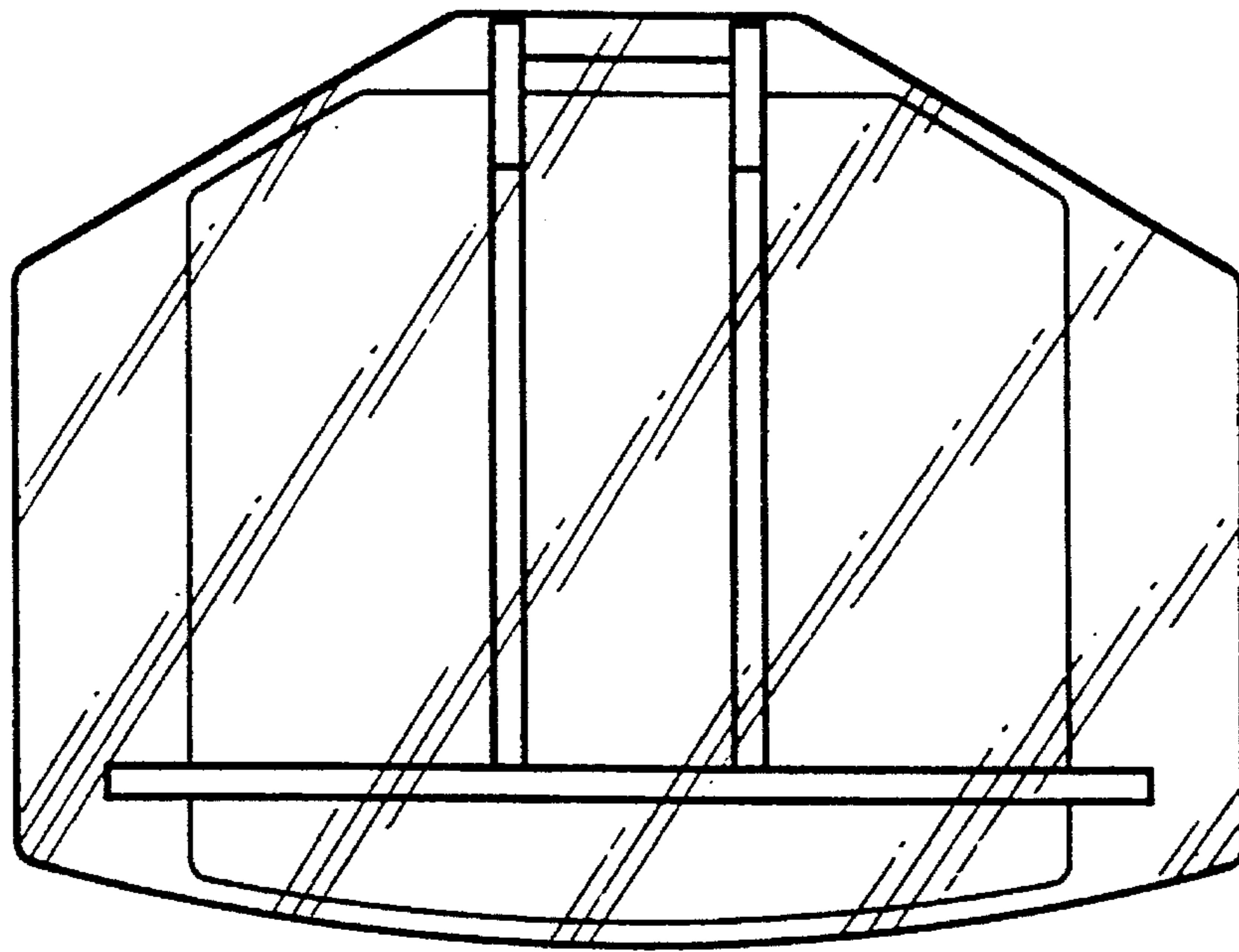


Fig.4

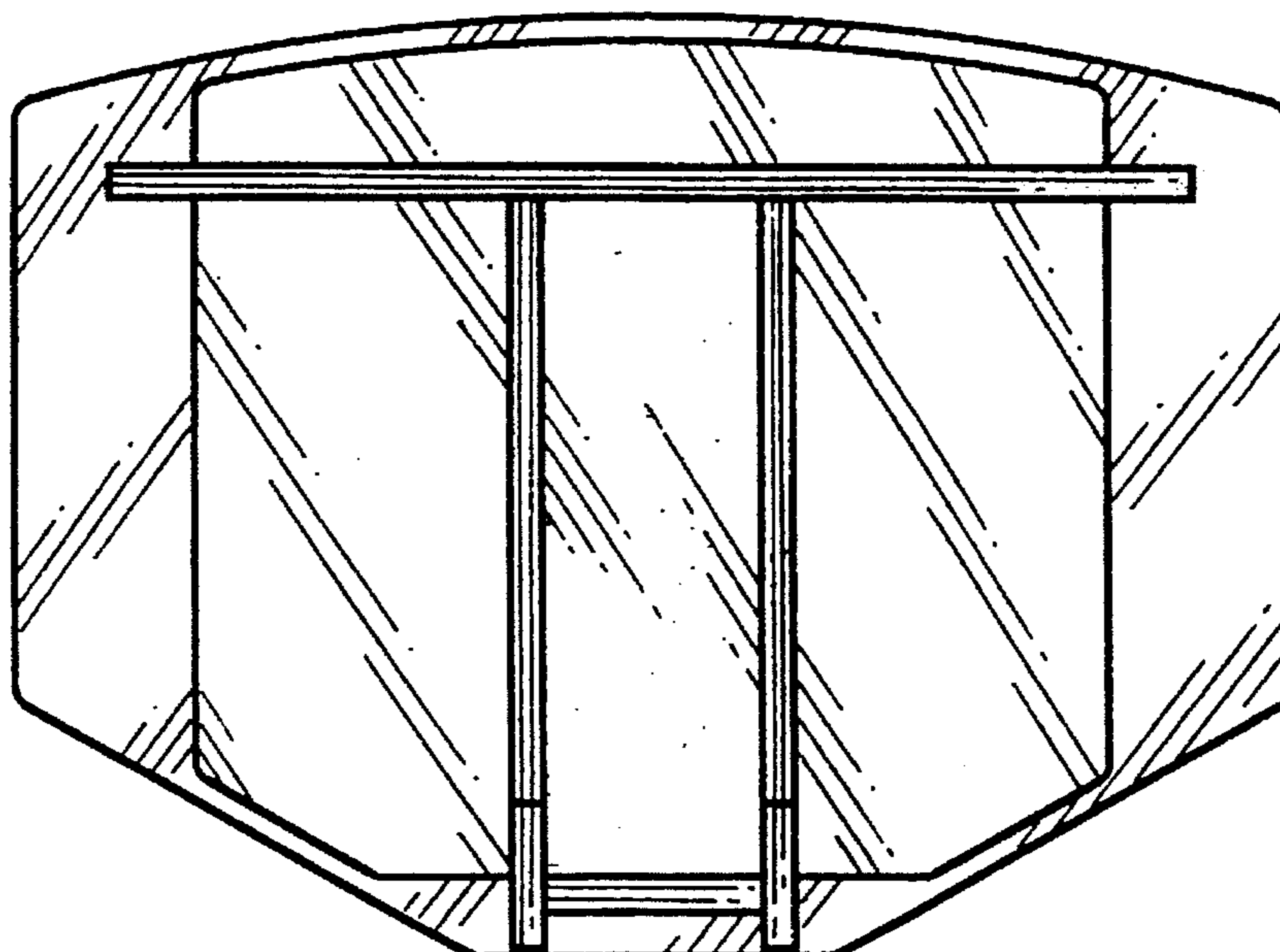


Fig.5

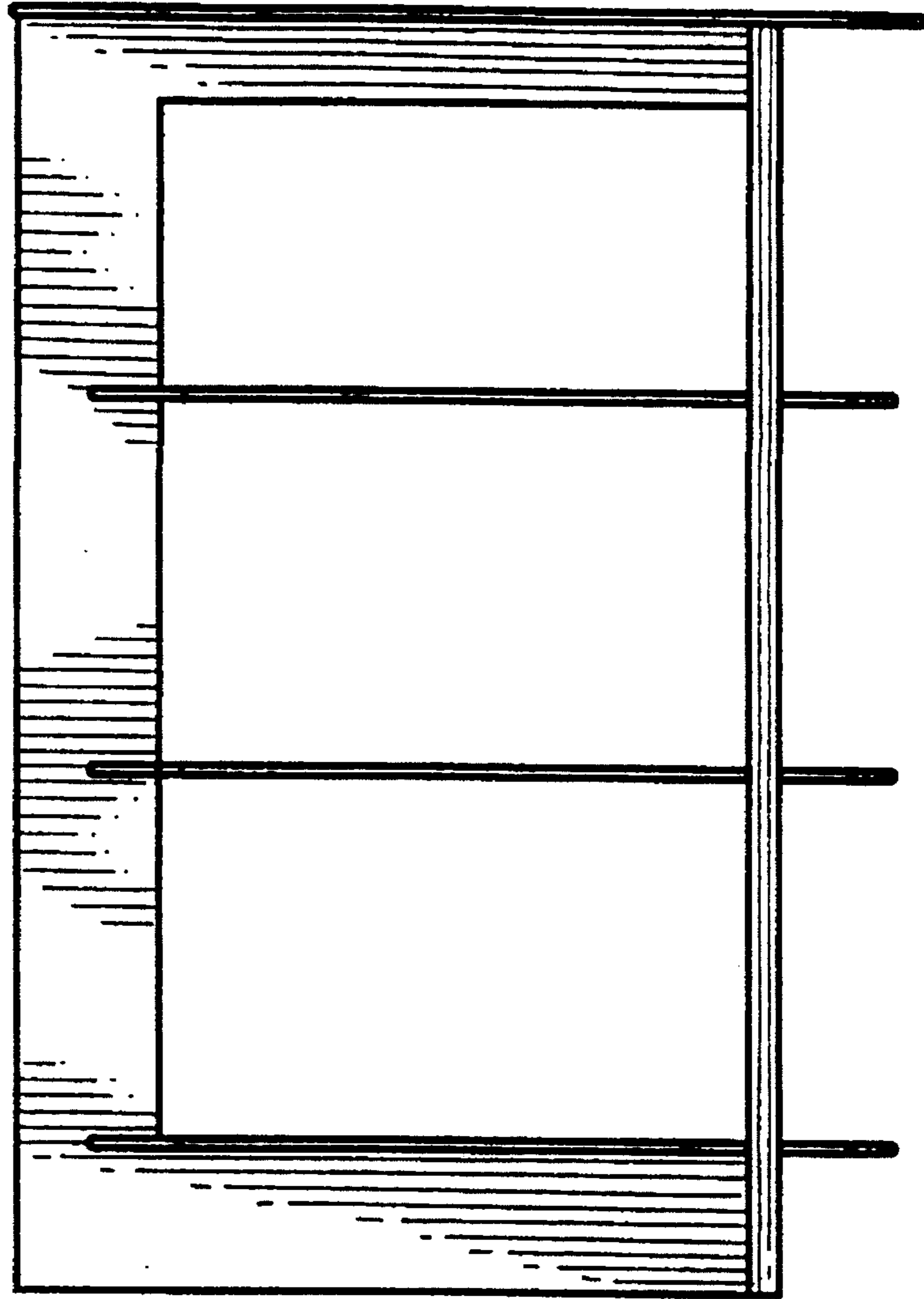
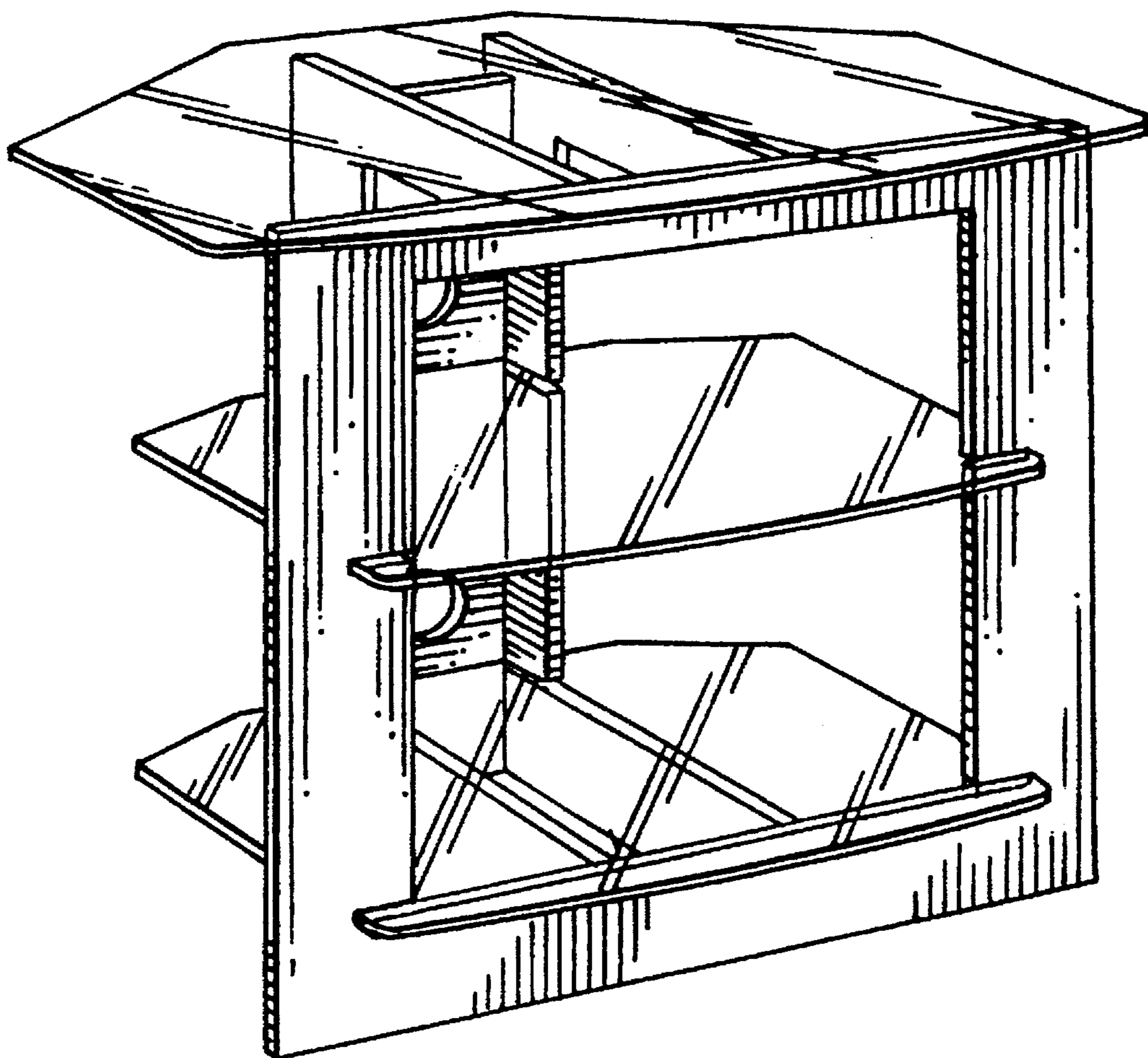


Fig.6

Fig. 7



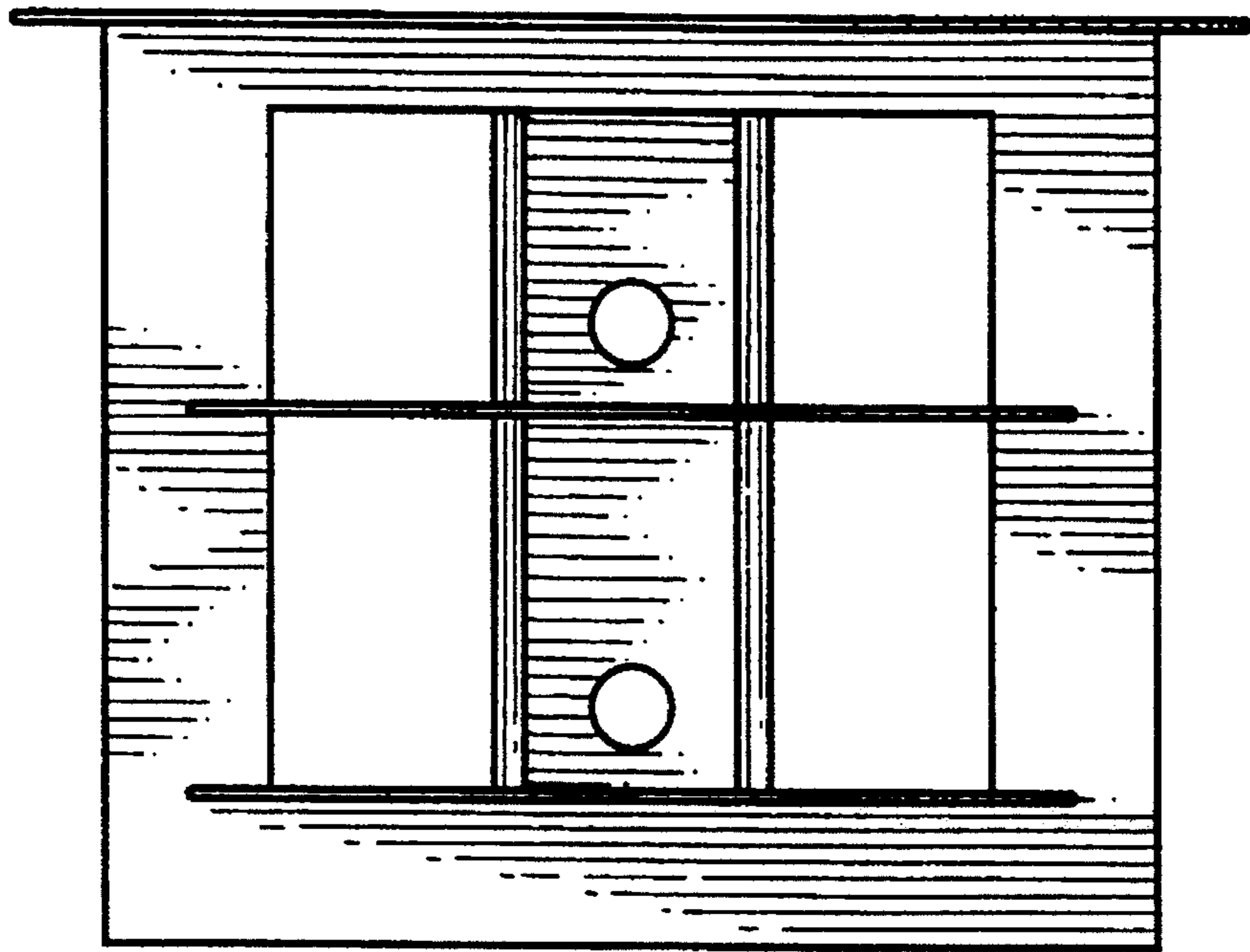


Fig. 8

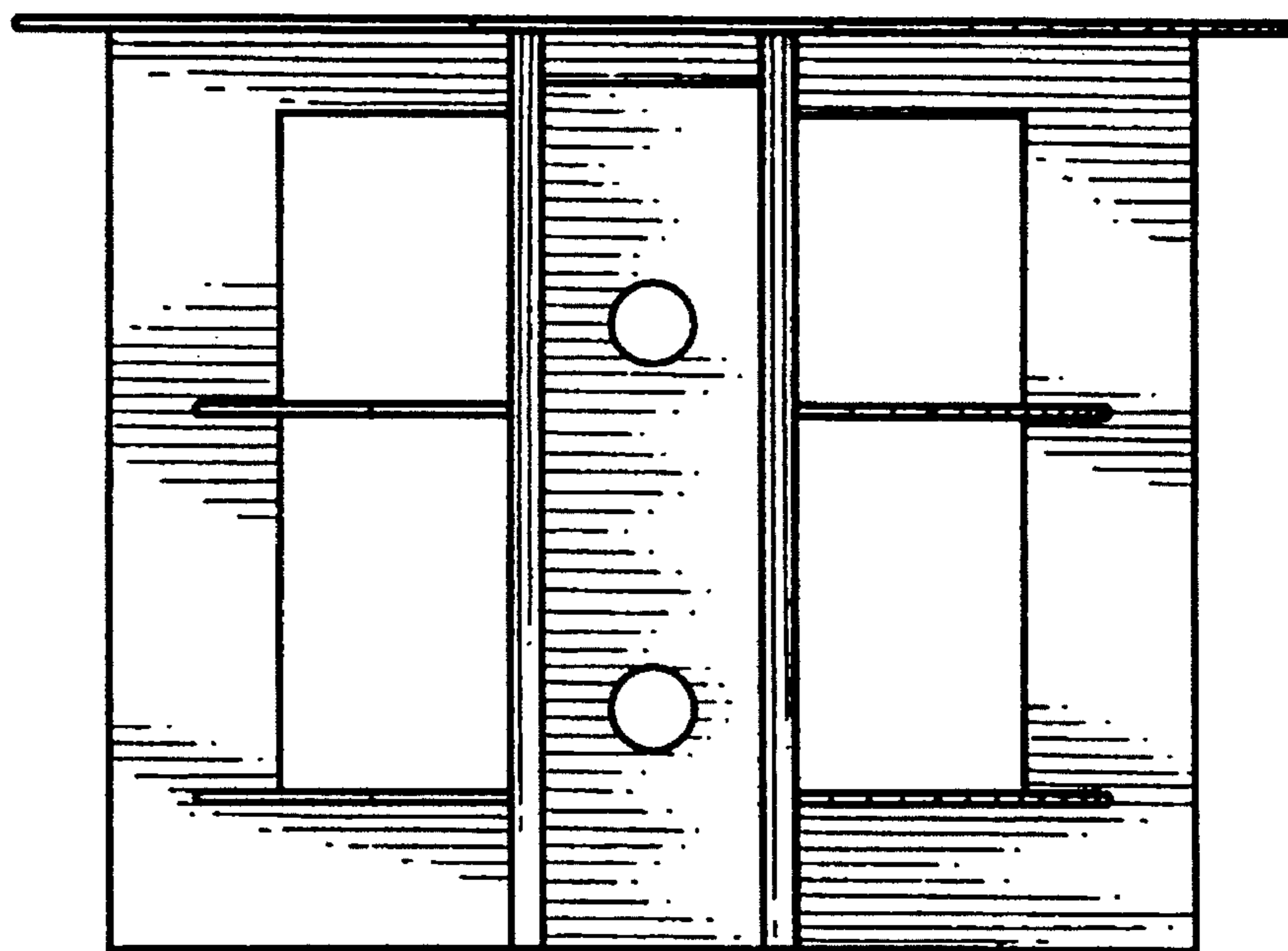


Fig. 9

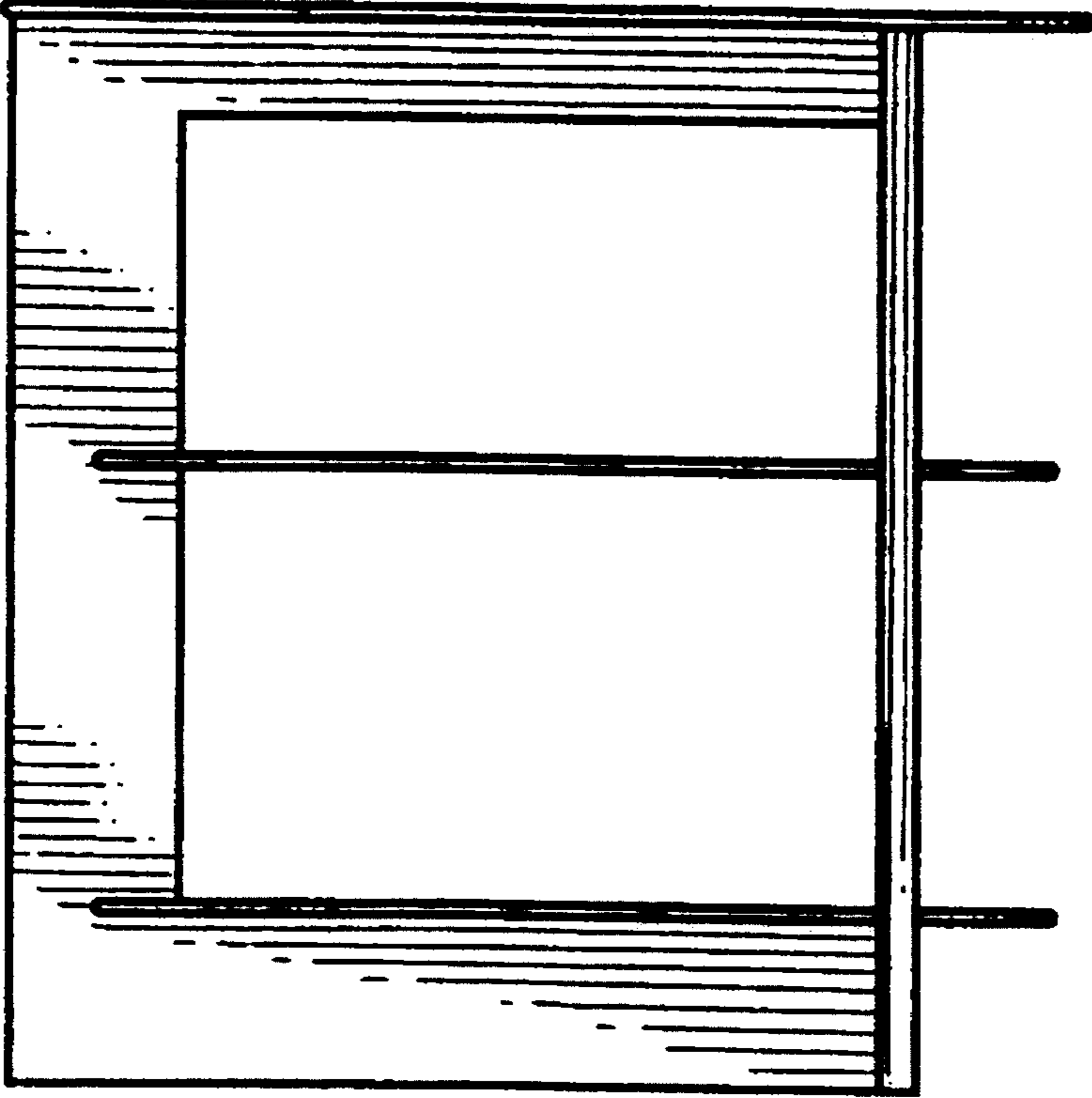


Fig. 10

UNITED STATES PATENT AND TRADEMARK OFFICE
CERTIFICATE OF CORRECTION

PATENT NO. : Des. 378,175
DATED : February 25, 1997
INVENTOR(S) : Demir HAMAMI

Page 1 of 2

It is certified that error appears in the above-identified patent and that said Letters Patent is hereby corrected as shown below:

Item [56] under "References Cited" should
listed the following additional references:

U.S. PATENT DOCUMENTS:

D. 363,626	10/1995	Herbst
D. 371,472	7/1996	Herbst

OTHER PUBLICATIONS

Audio Magic Productions MS-4 rack, Home Theatre, May 1996, p. 64.
Atlantis Reference audio rack, Home Theatre, May 1996, p. 70.
Lovan Sovereign AVR video rack, Home Theatre, May 1996, p. 72.
Target D5A component rack, Home Theatre, May 1996, p. 74.

UNITED STATES PATENT AND TRADEMARK OFFICE
CERTIFICATE OF CORRECTION

PATENT NO. : Des. 378,175
DATED : February 25, 1997
INVENTOR(S) : Demir HAMAMI

Page 2 of 2

It is certified that error appears in the above-identified patent and that said Letters Patent is hereby corrected as shown below:

Bell'Oggetti B-708 Arco TV stand, Home
Theatre Buyer's Guide, Summer 1996, p. 122.
nomi Designs, Contemporary Home Entertainment
Furniture brochure, Models BRAVO, CELLO,
TEMPO, CONCERTO & FUTURO

Signed and Sealed this
Sixth Day of October, 1998

Attest:



BRUCE LEHMAN

Attesting Officer

Commissioner of Patents and Trademarks