



US00D378173S

United States Patent [19] Hobson

[11] Patent Number: **Des. 378,173**

[45] Date of Patent: ****Feb. 25, 1997**

[54] **VOTING BOOTH**

4,854,652 8/1989 Ahmann 312/258 X

[75] Inventor: **Derry L. Hobson**, Tulare County, Calif.

Primary Examiner—Carmen H. Vales-Lado
Attorney, Agent, or Firm—Paul M. Denk

[73] Assignee: **Smurfit Packaging Corporation**, St. Louis, Mo.

[57] CLAIM

[**] Term: **14 Years**

The ornamental design for a voting booth, as shown and described.

[21] Appl. No.: **51,389**

DESCRIPTION

[22] Filed: **Mar. 8, 1996**

[52] U.S. Cl. **D6/421; D6/429**

[58] Field of Search D6/419-428, 429-431;
312/194-196, 257-259, 223.2, 222.3, 310,
309, 283, 239; 108/59, 60, 11, 115, 162

FIG. 1 is a perspective view of a voting booth showing my new design;

FIG. 2 is a top plan view thereof;

FIG. 3 is a left side view, the right side view being a mirror image thereof;

FIG. 4 is a bottom view;

FIG. 5 is a front view;

FIG. 6 is a top view in folded condition;

FIG. 7 is a bottom view thereof;

FIG. 8 is a front perspective view in folded condition with the lid open;

FIG. 9 is a front view of FIG. 6; and,

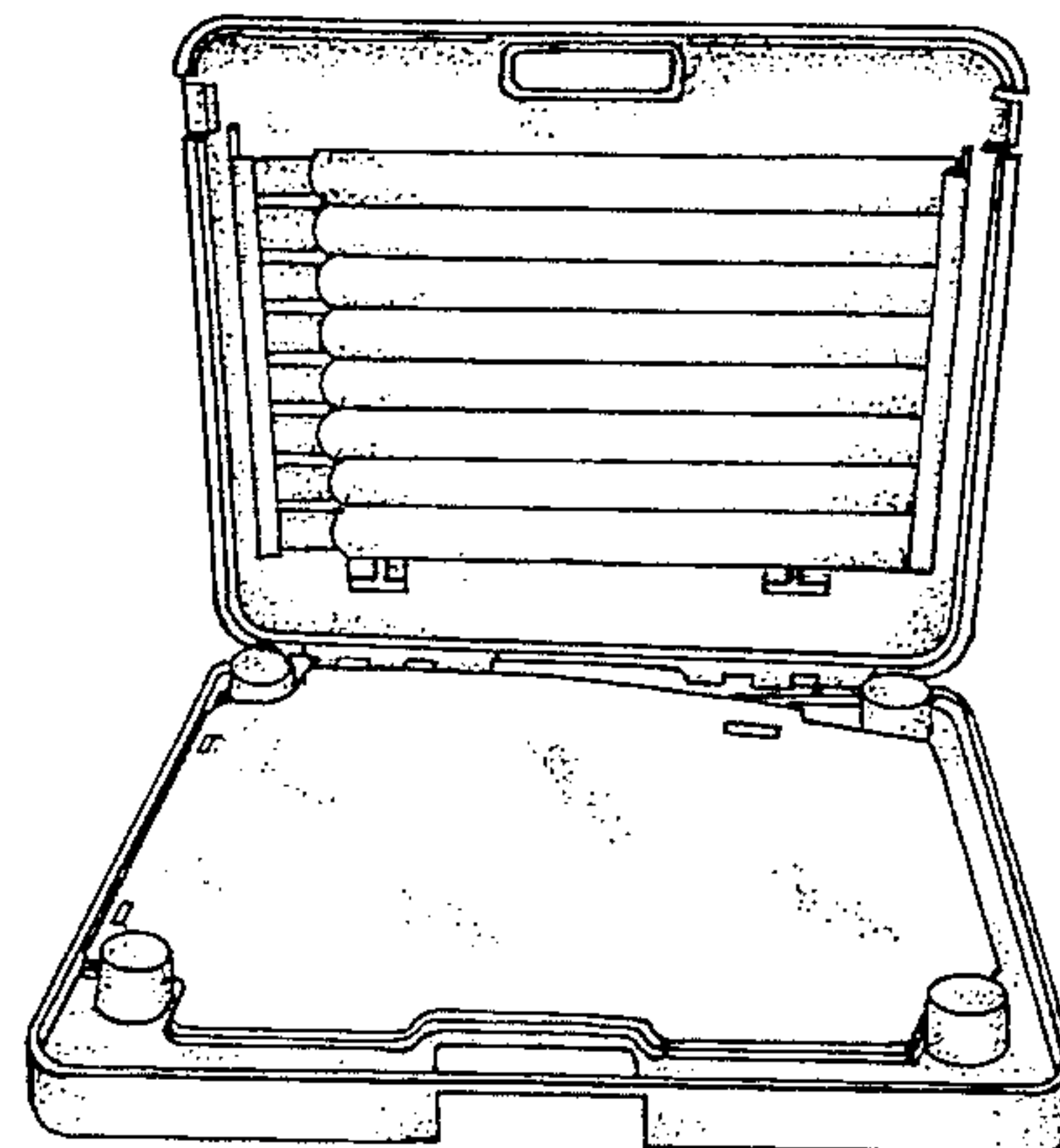
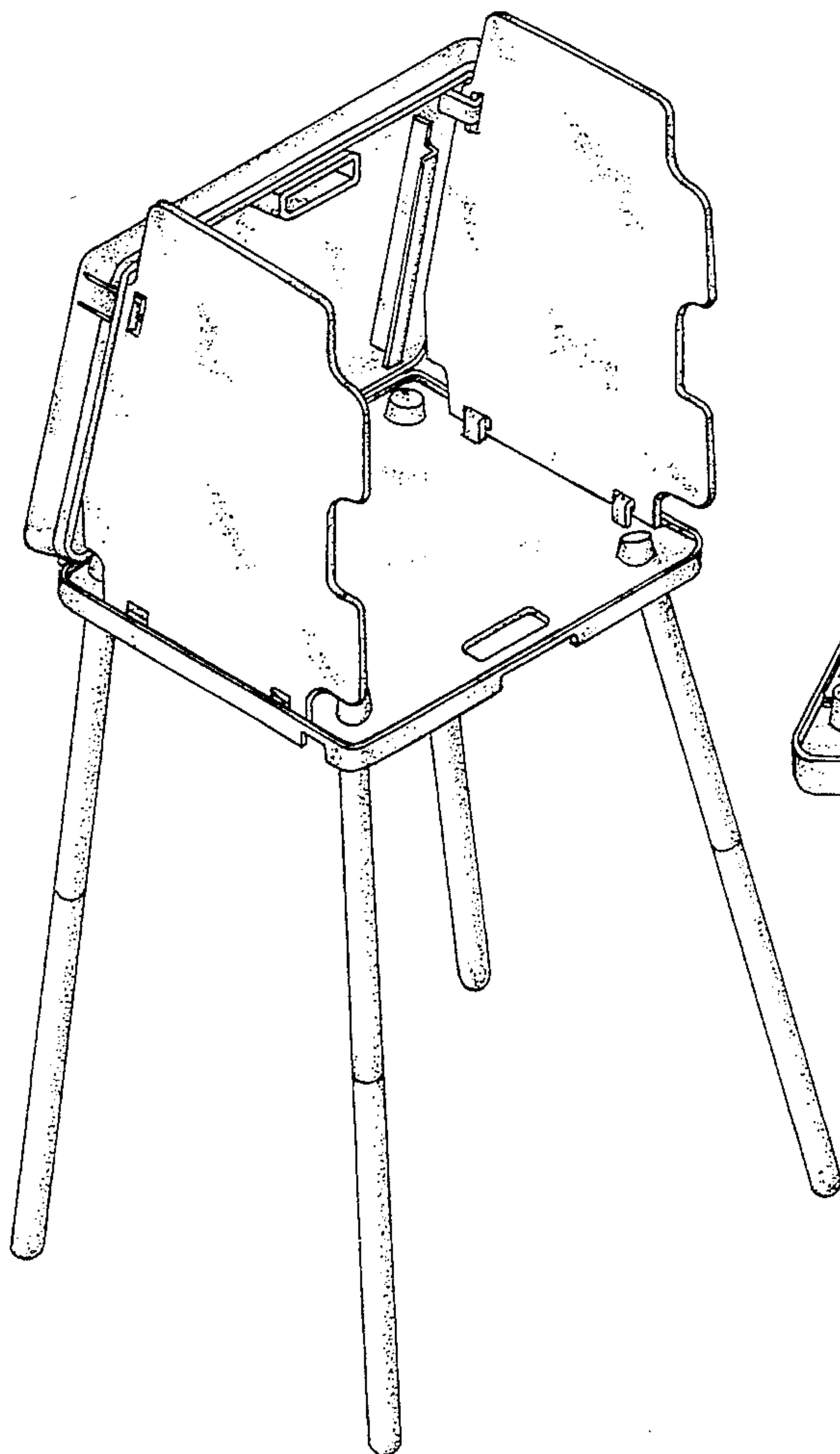
FIG. 10 is a right side view, the left side view being a mirror image thereof.

[56] References Cited

U.S. PATENT DOCUMENTS

D. 221,386	8/1971	Babbs et al.	D6/421
D. 230,232	2/1974	Howard et al.	D6/421
3,620,587	11/1971	Ahmann	312/258 X
3,806,219	4/1974	Ahmann	312/258 X
4,445,731	5/1984	Ahmann	312/258
4,451,728	5/1984	McKay et al.	312/258 X
4,484,787	11/1984	Stephens	312/239
4,660,904	4/1987	Stephens	312/258 X

1 Claim, 4 Drawing Sheets



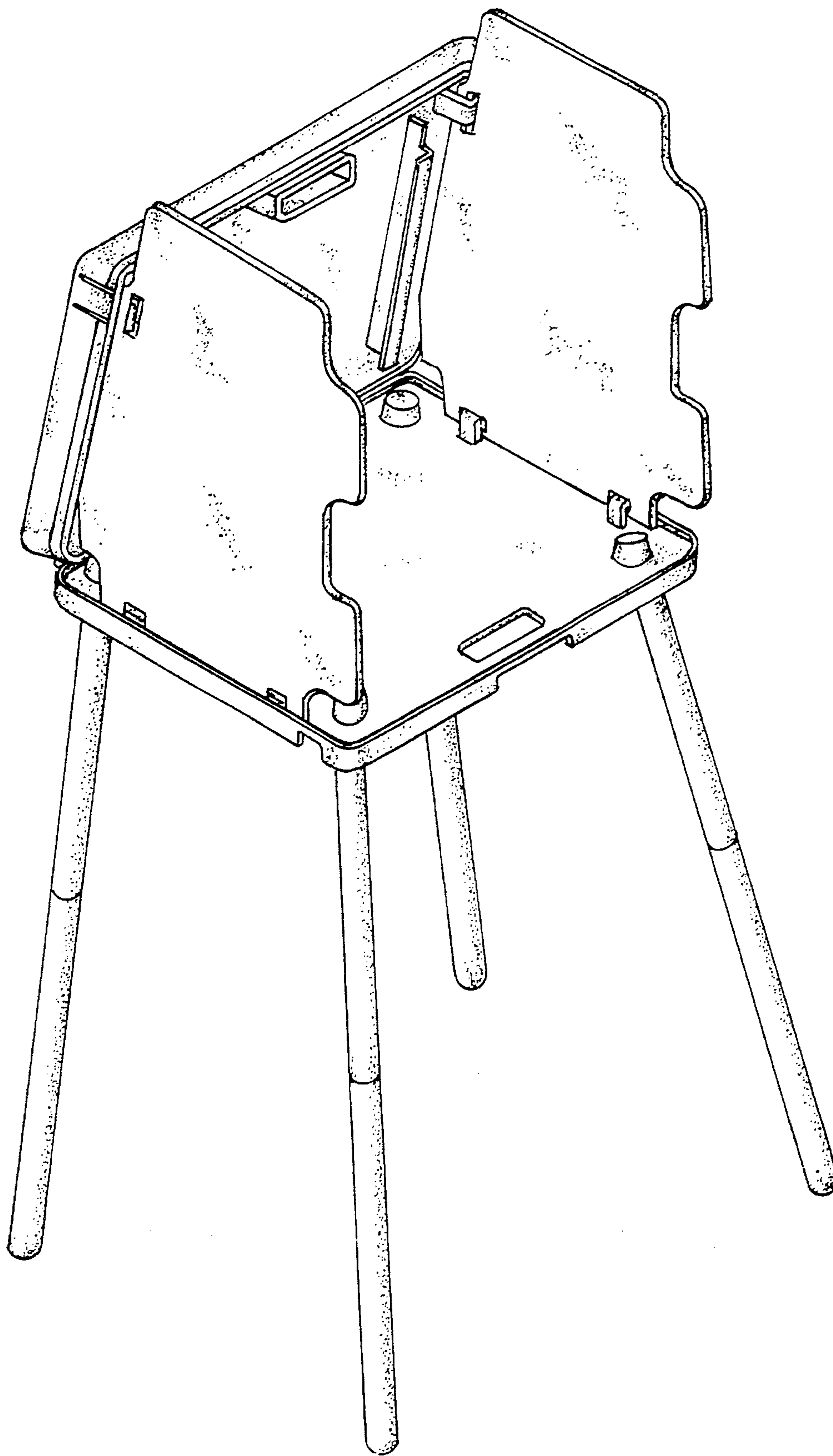


FIG.1

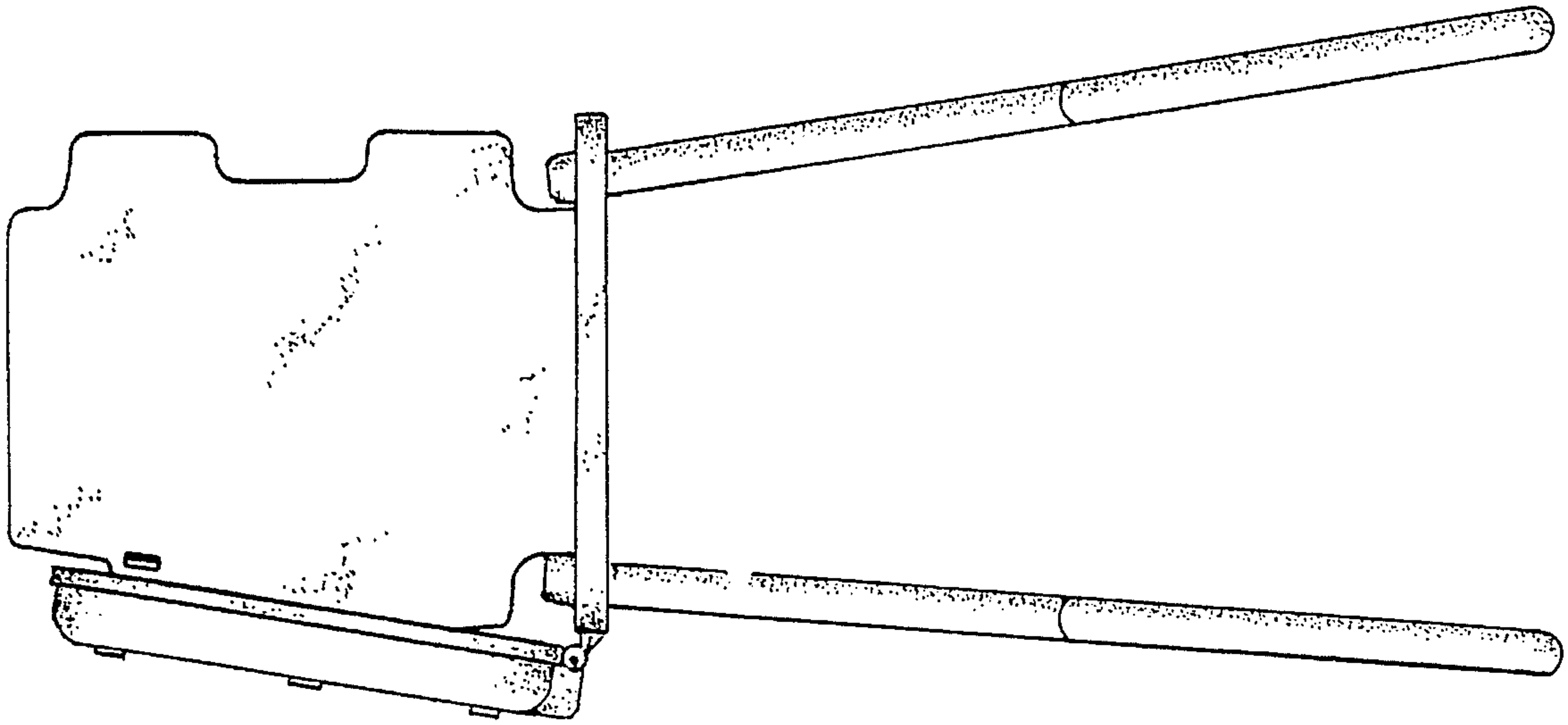


FIG. 3

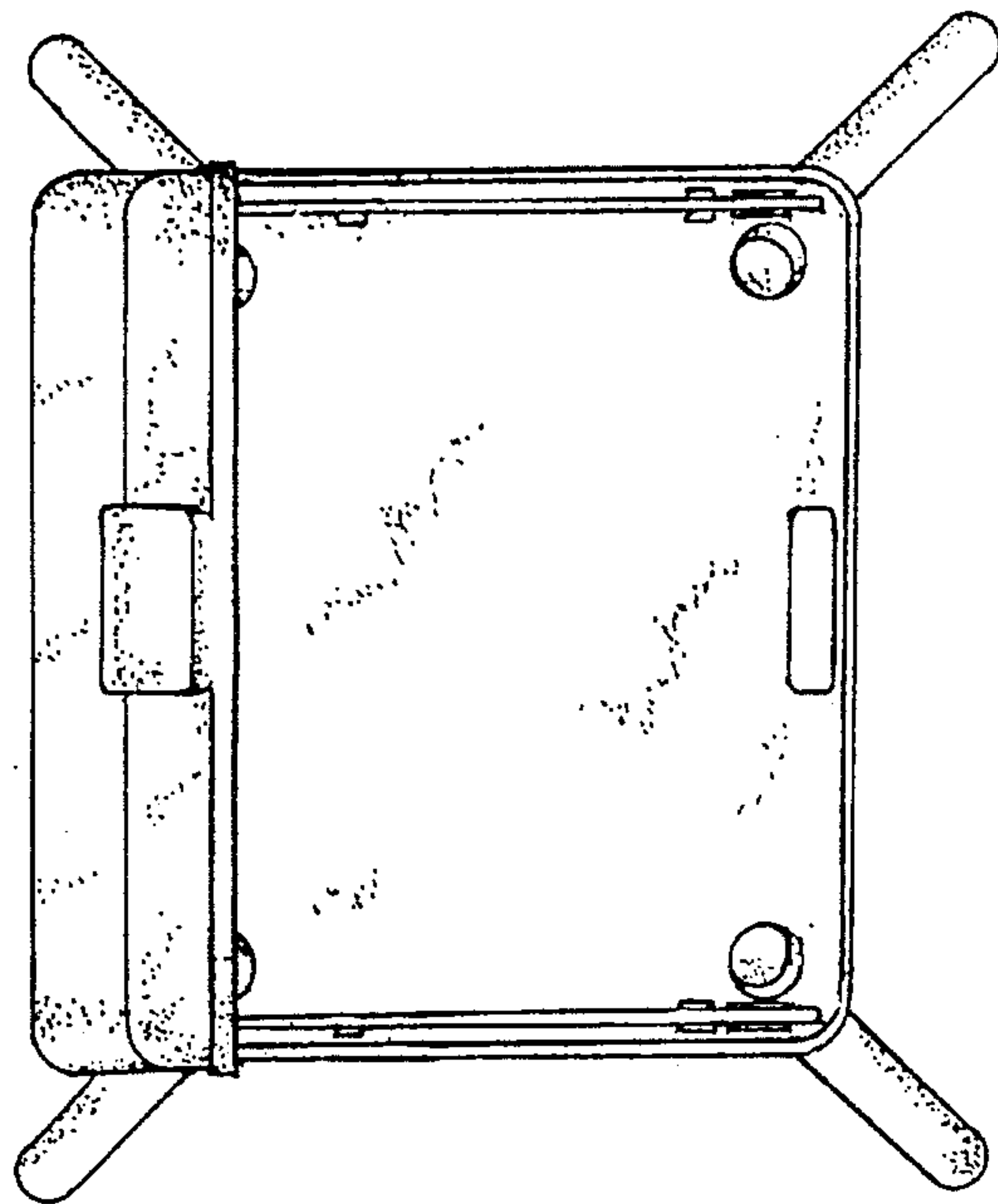


FIG. 2

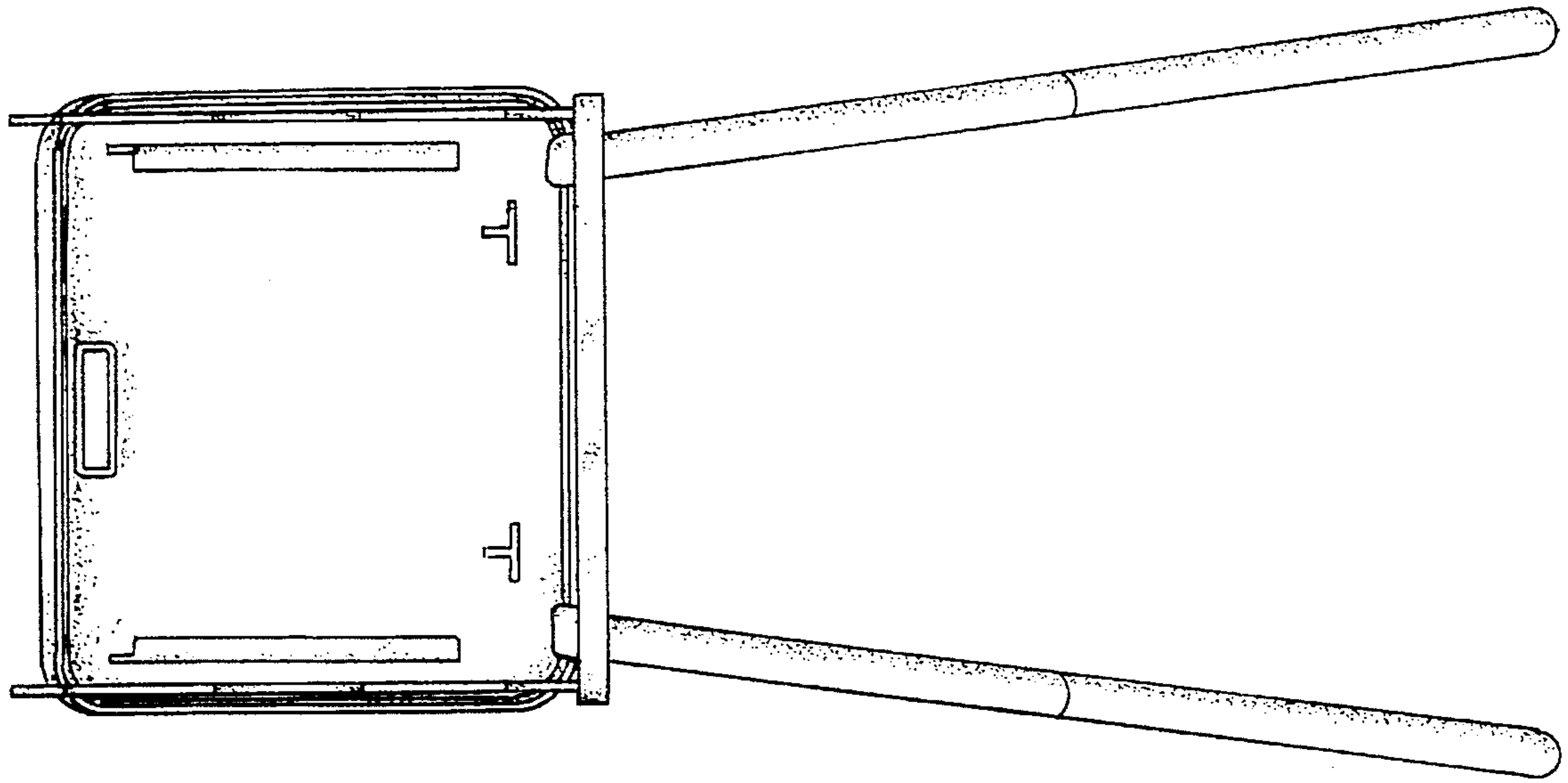


FIG. 5

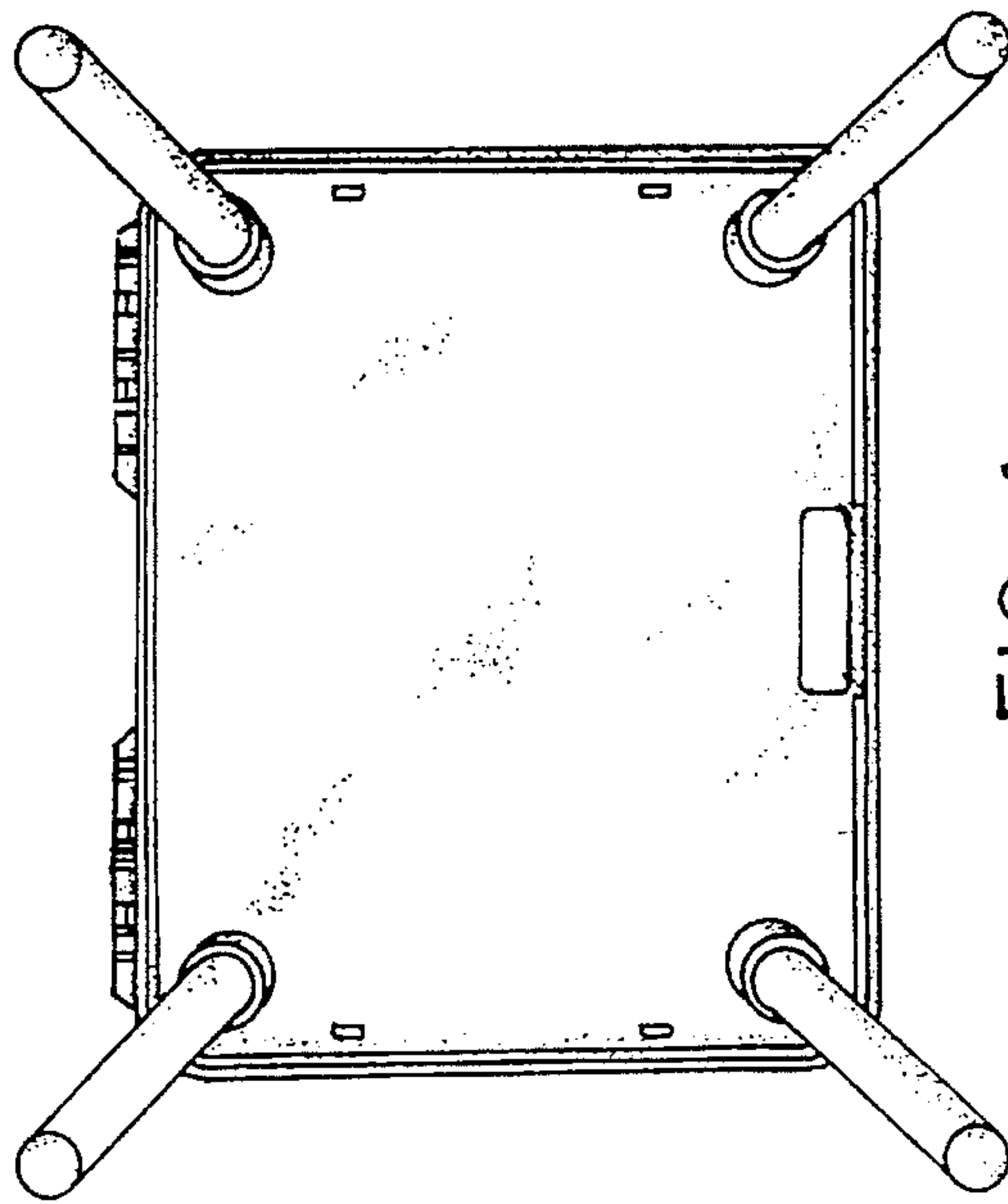


FIG. 4

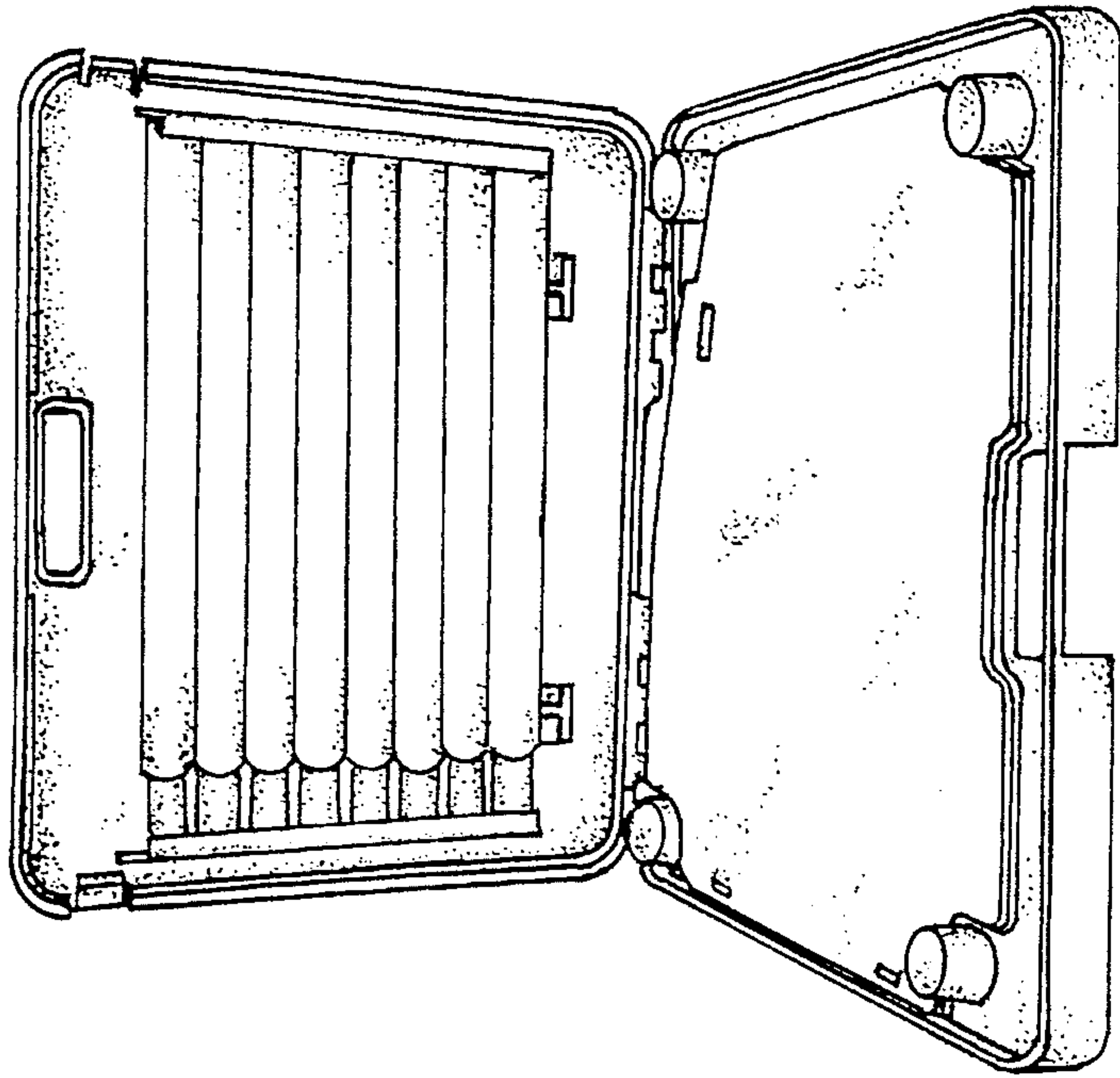


FIG. 8



FIG. 9

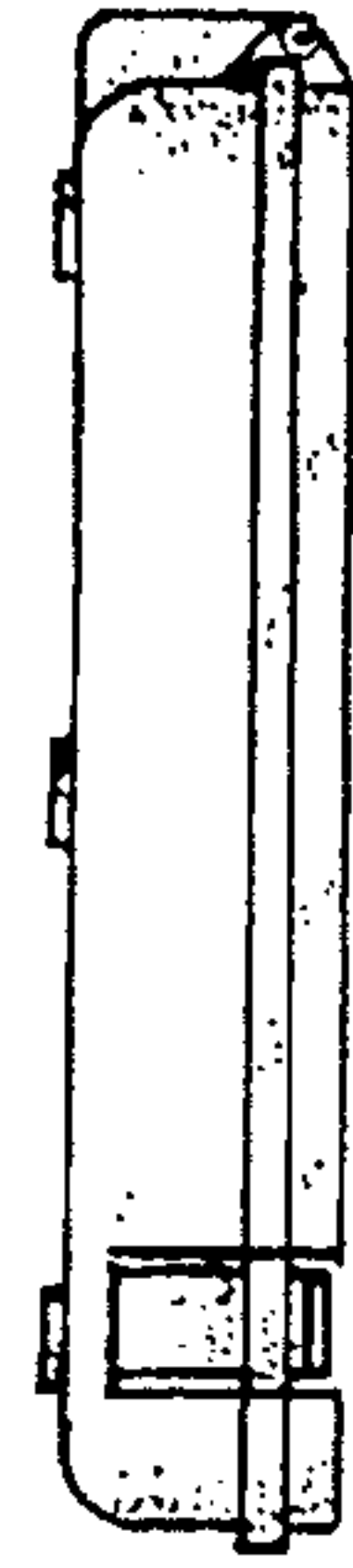


FIG. 10

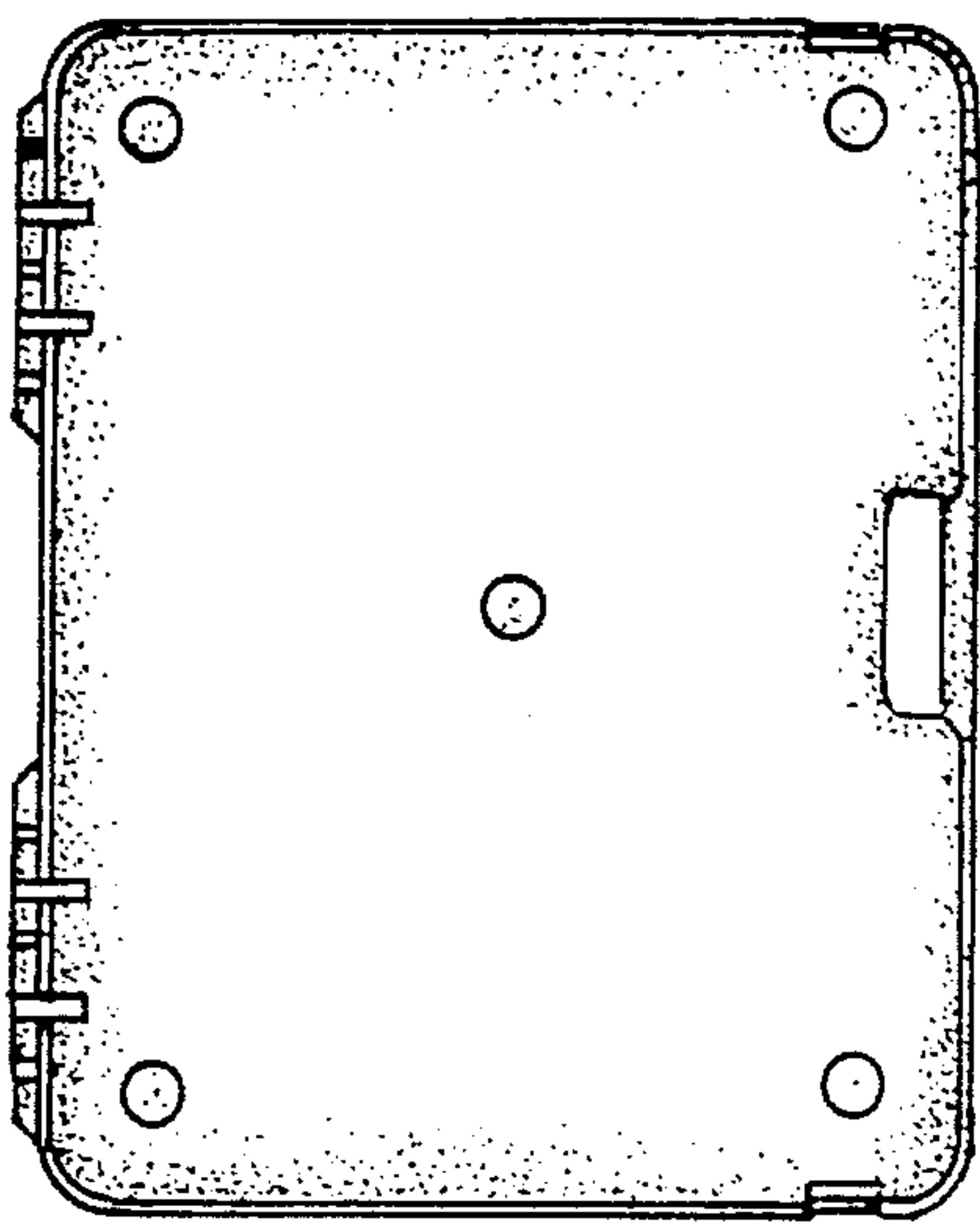


FIG. 6

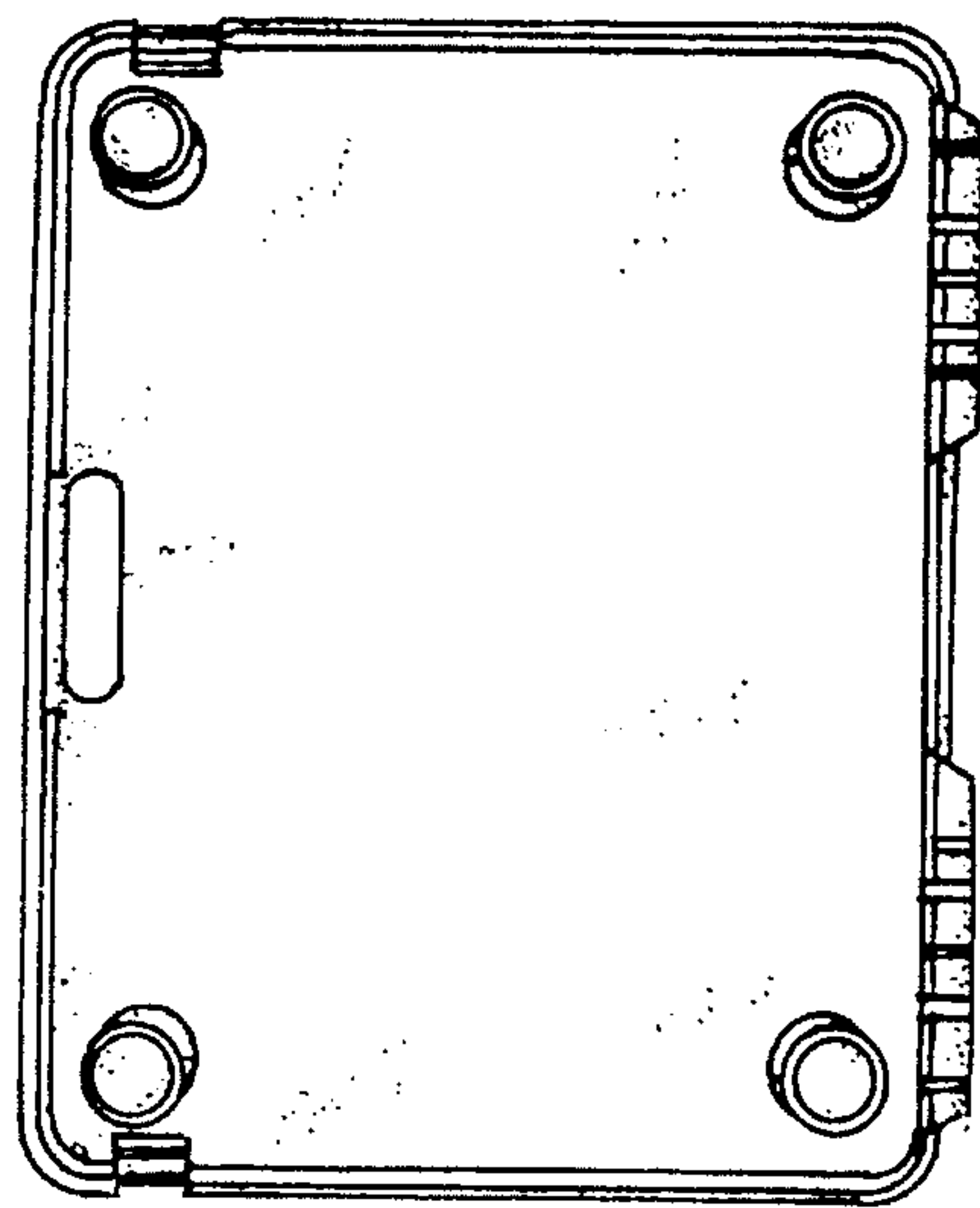


FIG. 7