



US00D378167S

# United States Patent [19]

Jones, Jr.

[11] Patent Number: **Des. 378,167**

[45] Date of Patent: **\*\*Feb. 25, 1997**

[54] **CLOTHES HANGER HOLDER**

[76] Inventor: **Burnia B. Jones, Jr.**, 230 W. Alabama, No. 313, Houston, Tex. 77006

[\*\*] Term: **14 Years**

[21] Appl. No.: **41,472**

[22] Filed: **Jul. 17, 1995**

[52] U.S. Cl. .... **D6/317; D3/315; D6/328; D8/370**

[58] Field of Search ..... **D6/328, 317; D3/201, D3/215; D8/300, 307, 315, 367, 370; 294/137, 142; 211/119; 248/303; 223/98, DIG. 4**

[56] **References Cited**

**U.S. PATENT DOCUMENTS**

D. 318,790	8/1991	Brooks	.....	D8/370
D. 330,290	10/1992	Edwards	.....	D8/370
D. 343,521	1/1994	Wigley, Sr.	.....	D6/328
3,578,226	5/1971	Good	.....	294/137
4,466,652	8/1984	Townsend	.....	294/142

4,824,156	4/1989	Greene	.....	294/137
4,856,688	8/1989	Ackmann	.....	294/142
5,029,921	7/1991	Houghton et al.	.....	294/137

Primary Examiner—**B. J. Bullock**  
Attorney, Agent, or Firm—**Kenneth A. Roddy**

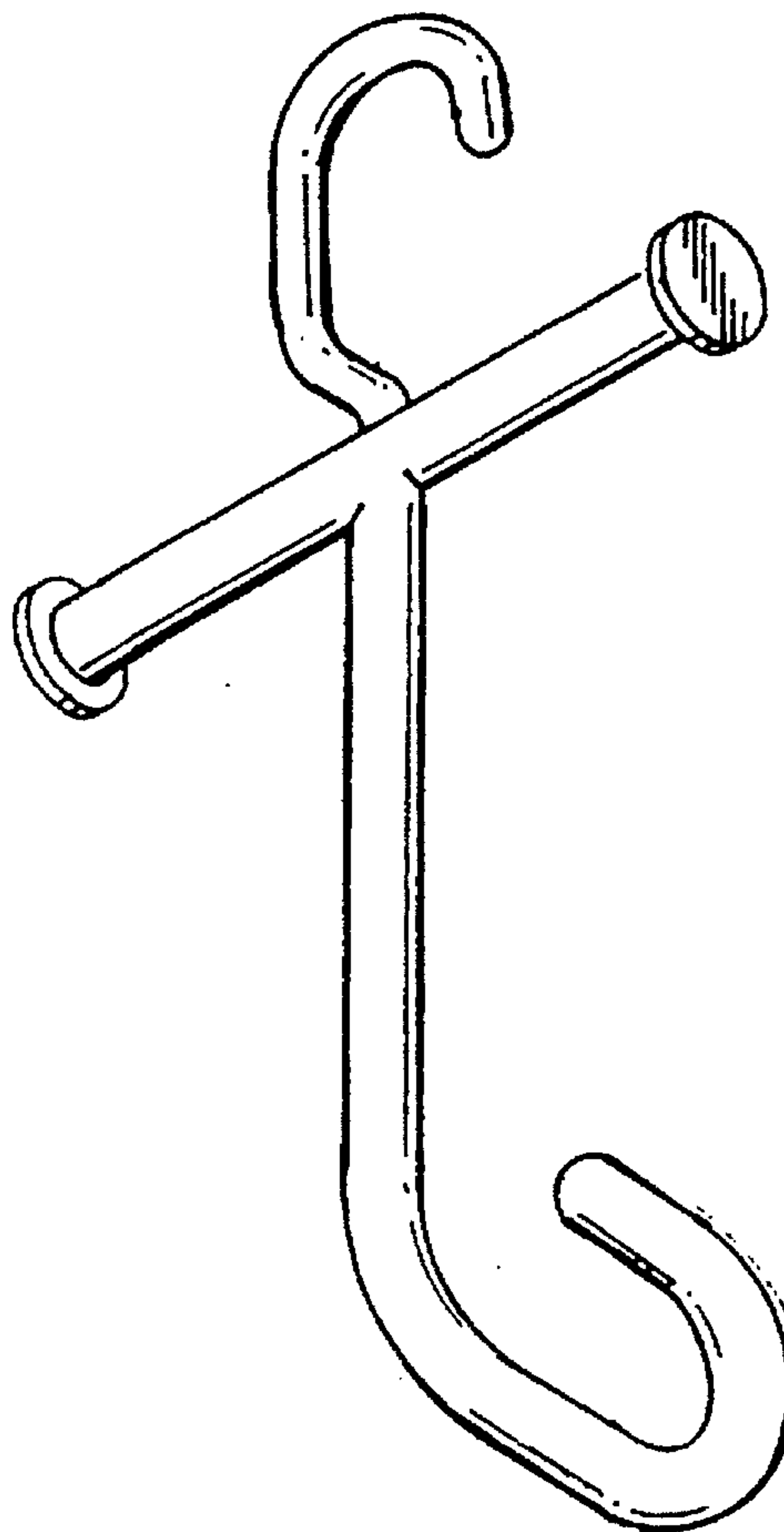
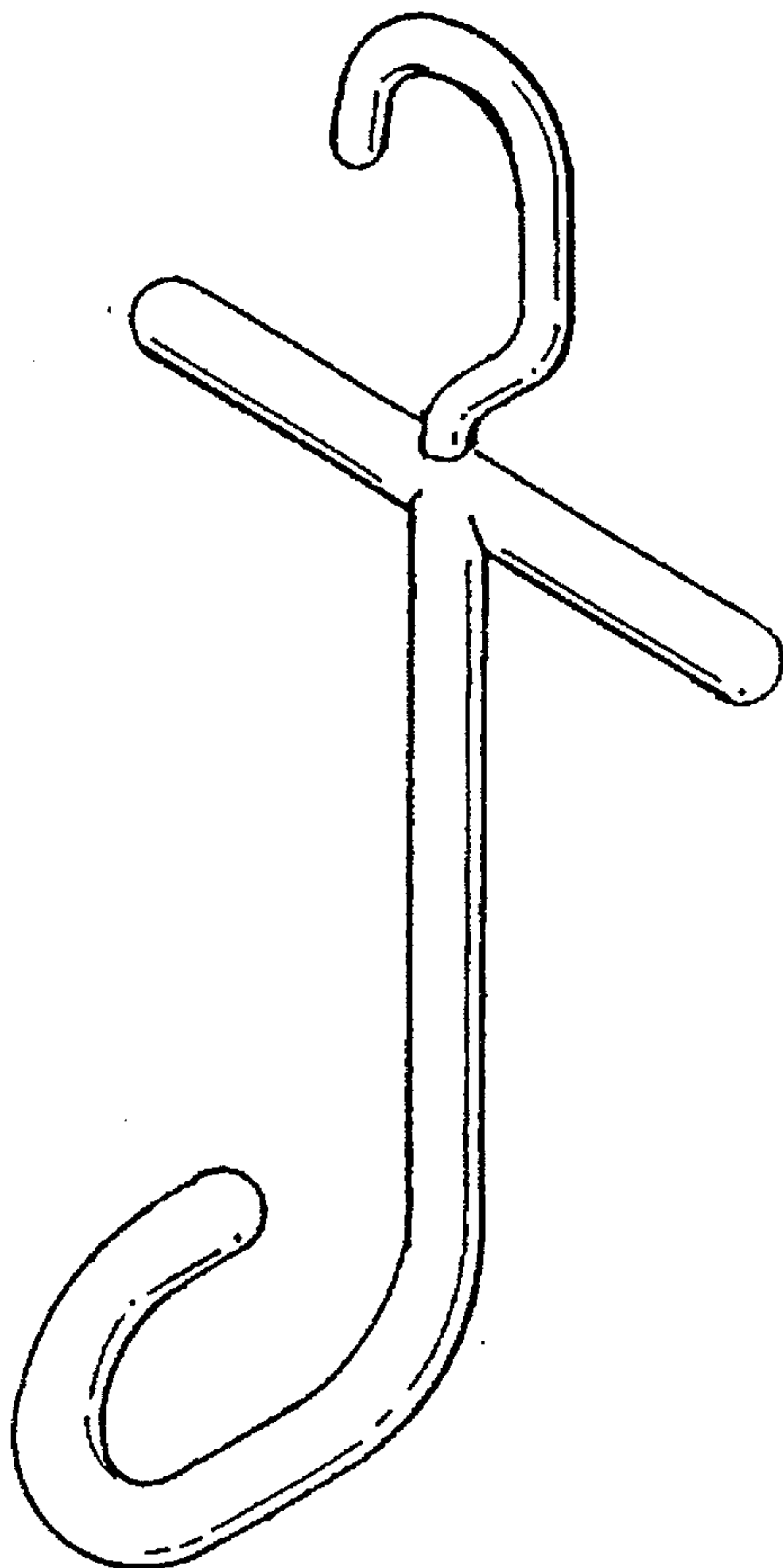
[57] **CLAIM**

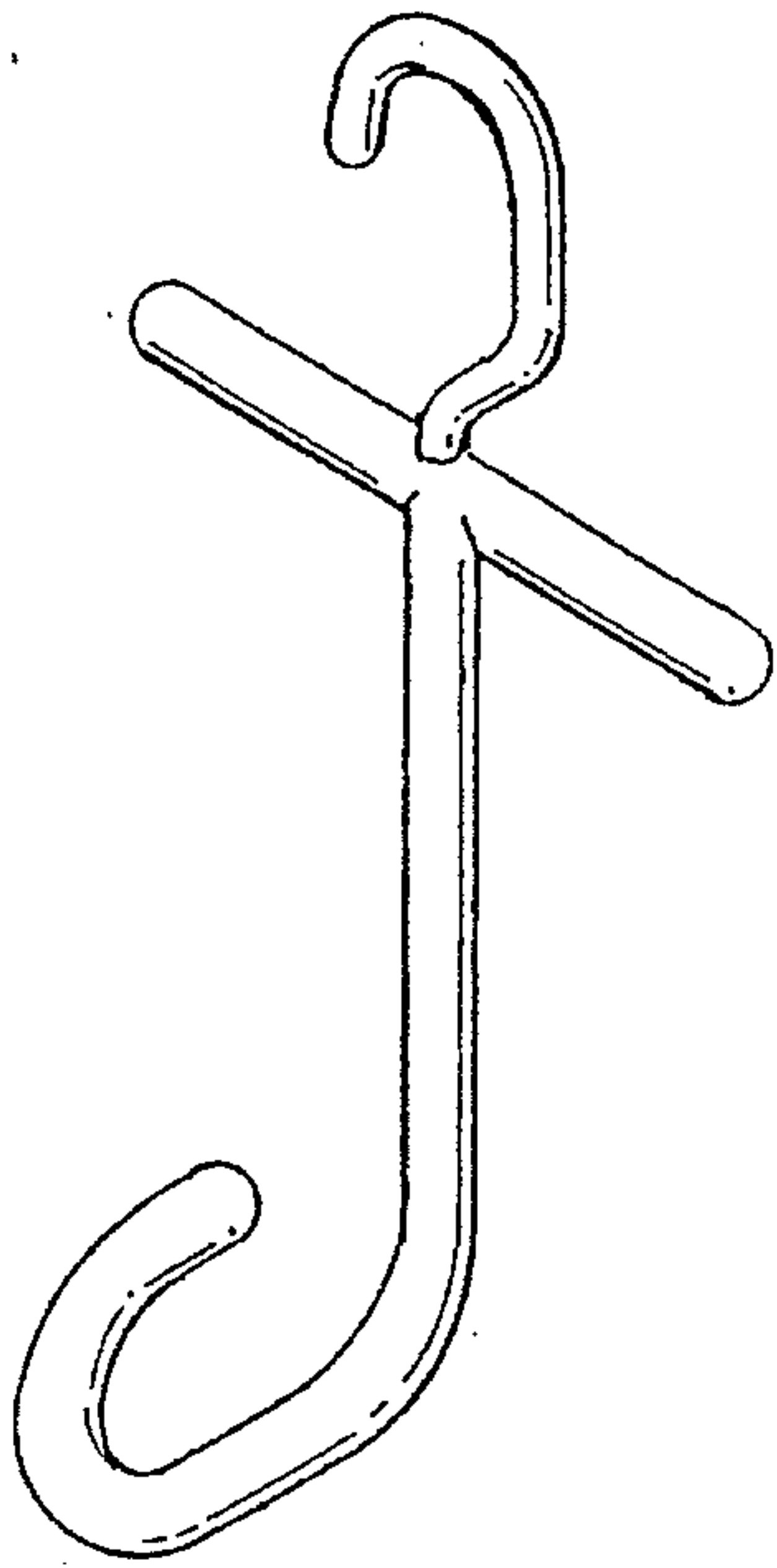
The ornamental design for a clothes hanger holder, as shown and described.

**DESCRIPTION**

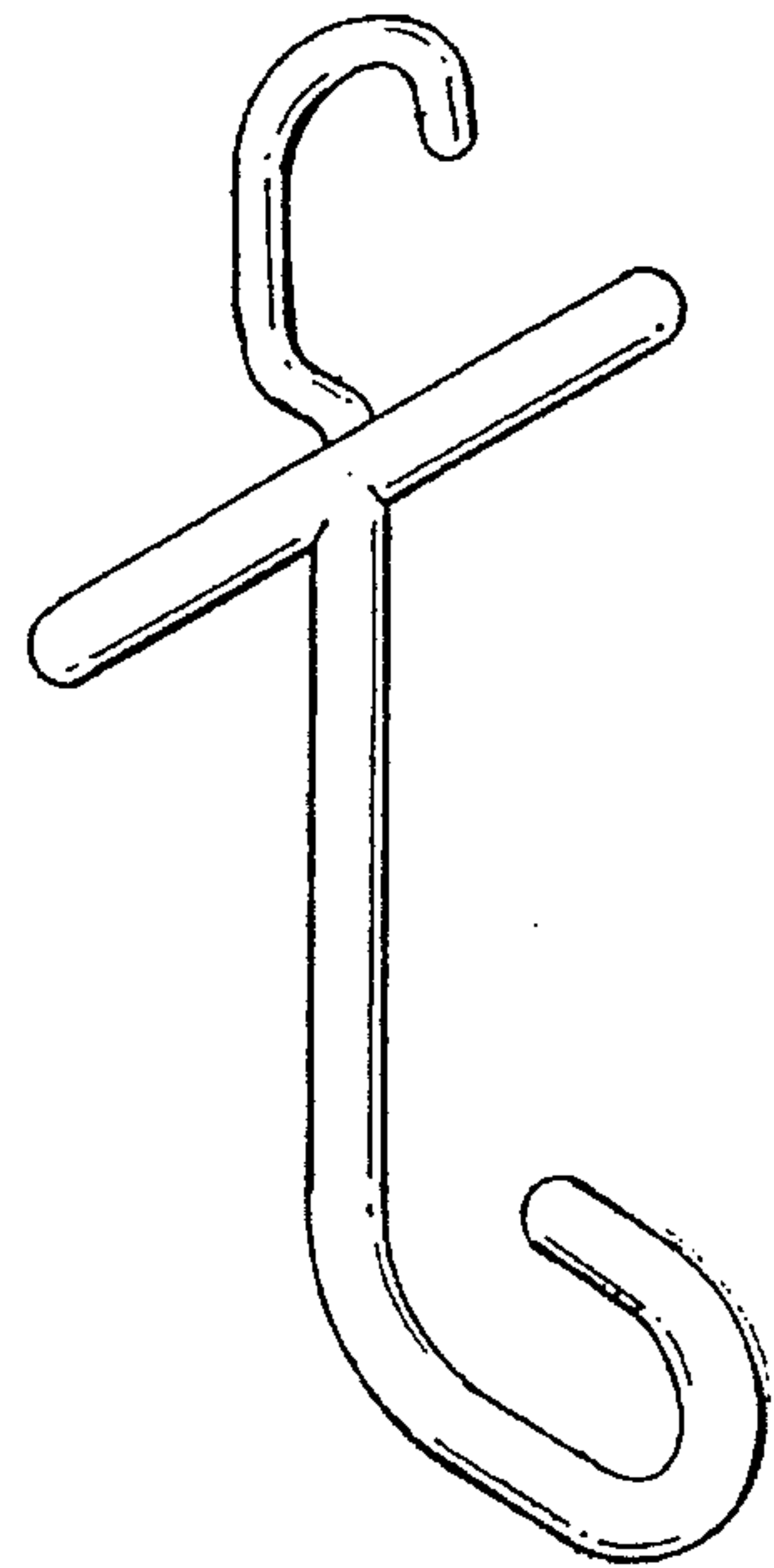
FIG. 1 is a perspective view of a first embodiment of a clothes hanger holder showing my new design from the top, front, and one side;  
FIG. 2 is a perspective view thereof showing my new design from the bottom, rear, and opposite side;  
FIG. 3 is a perspective view of a second embodiment of a clothes hanger holder showing my new design from the top, front, and one side; and,  
FIG. 4 is a perspective view thereof showing my new design from the bottom, rear, and opposite side.

**1 Claim, 1 Drawing Sheet**

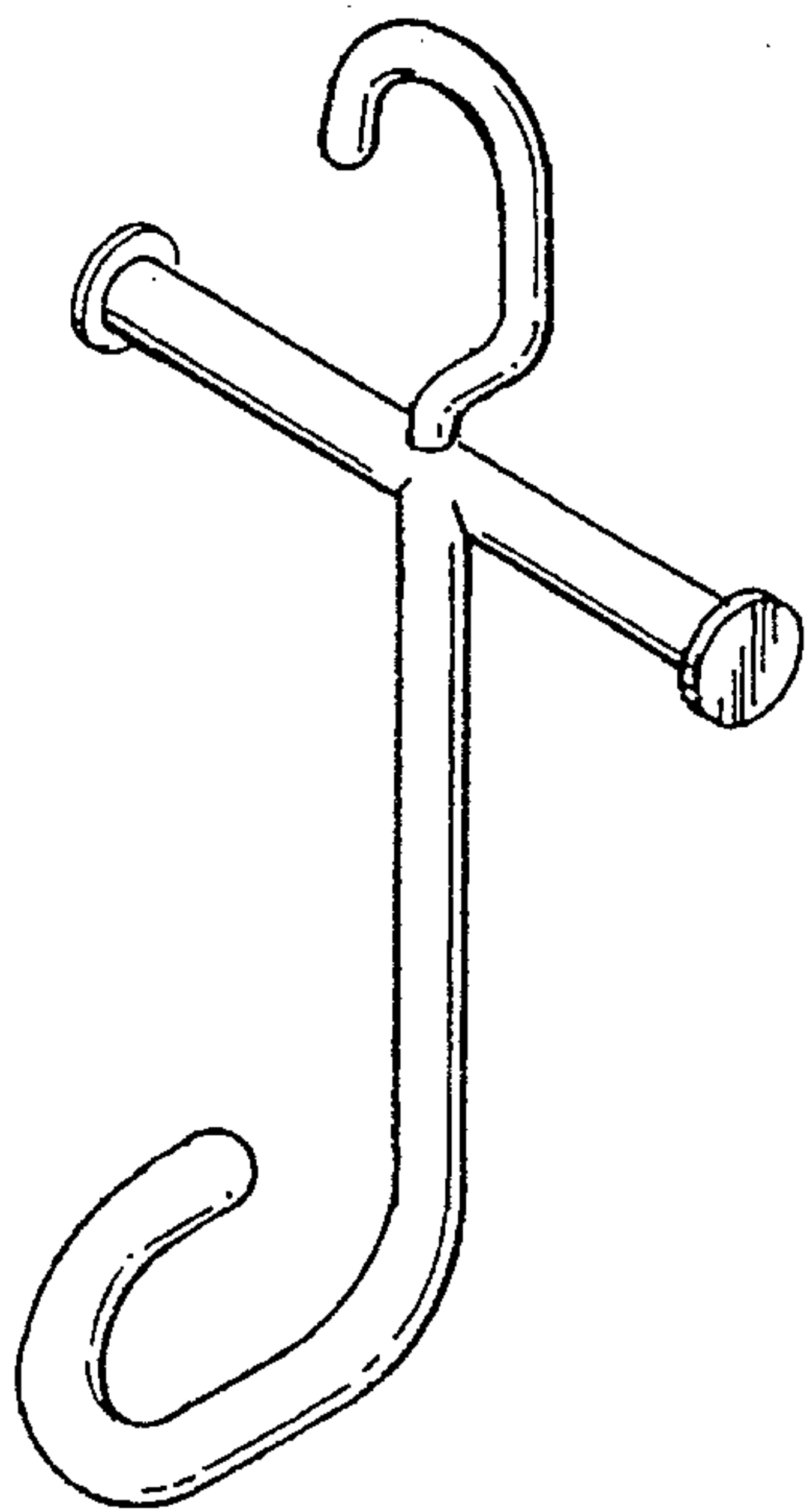




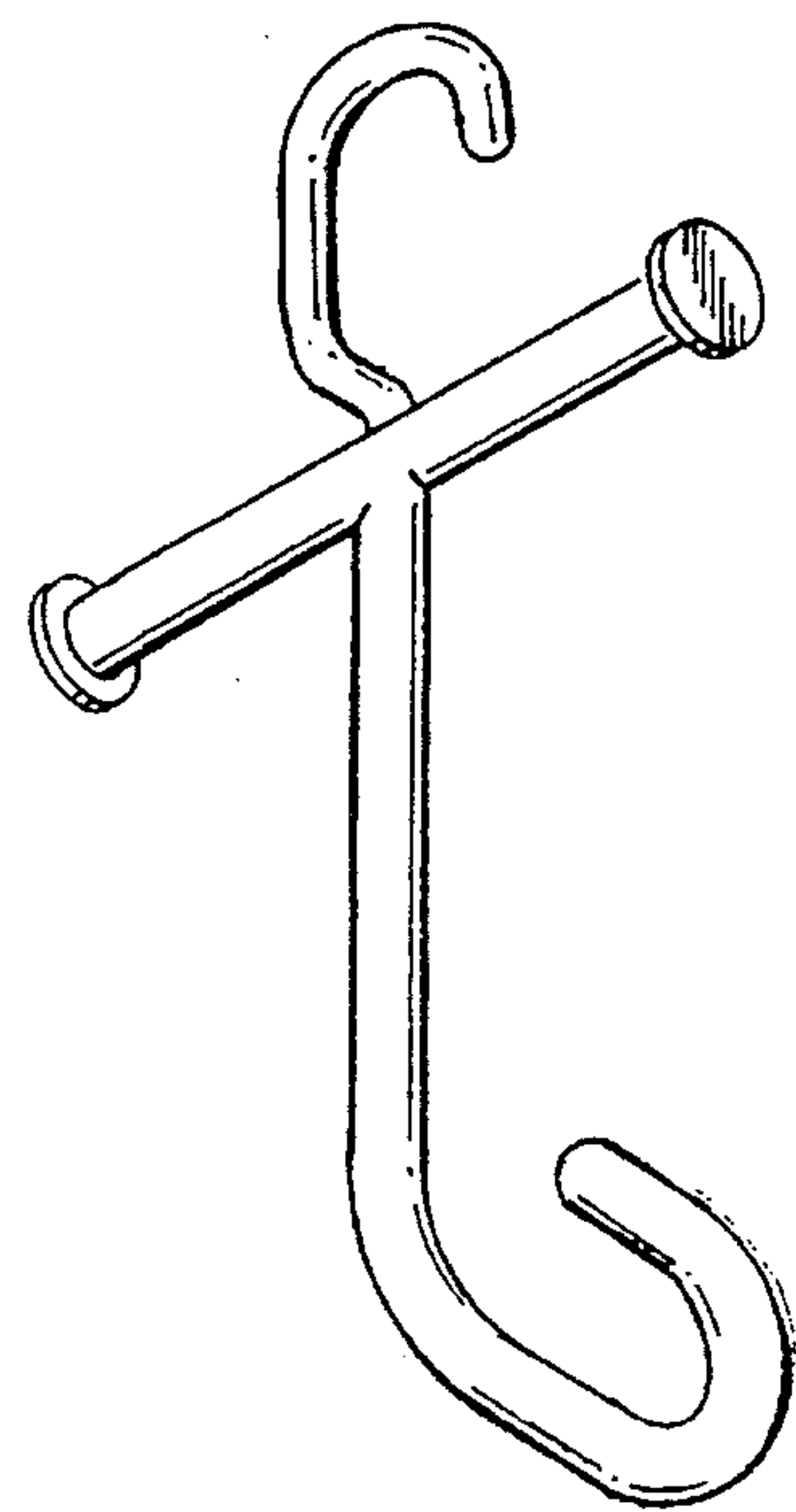
**fig. 1**



**fig. 2**



**fig. 3**



**fig. 4**