



US00D378164S

United States Patent [19]
Lee

[11] **Patent Number: Des. 378,164**

[45] **Date of Patent: **Feb. 25, 1997**

[54] **TOOL BOX**

[76] Inventor: **Li-hwa Lee**, 8th Fl., No. 101, Sec. 2,
Nanking E. Rd., Taipei, Taiwan

[**] Term: **14 Years**

[21] Appl. No.: **49,197**

[22] Filed: **Jan. 19, 1996**

[52] U.S. Cl. **D3/276; D3/294; D3/905**

[58] Field of Search **D3/273, 274, 281,
D3/284, 294, 905; 190/110, 111, 112, 113,
114, 115; 206/349, 372, 373**

[56] **References Cited**

U.S. PATENT DOCUMENTS

D. 286,466	11/1986	King et al.	D3/281
D. 296,153	6/1988	Reichow	D3/284
D. 330,162	10/1992	Verchere	D9/424
D. 351,502	10/1994	Weir et al.	D3/273
722,317	3/1903	Moody	190/112

OTHER PUBLICATIONS

Jensen Tools Catalog, 1993-94, pp. 23, 27, 28, 76 and 77,
Tool Boxes & Cases.

Primary Examiner—Philip S. Hyder
Attorney, Agent, or Firm—Morton J. Rosenberg; David I.
Klein

[57] **CLAIM**

The ornamental design for a tool box, as shown and
described.

DESCRIPTION

FIG. 1 is a front-right-top perspective view of a tool box
showing my new design;

FIG. 2 is a front view thereof;

FIG. 3 is a rear view thereof;

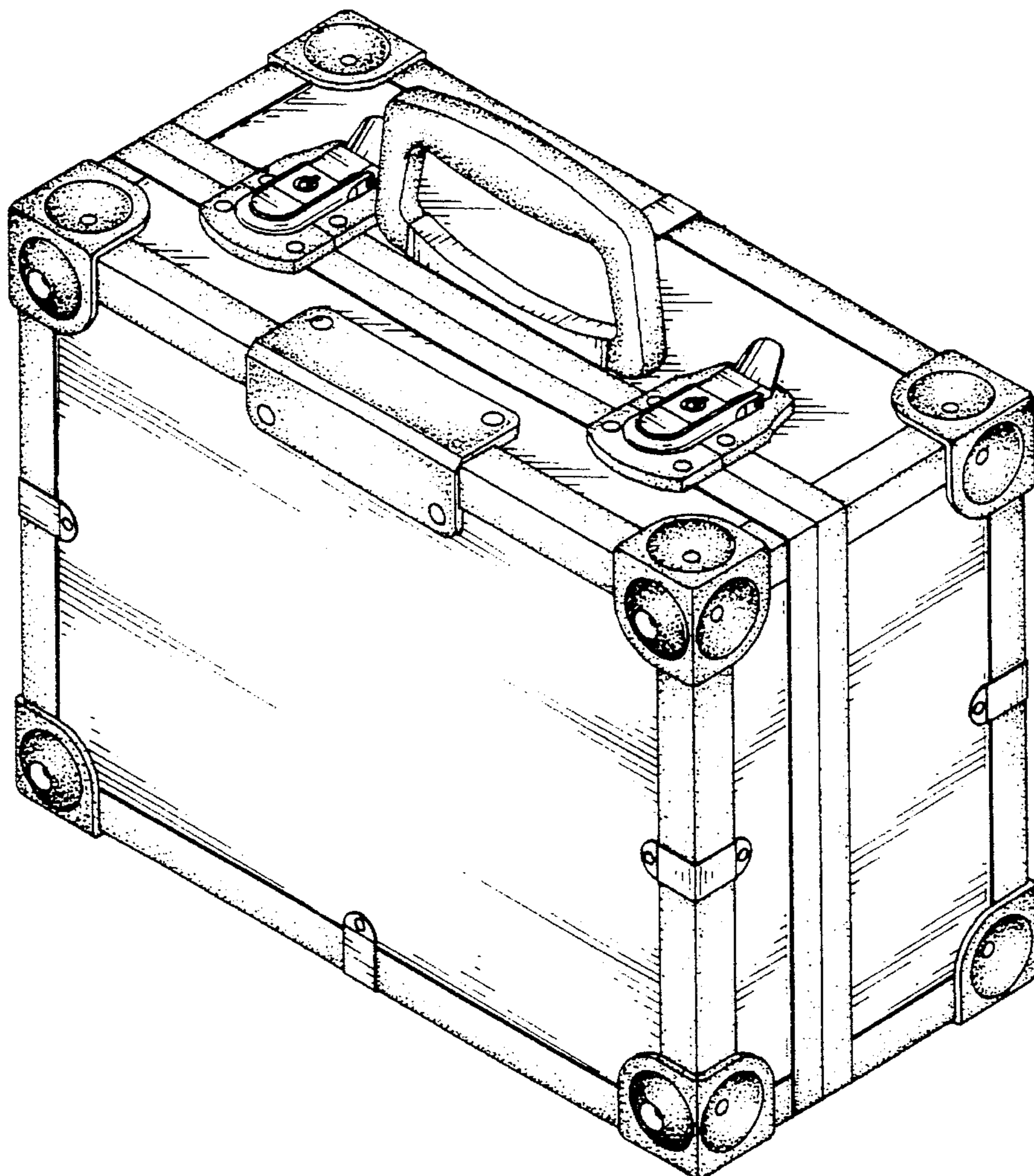
FIG. 4 is a left side view thereof;

FIG. 5 is a right side view thereof;

FIG. 6 is a top view thereof; and,

FIG. 7 is a bottom view thereof.

1 Claim, 4 Drawing Sheets



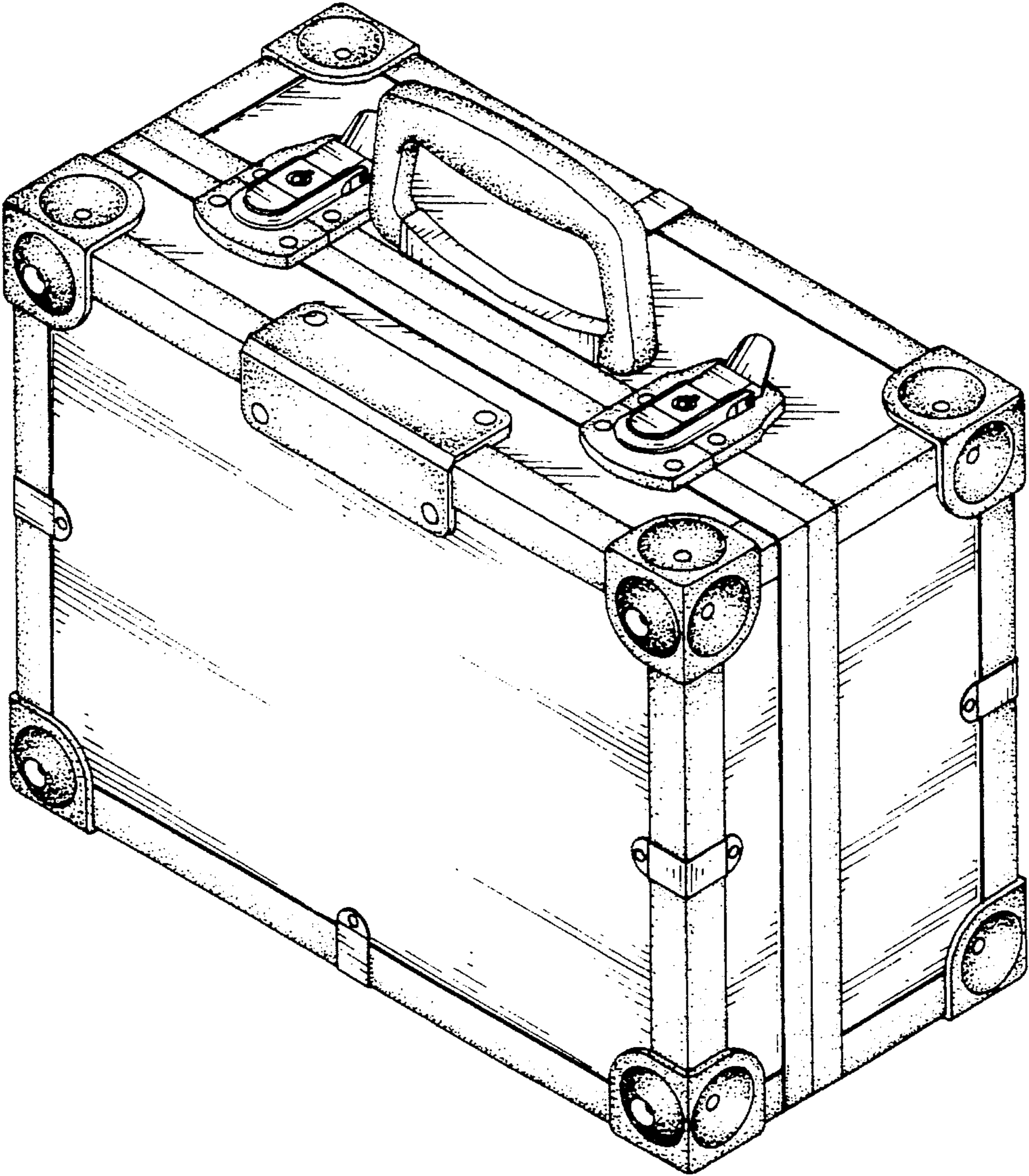


Fig. 1

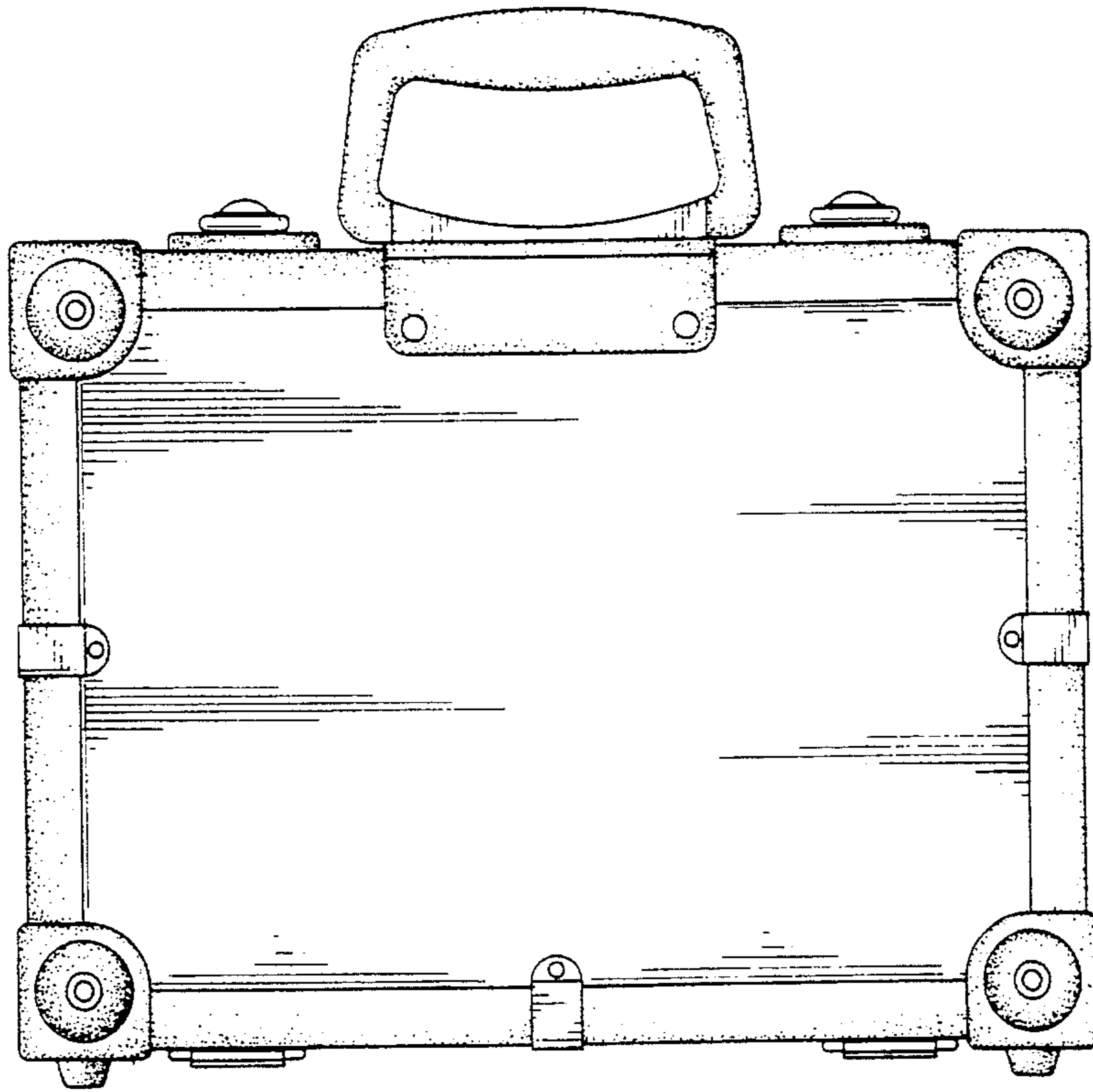


Fig.2

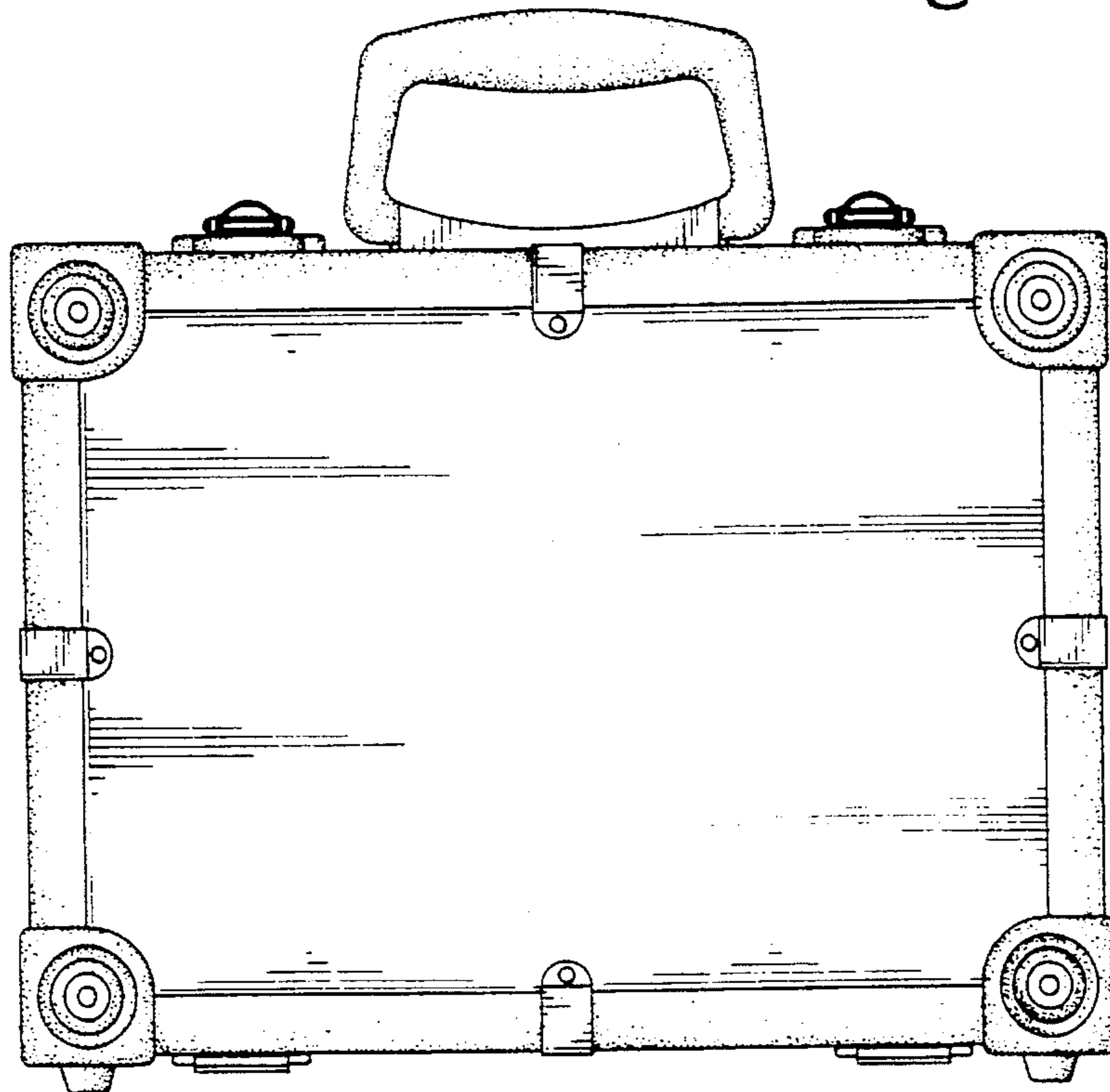


Fig.3

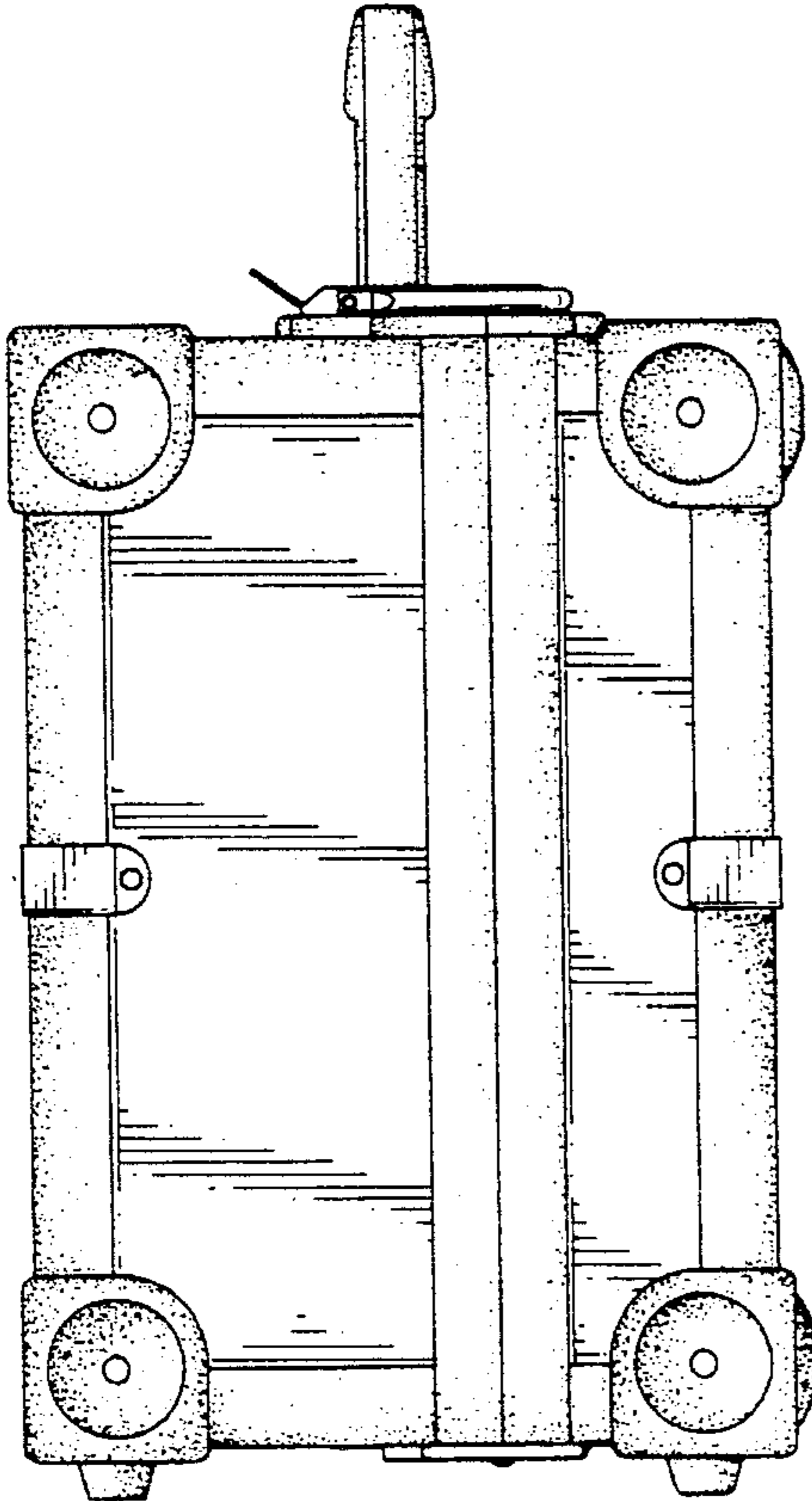


Fig.4

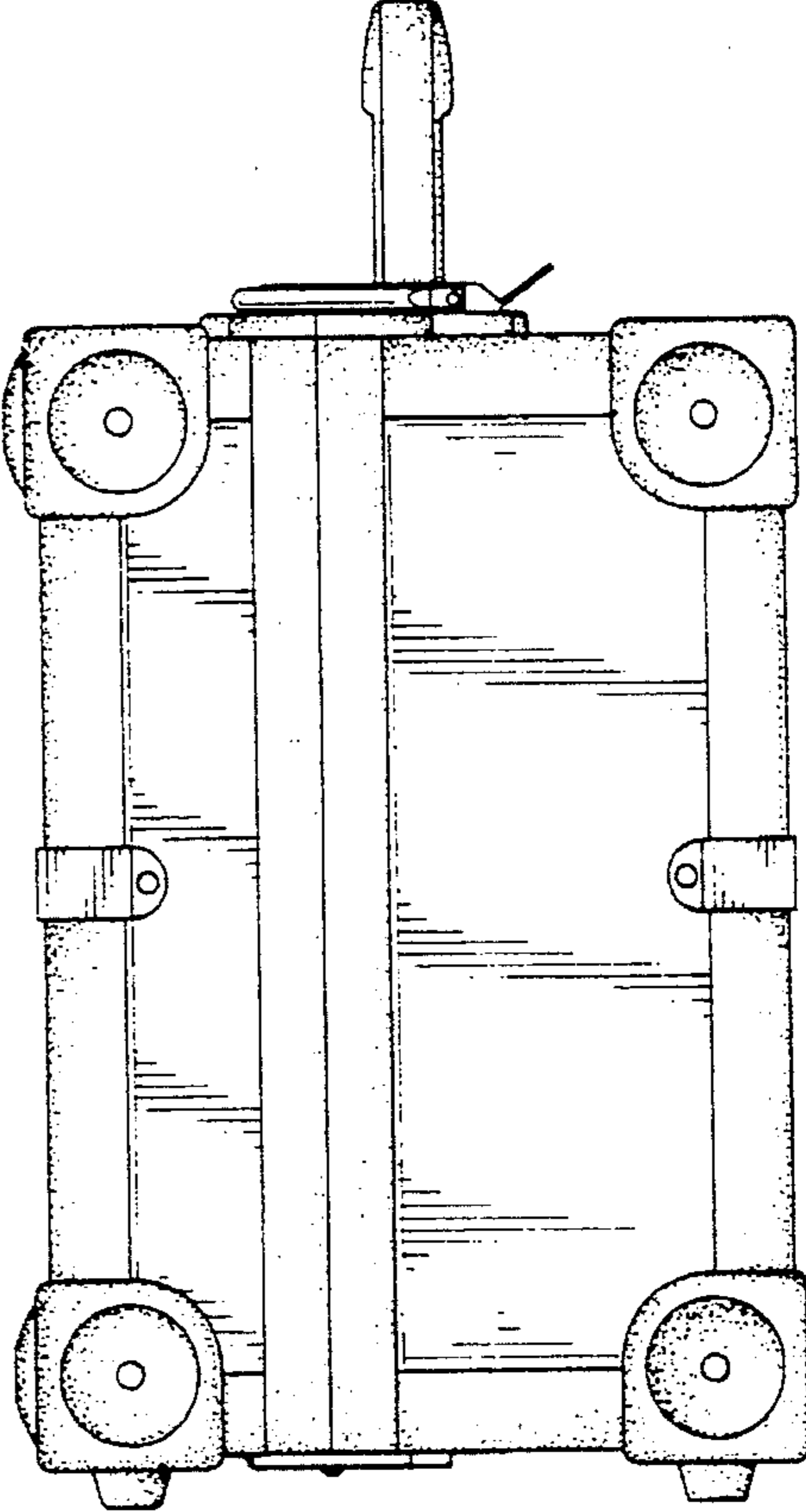


Fig.5

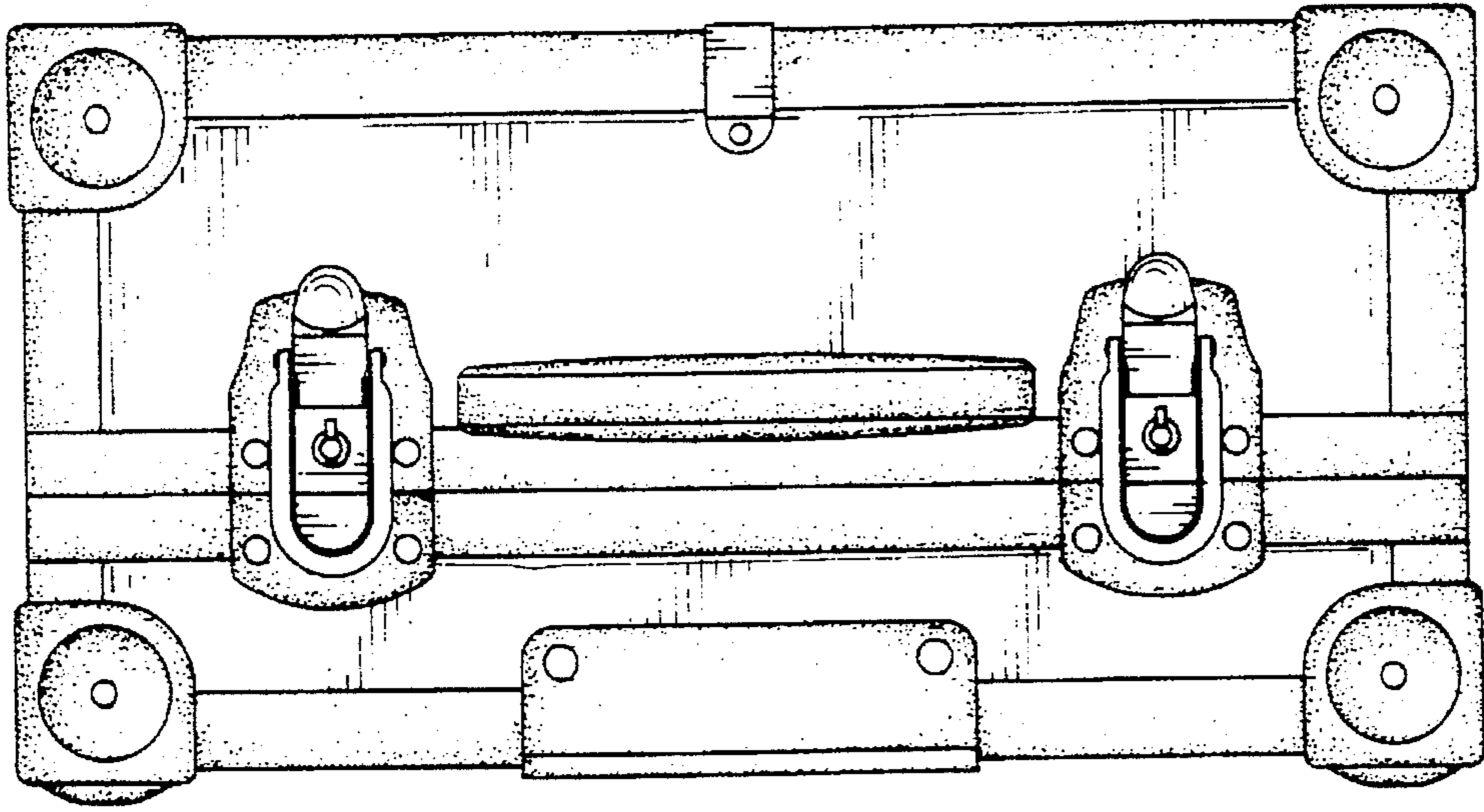


Fig. 6

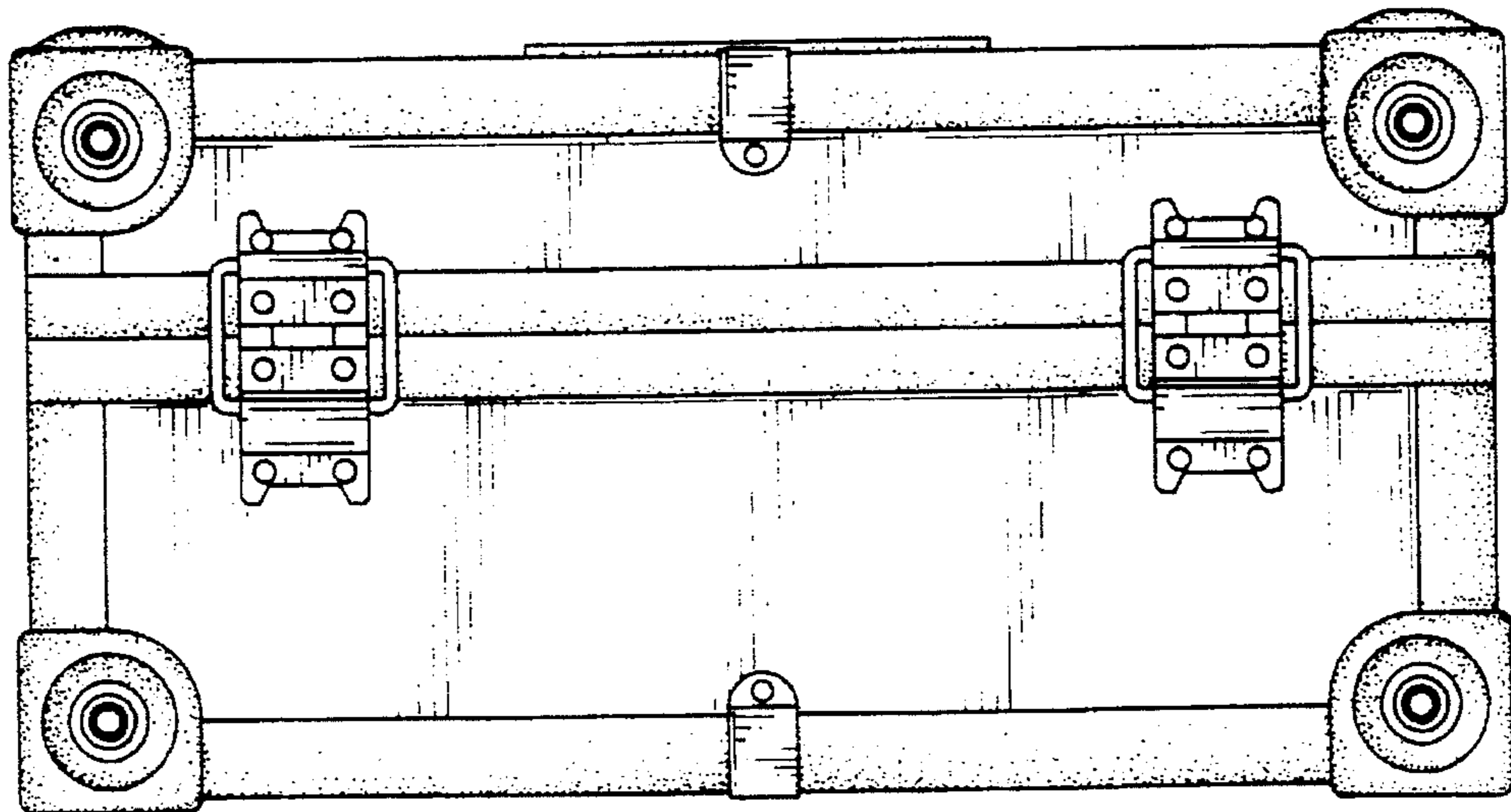


Fig. 7