



US00D378163S

United States Patent [19]
Clissold

[11] **Patent Number: Des. 378,163**

[45] **Date of Patent: **Feb. 25, 1997**

[54] **VIDEO CHEST PACK**

5,462,214 10/1995 Buswell 224/980 X

[76] Inventor: **Joanne L. Clissold**, Box 1906 Banff,
Alta, Canada, T0L 0C0

Primary Examiner—Doris V. Coles
Assistant Examiner—Catherine R. Oliver
Attorney, Agent, or Firm—Learman & McCulloch

[**] Term: **14 Years**

[57] **CLAIM**

[21] Appl. No.: **45,800**

The ornamental design for a video chest pack, as shown and described.

[22] Filed: **Oct. 30, 1995**

[52] U.S. Cl. **D3/218**

[58] Field of Search D3/218; 224/160,
224/606, 623, 660, 908, 262, 215

DESCRIPTION

FIG. 1 is a front elevational view of the video chest pack showing my new design;
FIG. 2 is a rear elevational view thereof;
FIG. 3 is a right side elevational view thereof;
FIG. 4 is a left side elevational view thereof;
FIG. 5 is a top plan view thereof; and,
FIG. 6 is a bottom plan view.

[56] **References Cited**

U.S. PATENT DOCUMENTS

4,298,149	11/1981	Gottschalk et al.	224/908 X
4,976,387	12/1990	Spianti	224/980 X
5,323,942	6/1994	Dahan	224/908 X
5,440,761	8/1995	Abrams et al.	224/980 X

1 Claim, 4 Drawing Sheets

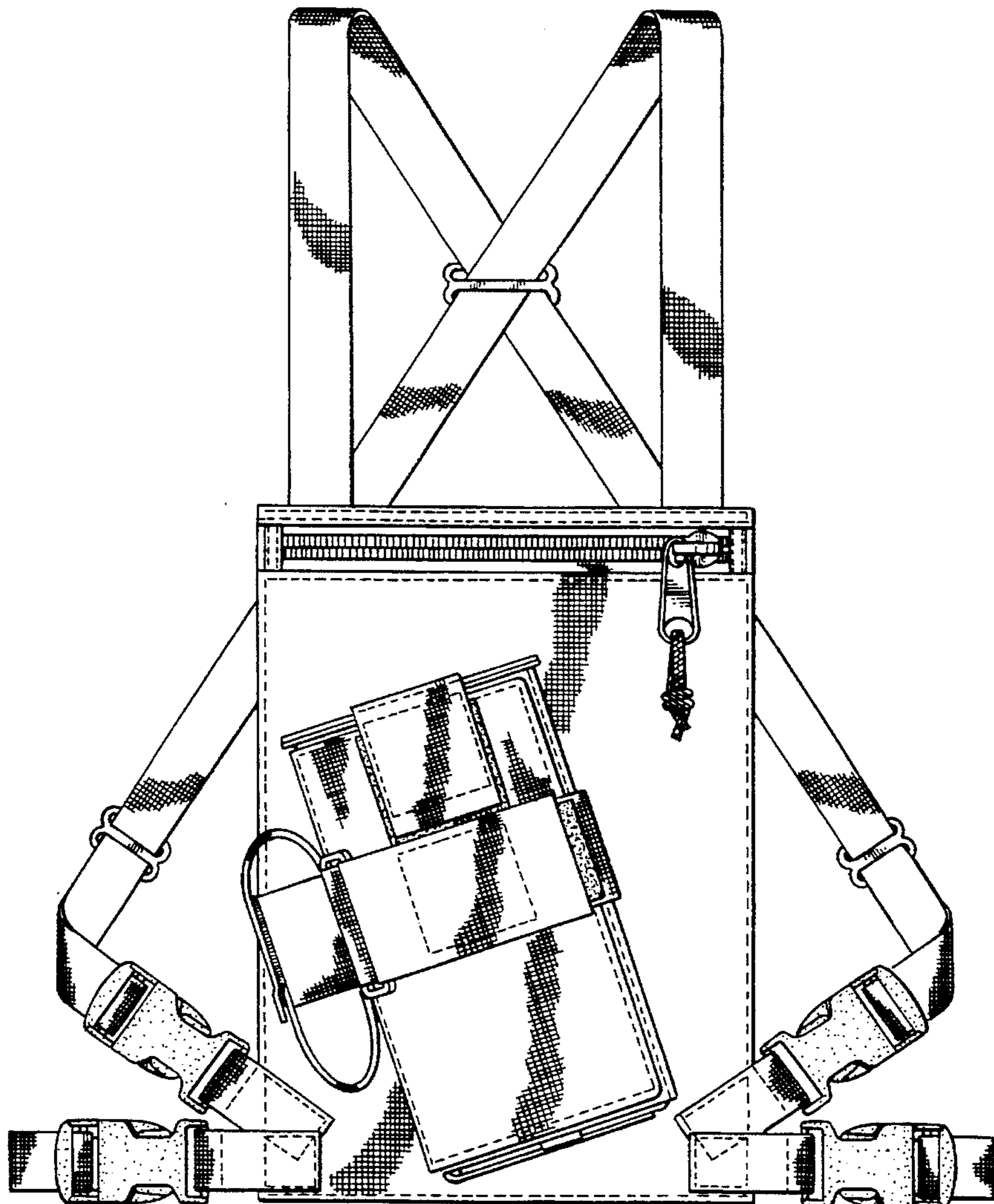


FIG-1

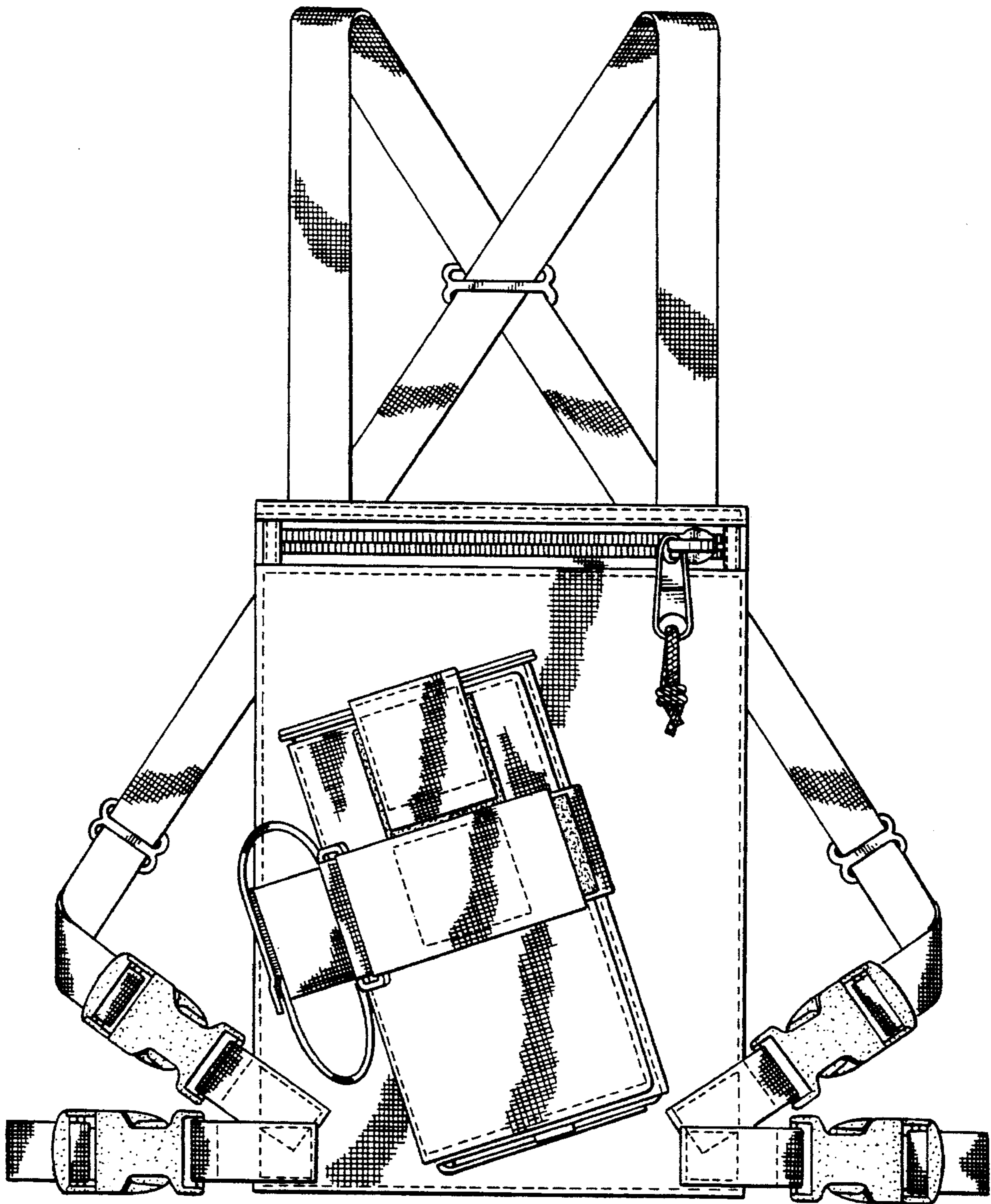
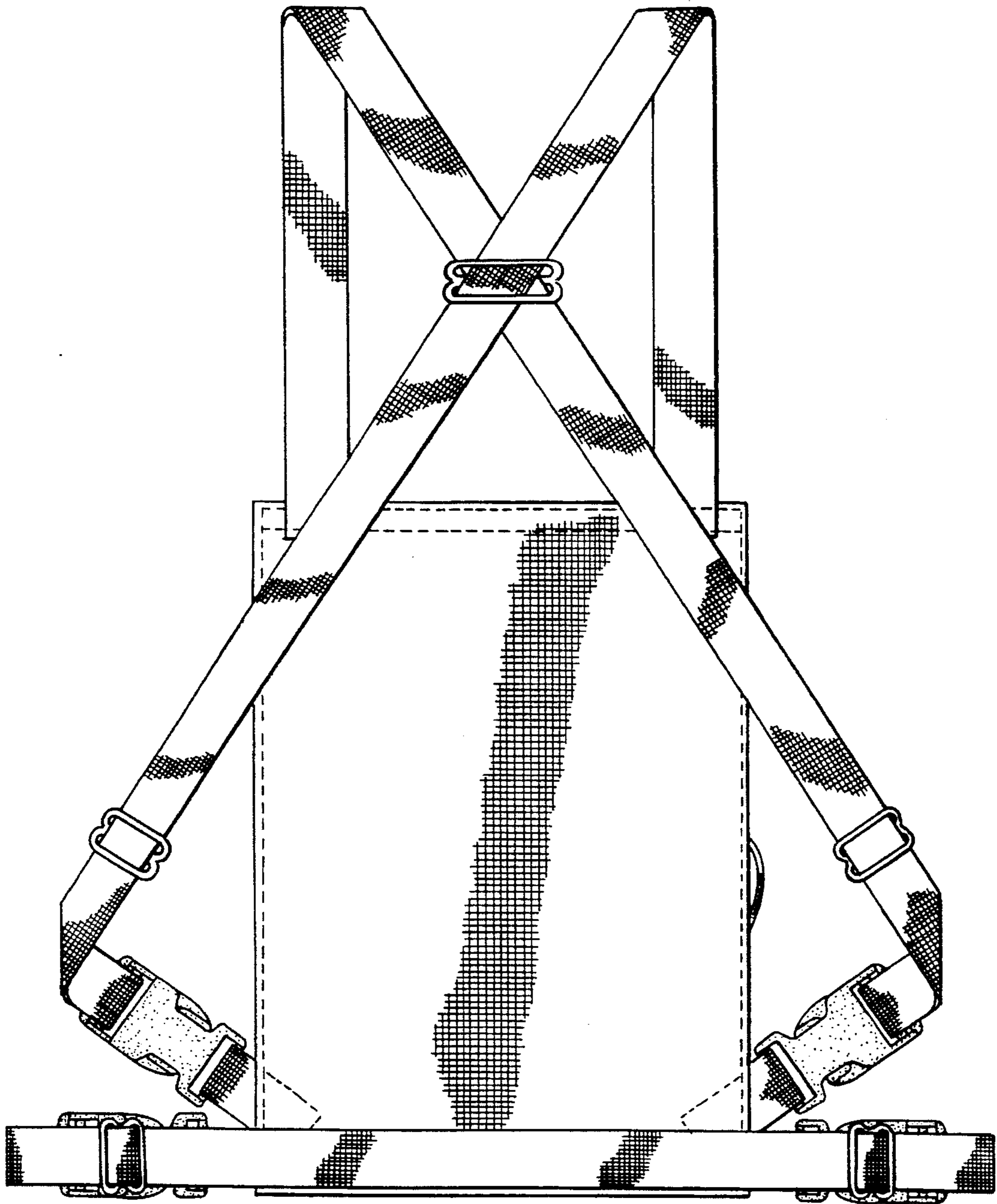


FIG-2



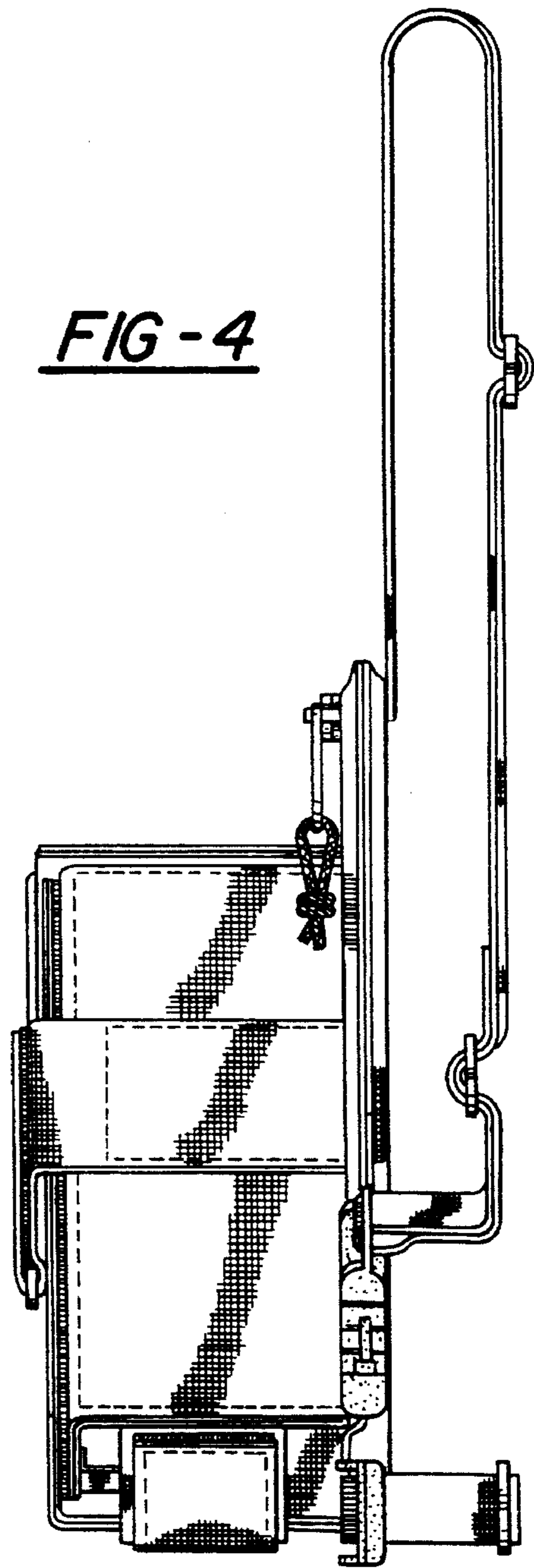
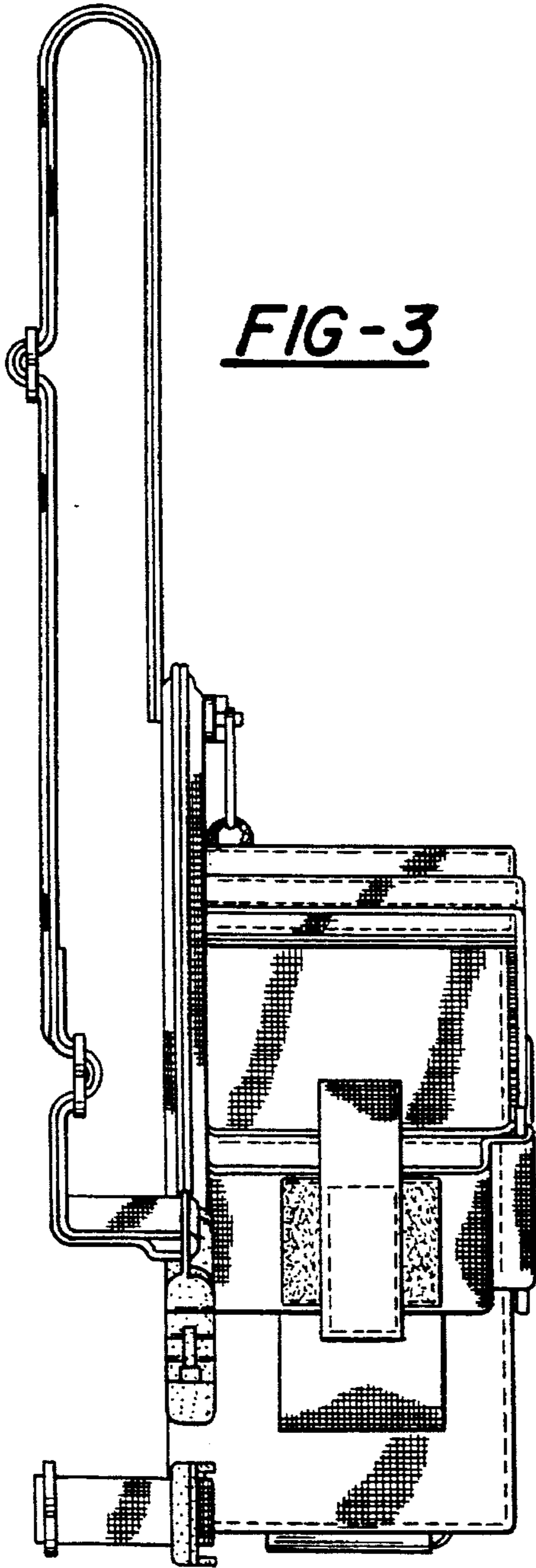


FIG-5

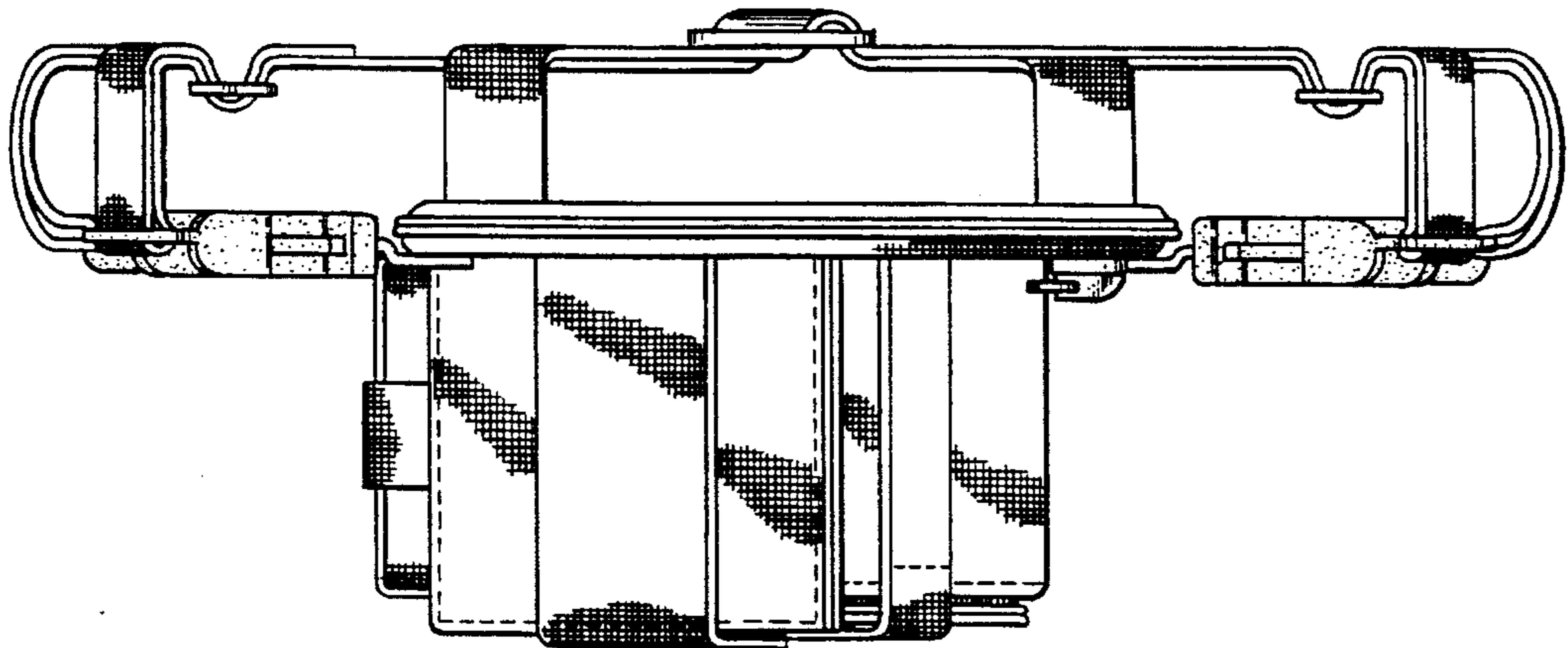


FIG-6

