



US00D378162S

United States Patent [19]
Chewick

[11] **Patent Number: Des. 378,162**
[45] **Date of Patent: **Feb. 25, 1997**

[54] **HOLDER FOR A SOCK**

[76] Inventor: **Shirley Chewick**, 125 Russell Ave.,
Ottawa, Ontario, Canada, K1N 7X2

[**] Term: **14 Years**

[21] Appl. No.: **49,052**

[22] Filed: **Jan. 16, 1996**

[52] **U.S. Cl.** **D2/980; D99/43**

[58] **Field of Search** **D2/980, 993; 2/239,**
2/240; 24/3.1, 11 F, 3.13, 590, 591; D99/34,
35, 43; 248/99, 315

[56] **References Cited**

U.S. PATENT DOCUMENTS

| | | | |
|------------|---------|--------------------|----------|
| D. 39,217 | 3/1908 | Eigren | D99/35 |
| D. 135,063 | 2/1943 | Misley . | |
| 136,151 | 2/1873 | Giladdings | 24/591 |
| D. 149,050 | 3/1948 | Donohue . | |
| 186,398 | 1/1877 | Krauser . | |
| D. 263,089 | 2/1982 | Reaves et al. | D99/34 |
| D. 341,017 | 11/1993 | Abe | D99/43 |
| 1,293,137 | 2/1919 | McAdoo | 24/3.1 X |
| 5,357,660 | 10/1994 | Smith | 2/239 X |
| 5,414,906 | 5/1995 | Kren | 24/3.1 X |

FOREIGN PATENT DOCUMENTS

56147 4/1986 Canada .

OTHER PUBLICATIONS

Hosiery and Underwear Review, Jan./1958, p. 43.

Women's Wear Daily, Oct. 1981, Bonnie Doon Advertisement, p. 2 Boot and Shoe Recorder, Jun. 1995, p. 45.

Primary Examiner—Paula A. Mortimer
Attorney, Agent, or Firm—Dressler, Goldsmith, Milnamow & Katz, Ltd.

[57] **CLAIM**

The ornamental design for a holder for a sock, as shown and described.

DESCRIPTION

FIG. 1 is a front perspective view of a holder for a sock showing my new design, the broken line showing of the sock and handle is for illustrative purposes only and forms no part of the claimed design;

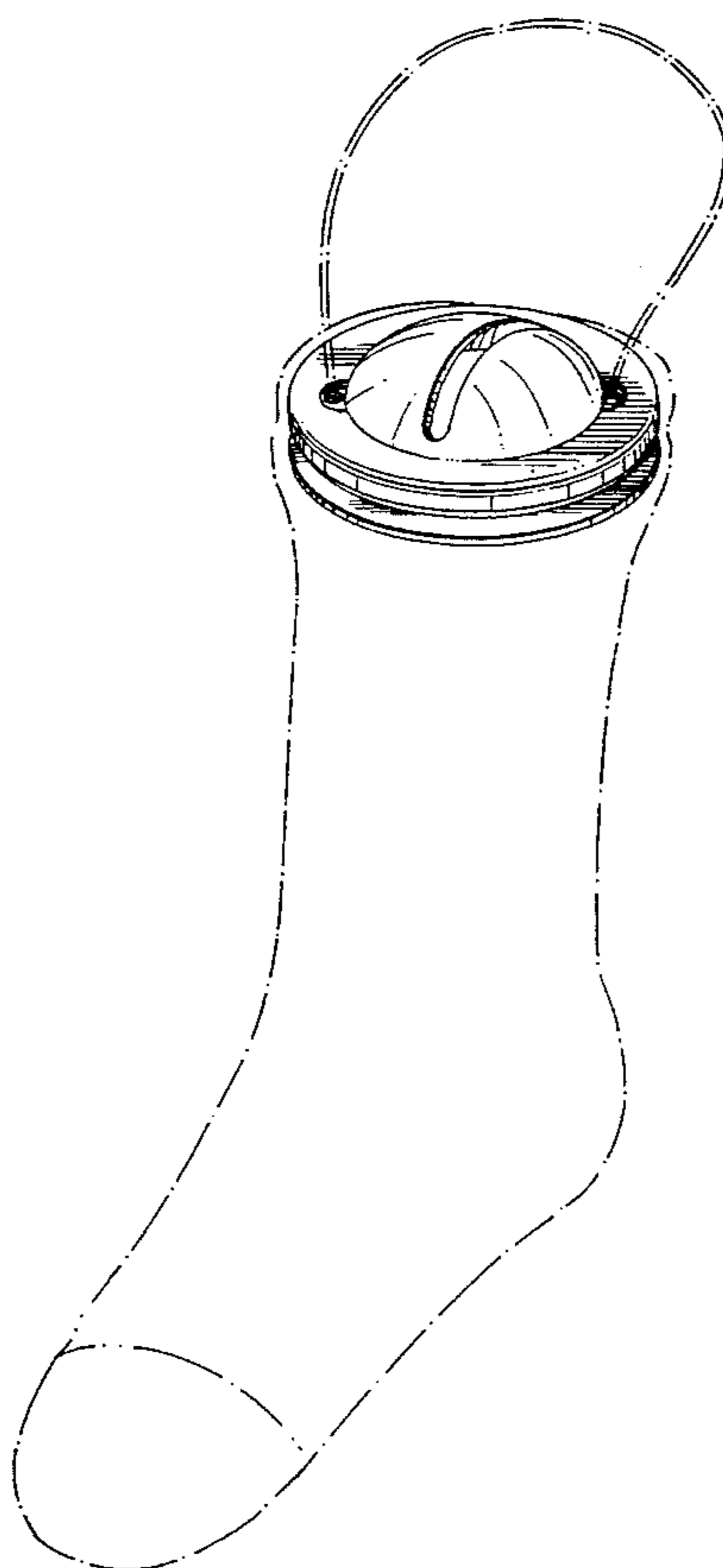
FIG. 2 is a top plan view thereof;

FIG. 3 is a front elevational view thereof, the rear is a mirror image;

FIG. 4 is a side elevational view thereof, the opposite side is a mirror image; and,

FIG. 5 is a bottom view thereof.

1 Claim, 2 Drawing Sheets



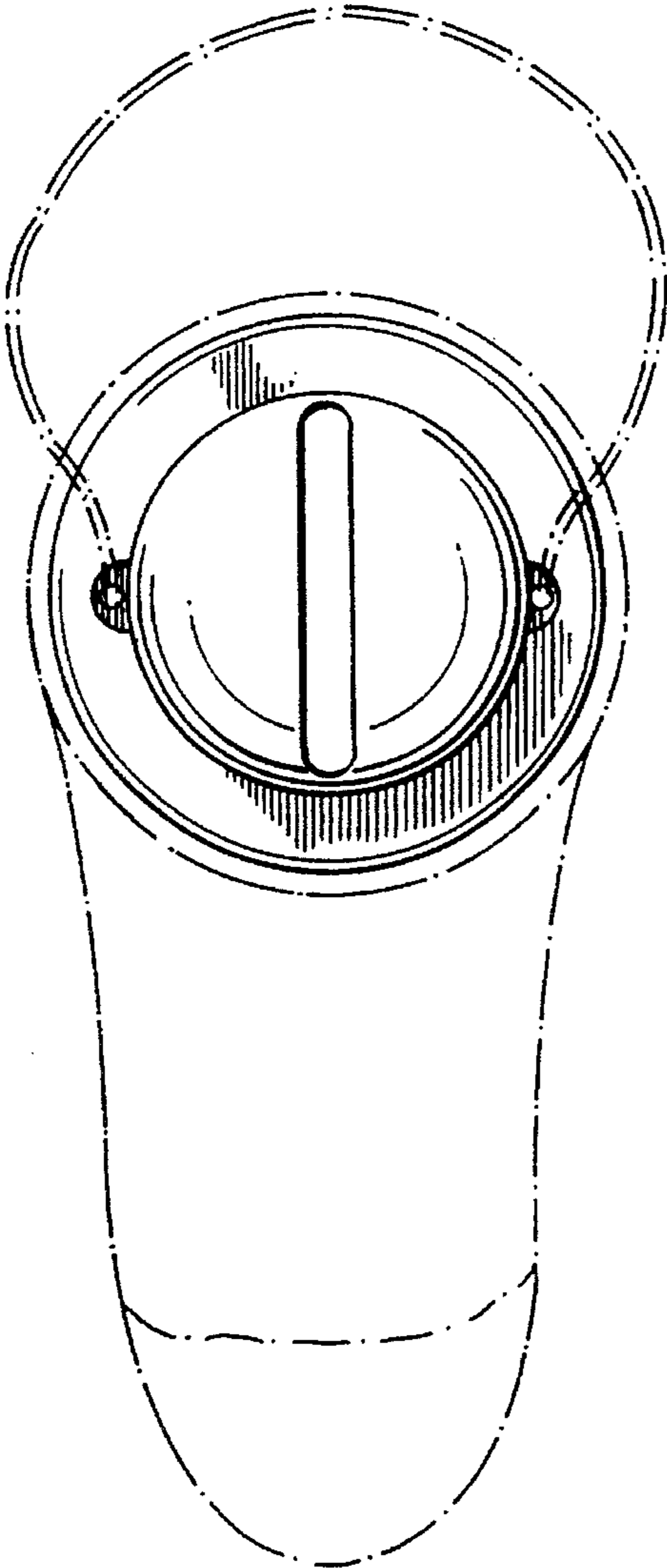


FIG. 2

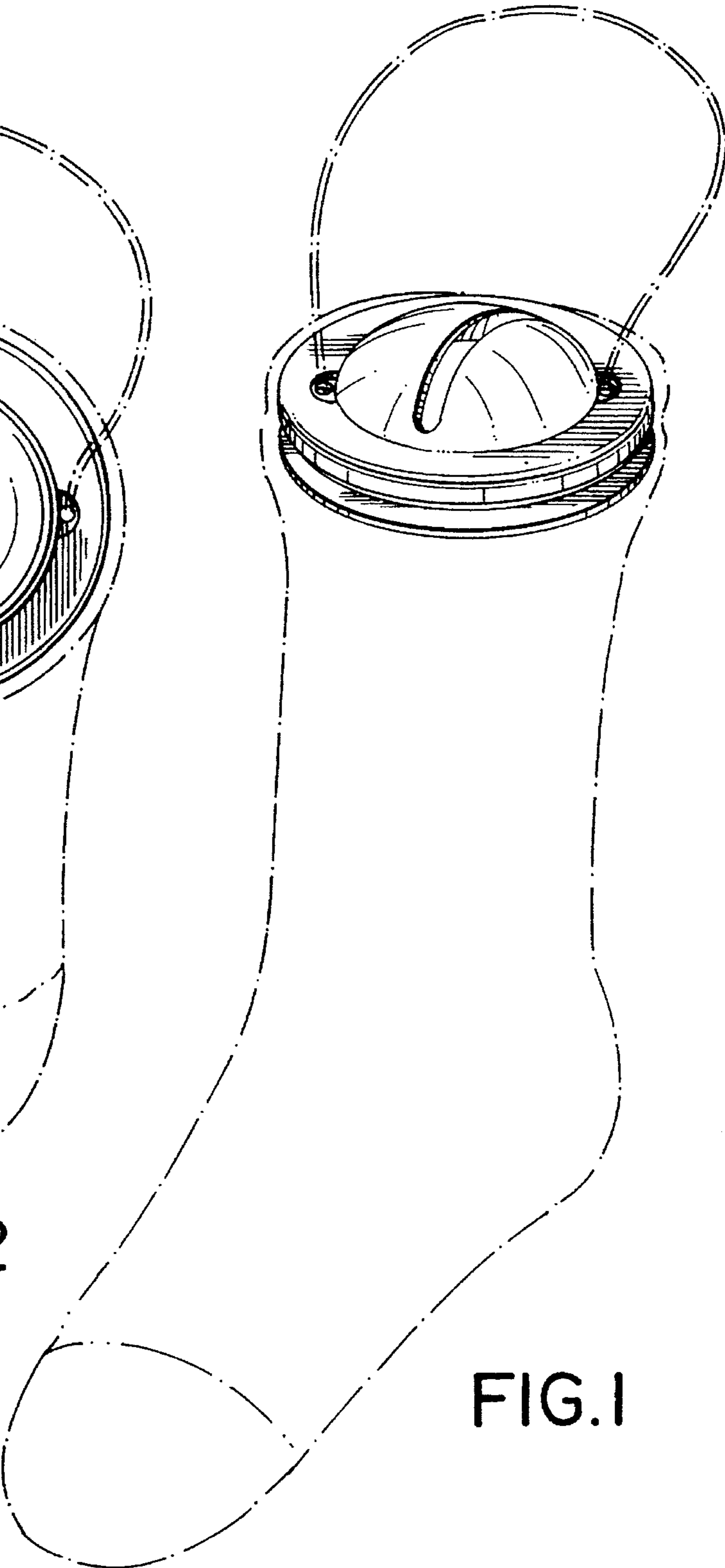


FIG. 1

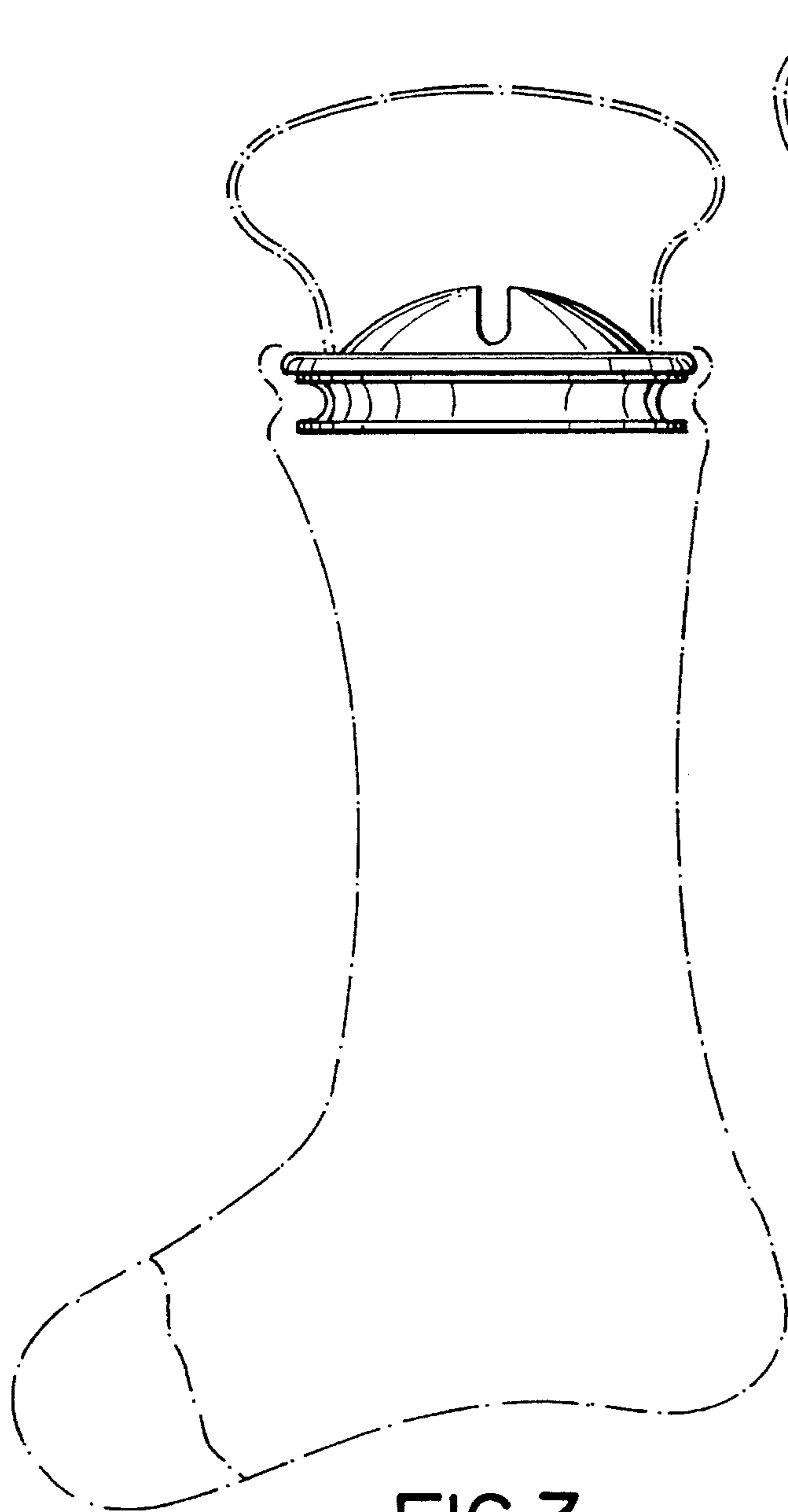


FIG.3

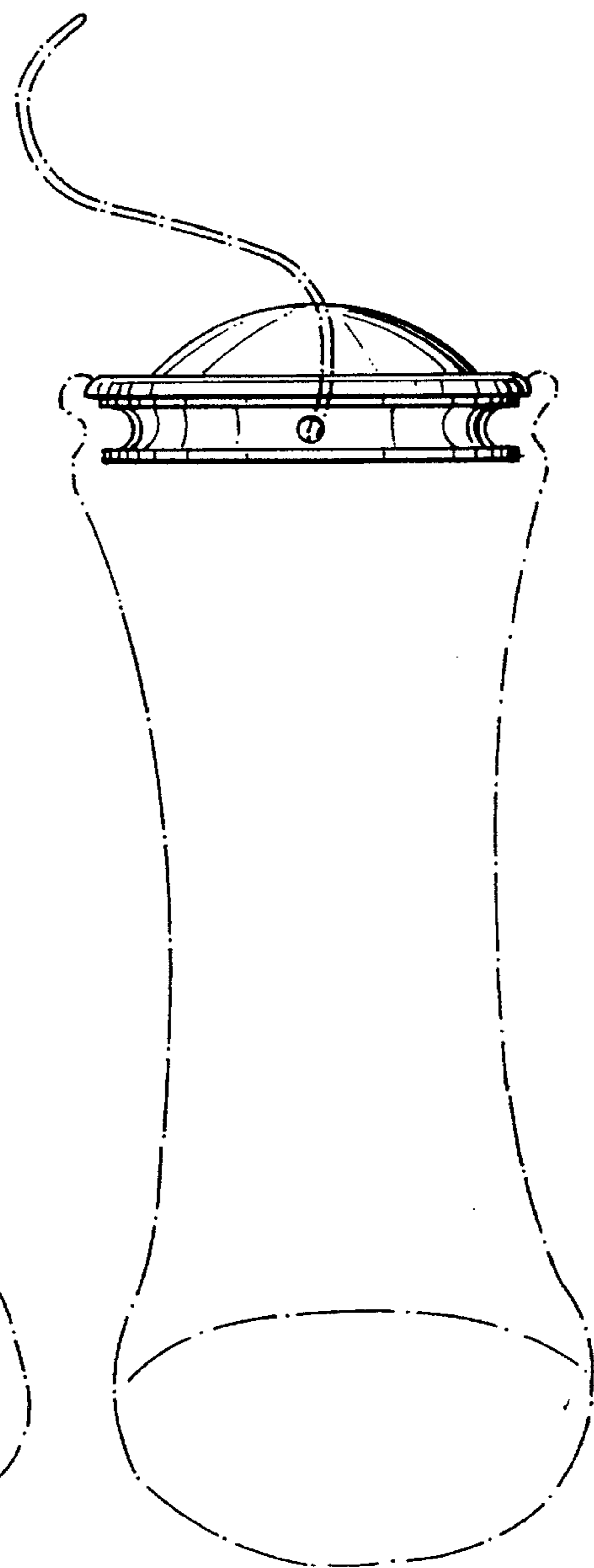


FIG.4

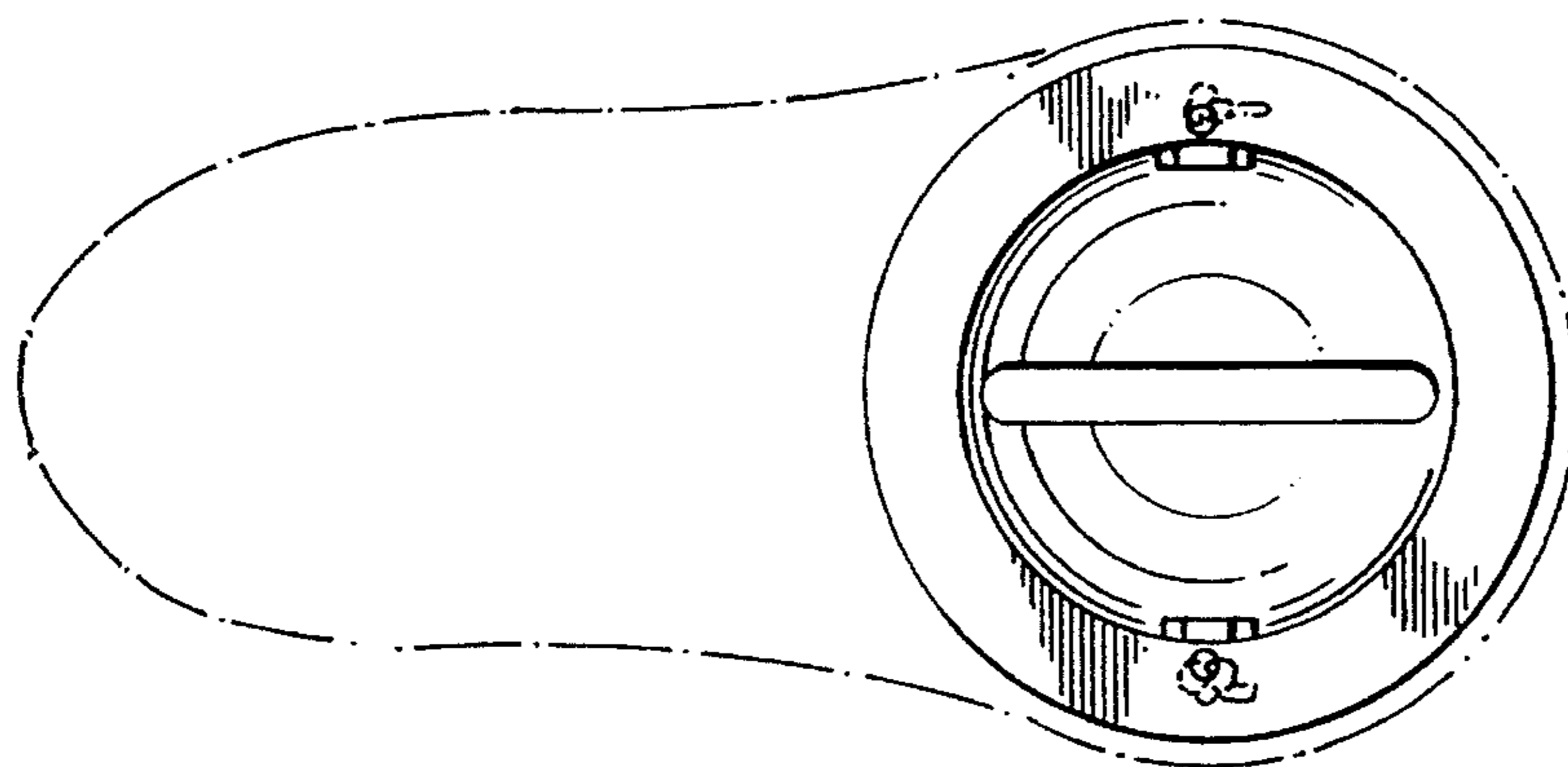


FIG.5