



US00D378161S

United States Patent [19] Waff

[11] **Patent Number: Des. 378,161**
[45] **Date of Patent: **Feb. 25, 1997**

[54] **LIGHTED SHOE**

4,848,009 7/1989 Rodgers 36/137
5,490,338 2/1996 Hwang et al. 36/137

[76] Inventor: **Mark Waff**, 3210 Middleton Dr.,
Rockvale, Tenn. 37153

Primary Examiner—Dominic Simone
Attorney, Agent, or Firm—Harold H. Dutton, Jr.; W. Charles
L. Jamison; Diane F. Liebman

[**] Term: **14 Years**

[21] Appl. No.: **50,249**

[57] CLAIM

[22] Filed: **Feb. 12, 1996**

The ornamental design for a lighted shoe, as shown.

[52] U.S. Cl. **D2/897**; D2/902; D2/899

DESCRIPTION

[58] Field of Search D2/896, 902, 897,
D2/899, 976; 36/83, 114, 137

FIG. 1 is a perspective view of a lighted shoe showing my
new design;

FIG. 2 is a bottom view thereof;

FIG. 3 is a top view thereof;

FIG. 4 is a right side view thereof, the left side being a mirror
image;

FIG. 5 is a front view thereof; and,

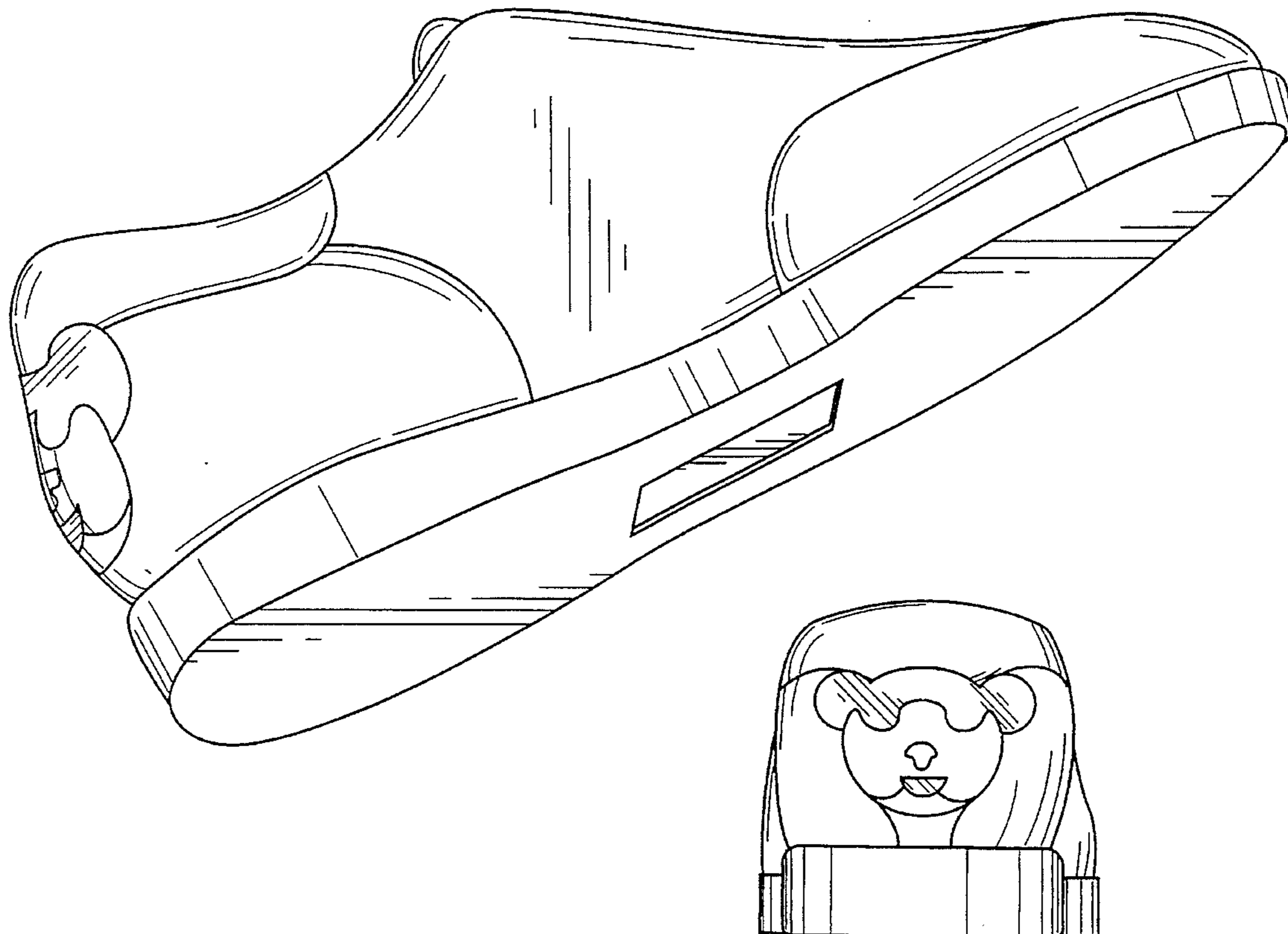
FIG. 6 is a rear view thereof.

[56] References Cited

U.S. PATENT DOCUMENTS

D. 191,575	10/1961	Pool	D2/899
D. 336,975	7/1993	Truner et al.	D2/976
2,976,622	3/1961	Shearouse	36/137 X
3,067,322	12/1962	Sola	36/137 X
3,070,907	1/1963	Rocco	36/137 X
4,158,922	6/1979	Dana, III	36/137

1 Claim, 3 Drawing Sheets



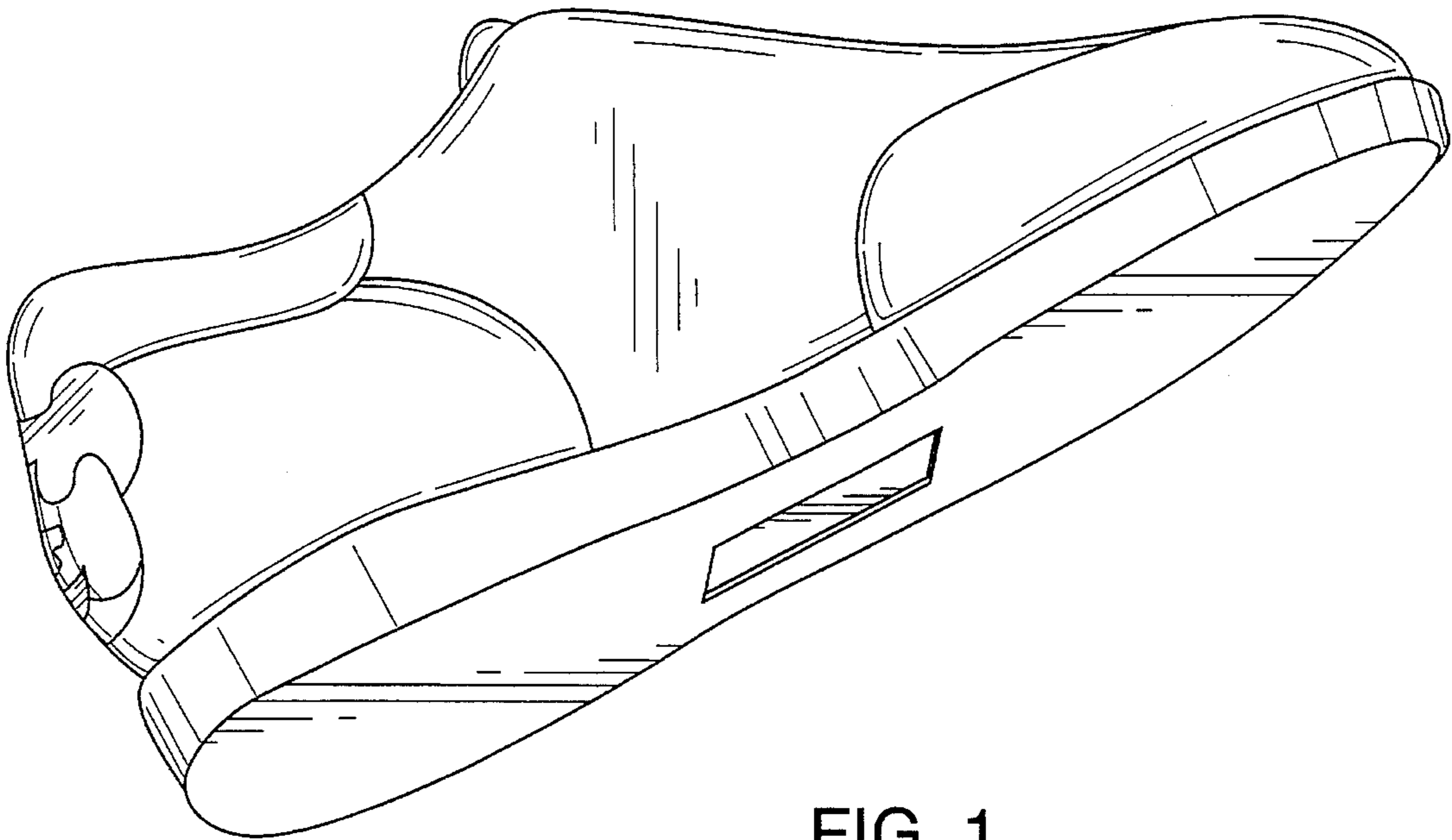


FIG. 1

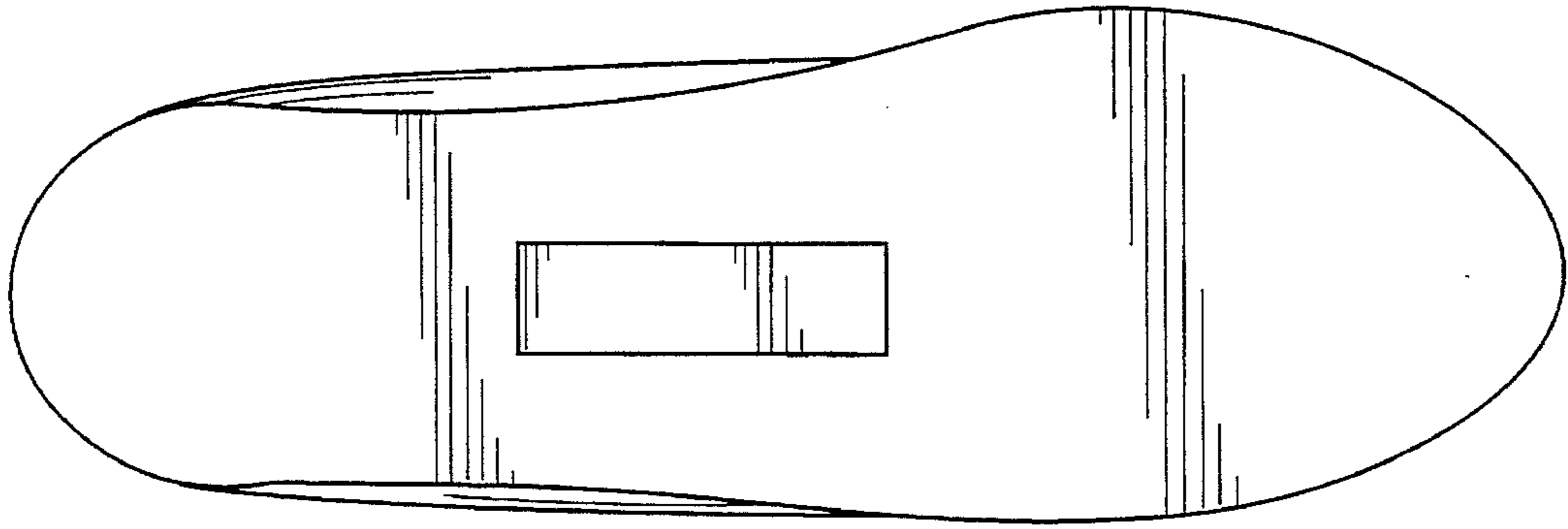


FIG. 2

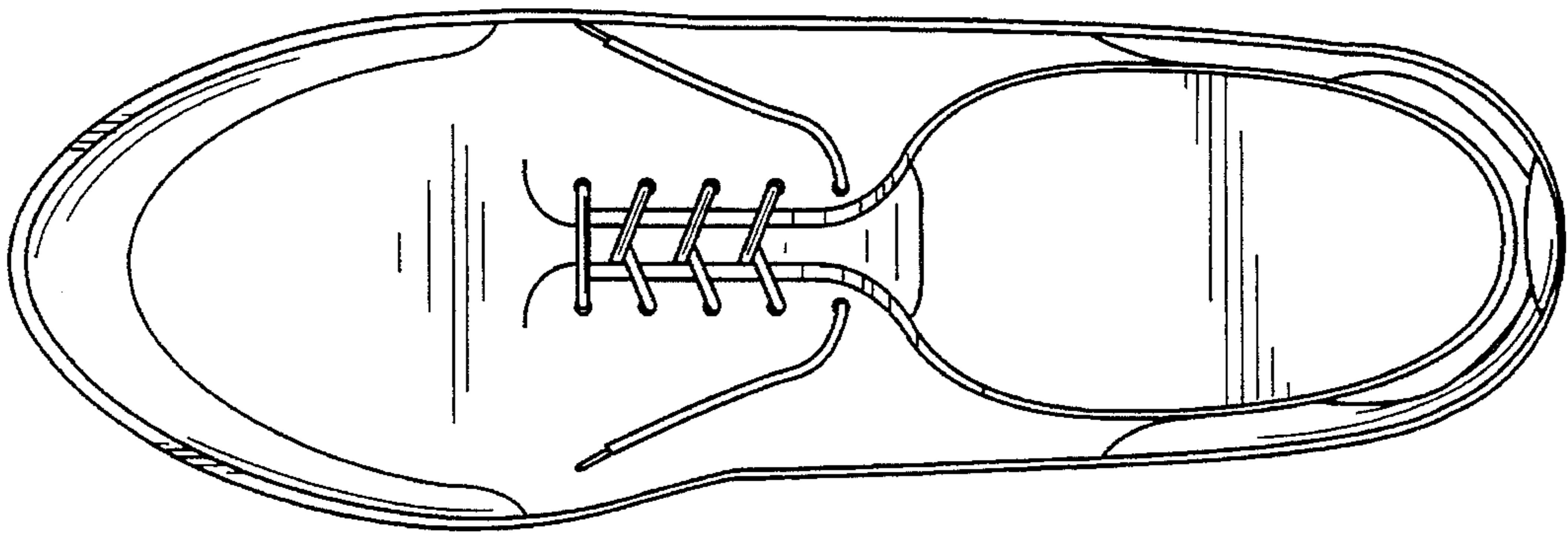


FIG. 3

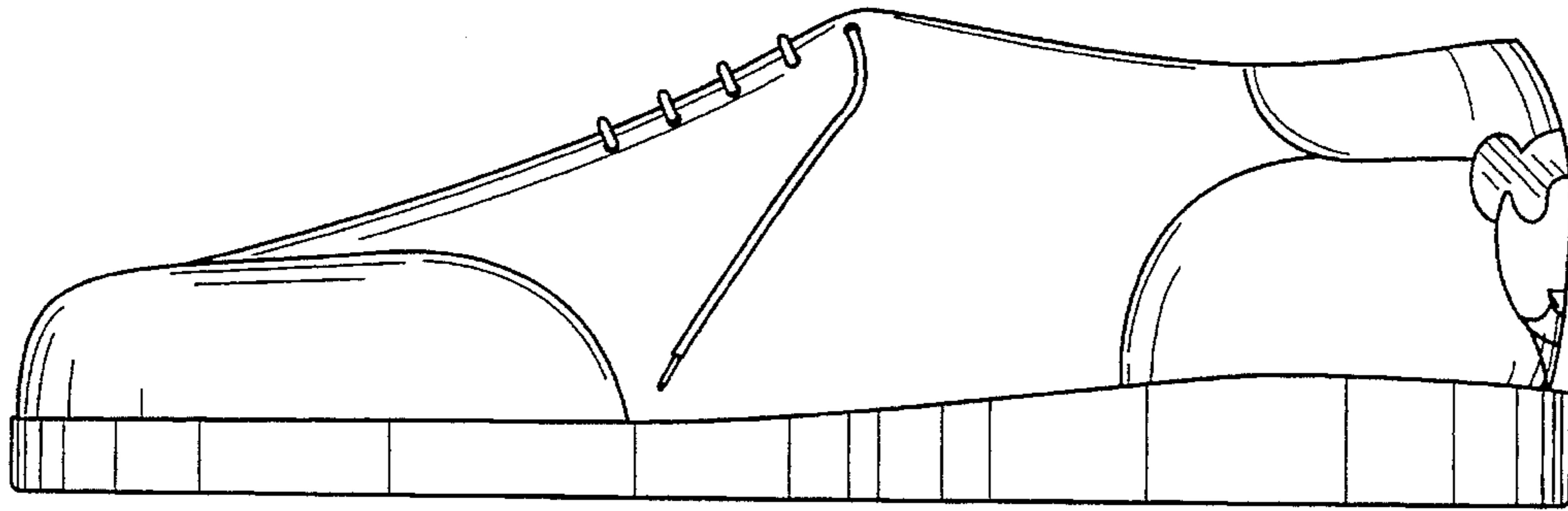


FIG. 4

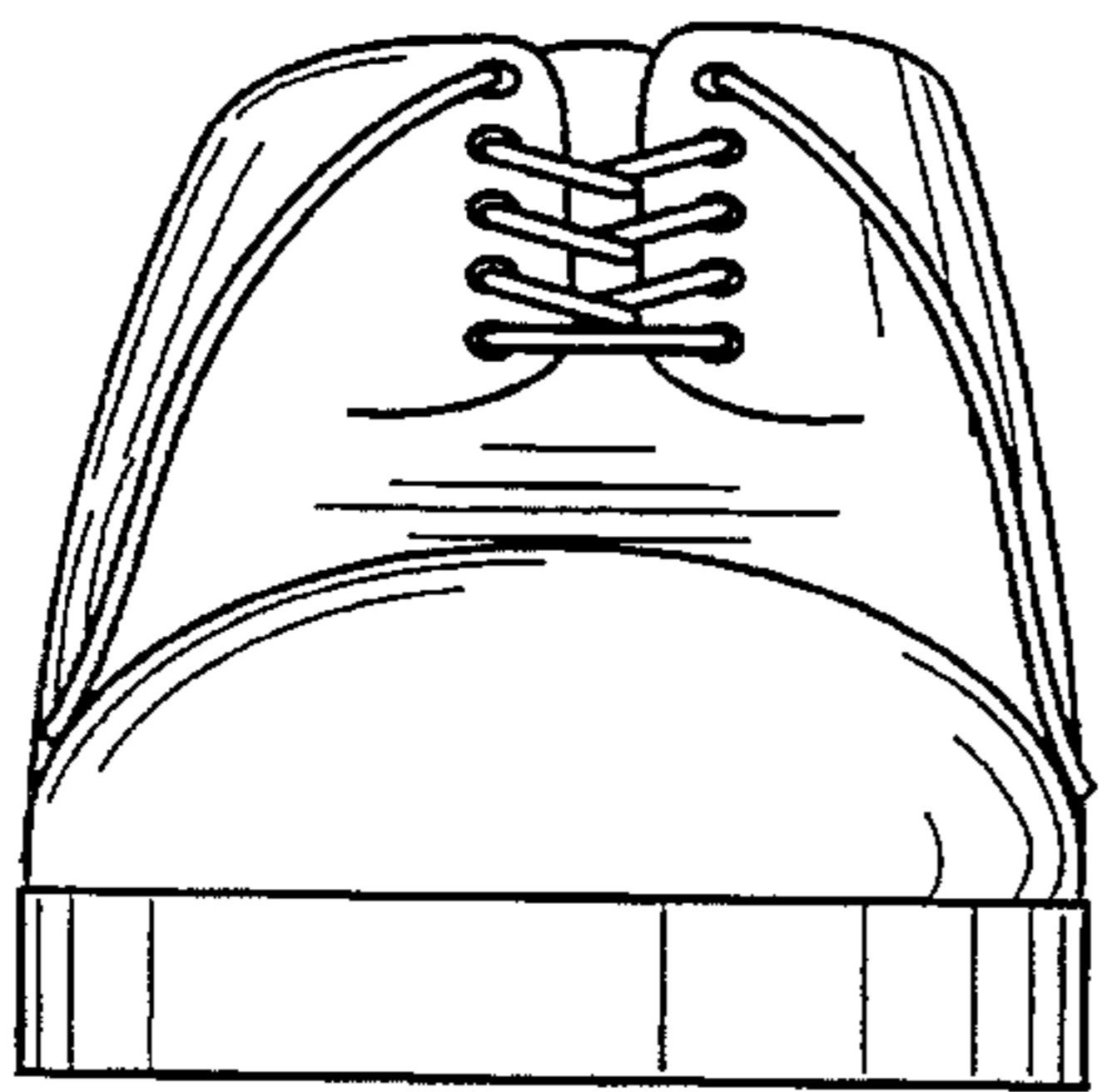


FIG. 5

FIG. 6

