



US00D378159S

**United States Patent** [19]  
**Mulkey**

[11] **Patent Number: Des. 378,159**

[45] **Date of Patent: \*\*Feb. 25, 1997**

[54] **MIRROR FOR HEADGEAR**

[76] **Inventor: Lynn Mulkey, 13391 State Rte. 4,  
Marysville, Ohio 43040**

[\*\*] **Term: 14 Years**

[21] **Appl. No.: 48,376**

[22] **Filed: Dec. 27, 1995**

[52] **U.S. Cl. .... D2/891; D2/866; D6/300;  
D12/189**

[58] **Field of Search ..... D2/865, 866, 891;  
2/171, 195.1, 209.13, 209.14; D6/300, 301,  
302, 303, 304, 305, 306, 307, 308, 309,  
310, 311, 312; D12/189, 187; 24/301**

[56] **References Cited**

**U.S. PATENT DOCUMENTS**

D. 196,092	8/1963	Tager .....	D6/309
D. 284,462	7/1986	Greenlaw et al. ....	D12/189
D. 286,395	10/1986	Greenlaw et al. ....	D12/189
D. 307,678	5/1990	Lookerse .....	D6/312

D. 358,715	5/1995	Young .....	D6/300
943,005	12/1909	Cruver .....	D2/891 X
2,717,385	9/1955	Linster .....	D2/891 X
3,126,600	3/1964	DeMarre .....	24/301
3,730,612	5/1973	Arroyo et al. ....	D6/302 X

*Primary Examiner*—Paula A. Mortimer  
*Attorney, Agent, or Firm*—Thomas S. Baker, Jr.

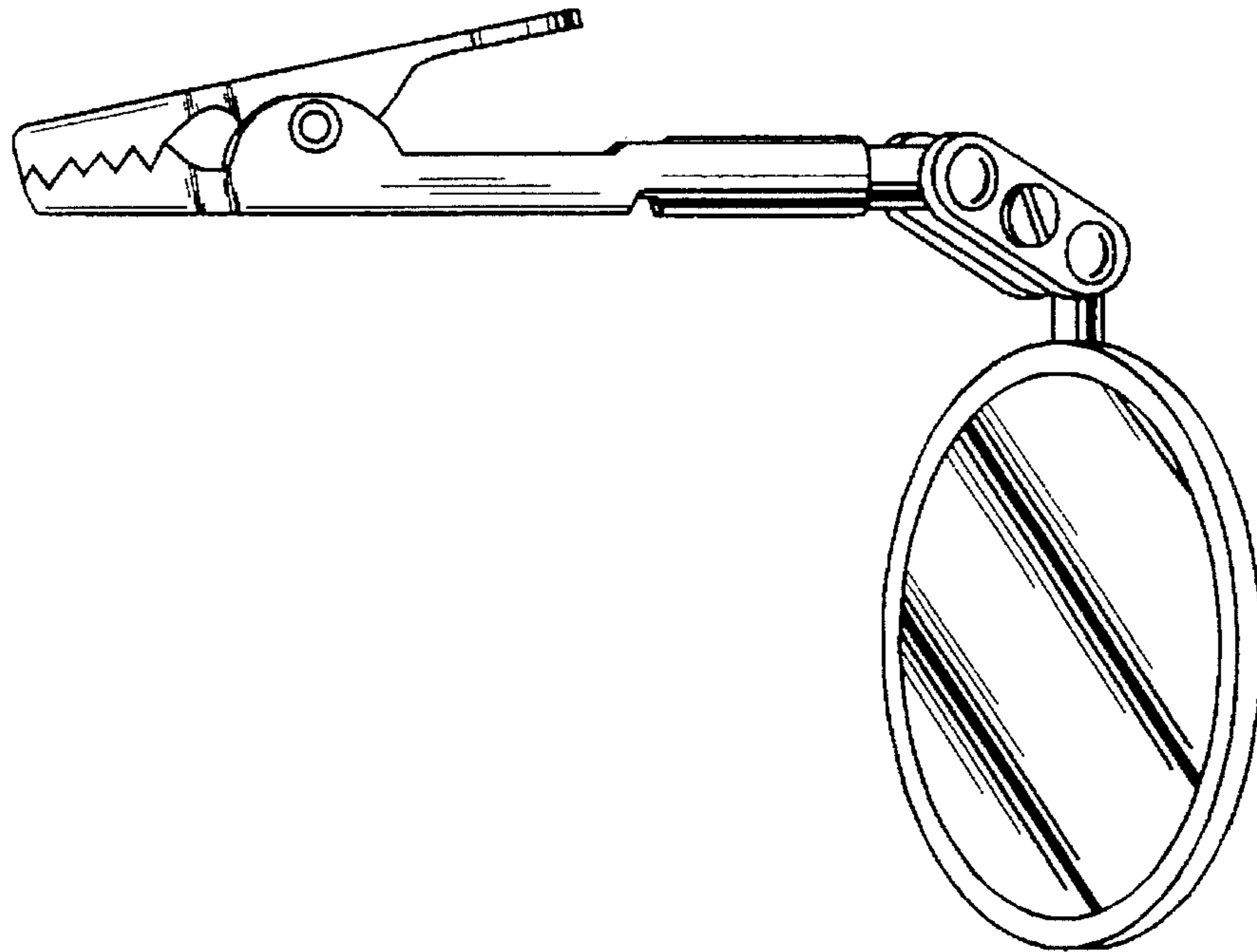
[57] **CLAIM**

The ornamental design for a mirror for headgear, as shown and described.

**DESCRIPTION**

FIG. 1 is a front perspective view of a mirror for headgear showing my new design;  
FIG. 2 is a front elevational view thereof;  
FIG. 3 is a top plan view thereof;  
FIG. 4 is a left side elevational view thereof;  
FIG. 5 is a right side elevational view thereof;  
FIG. 6 is a rear elevational view thereof; and,  
FIG. 7 is a bottom plan view thereof.

**1 Claim, 2 Drawing Sheets**



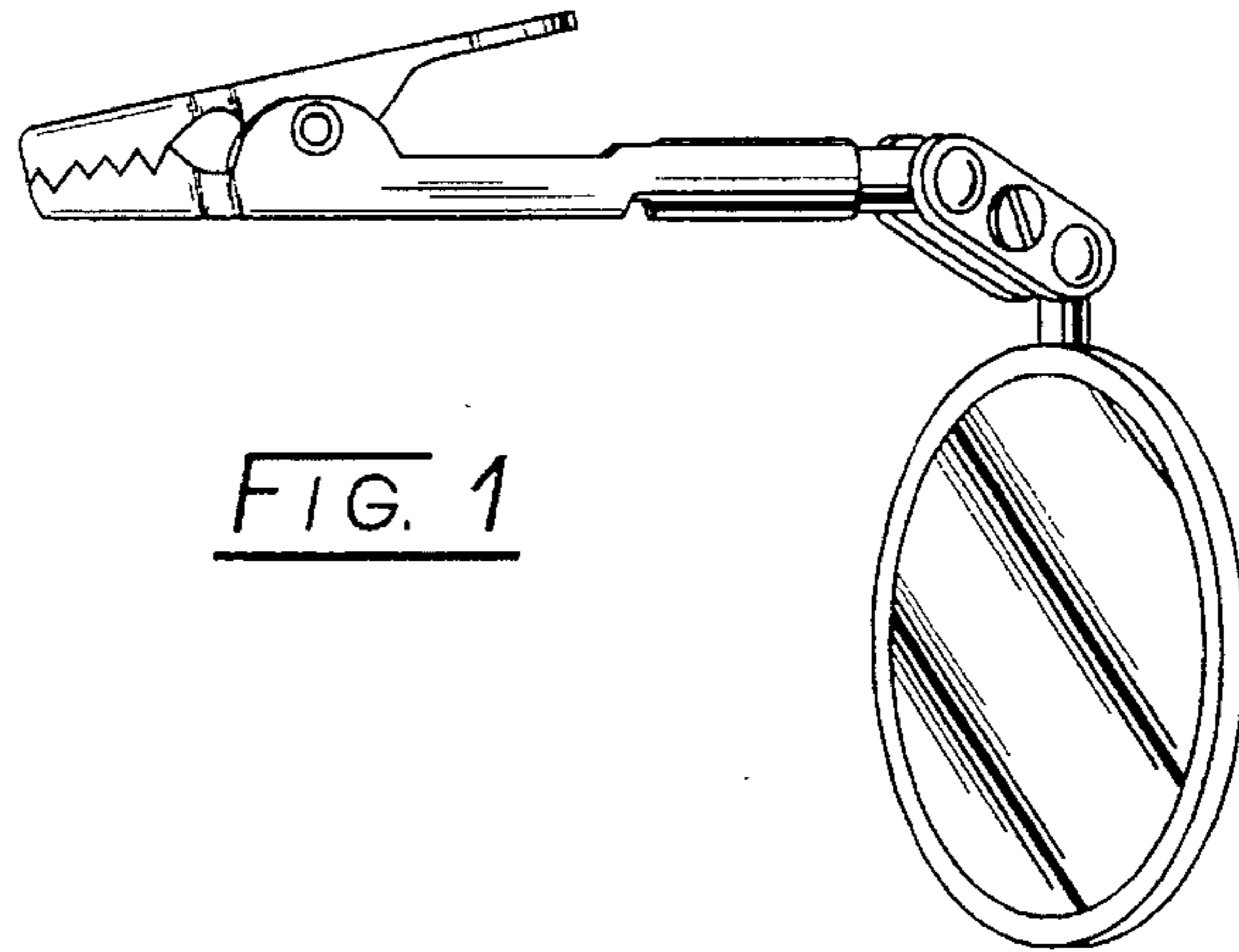


FIG. 1

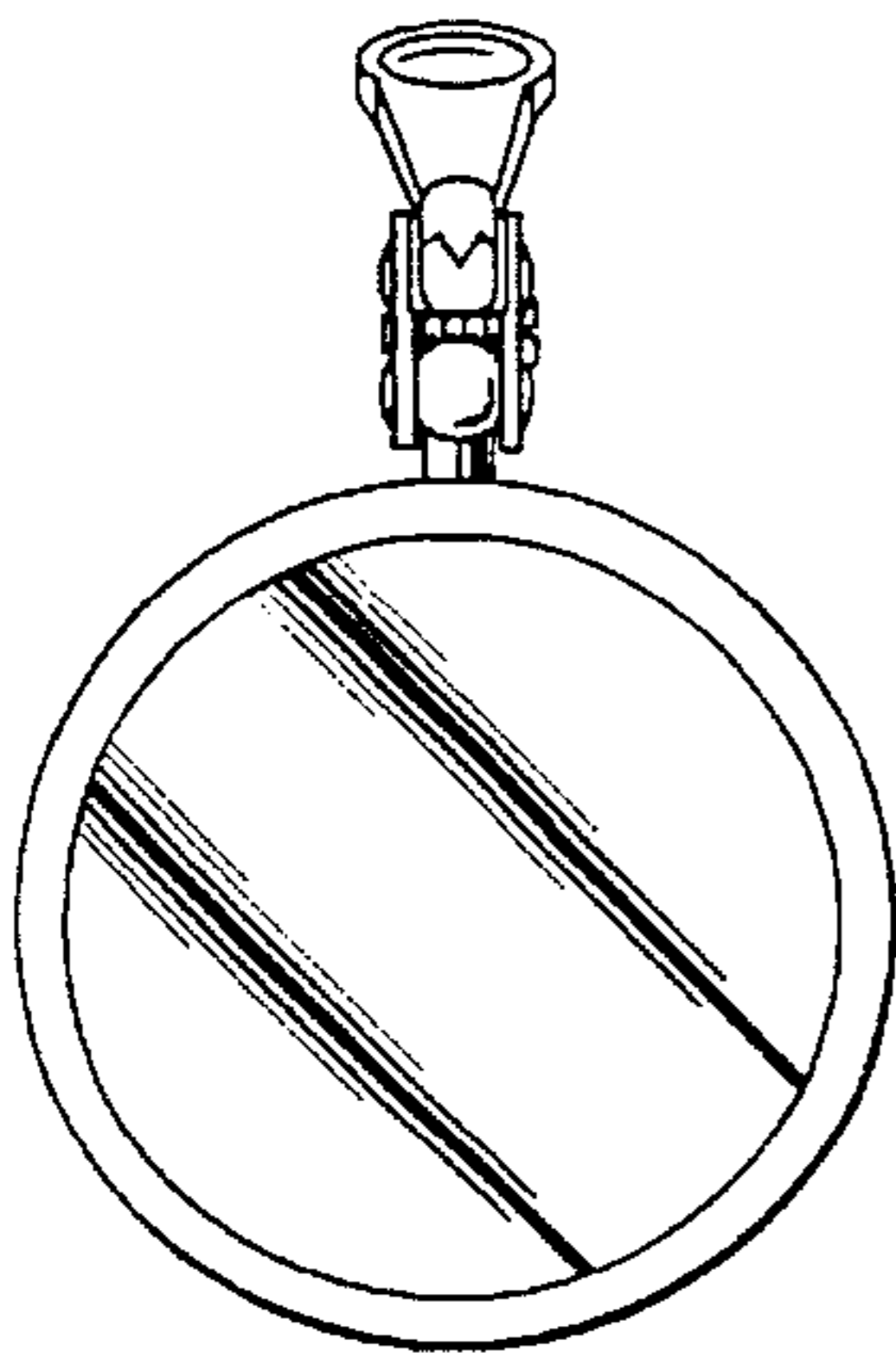


FIG. 2

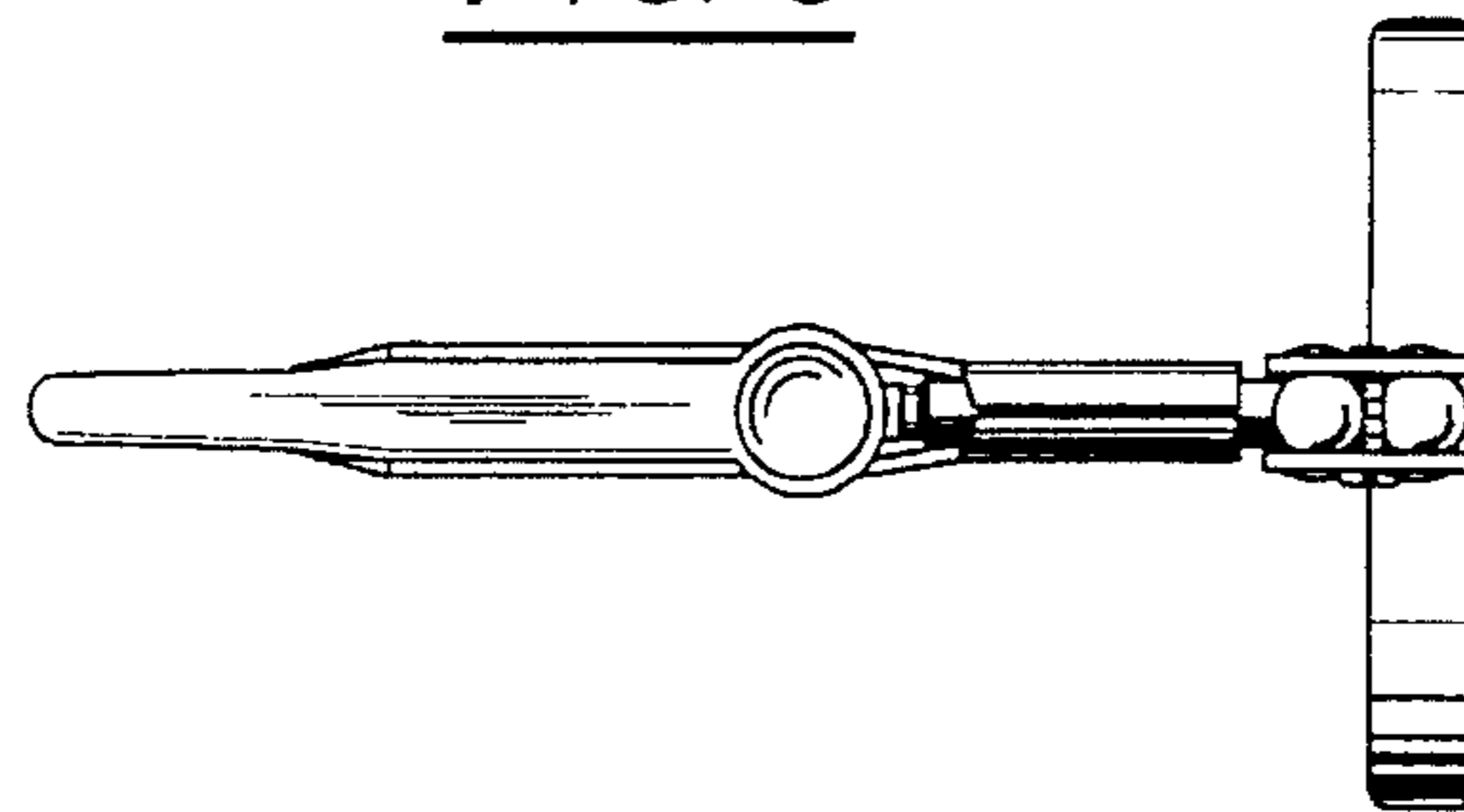


FIG. 3

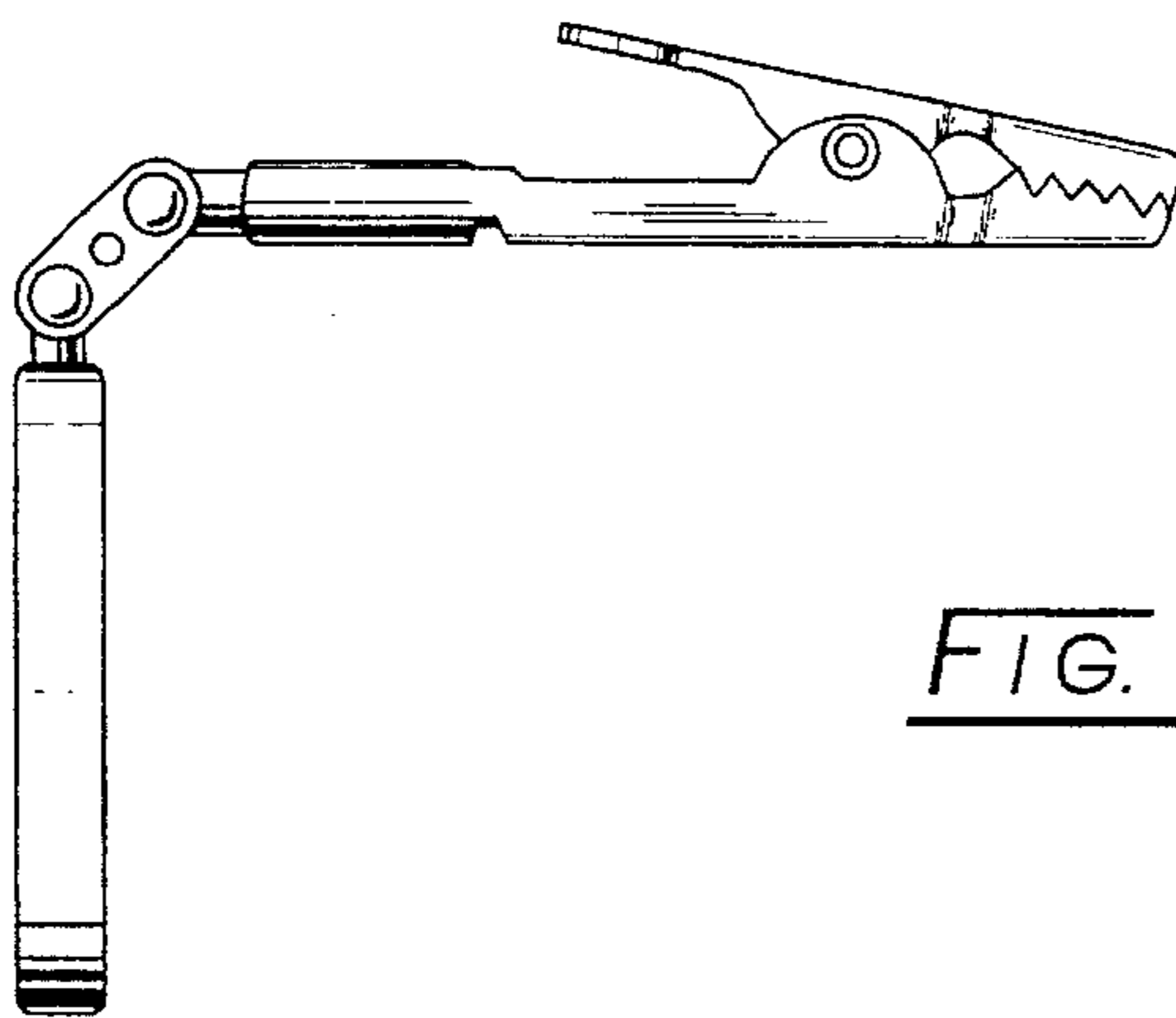


FIG. 4

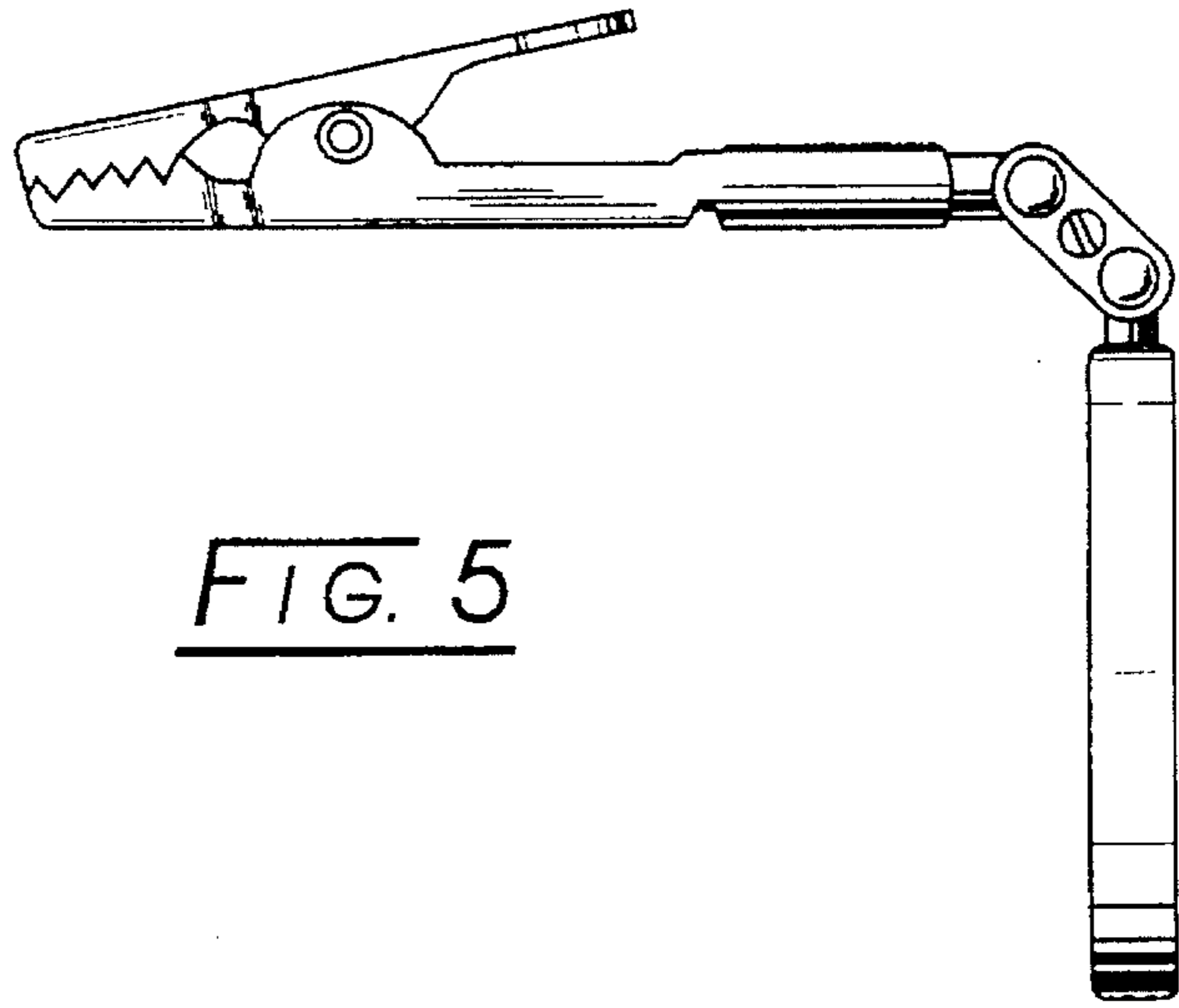


FIG. 5

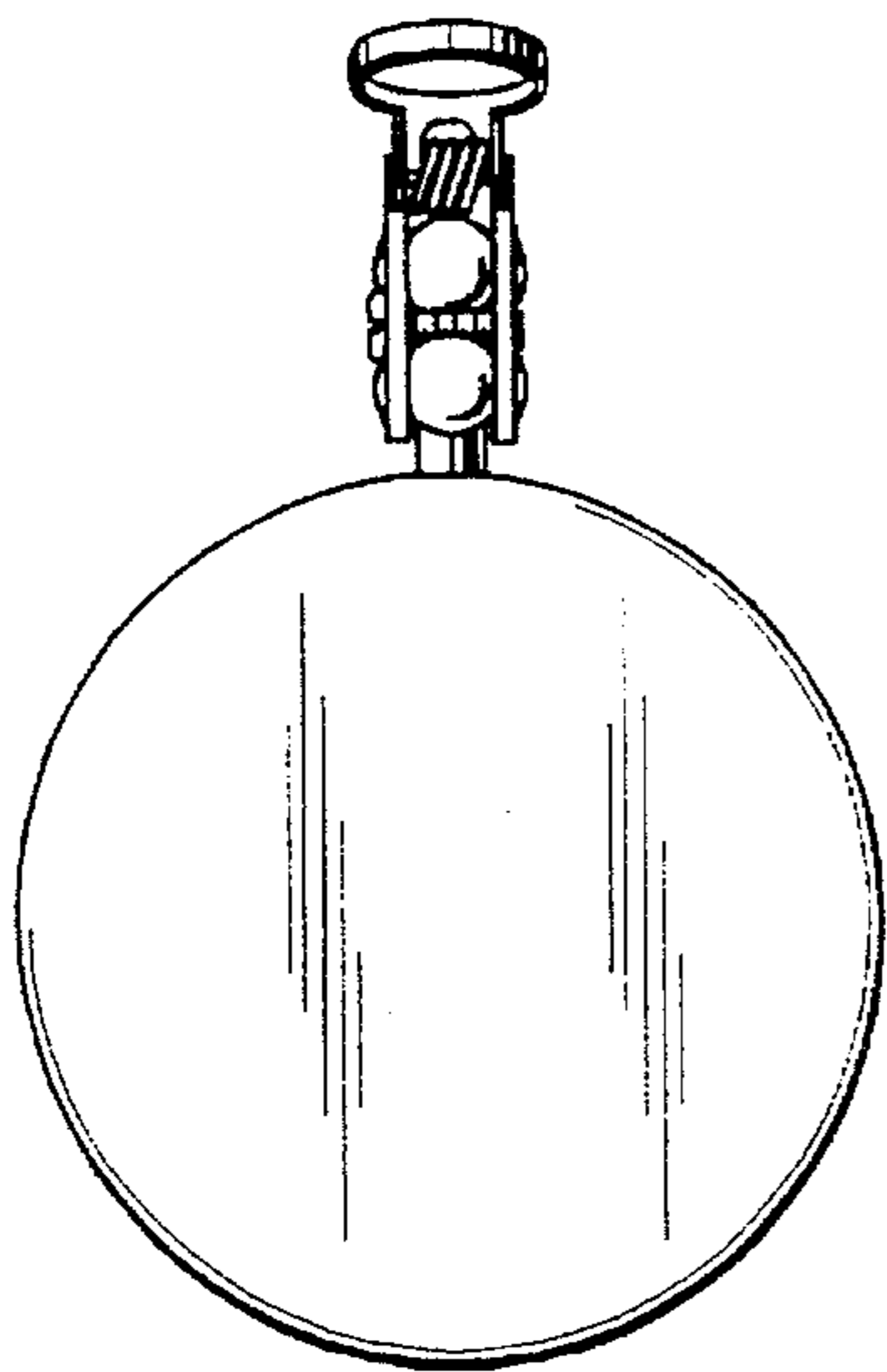


FIG. 6

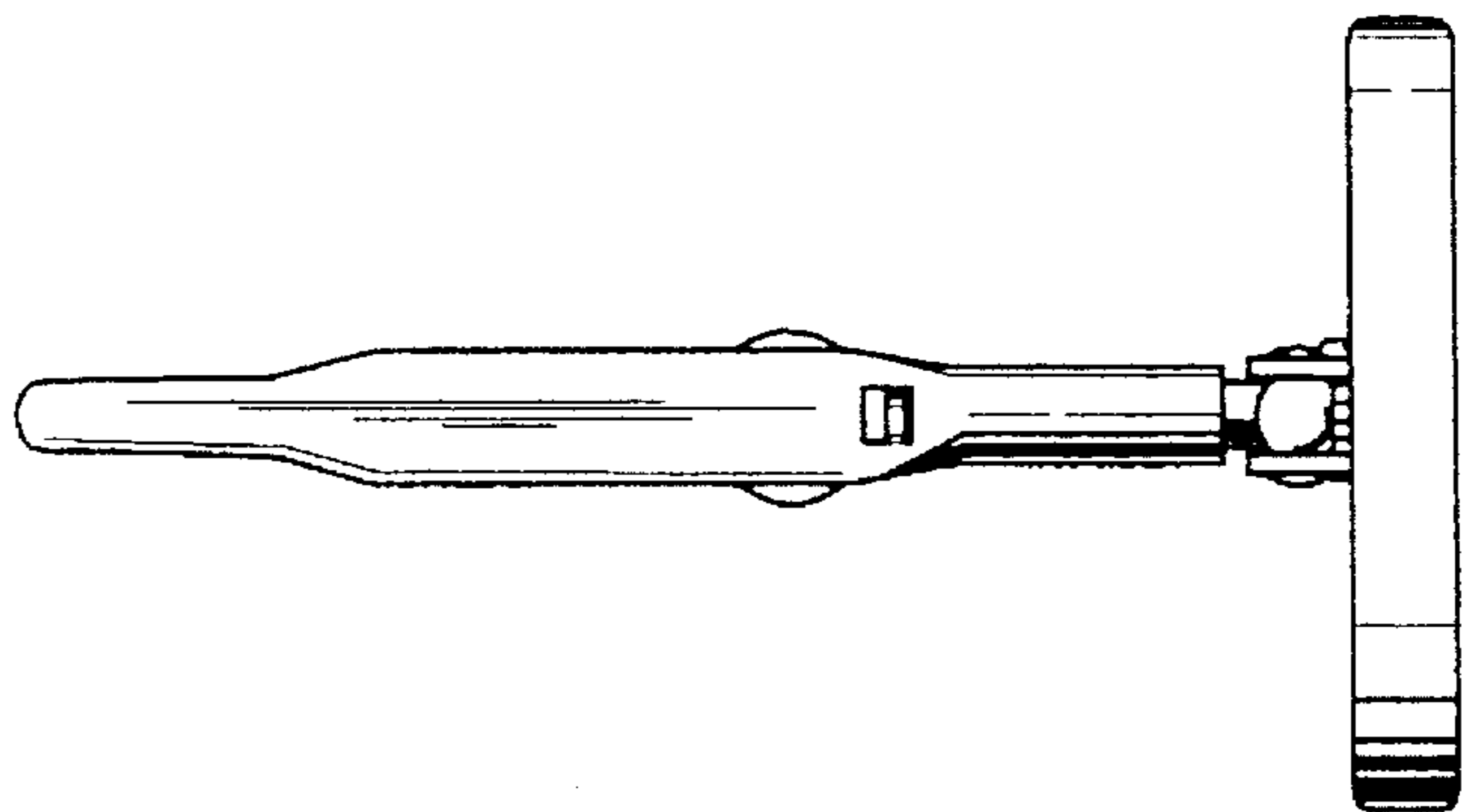


FIG. 7