



US00D378156S

United States Patent [19]

[11] Patent Number: **Des. 378,156**

Chapman

[45] Date of Patent: ****Feb. 18, 1997**

[54] **MOBILE CAMERA CRANE BASE**

[75] Inventor: **Leonard T. Chapman**, North Hollywood, Calif.

[73] Assignee: **Leonard Studio Equipment, Inc.**, North Hollywood, Calif.

[**] Term: **14 Years**

[21] Appl. No.: **29,359**

[22] Filed: **Oct. 4, 1994**

[52] U.S. Cl. **D34/34**

[58] Field of Search D12/1; 280/47.11; D16/242; D34/34, 36, 37; 414/590

[56] **References Cited**

U.S. PATENT DOCUMENTS

D. 214,889	8/1969	Stevens	D34/34
4,950,126	8/1990	Fabiano et al.	414/590
5,312,121	5/1994	Chapman	.	

OTHER PUBLICATIONS

Brochure—Lenny Arm II By: Chapman, 1994.
Brochure—Model 9 Camera Dolly Optional Accessories, J. L. Fisher, Inc. 1990.

Brochure—The HYBRID dolly by Chapman, 1990.

Brochure—The HY HY Crane Arm Base By Chapman, 1993.

Brochure—Chapman—Electra II/Nike Stage Crane, 1988.

Brochure—Zeus Stage Crane by Chapman, 1988.

Primary Examiner—Holly H. Baynham

Attorney, Agent, or Firm—Lyon & Lyon

[57] **CLAIM**

The ornamental design for a mobile camera crane base, as shown and described.

DESCRIPTION

FIG. 1 is a right side elevation view of my mobile camera crane base;

FIG. 2 is a left side elevation view thereof;

FIG. 3 is a front elevational view thereof;

FIG. 4 is a rear elevation view thereof; and,

FIG. 5 is a plan view thereof.

The bottom is plain and unornamented.

1 Claim, 4 Drawing Sheets

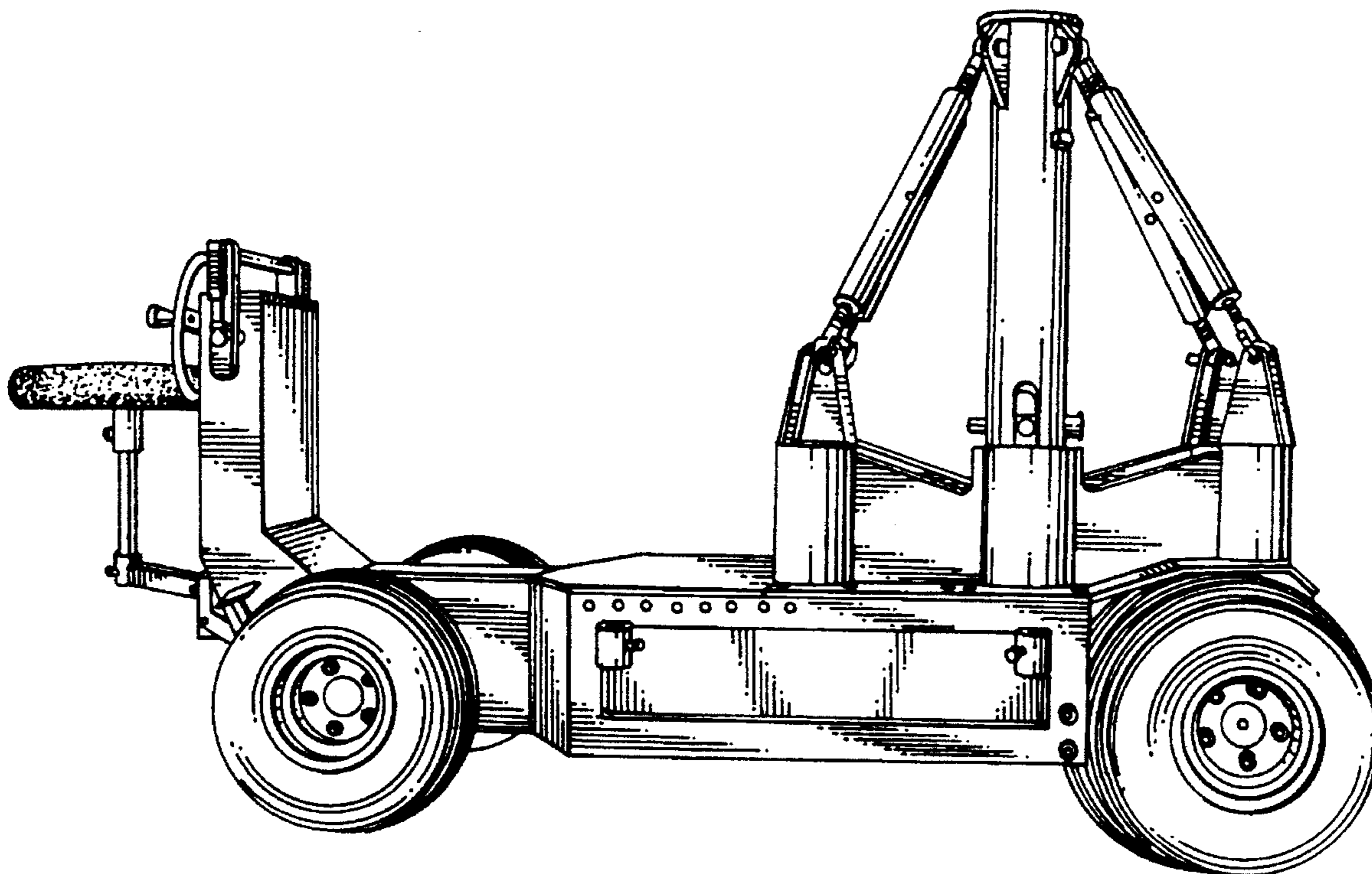


Fig. 1

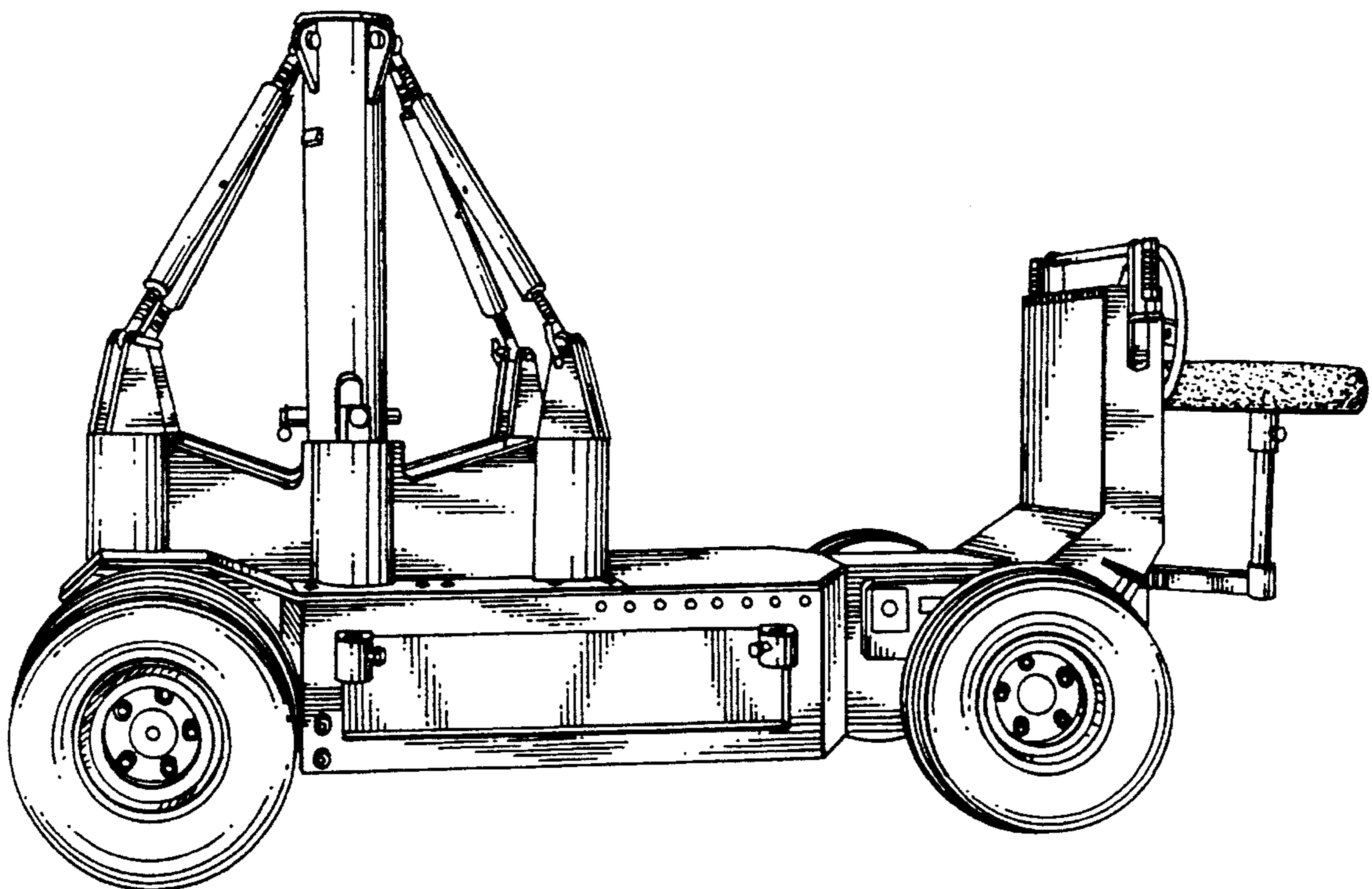
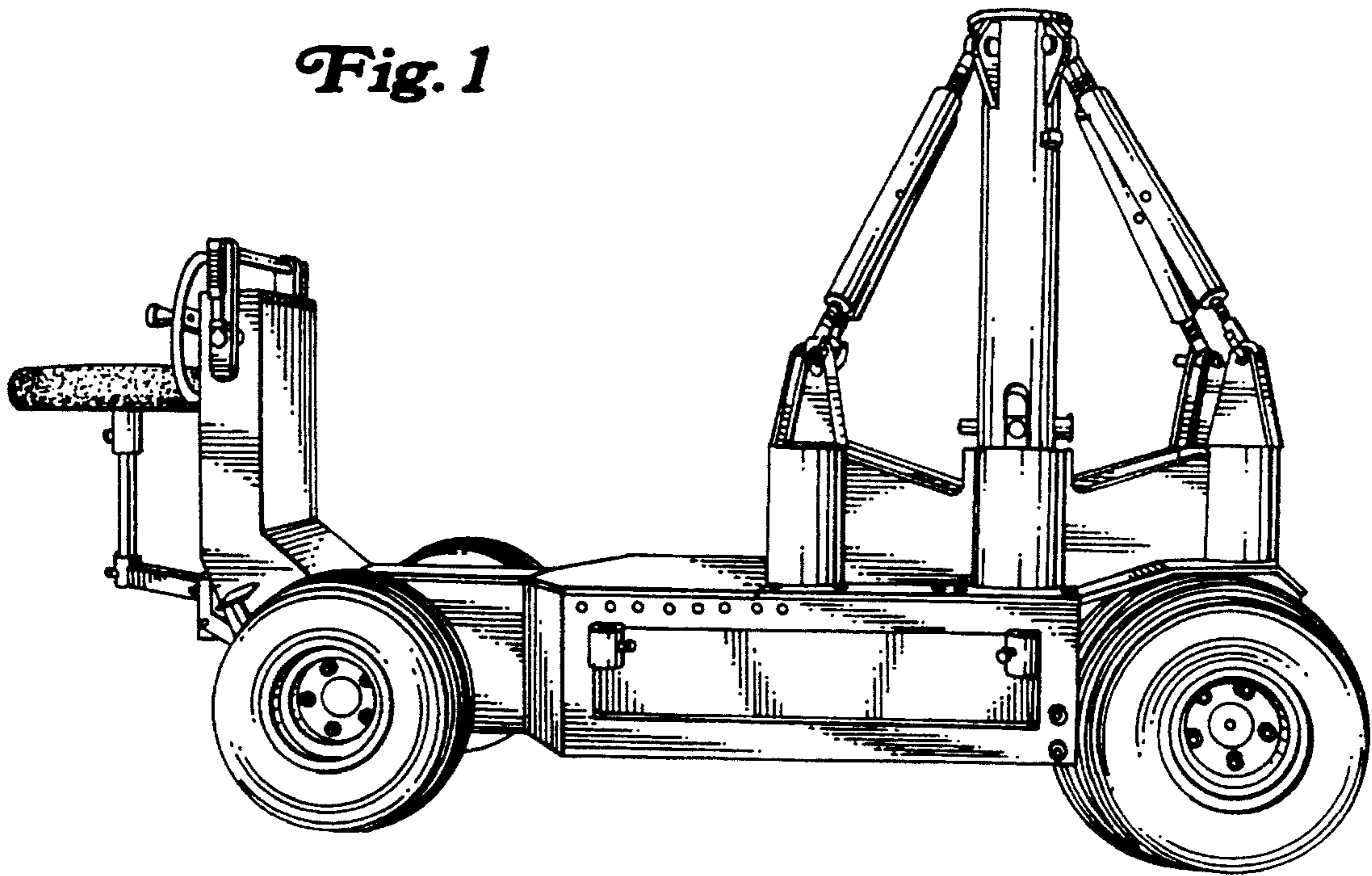


Fig. 2

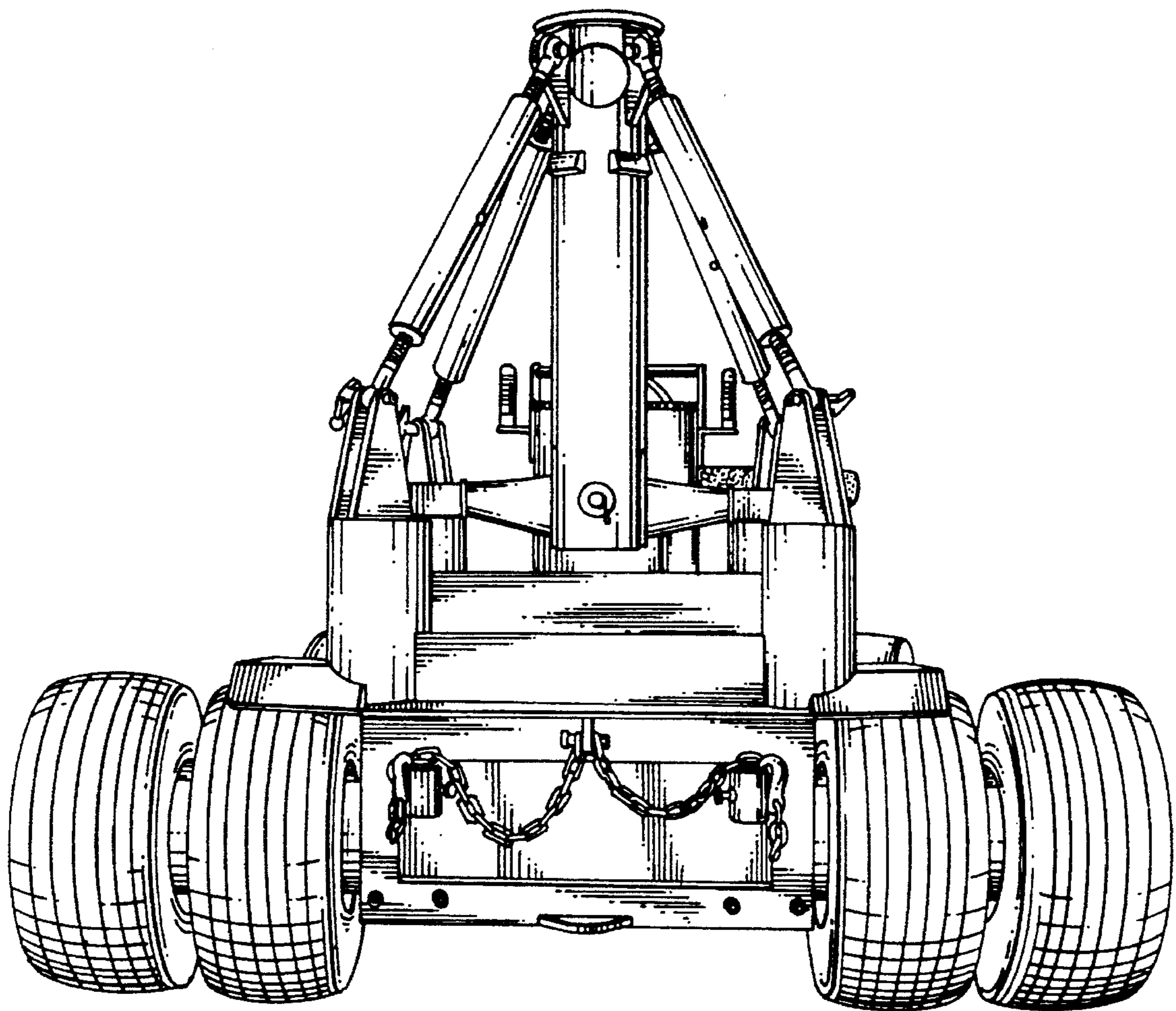


Fig. 3

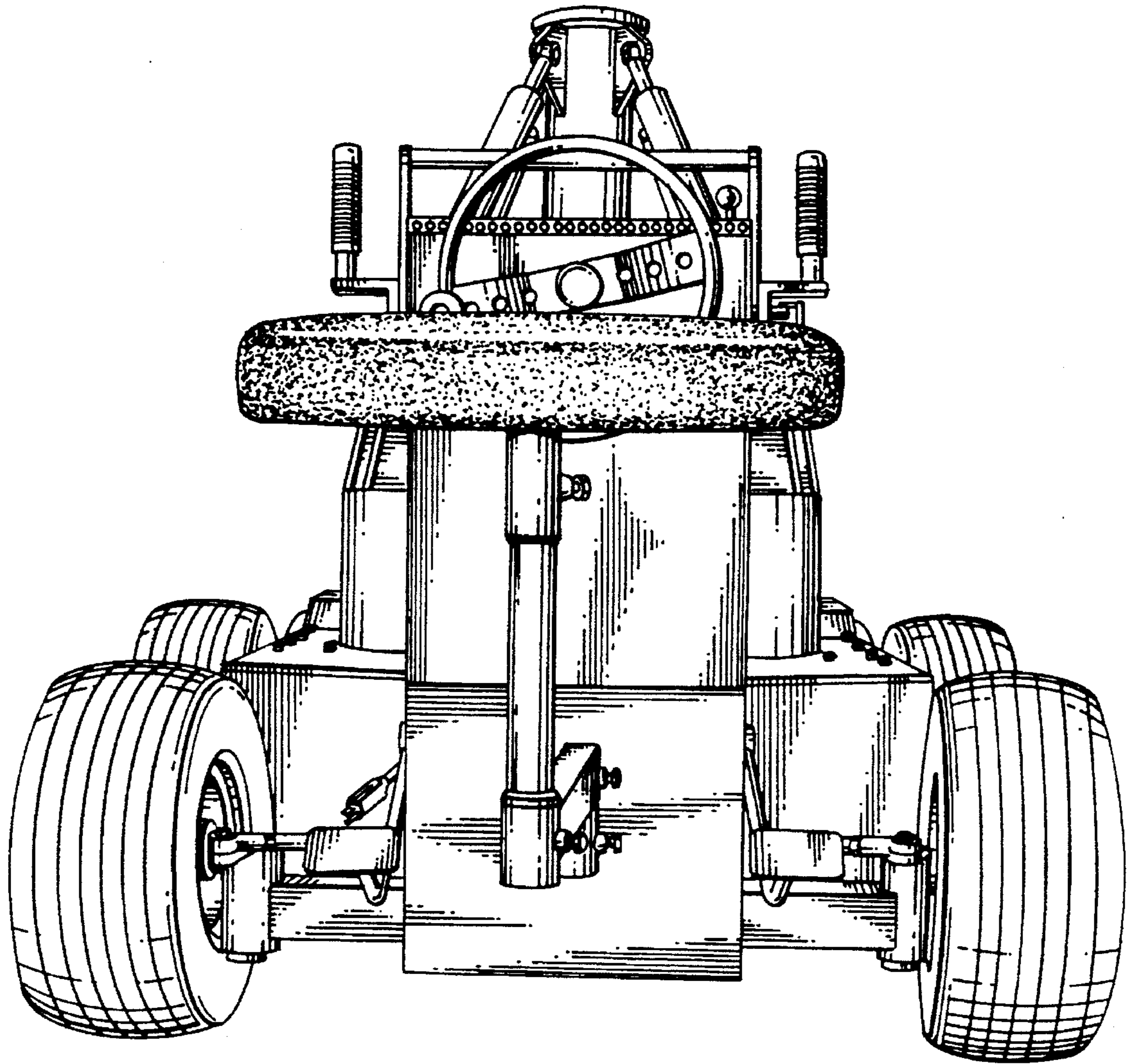


Fig. 4

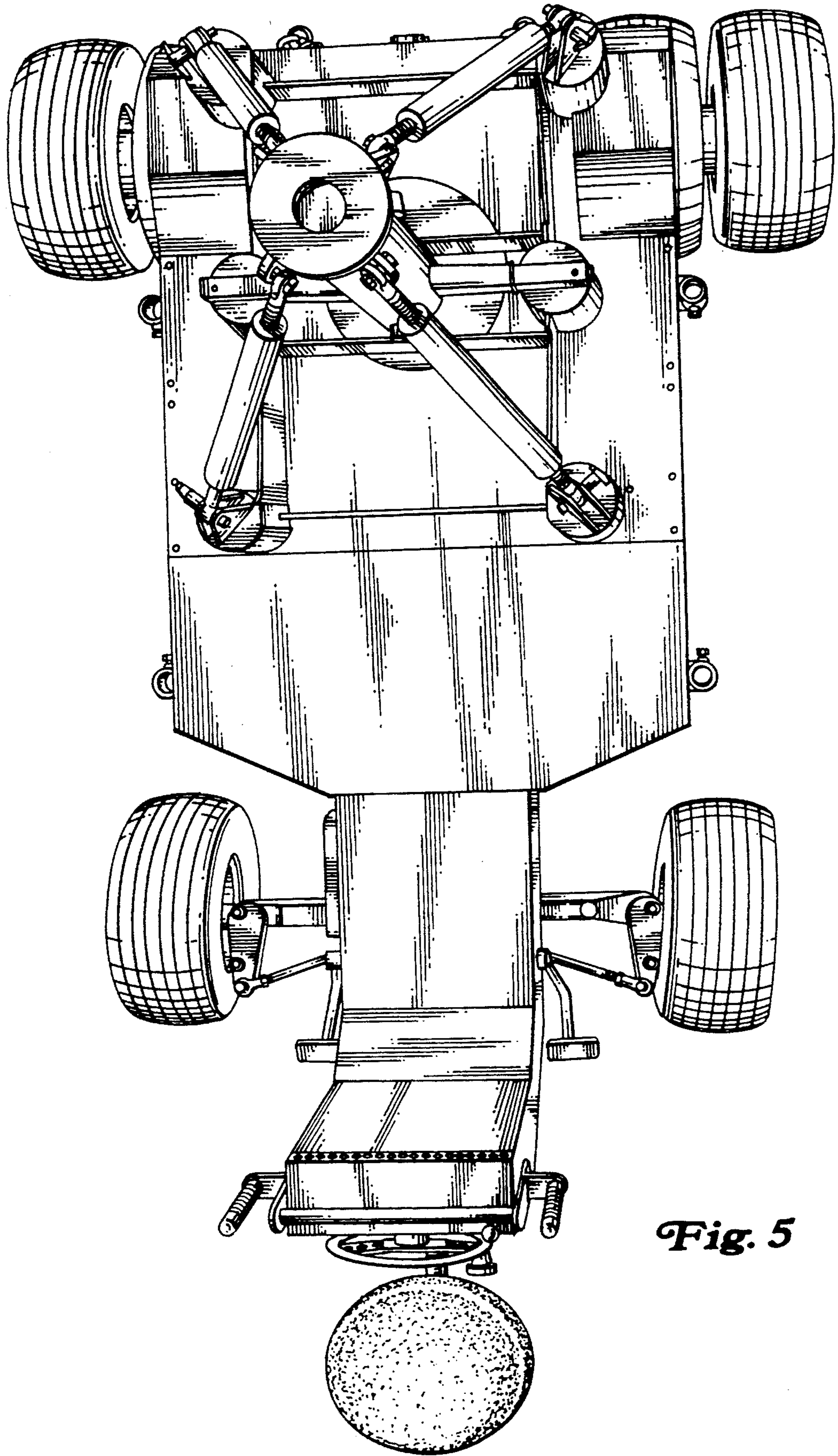


Fig. 5