



US00D378155S

United States Patent [19]

[11] Patent Number: **Des. 378,155**

Bartow et al.

[45] Date of Patent: ****Feb. 18, 1997**

[54] MOTORCYCLE LIFT

[76] Inventors: **Laurel E. Bartow; Doris E. Bartow**,
both of 5206 Kati Lynn Dr., Apopka,
Fla. 32712-6228

[**] Term: **14 Years**

[21] Appl. No.: **42,048**

[22] Filed: **Jul. 31, 1995**

[52] U.S. Cl. **D34/28**

[58] Field of Search D34/28, 33, 35,
D34/36, 23; D12/101, 406-408; 280/401,
402; 254/2 C, 8 R, 10 R, 45, 124, 88

[56] References Cited

U.S. PATENT DOCUMENTS

D. 344,835	3/1994	MacEachern	D34/28
4,071,222	1/1978	Wright	254/124
4,077,607	3/1978	Lovelady	254/88
4,088,303	5/1978	Aquila	254/124
4,681,299	7/1987	Siebert	254/124

Primary Examiner—A. Hugo Word
Assistant Examiner—Robin V. Taylor
Attorney, Agent, or Firm—Harpman & Harpman

[57] CLAIM

The ornamental design for a motorcycle lift, as shown and described.

DESCRIPTION

FIG. 1 is a front, top and side perspective view of the motorcycle lift embodying the design of the present invention;

FIG. 2 is a front elevational view thereof;

FIG. 3 is a rear elevational view thereof;

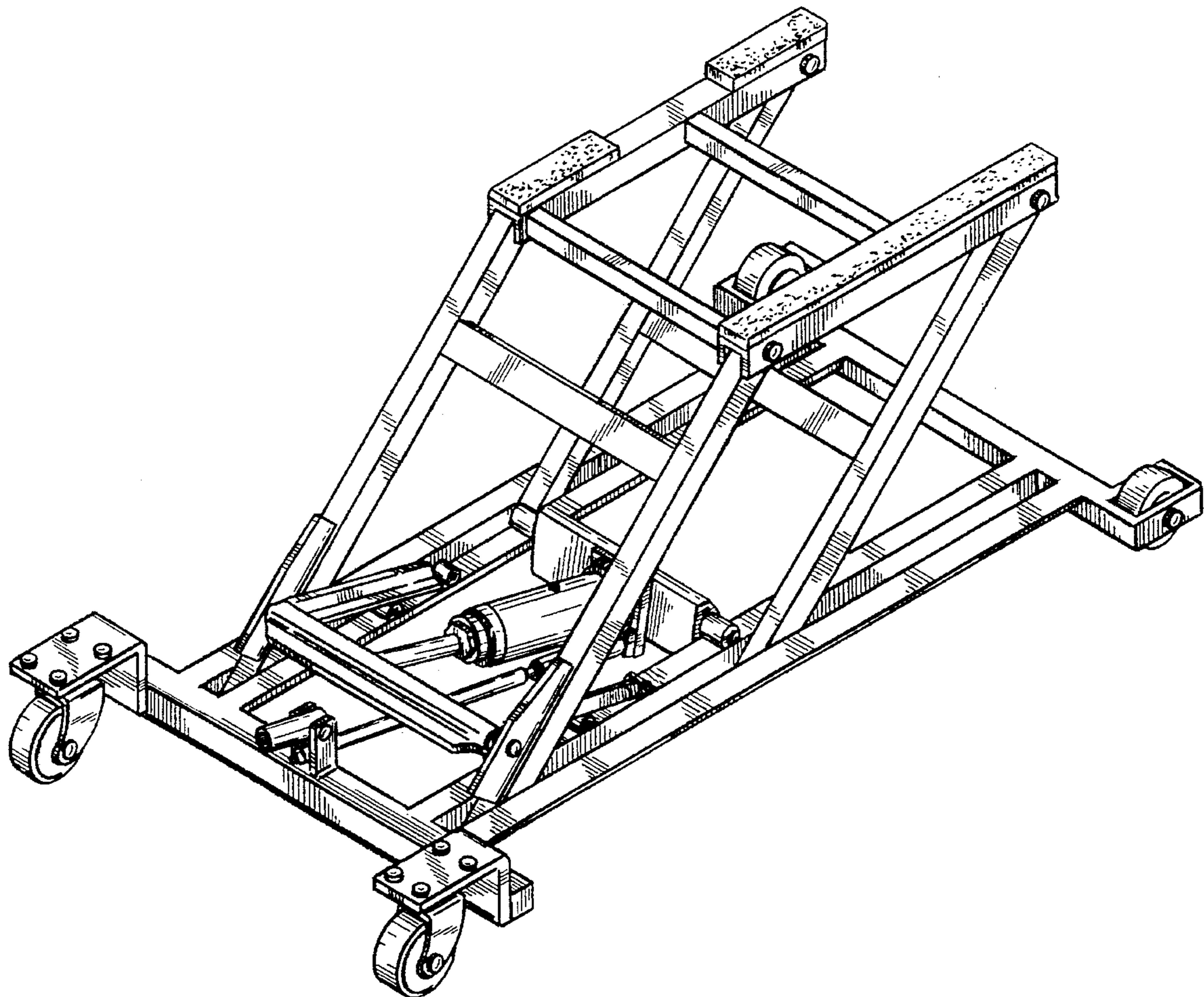
FIG. 4 is a right side elevational view thereof;

FIG. 5 is a left elevational view thereof;

FIG. 6 is a top plan view thereof; and,

FIG. 7 is a bottom plan view thereof.

1 Claim, 4 Drawing Sheets



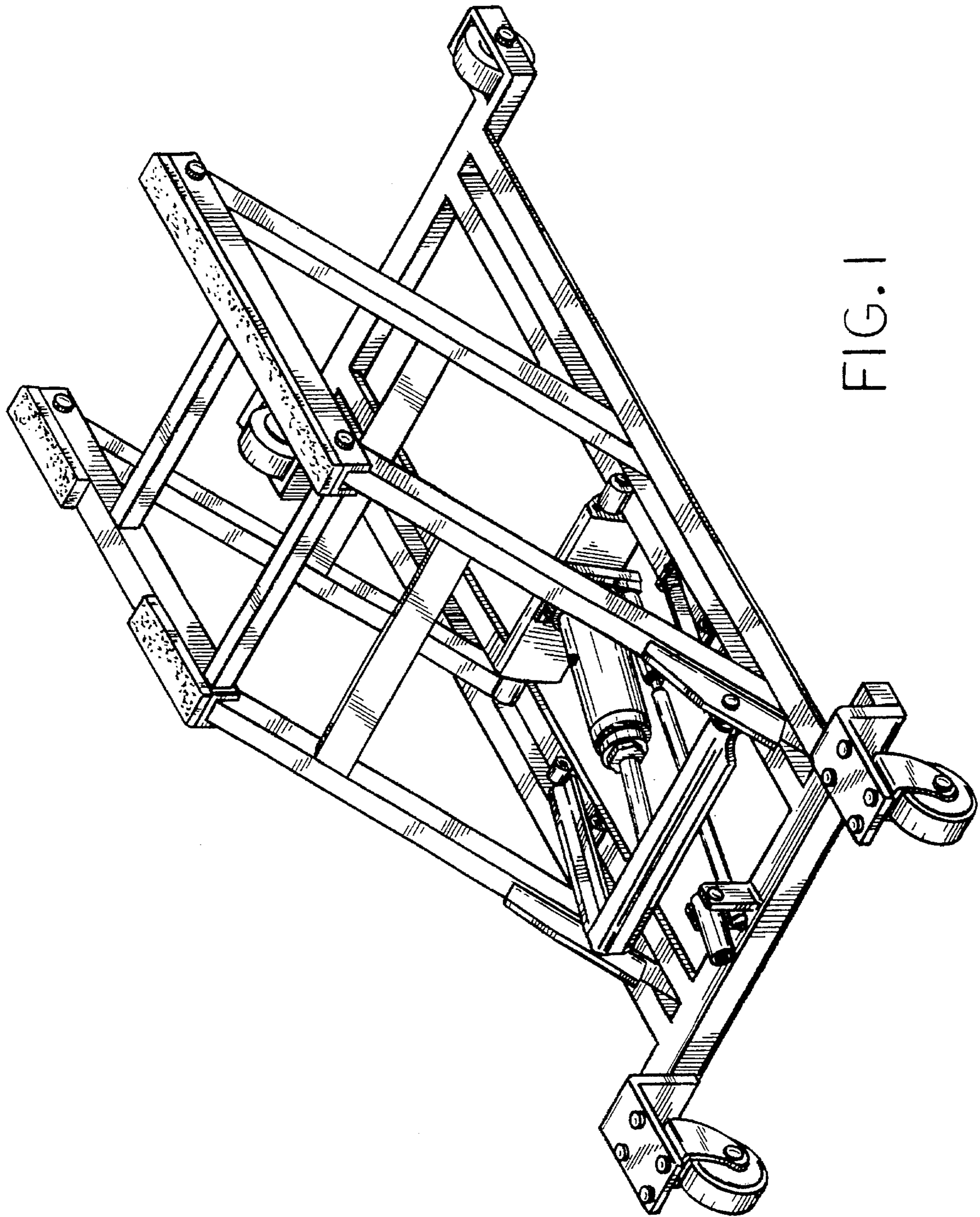


FIG. 1

FIG. 3

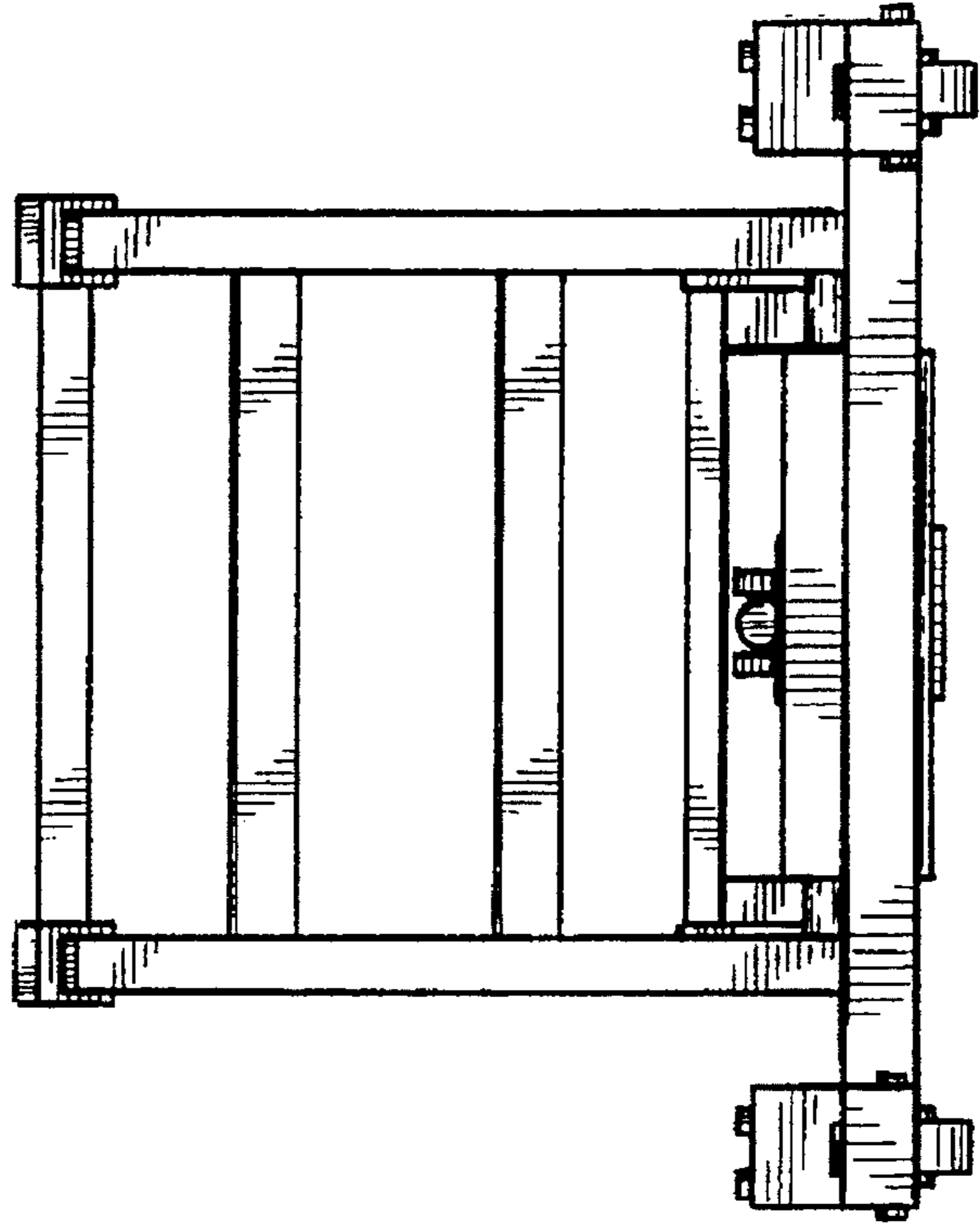


FIG. 2

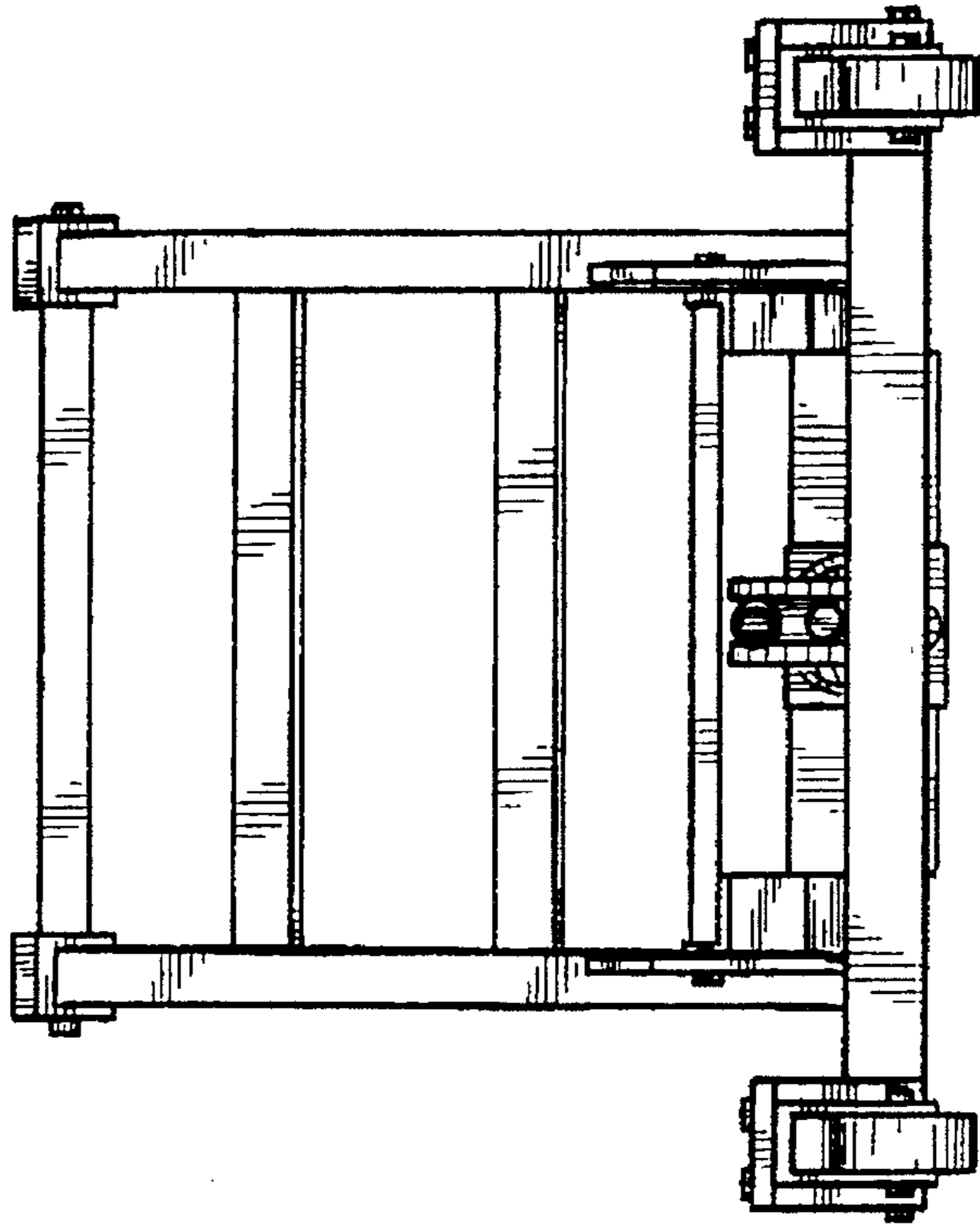


FIG.4

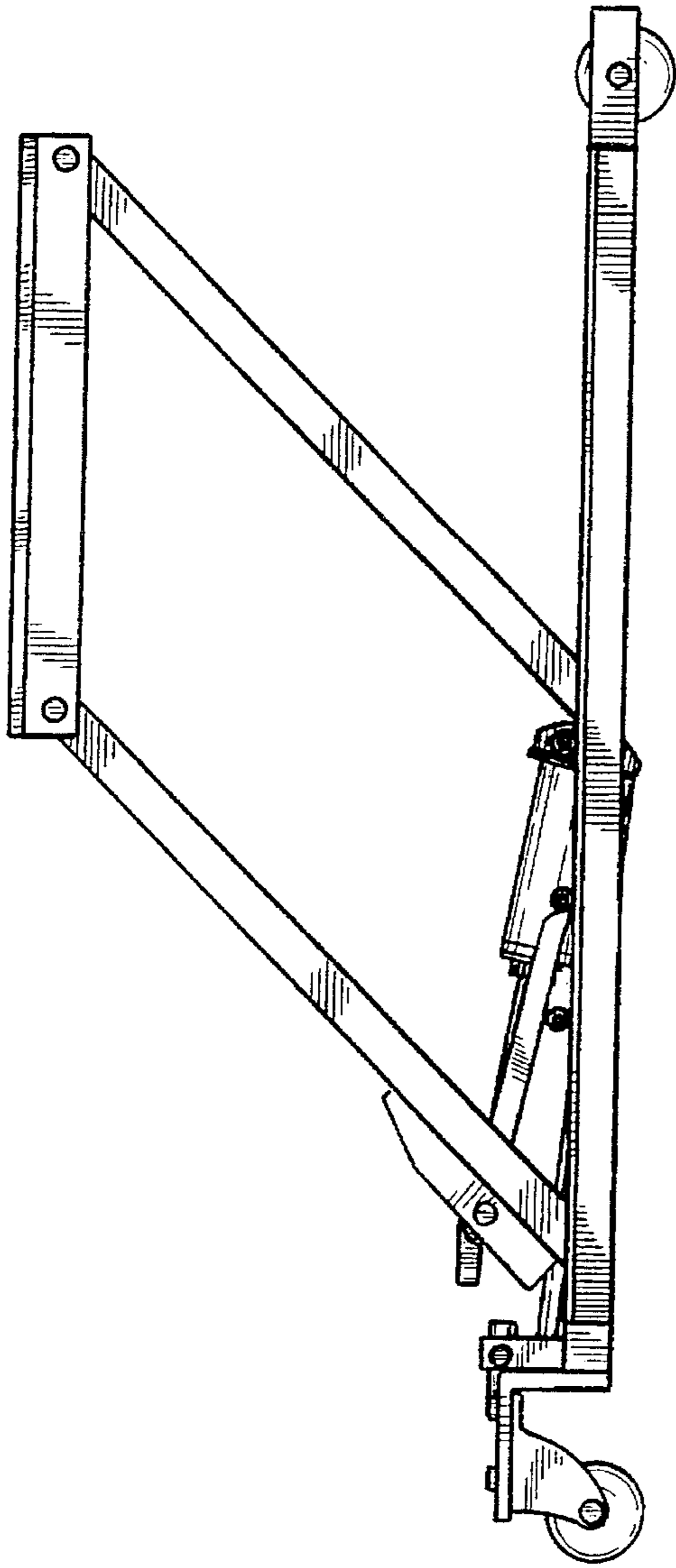
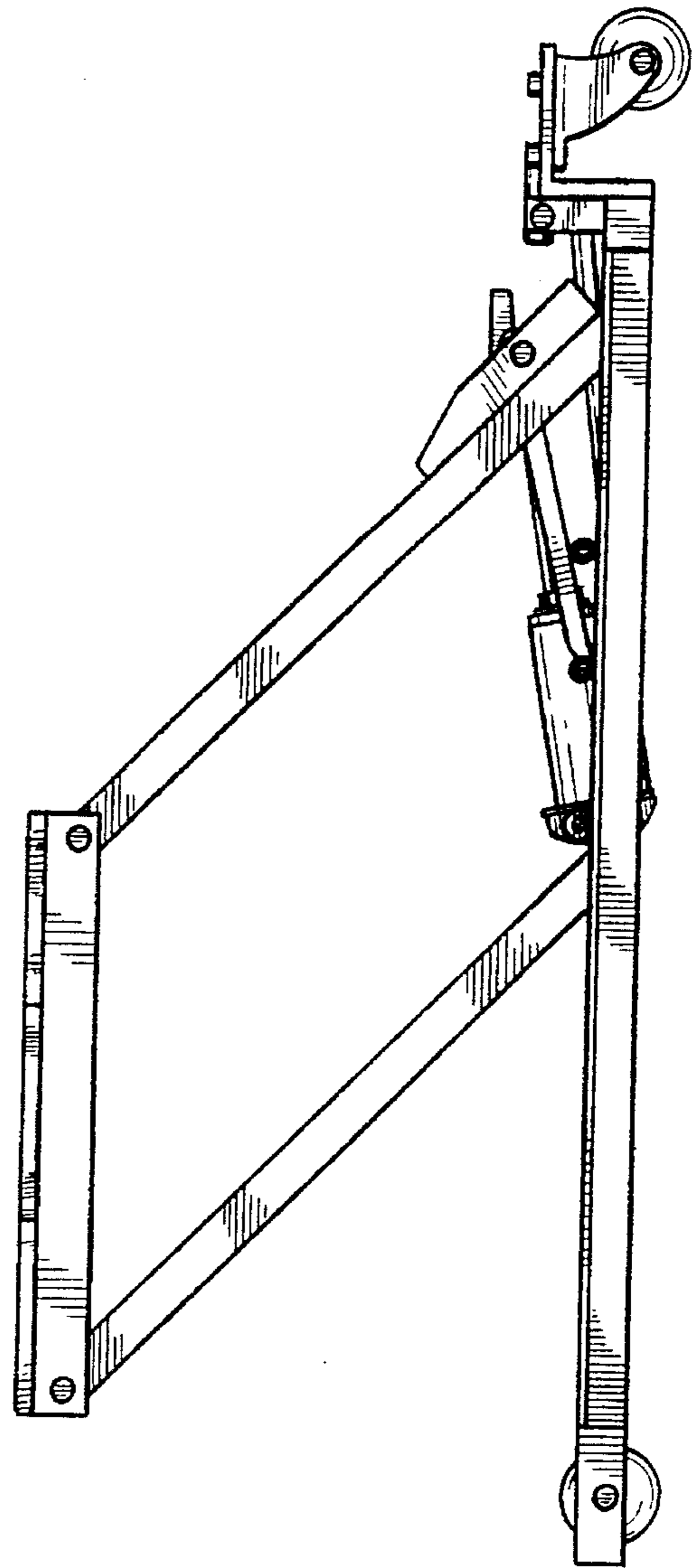


FIG.5



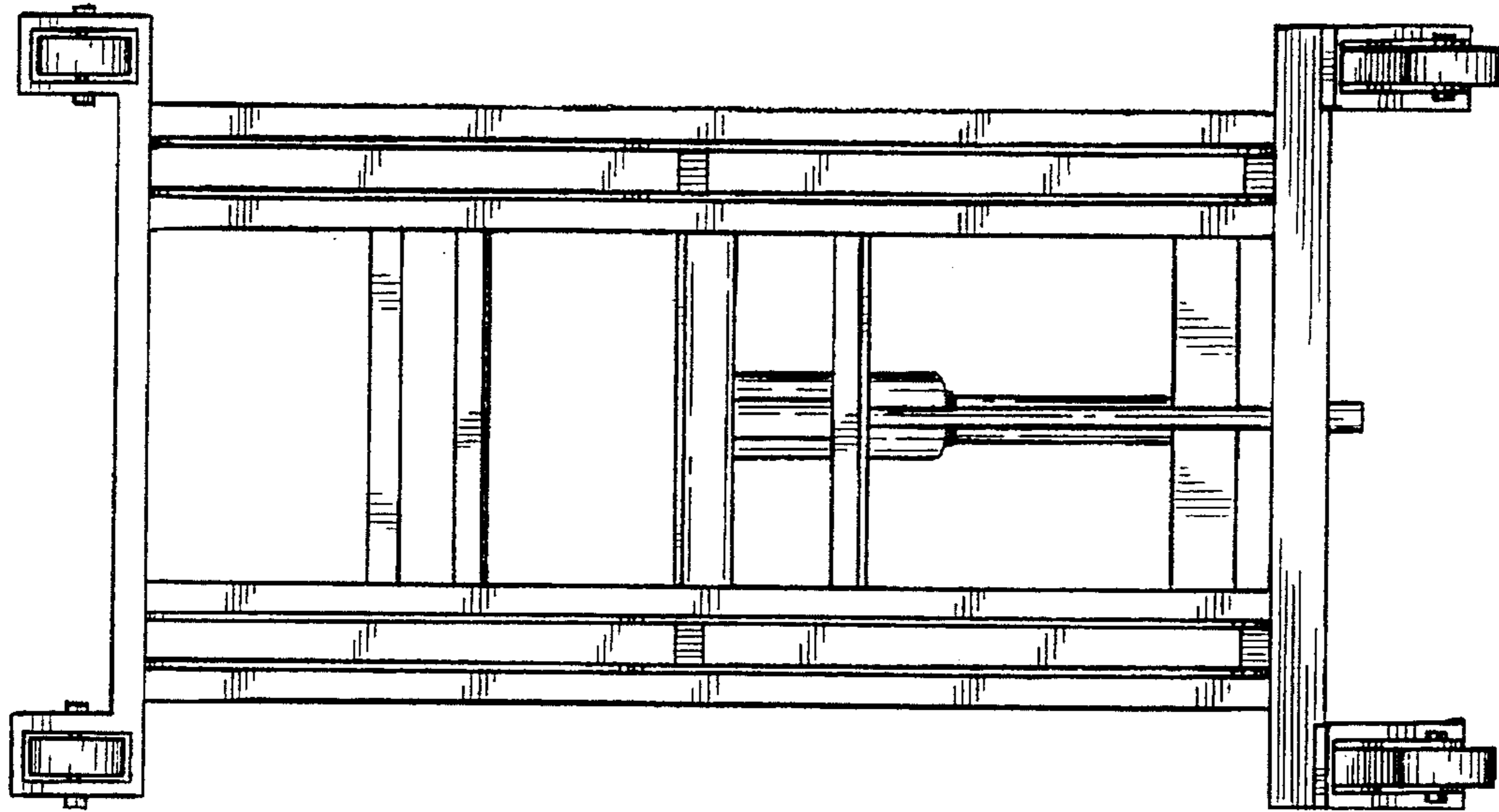


FIG. 7

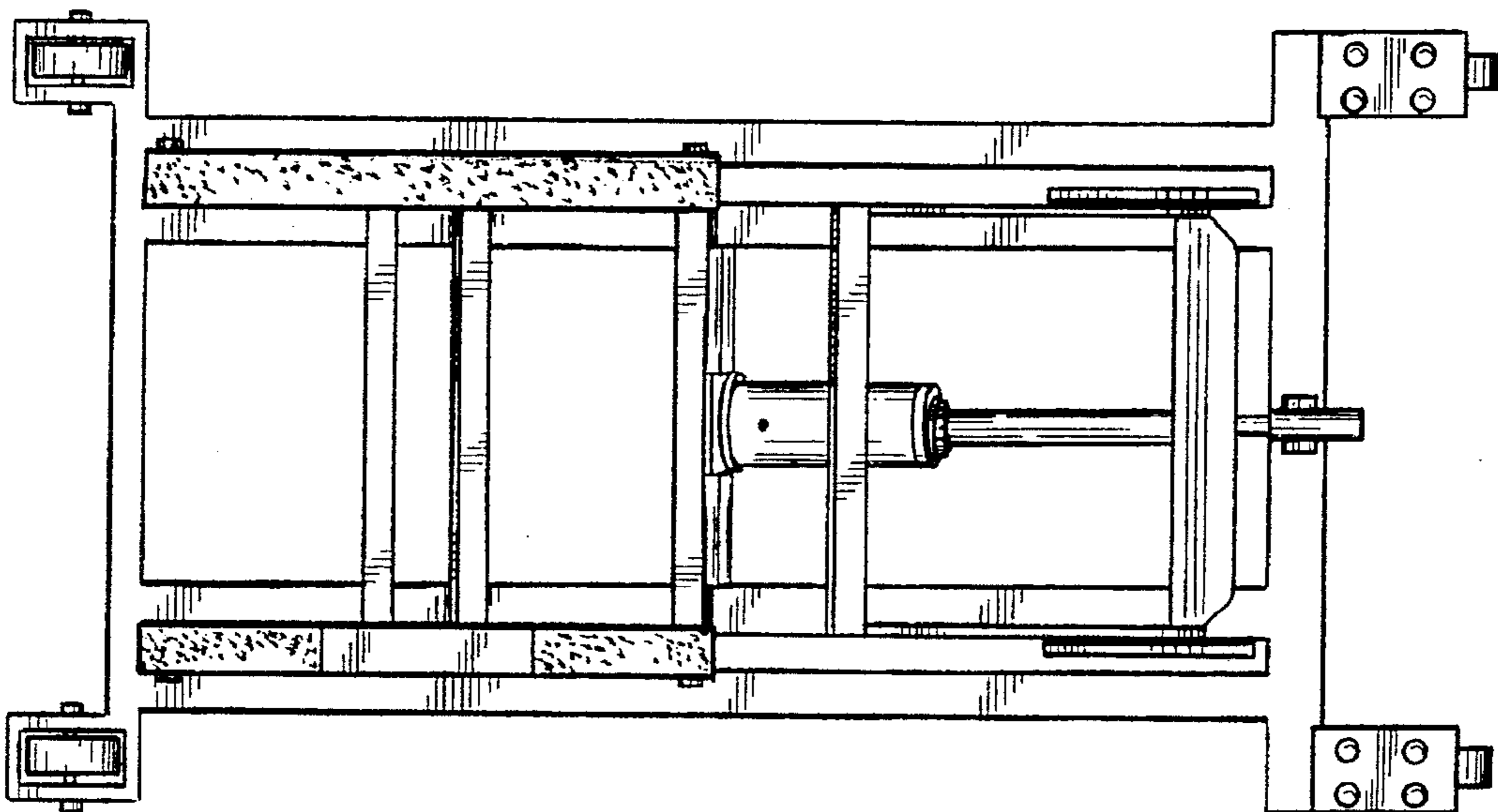


FIG. 6