



US00D378154S

United States Patent [19]

[11] **Patent Number: Des. 378,154**

Presnell

[45] **Date of Patent: **Feb. 18, 1997**

[54] **REFUSE CONTAINER DOLLY**

[75] Inventor: **Donald C. Presnell**, Stephens City, Va.

[73] Assignee: **Rubbermaid Commercial Products Inc.**, Winchester, Va.

[**] Term: **14 Years**

[21] Appl. No.: **43,113**

[22] Filed: **Aug. 25, 1995**

[52] U.S. Cl. **D34/23; D34/10**

[58] Field of Search **D34/23, 27, 12, D34/10; 280/79.2, 79.11, 79.3, 47, 34, 651**

[56] **References Cited**

U.S. PATENT DOCUMENTS

D. 251,833	5/1979	Maza et al.	D12/31
D. 253,932	1/1980	Mockler	D7/194
D. 256,902	9/1980	Maza et al.	D12/31
D. 257,721	12/1980	Maza et al.	D12/31
D. 257,767	1/1981	Maza et al.	D12/31
D. 257,823	1/1981	Maza et al.	D12/31
D. 321,965	11/1991	Delmerico et al.	D34/23
D. 327,557	6/1992	Juergens	D34/1
D. 327,756	7/1992	Klein et al.	D34/1
D. 328,172	7/1992	Juergens	D34/23
D. 349,995	8/1994	Cassel et al.	D34/23
926,288	6/1909	Rice .	
2,689,469	9/1954	Happe et al.	65/61
4,222,580	9/1980	Krokonko	280/47.34
4,313,612	2/1982	Rubens	280/79.1
4,930,653	6/1990	Machado	220/23.4
5,074,572	12/1991	Delmerico et al.	280/47.34

FOREIGN PATENT DOCUMENTS

506025	9/1954	Canada .
2264595	3/1972	Germany .
154659	3/1954	Sweden .

OTHER PUBLICATIONS

Pp. 2 and 4, Refuse container dollies; Continental Manufacturing Company, 123 Byassee Drive, Hazelwood, Missouri 63042. Published at least as early as Oct. 1994.

Sell sheet, Refuse container dollies; Tucker Housewares, 25 Tucker Drive, Leominster, Massachusetts 01453. Published at least as early as May, 1994.

Sell sheet, Refuse container dolly; White, 10770 North 46th Street, Tampa, Florida 33617. Publication date June 1, 1988.

P. 16, Refuse container dolly; Rubbermaid Incorporated, 3124 Valley Avenue, Winchester, Virginia 22601. Publication date 1990.

Primary Examiner—Kay H. Chin

Attorney, Agent, or Firm—Richard B. O'Planick; Lisa B. Riedesel

[57] **CLAIM**

The ornamental design for a refuse container dolly, as shown and described.

DESCRIPTION

FIG. 1 is a top left perspective view of a refuse container dolly showing my new design;

FIG. 2 is a top plan view thereof;

FIG. 3 is a left side elevational view thereof;

FIG. 4 is a right side elevational view thereof;

FIG. 5 is a front elevational view thereof;

FIG. 6 is a rear elevational view thereof;

FIG. 7 is a bottom plan view thereof;

FIG. 8 is a top left front perspective view of the subject invention, shown with the environmental unclaimed features removed;

FIG. 9 is a top plan view of FIG. 8;

FIG. 10 is a left side elevational view of FIG. 8;

FIG. 11 is a right side elevational view of FIG. 8;

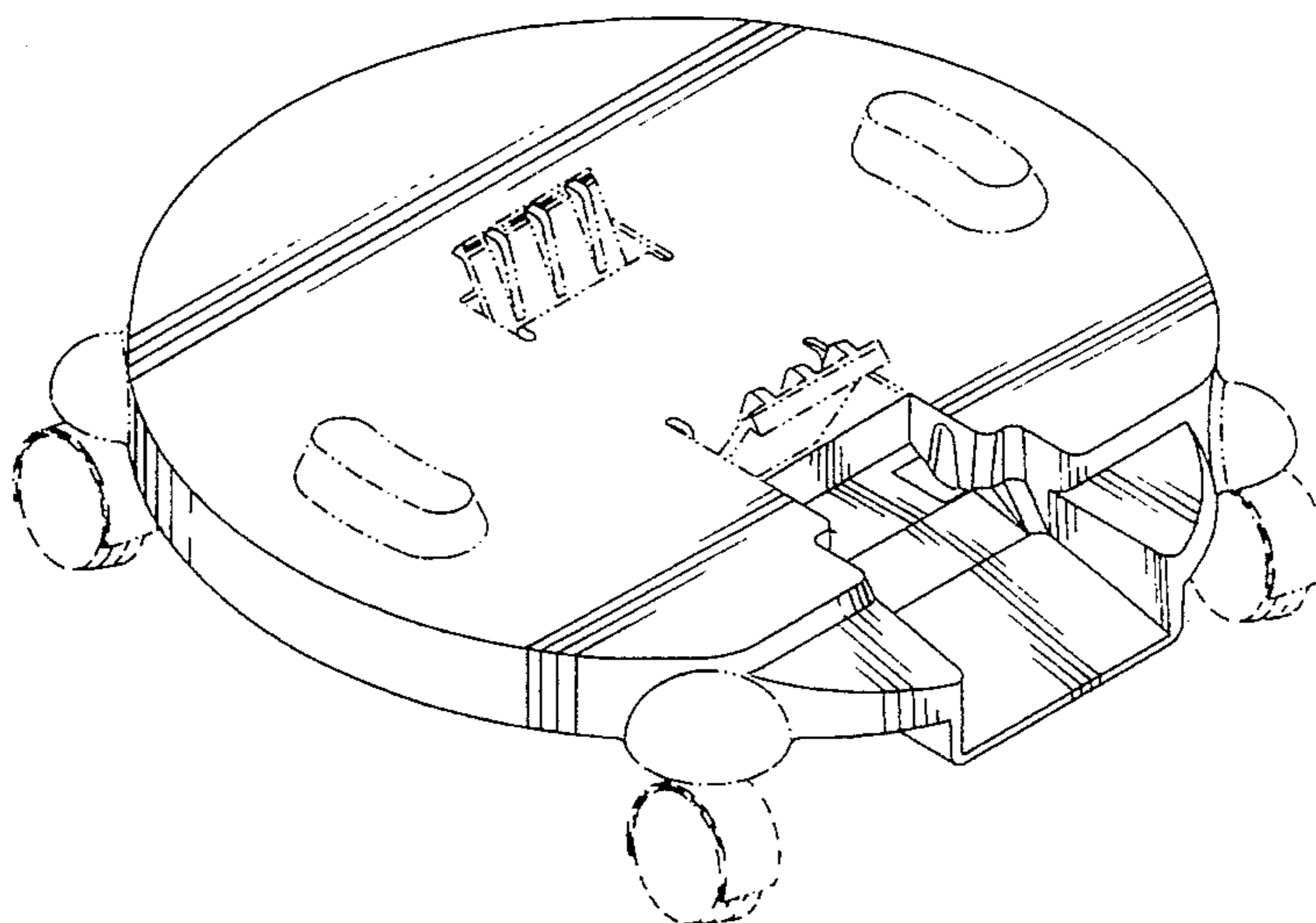
FIG. 12 is a front elevational view of FIG. 8;

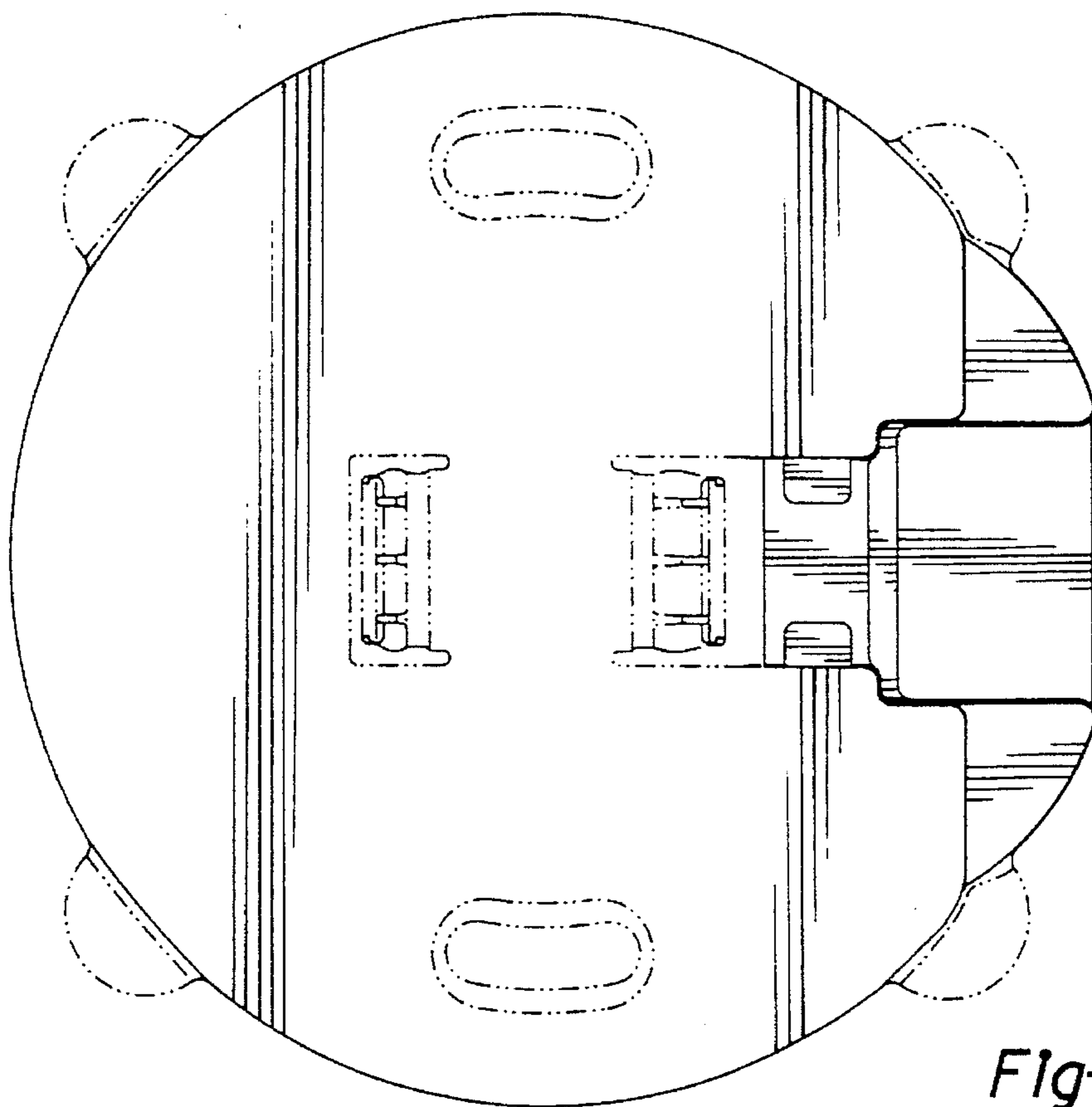
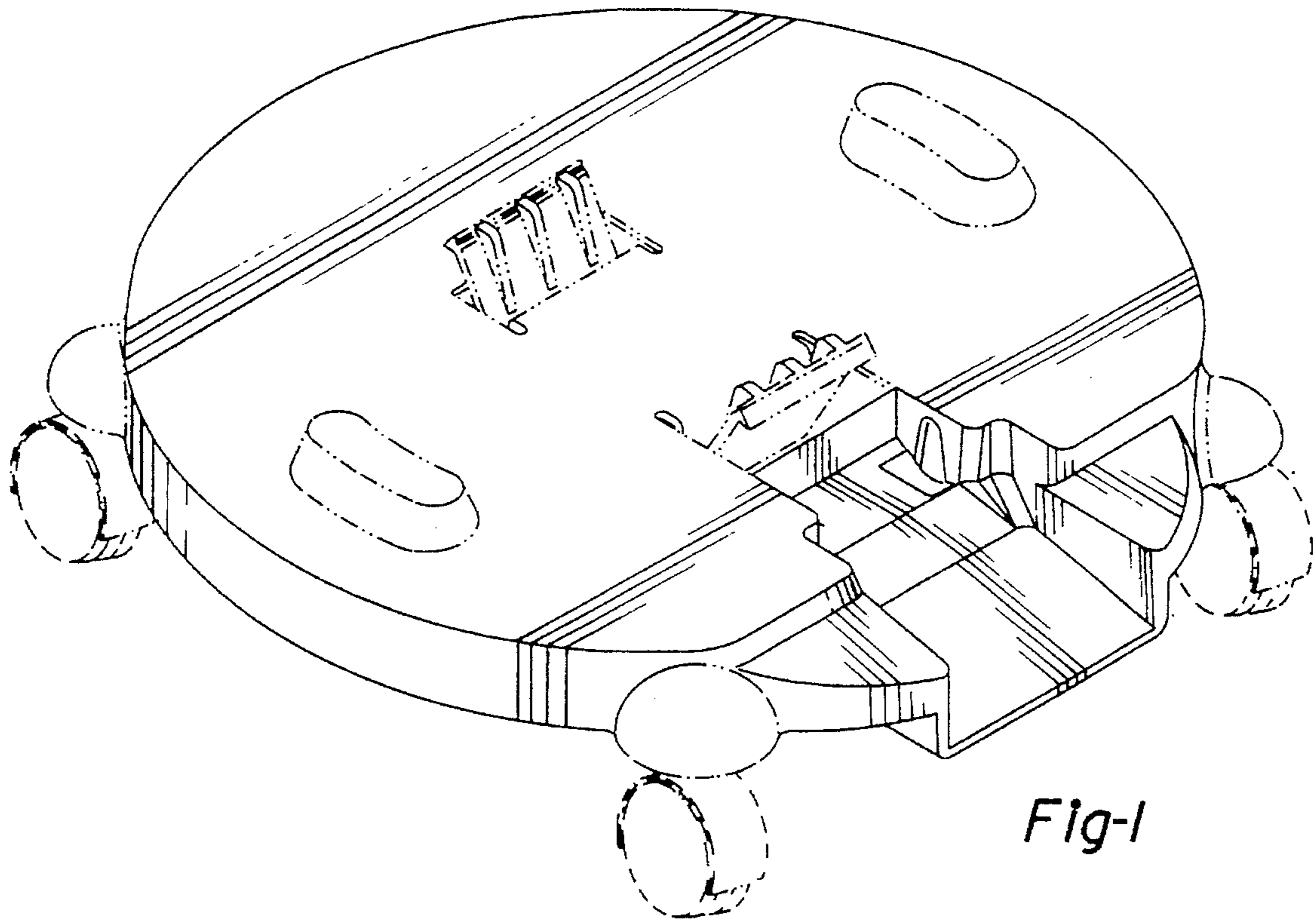
FIG. 13 is a rear elevational view of FIG. 8; and,

FIG. 14 is a bottom plan view of FIG. 8.

The broken lines are for illustrative purposes only and form no part of the claimed design.

1 Claim, 6 Drawing Sheets





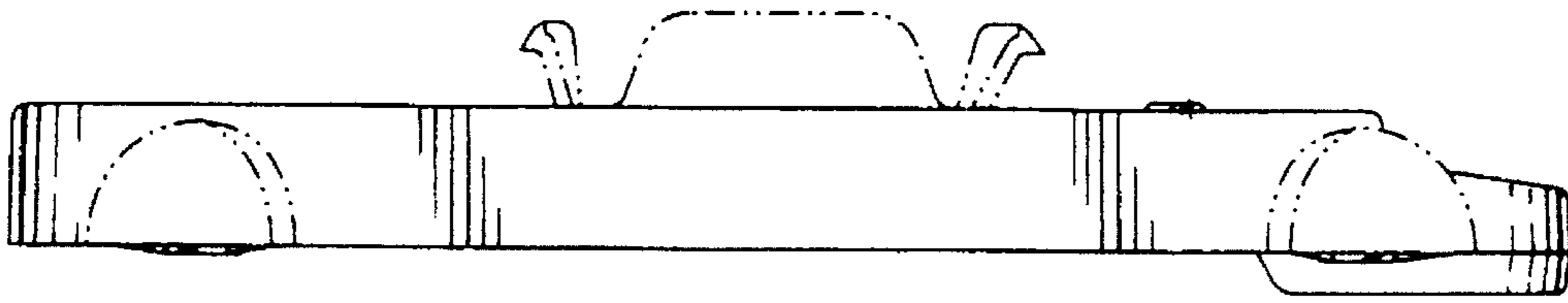


Fig-3

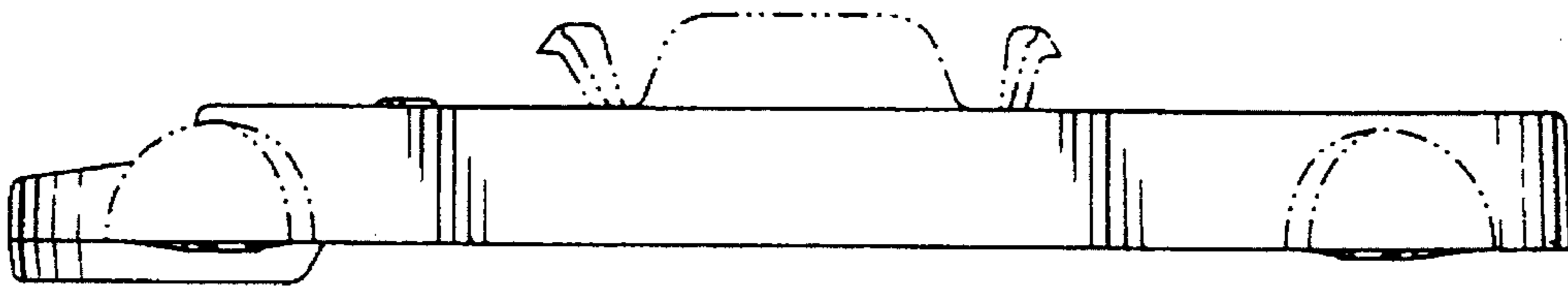


Fig-4

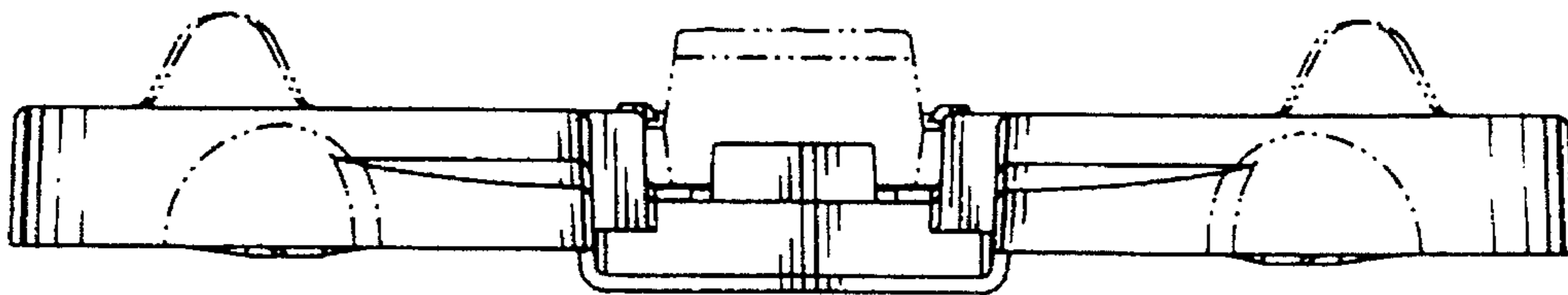


Fig-5

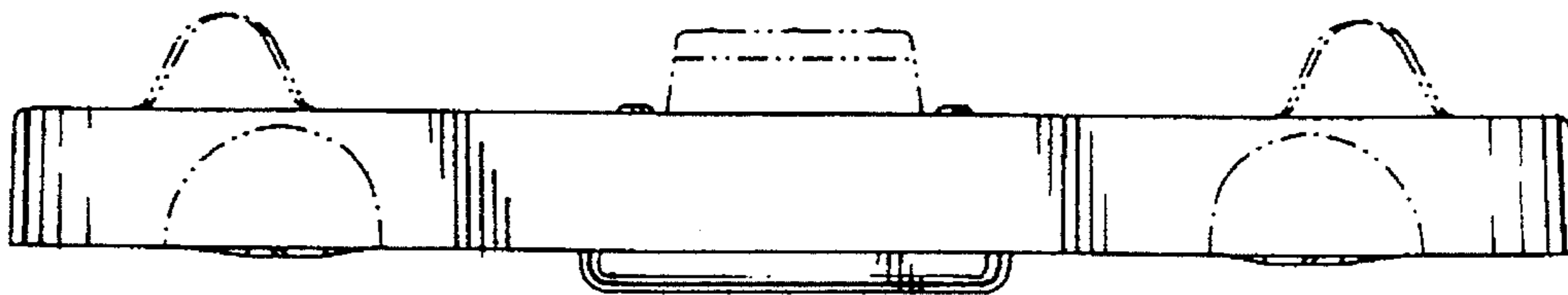


Fig-6

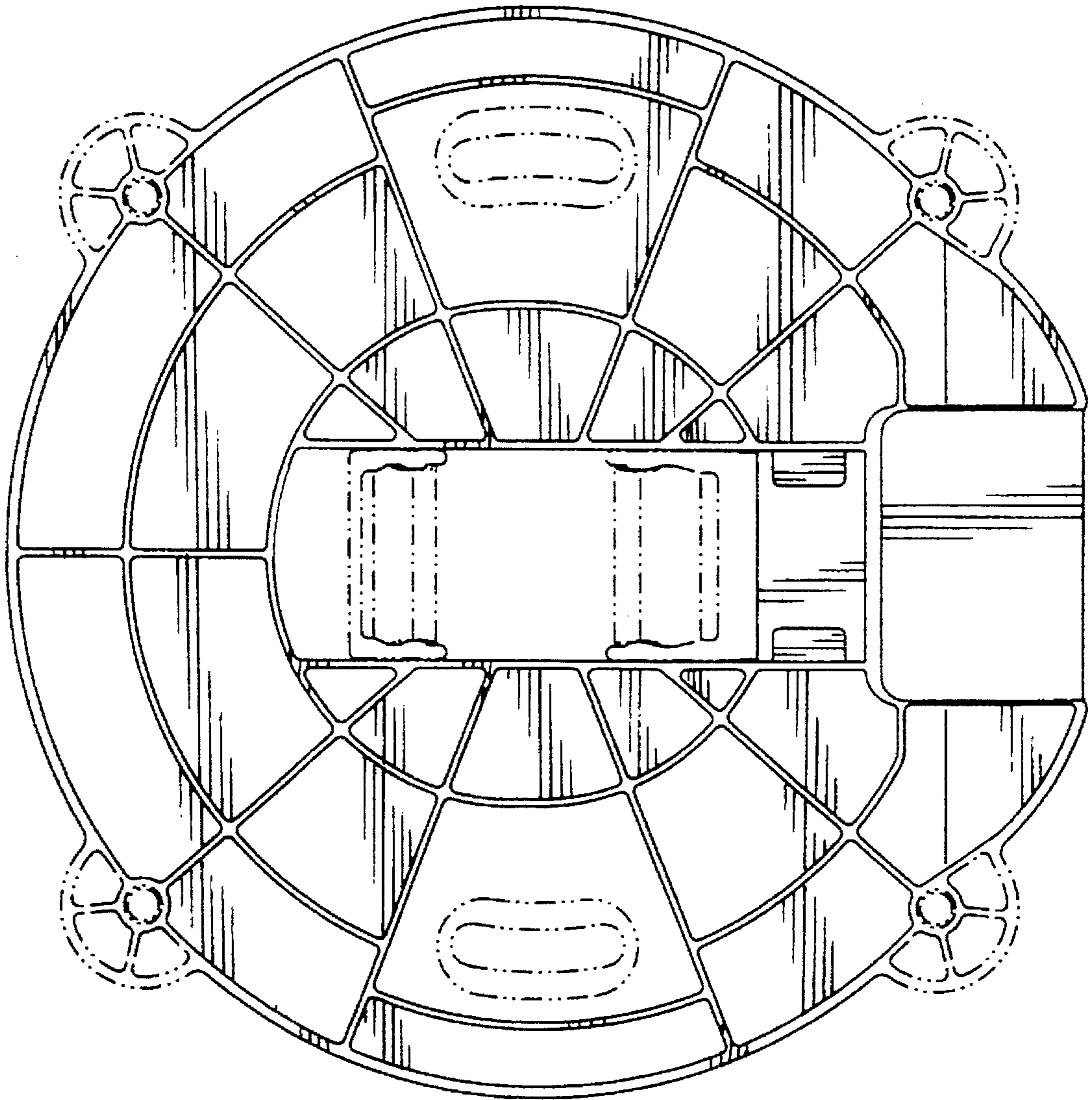


Fig-7

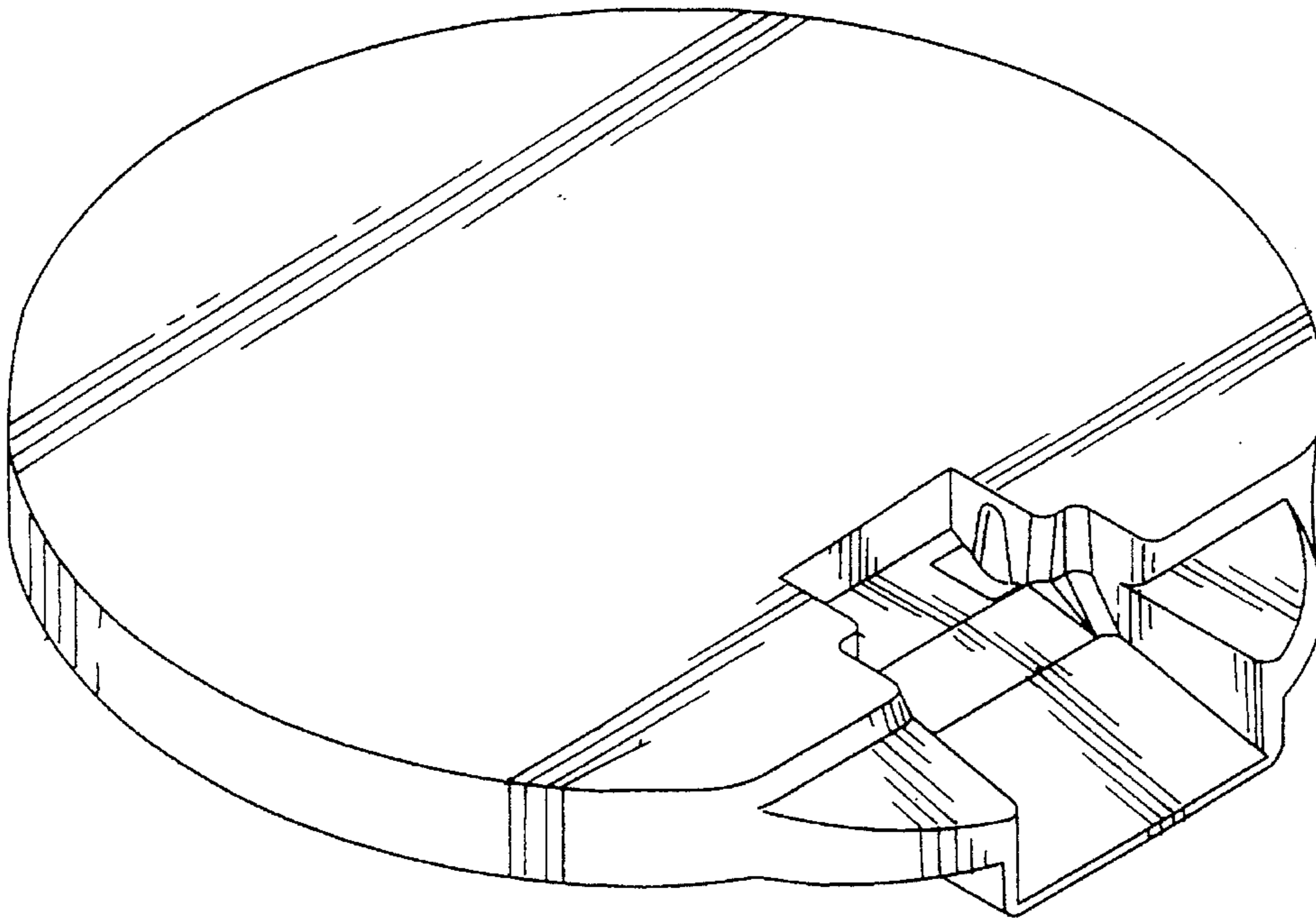


Fig-8

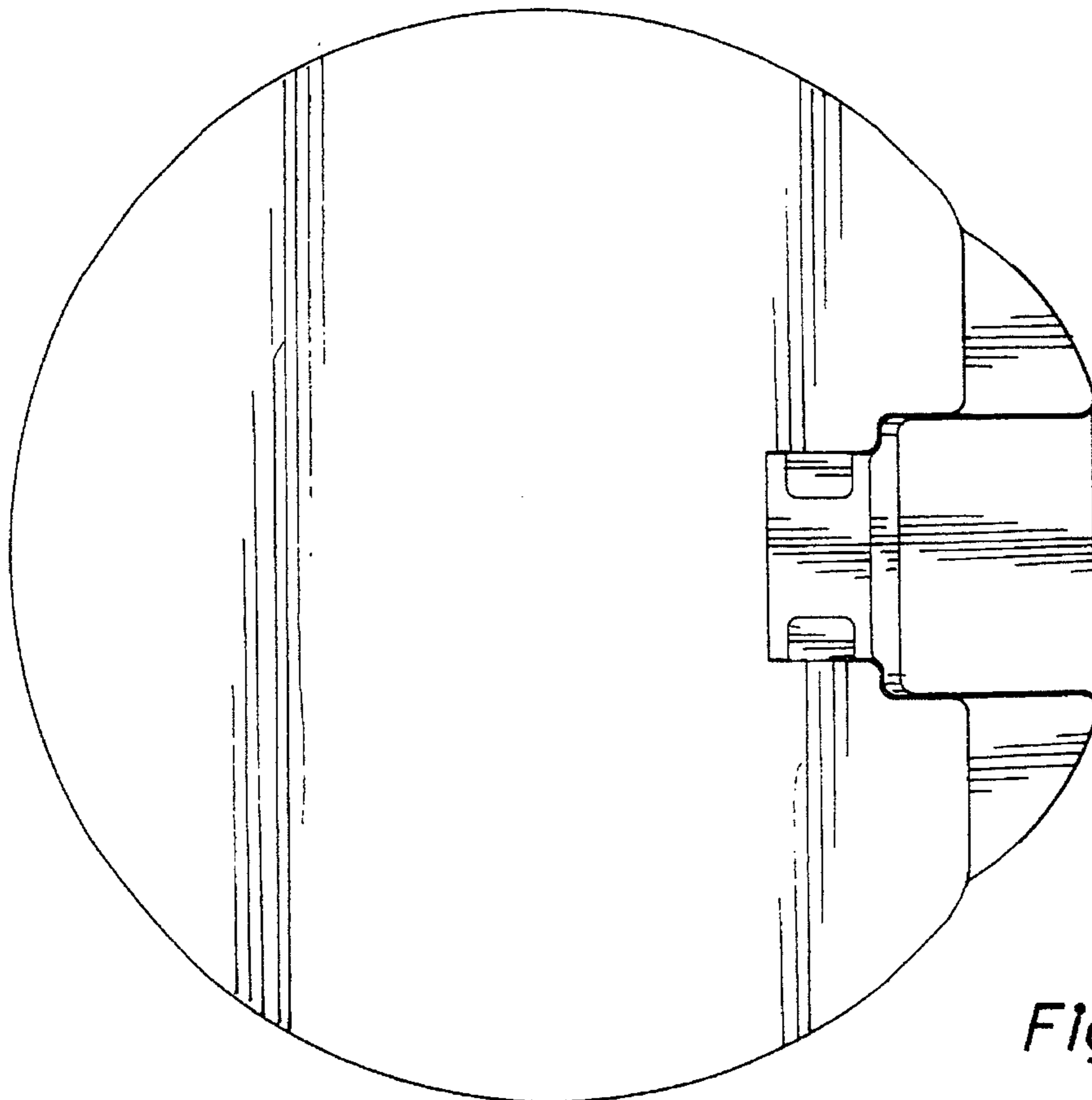


Fig-9

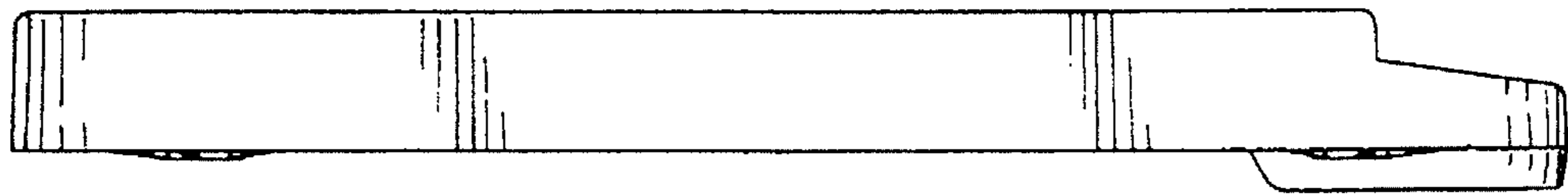


Fig-10

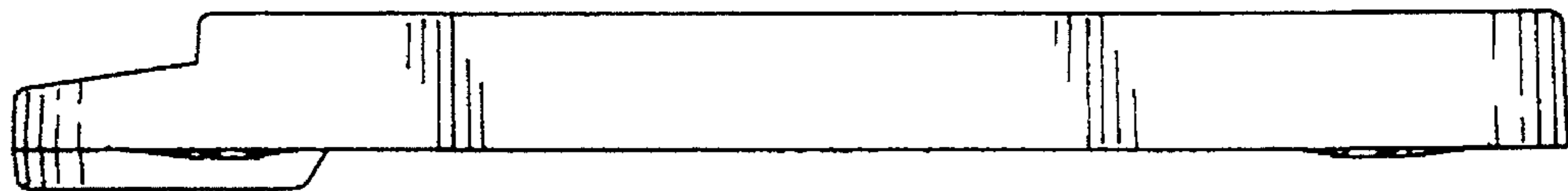


Fig-11

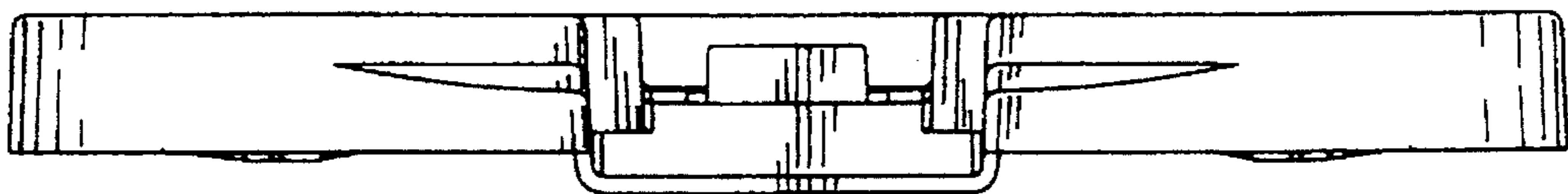


Fig-12

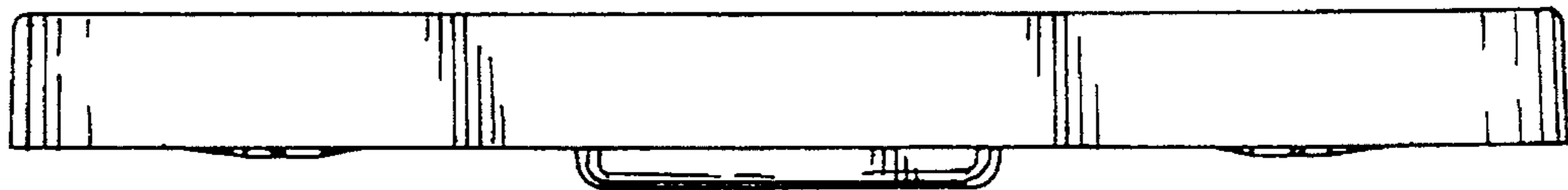


Fig-13

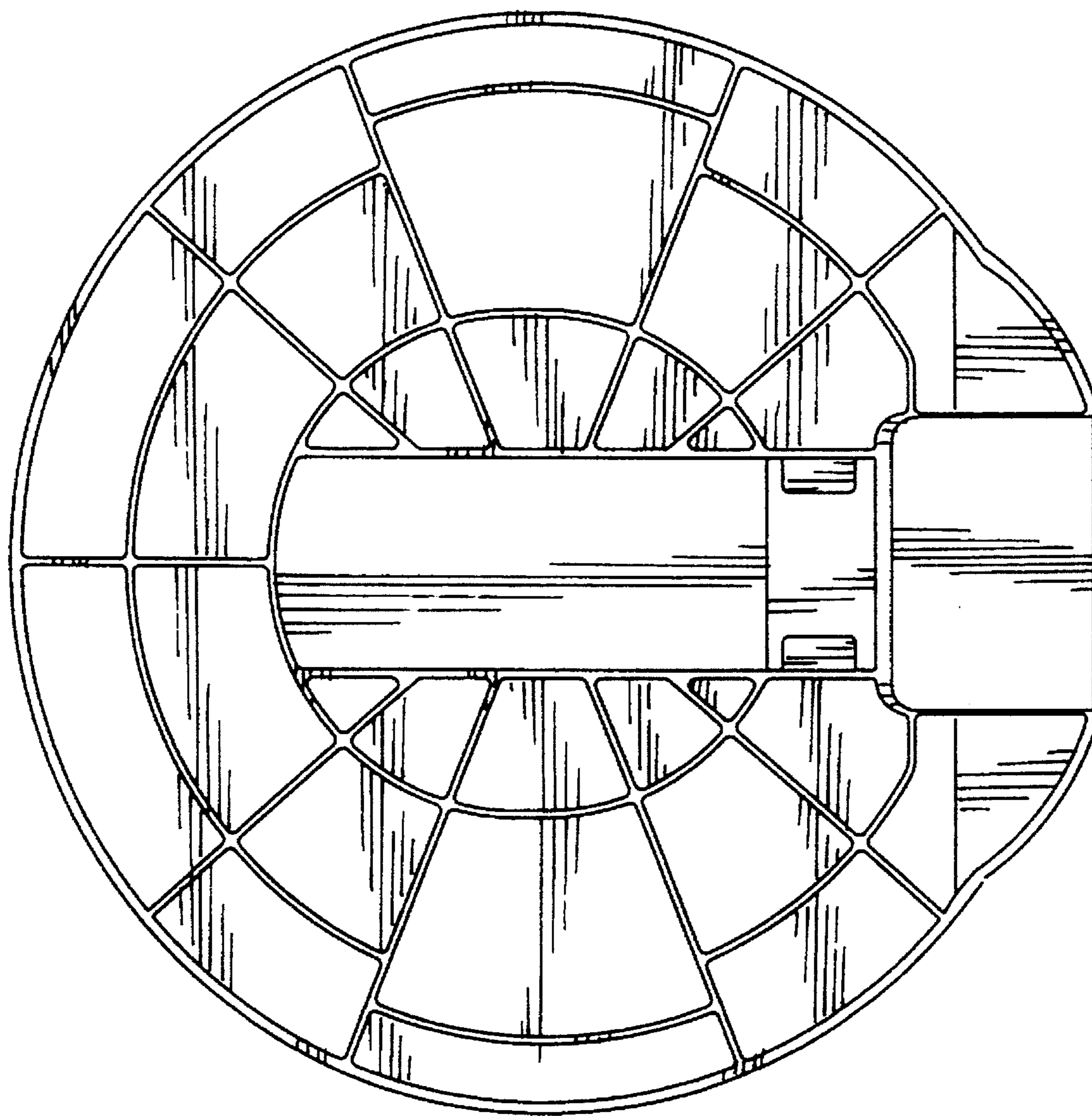


Fig-14