

United States Patent [19]

deBlois et al.

[11] Patent Number: **Des. 378,152**

[45] Date of Patent: ****Feb. 18, 1997**

[54] **VACUUM CLEANER**

[75] Inventors: **Bryan P. deBlois**, Guilford; **Richard J. Carbone**, Southbury; **David W. Kaiser**, North Haven; **Daniel Haberstich**, Rocky Hill, all of Conn.

[73] Assignee: **Black & Decker Inc.**, Newark, Del.

[**] Term: **14 Years**

[21] Appl. No.: **45,799**

[22] Filed: **Oct. 30, 1995**

[52] U.S. Cl. **D32/21**

[58] Field of Search D32/1, 21, 23, D32/24; 15/327.1, 327.2, 327.4, 320, 321, 323, 353, 352, 347; 43/139; D30/158

[56] **References Cited**

U.S. PATENT DOCUMENTS

- D. 182,364 3/1958 Jepson et al. .
- D. 187,065 1/1960 Chapman D32/23
- D. 210,096 2/1968 Rogers et al. .
- D. 212,257 9/1968 Schaefer et al. .
- D. 214,340 6/1969 Schaefer et al. .
- D. 233,645 11/1974 Diehl .
- D. 233,646 11/1974 Diehl .
- D. 233,647 11/1974 Diehl .
- D. 256,245 8/1980 Essex et al. .
- D. 256,246 8/1980 Essex .
- D. 258,821 4/1981 Warehem et al. .
- D. 272,568 2/1984 Kuhl D30/158
- D. 289,213 4/1987 Perkins .

- D. 307,067 4/1990 Kuhl et al. D30/158
- D. 309,049 7/1990 Sid et al. D30/158
- D. 312,714 12/1990 Simonelli et al. .
- D. 313,094 12/1990 Itaya et al. .
- D. 324,592 3/1992 Klingspor et al. .
- D. 326,744 6/1992 LeClair D30/158
- D. 338,293 8/1993 Kojima et al. .
- D. 344,373 2/1994 Haverkamp .
- D. 368,342 8/1994 Founds D30/158
- 3,135,987 6/1964 Huch D22/1
- 3,480,987 12/1969 Schaefer .
- 3,490,089 1/1970 Lagerstrom .
- 3,510,904 5/1970 Lagerstrom .
- 3,973,936 8/1976 Howard et al. .
- 4,485,583 12/1984 Planty .

Primary Examiner—Ruth McInroy
Attorney, Agent, or Firm—Barry E. Deutsch

[57] **CLAIM**

The ornamental design for a vacuum cleaner, as shown and described.

DESCRIPTION

FIG. 1 is a perspective view of a vacuum cleaner taken from the front, top and right side thereof, showing our new design; FIG. 2 is a rear elevational view thereof; FIG. 3 is a top plan view thereof; FIG. 4 is a bottom plan view thereof; FIG. 5 is a front elevational view thereof; FIG. 6 is a left side elevational view thereof; and, FIG. 7 is a right side elevational view thereof.

1 Claim, 4 Drawing Sheets

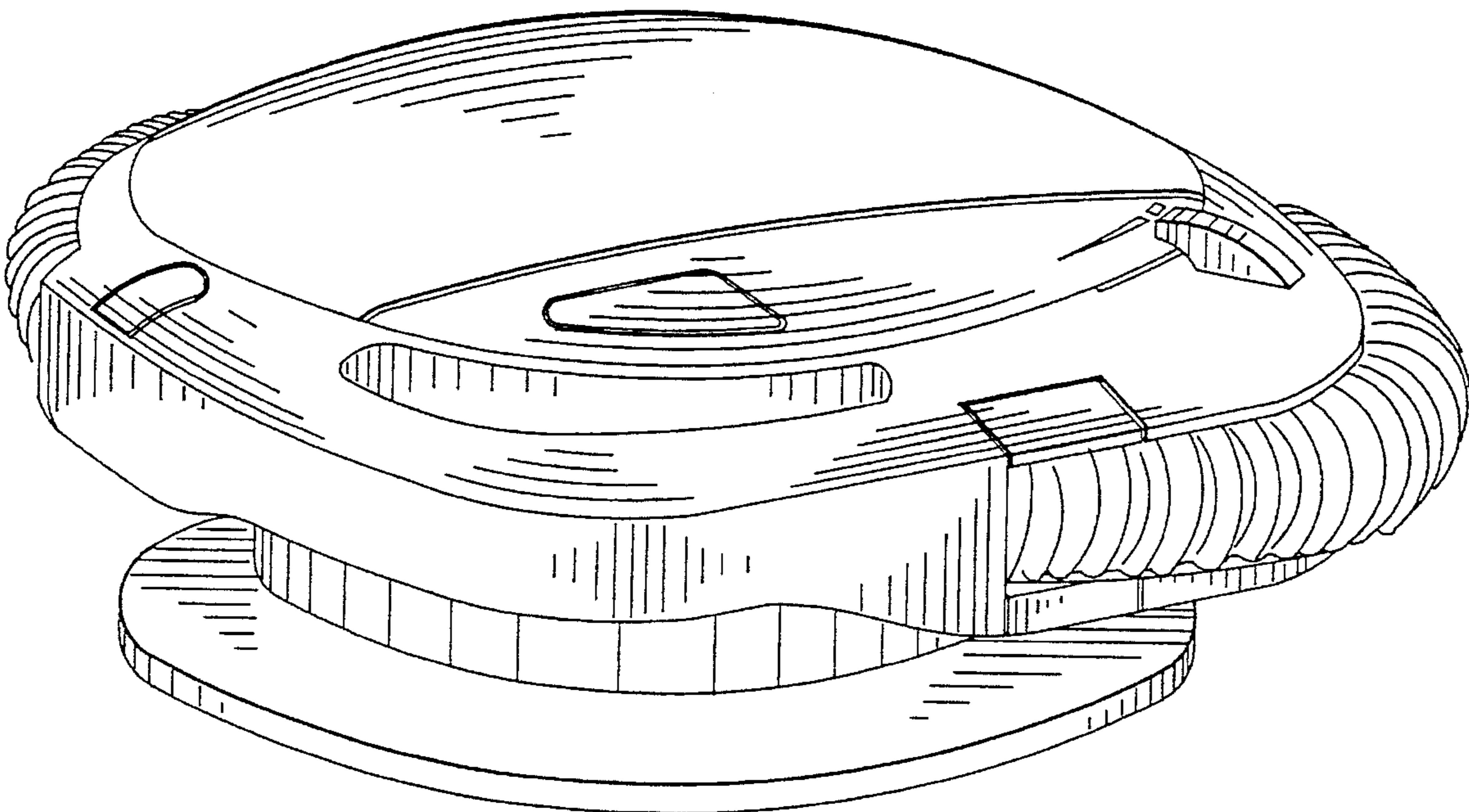


FIG. 1

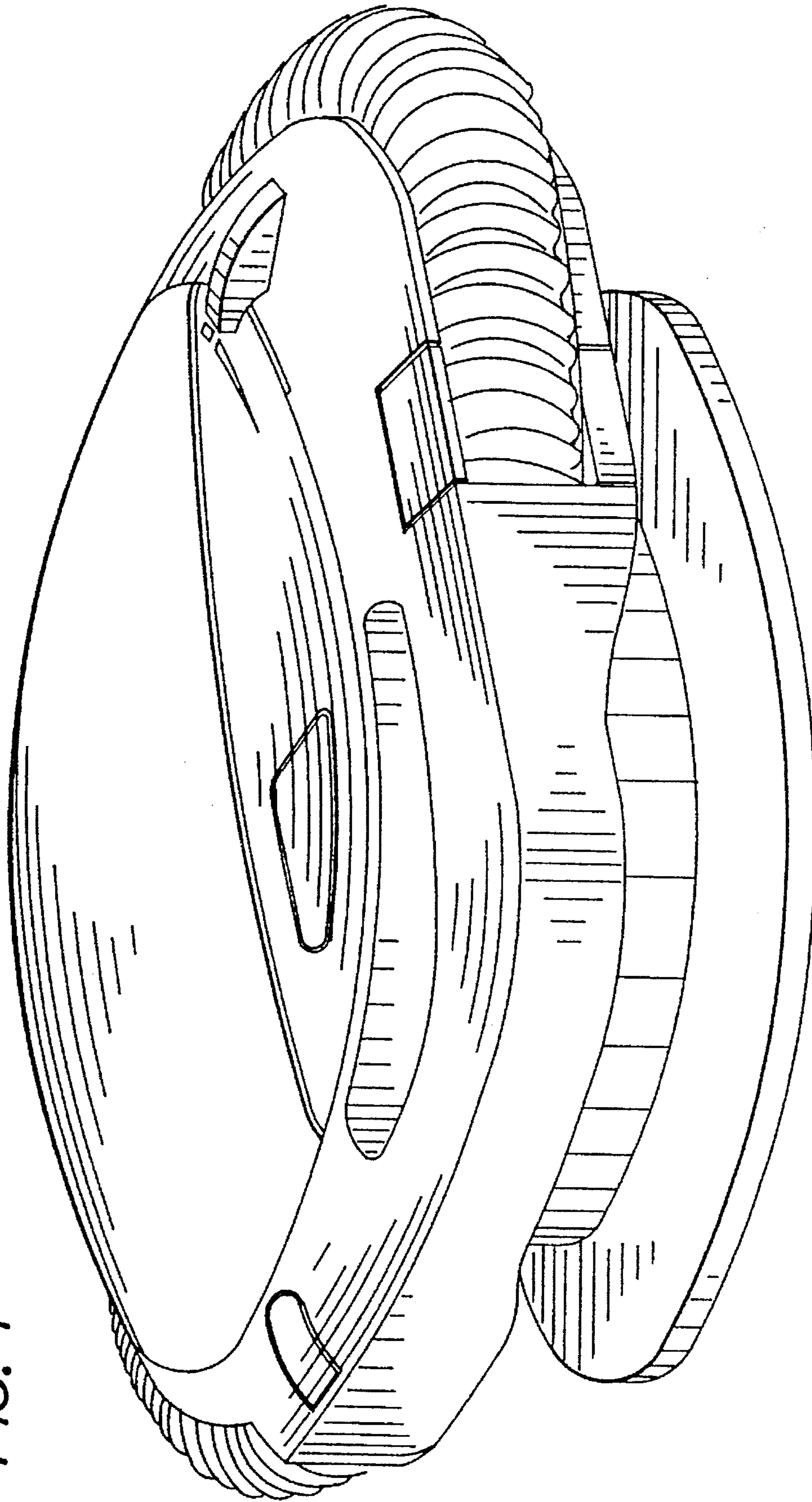


FIG. 2

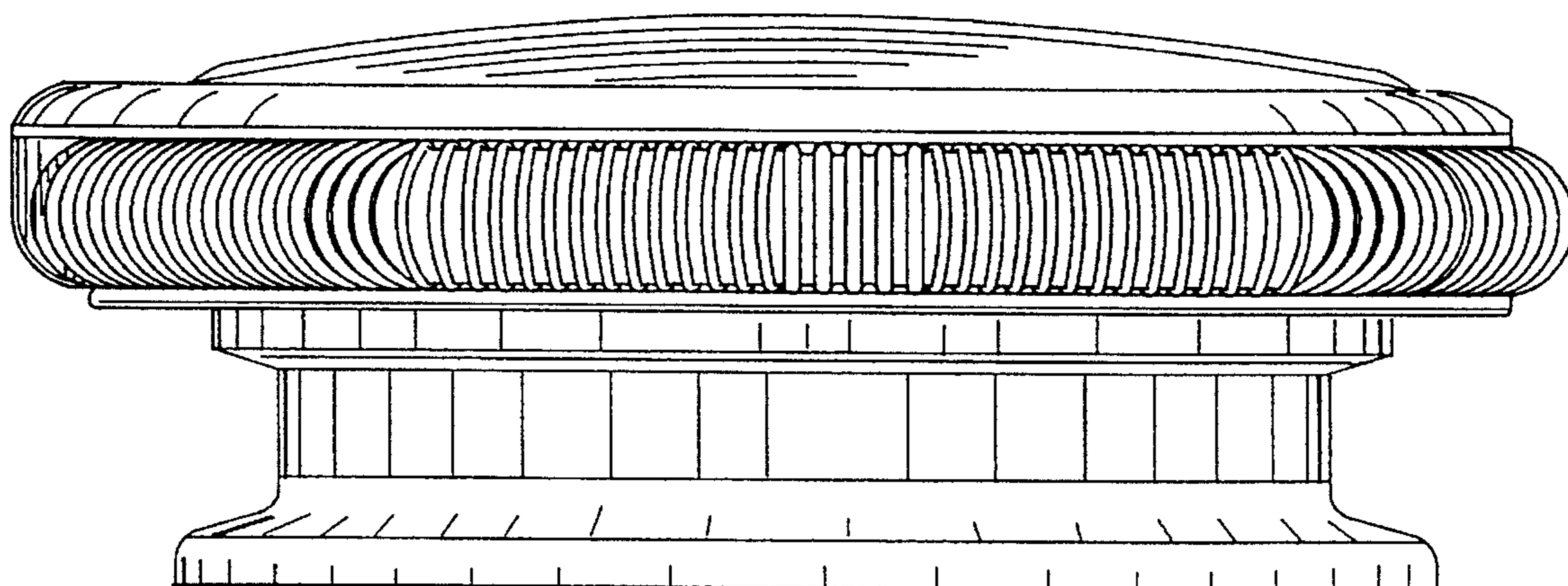


FIG. 3

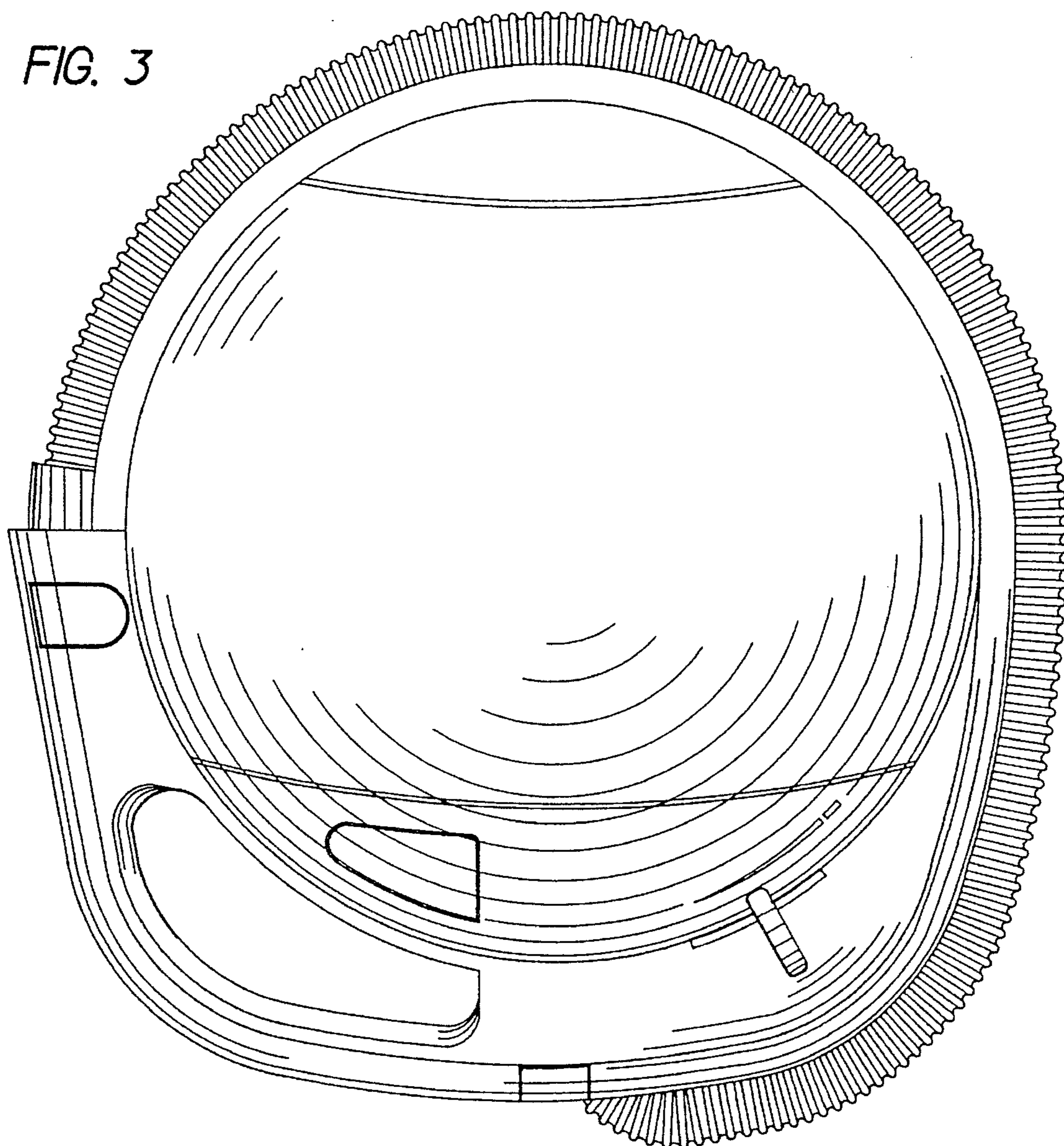


FIG. 4

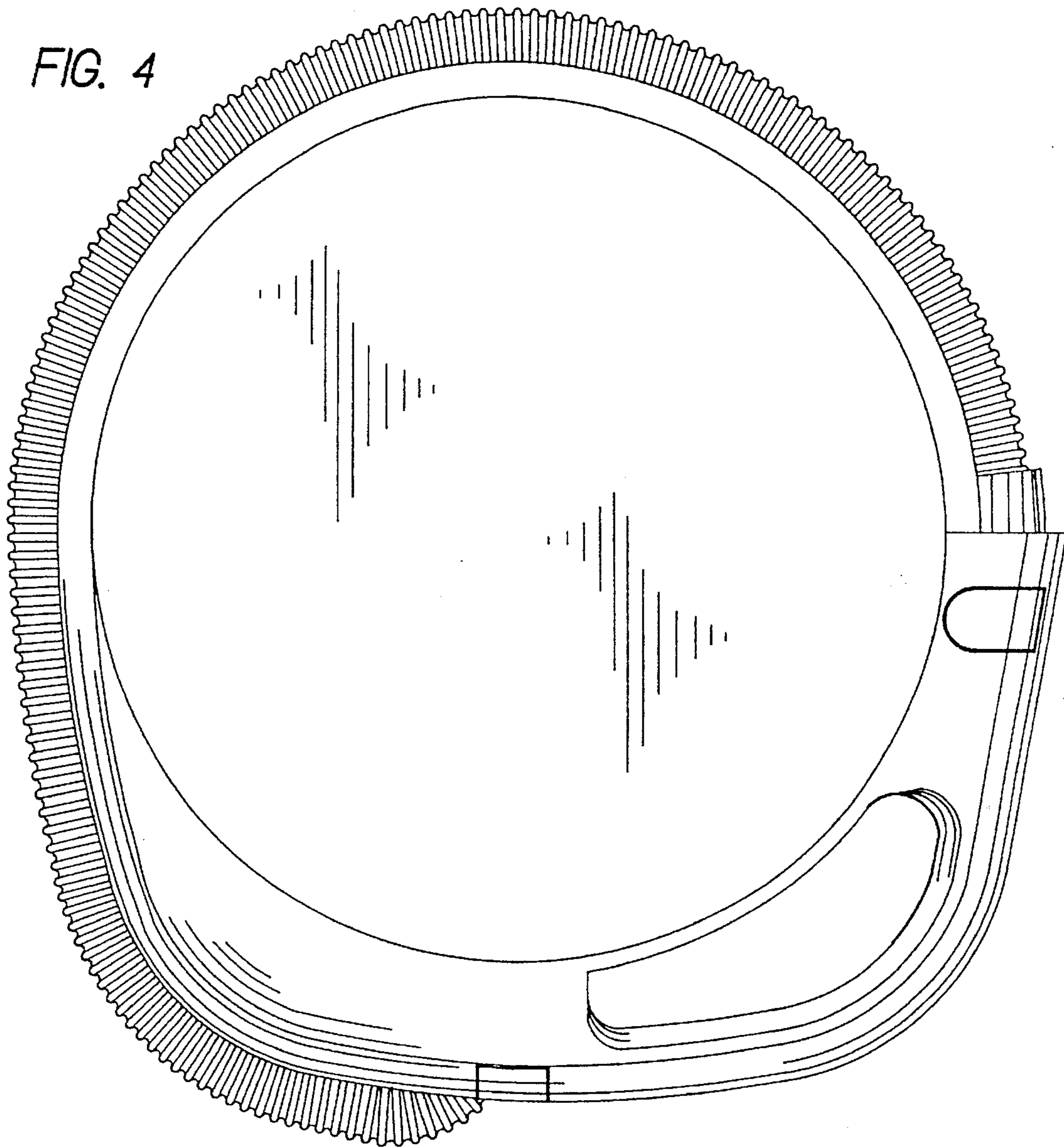


FIG. 5

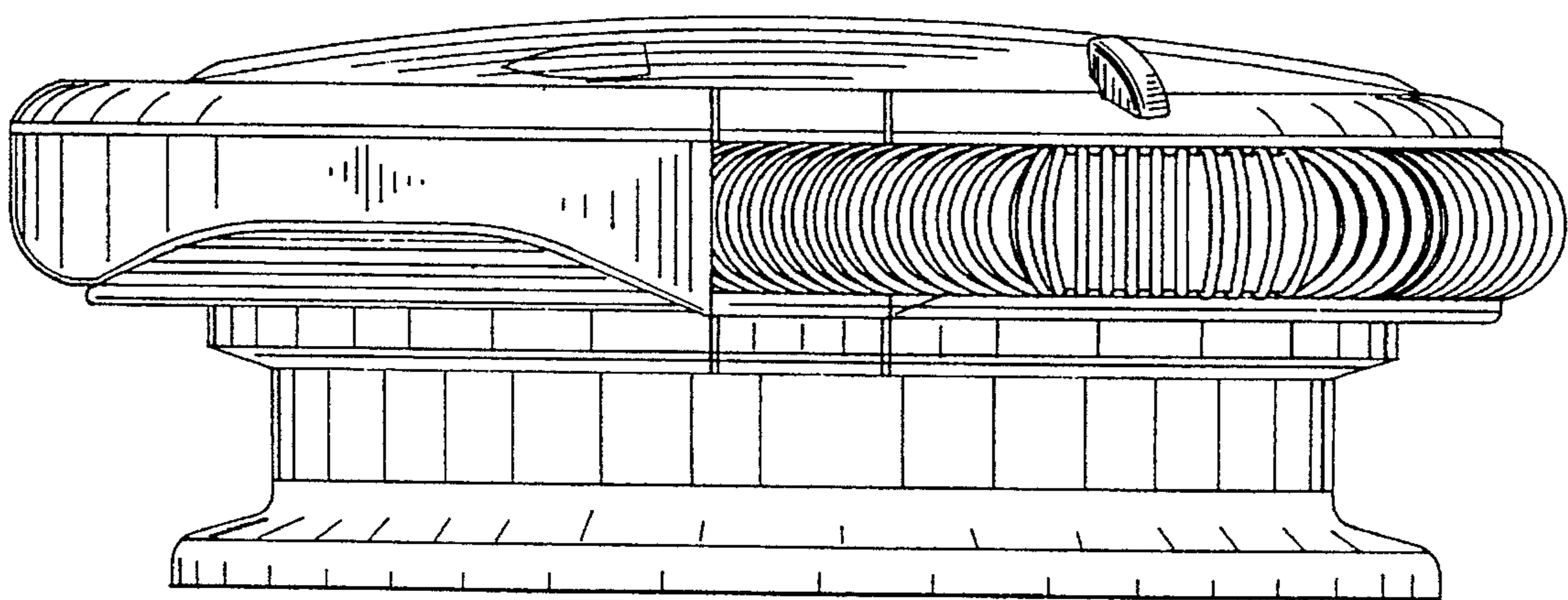


FIG. 6

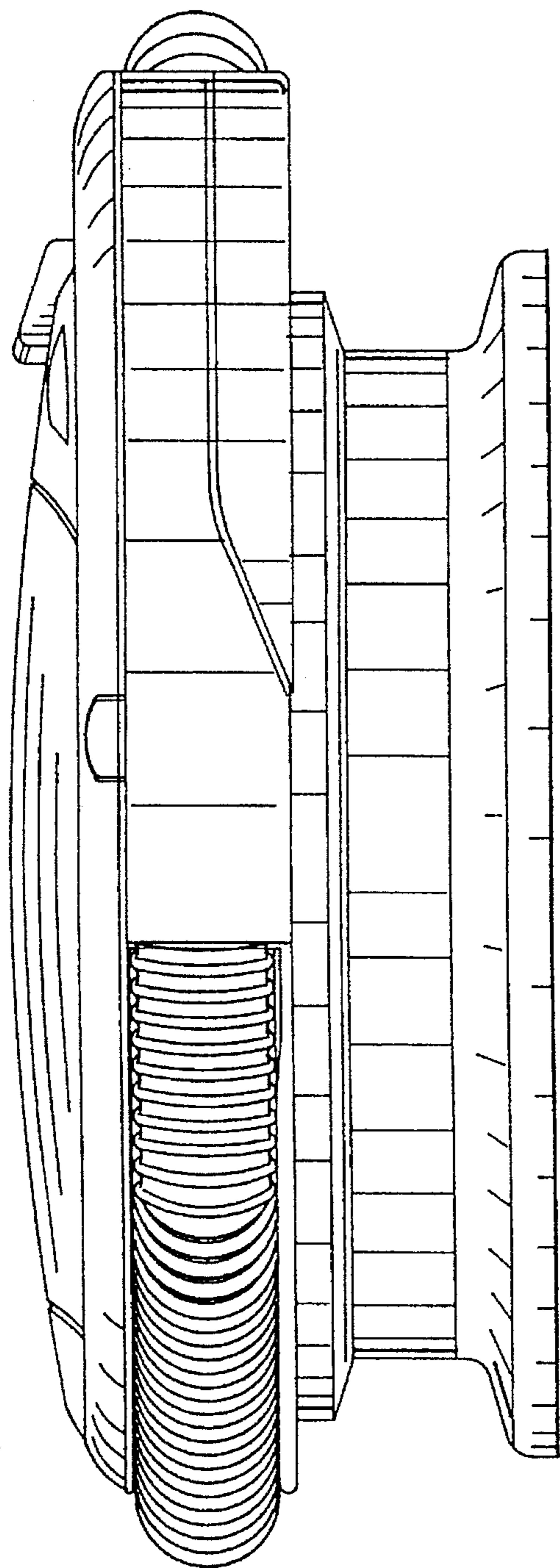


FIG. 7

