



US00D378149S

United States Patent [19]

Mann

[11] Patent Number: **Des. 378,149**

[45] Date of Patent: ****Feb. 18, 1997**

[54] **PET FOOD DISH HOLDER**

[76] Inventor: **Florence Mann**, 179 Lantern Hill Rd., Ledyard, Conn. 06339

[**] Term: **14 Years**

[21] Appl. No.: **41,414**

[22] Filed: **Jul. 13, 1995**

[52] U.S. Cl. **D30/133**

[58] Field of Search D30/121, 129-133; 119/51.01, 51.5, 52.1, 58, 60-61, 68-69, 72; D8/388-390; D11/143-144, 152-153; D6/403-405, 566, 531, 534; 248/95, 97, 99-101, 105, 107, 318, 907, 156; 47/41.14

[56] **References Cited**

U.S. PATENT DOCUMENTS

D. 26,106	9/1896	Douglass	D11/143
D. 132,421	5/1942	Krapp	D30/133 X
D. 302,756	8/1989	Trine	D30/133
779,924	1/1905	Gommel	D11/143
1,560,404	11/1925	Brown	248/156 X

1,779,867	10/1930	Ahrold	248/97 X
3,298,650	1/1967	Mann	248/156 x
4,659,049	4/1987	Watson	248/156 X
4,899,967	2/1990	Johnson	248/97
5,139,219	8/1992	Navarro	248/97

Primary Examiner—B. J. Bullock
Assistant Examiner—Stacia Sinuik
Attorney, Agent, or Firm—Harold H. Dutton, Jr.; W. Charles L. Jamison

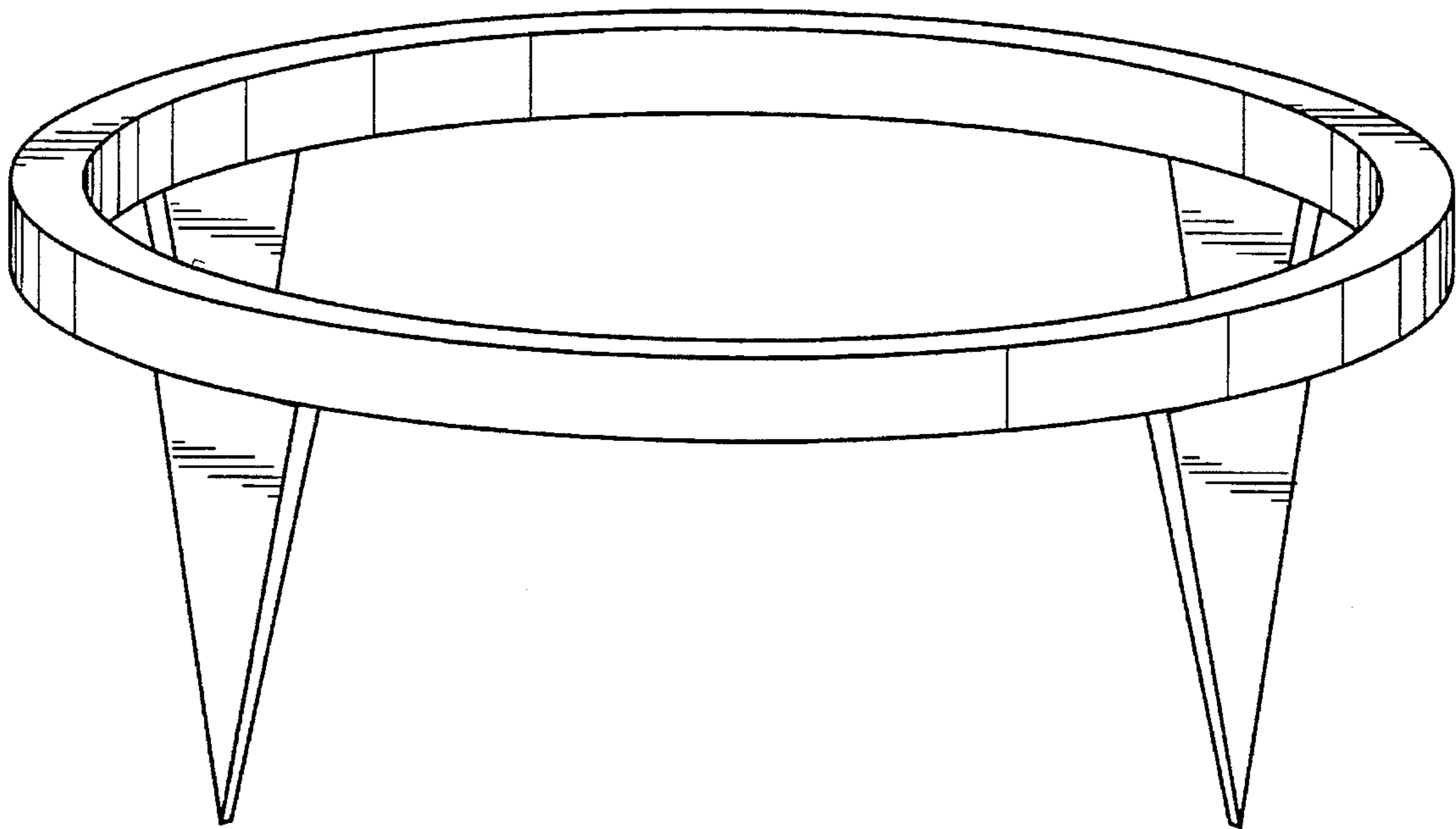
[57] **CLAIM**

The ornamental design for a pet food dish holder, as shown.

DESCRIPTION

FIG. 1 is a perspective view of a pet food dish holder showing my new design;
FIG. 2 is a reduced side view thereof;
FIG. 3 is another side view taken midway between the legs thereof;
FIG. 4 is a top view thereof; and,
FIG. 5 is a bottom view thereof.

1 Claim, 3 Drawing Sheets



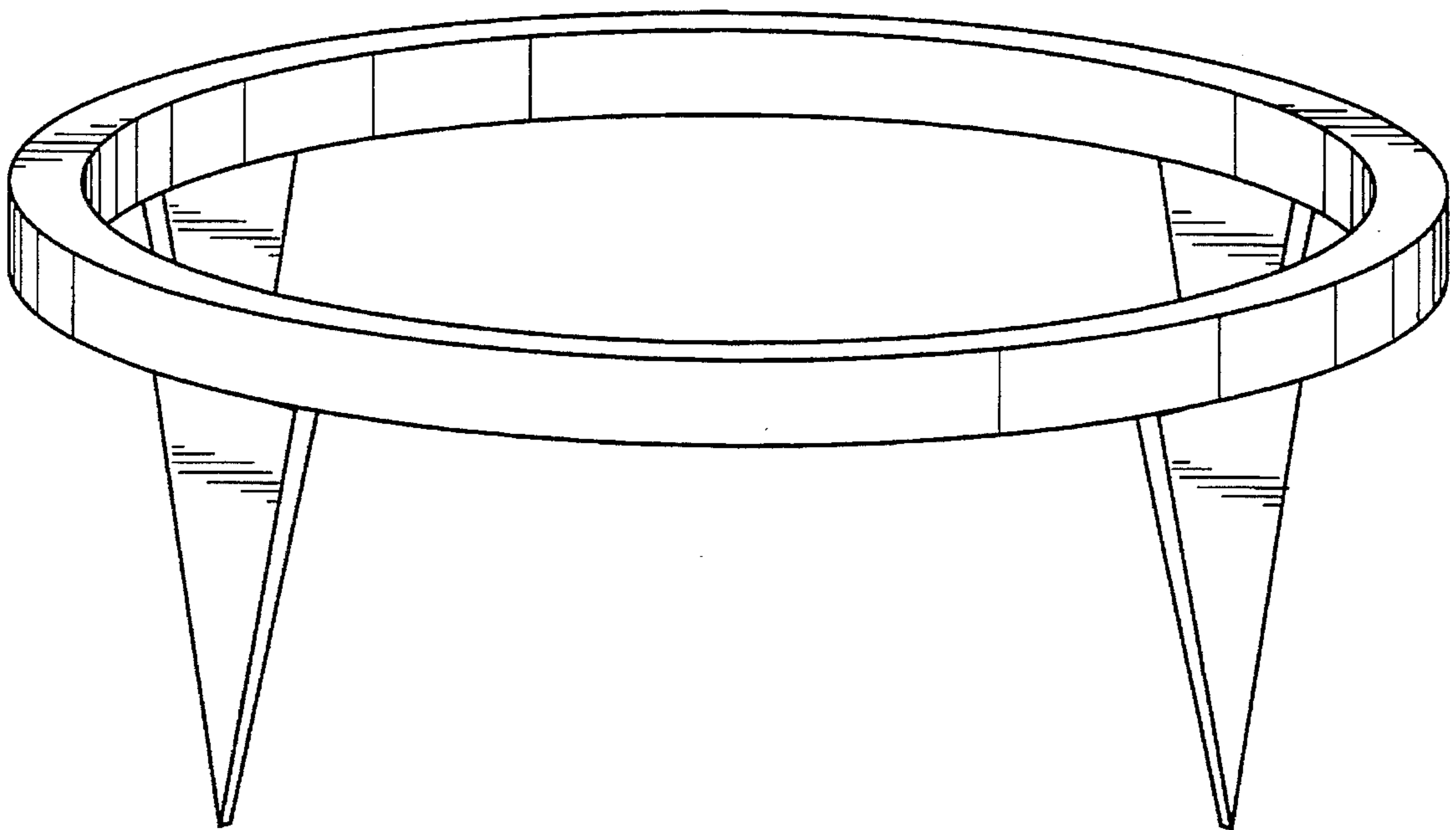


FIG. 1

FIG. 2

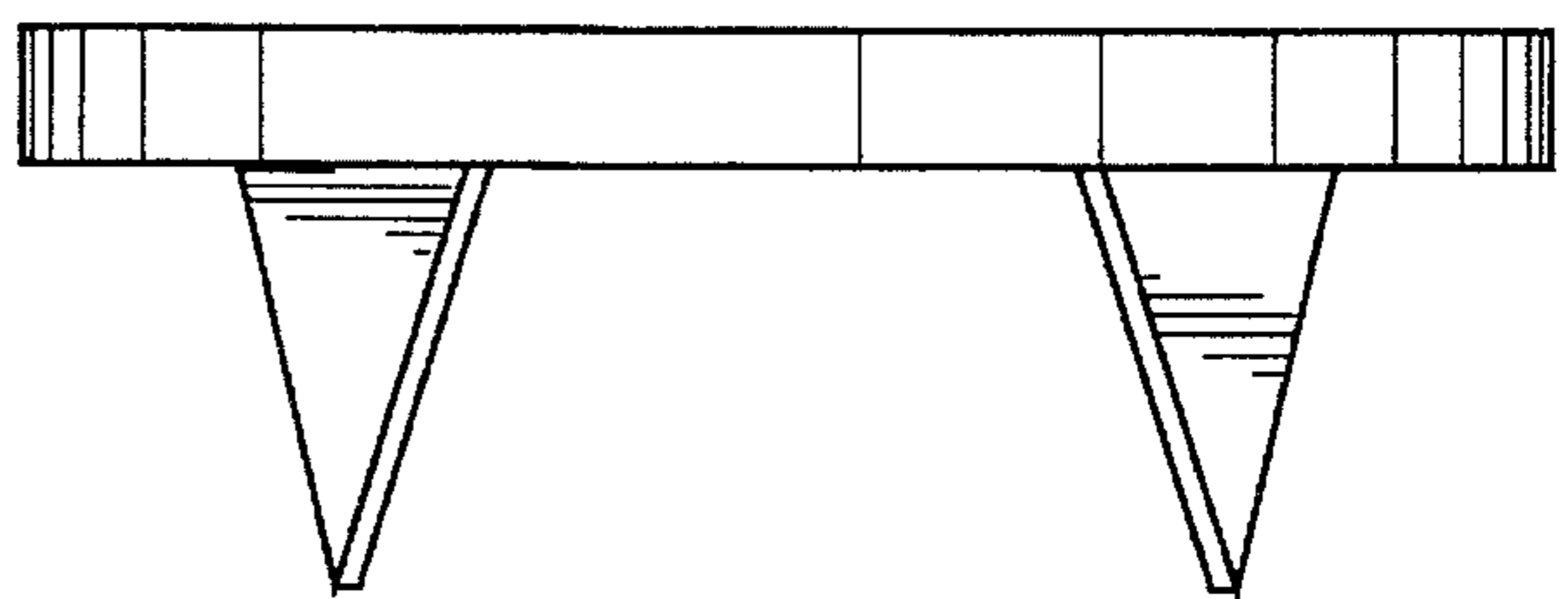
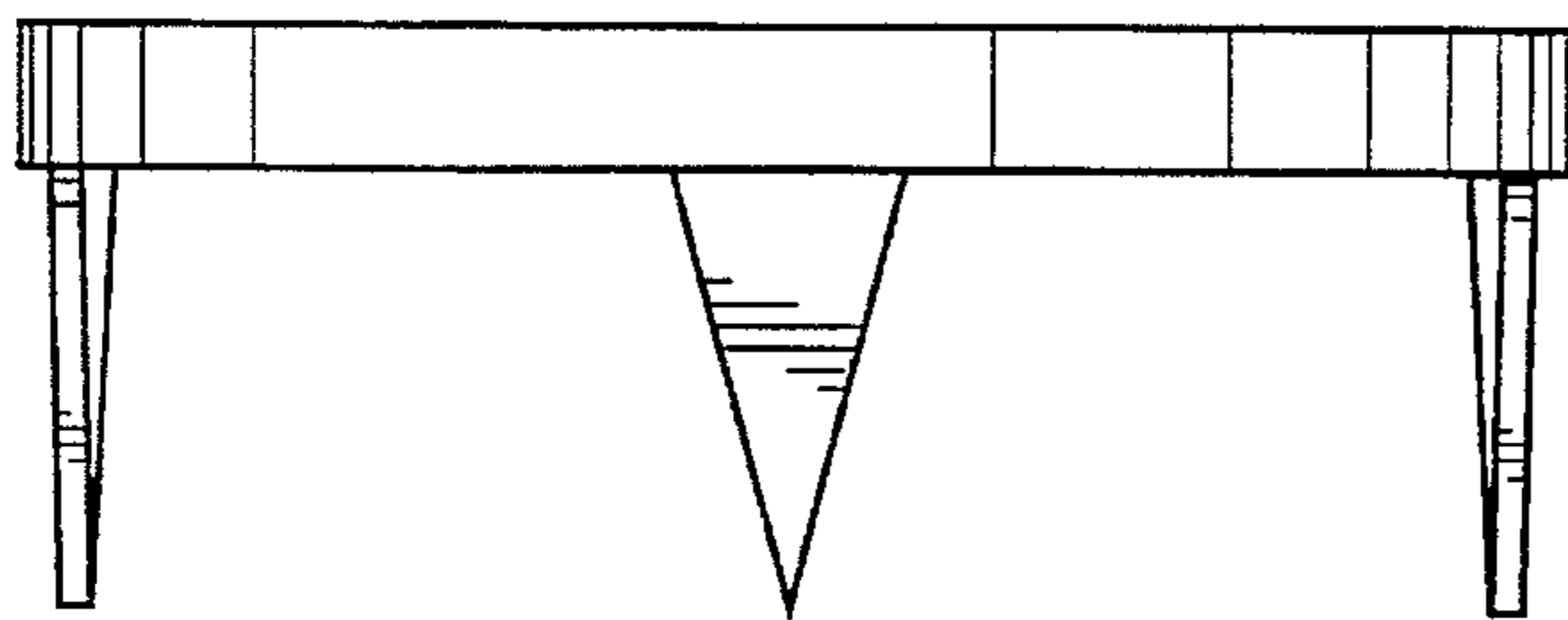


FIG. 3

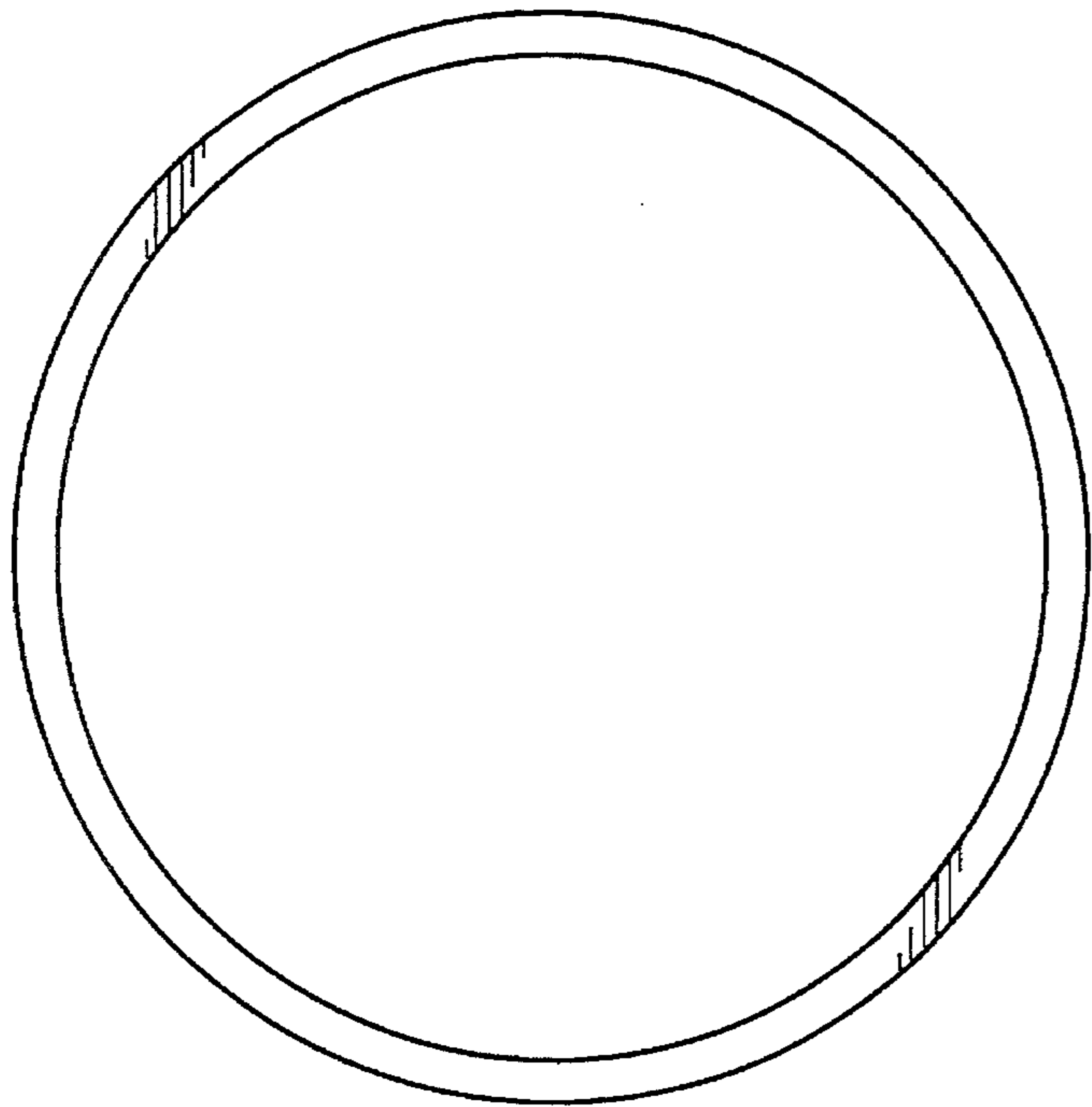


FIG. 4

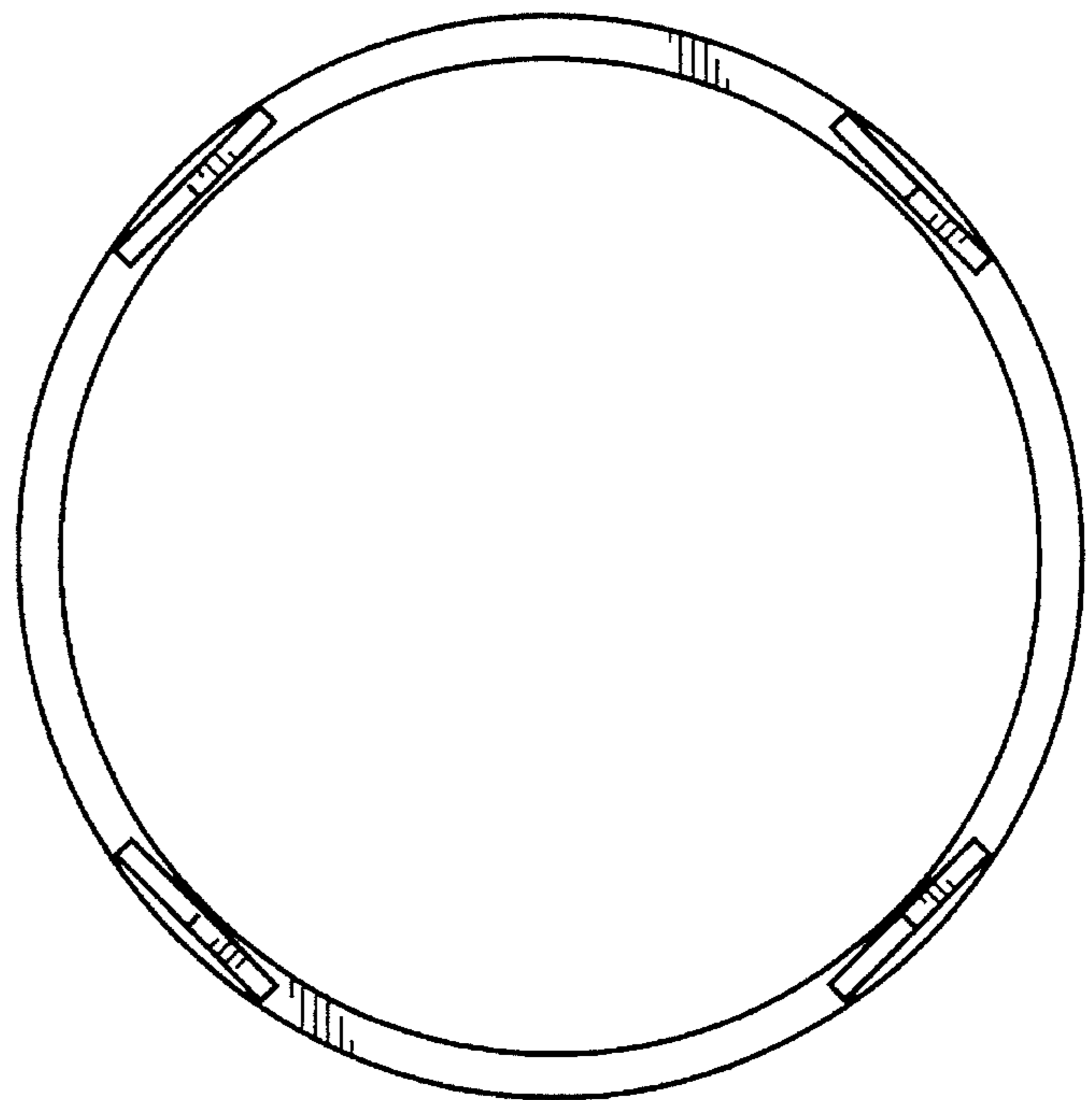


FIG. 5