



US00D378137S

United States Patent [19]

Gregoire

[11] Patent Number: **Des. 378,137**

[45] Date of Patent: ****Feb. 18, 1997**

[54] **COMBINED SHELTER AND GAZEBO**

[76] Inventor: **Danny Gregoire**, 1711 Connecticut Ave., St. Cloud, Fla. 34769

[**] Term: **14 Years**

[21] Appl. No.: **44,164**

[22] Filed: **Sep. 19, 1995**

[52] U.S. Cl. **D25/56; D25/1; D25/22**

[58] Field of Search D25/56, 1, 15, D25/16, 22-26, 29, 34; D21/114, 258; 52/90.1; 135/87, 88.1, 117, 118, 120.3, 90

[56] **References Cited**

U.S. PATENT DOCUMENTS

60,099	11/1866	Walter	135/87
D. 189,023	10/1960	Block	D25/22
D. 194,550	2/1963	Margolls	D21/114
D. 220,396	4/1971	Melcher	D25/56
D. 222,501	10/1971	Simmonds	D25/21
554,792	2/1896	Brelsford	135/88.1
2,743,536	5/1956	Anderson	D25/56
3,102,365	9/1963	Whitsell	D25/56
3,383,127	5/1968	Grunfeld	135/120.3

FOREIGN PATENT DOCUMENTS

0286556	10/1988	European Pat. Off.	135/87
1246303	10/1960	France	135/87

OTHER PUBLICATIONS

- "Pendleton".
- "Berkeley".
- "Strombrellas Fairfax".

"Holiday".

"The Home Craftsman" p. 13, Plant Holder Jun. 1949.

Primary Examiner—Louis S. Zarfes
Assistant Examiner—Gregory Andol
Attorney, Agent, or Firm—Pearson & Pearson

[57] **CLAIM**

The ornamental design for the combined shelter and gazebo, as shown and described.

DESCRIPTION

FIG. 1 is a front perspective view of the combined shelter and gazebo placed on a patio showing my new design;

FIG. 2 is a front plan view of the combined shelter and gazebo thereof with the rear view being a mirror image;

FIG. 3 is a right plan view of the combined shelter and gazebo thereof with the left view being a mirror image;

FIG. 4 is a top plan view of the combined shelter and gazebo thereof;

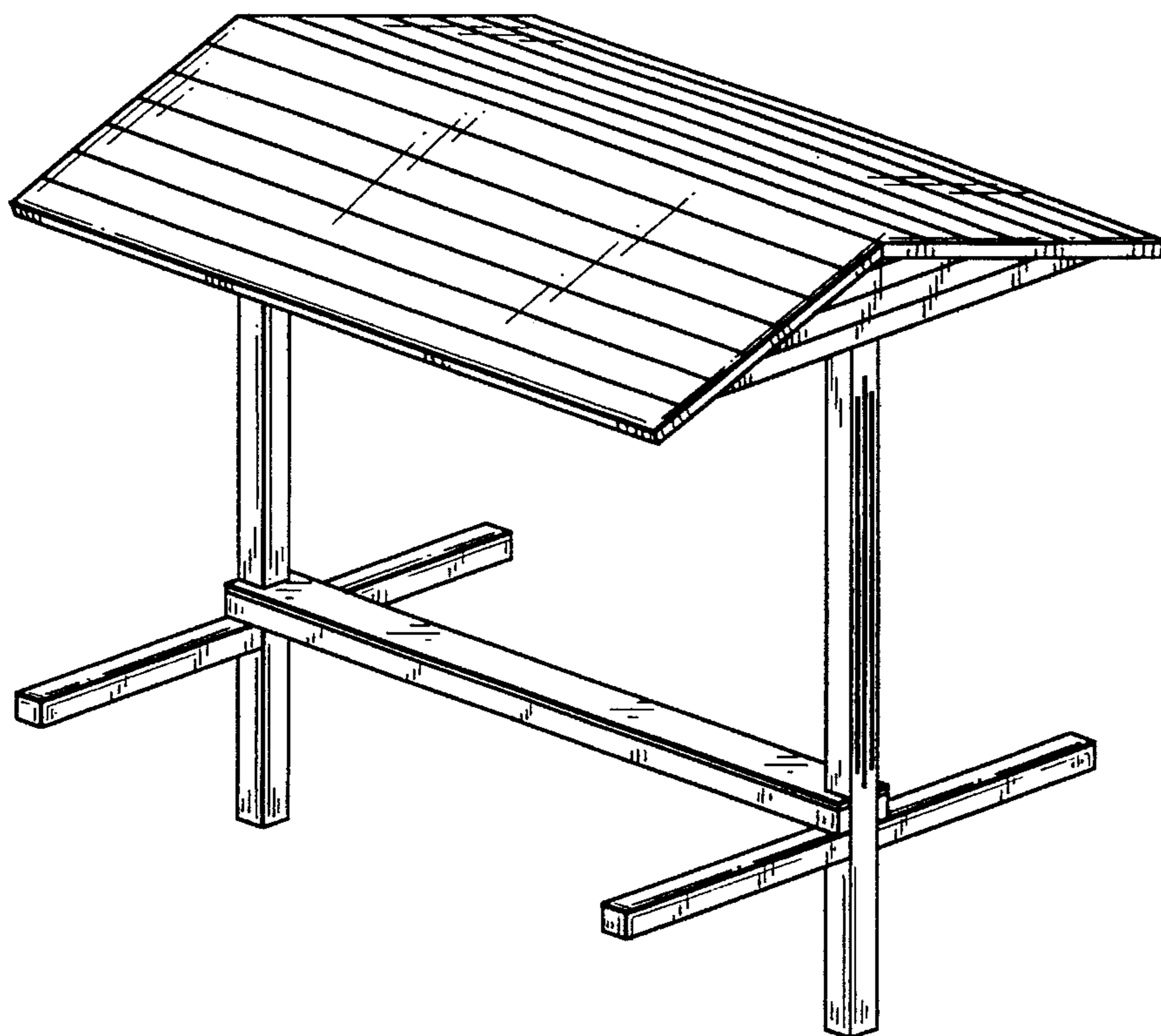
FIG. 5 is a bottom plan view of the combined shelter and gazebo thereof;

FIG. 6 is a front perspective view of the combined shelter and gazebo thereof prior to being placed on a patio; and,

FIG. 7 is a close up perspective cutaway view of the combined shelter and gazebo thereof showing my new design.

The broken line showing of the patio stones is for illustrative purposes only and forms no part of the claimed design.

1 Claim, 5 Drawing Sheets



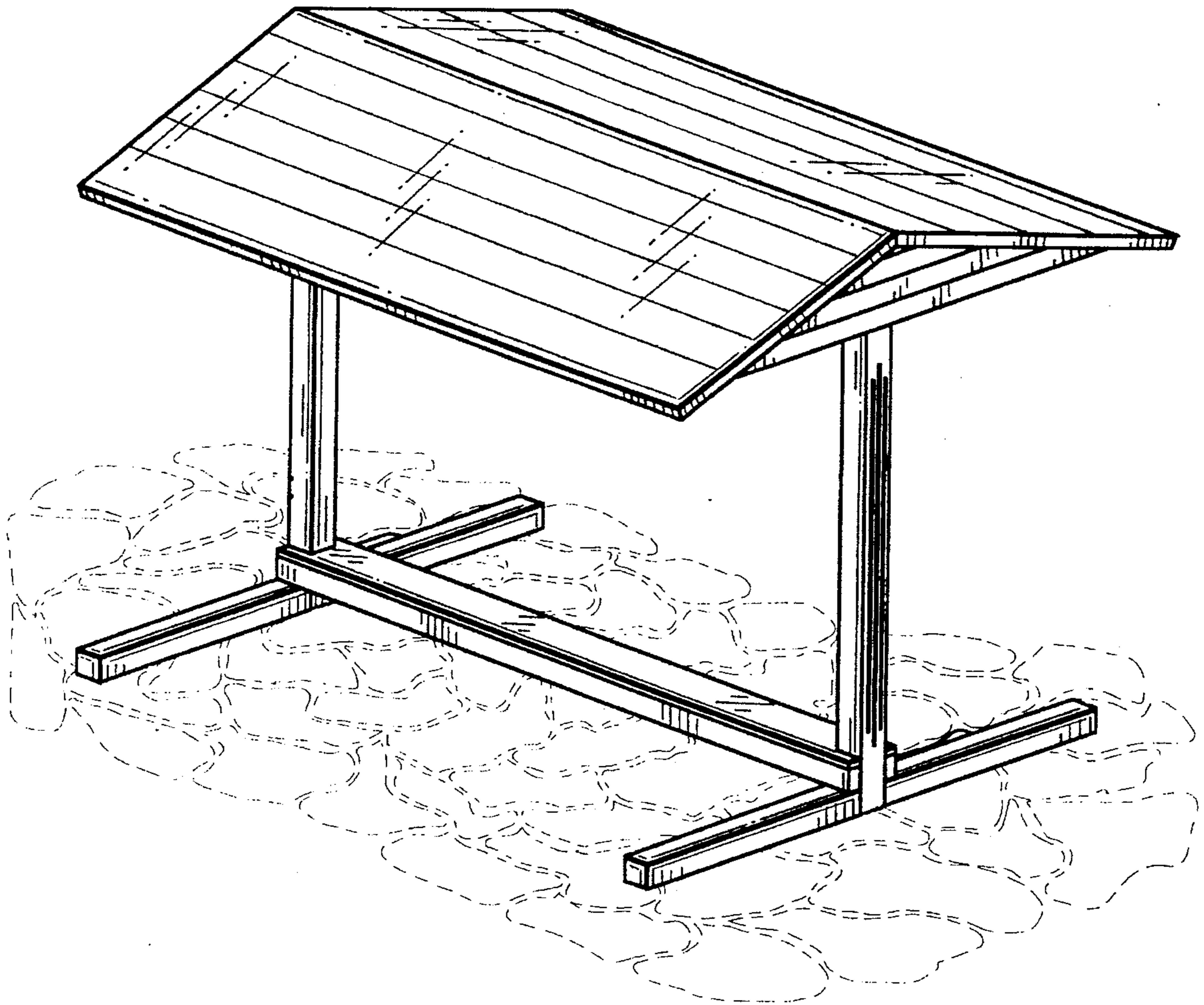


FIG. 1

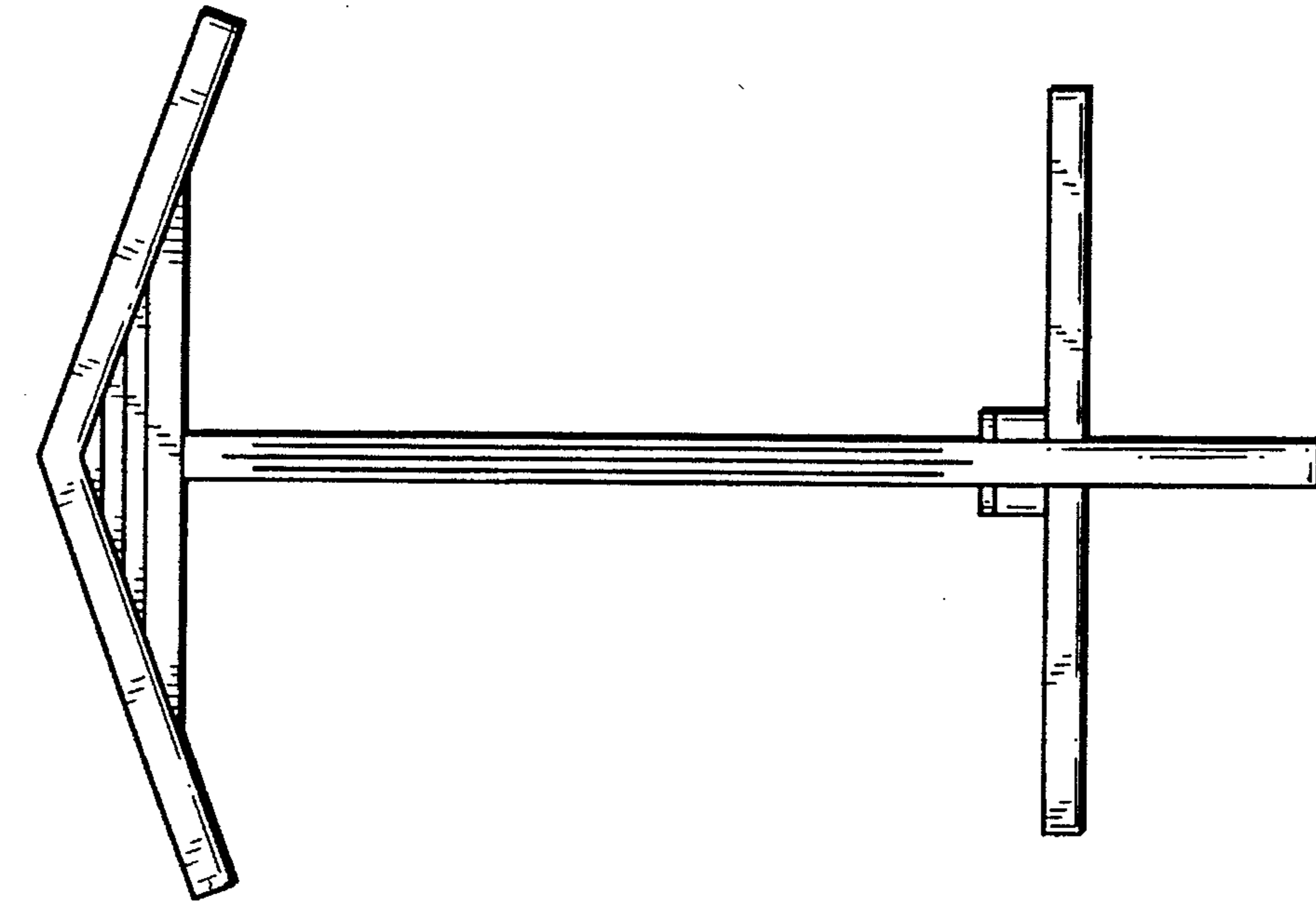


FIG. 3

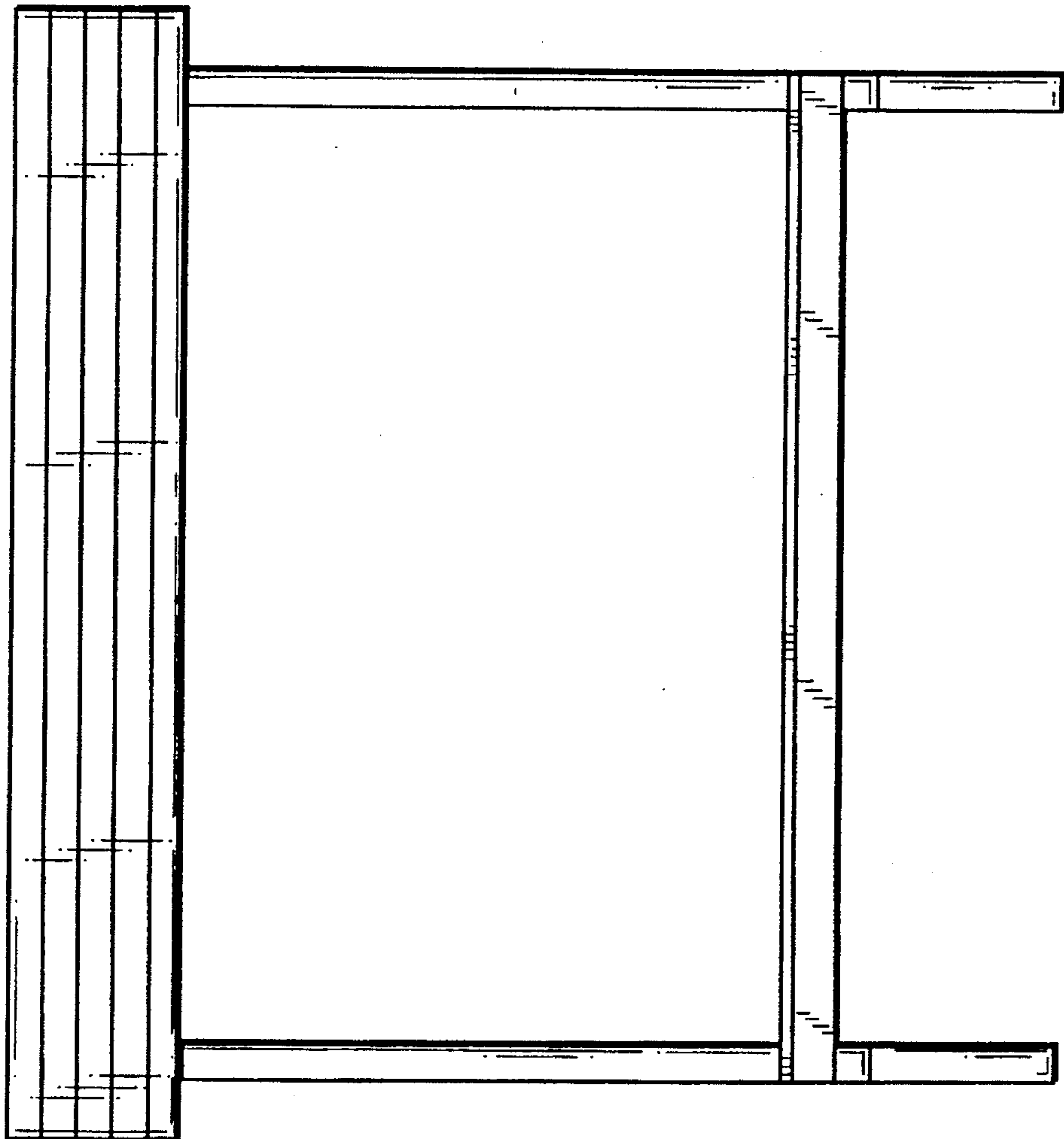


FIG. 2

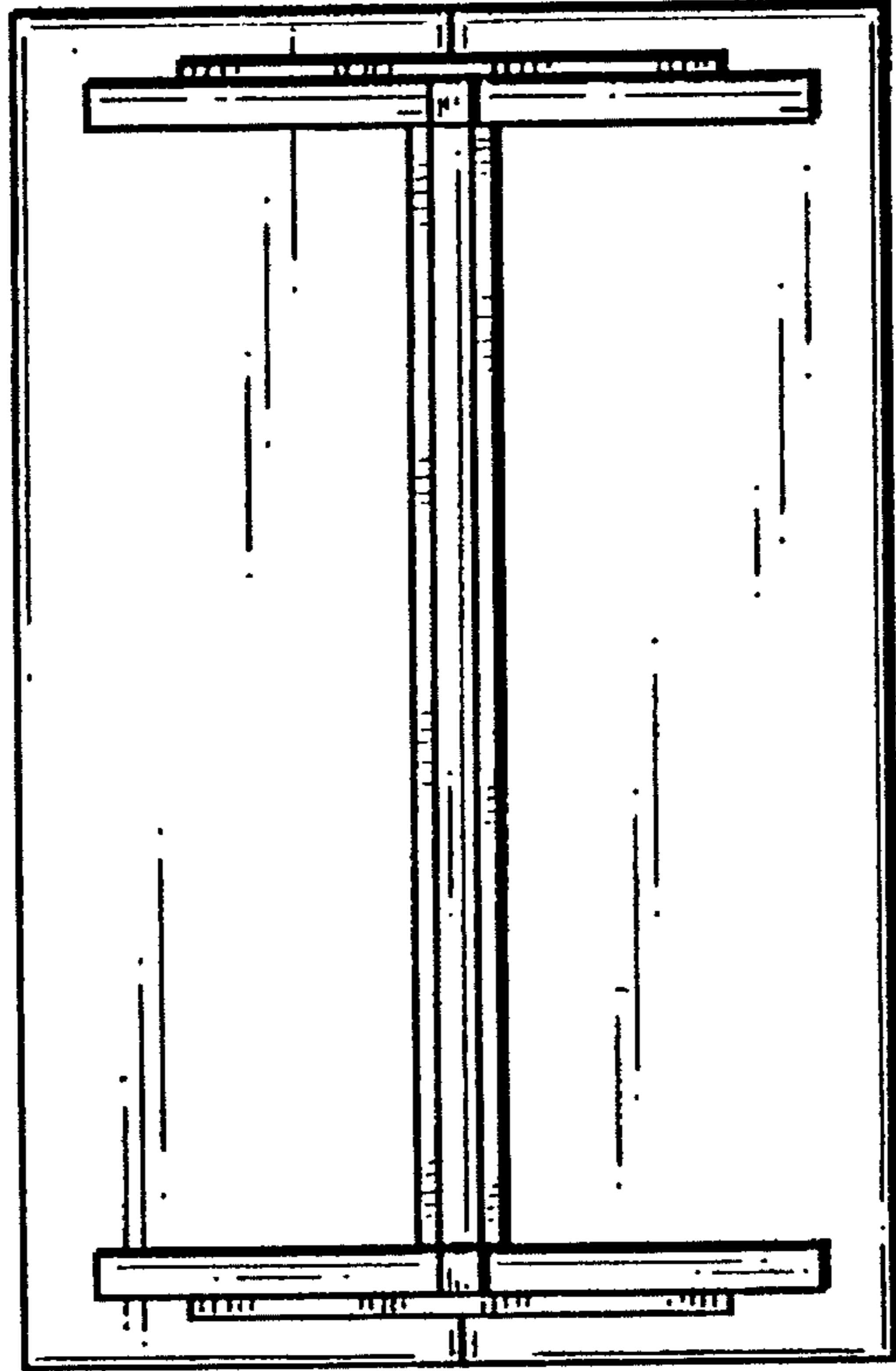


FIG. 5

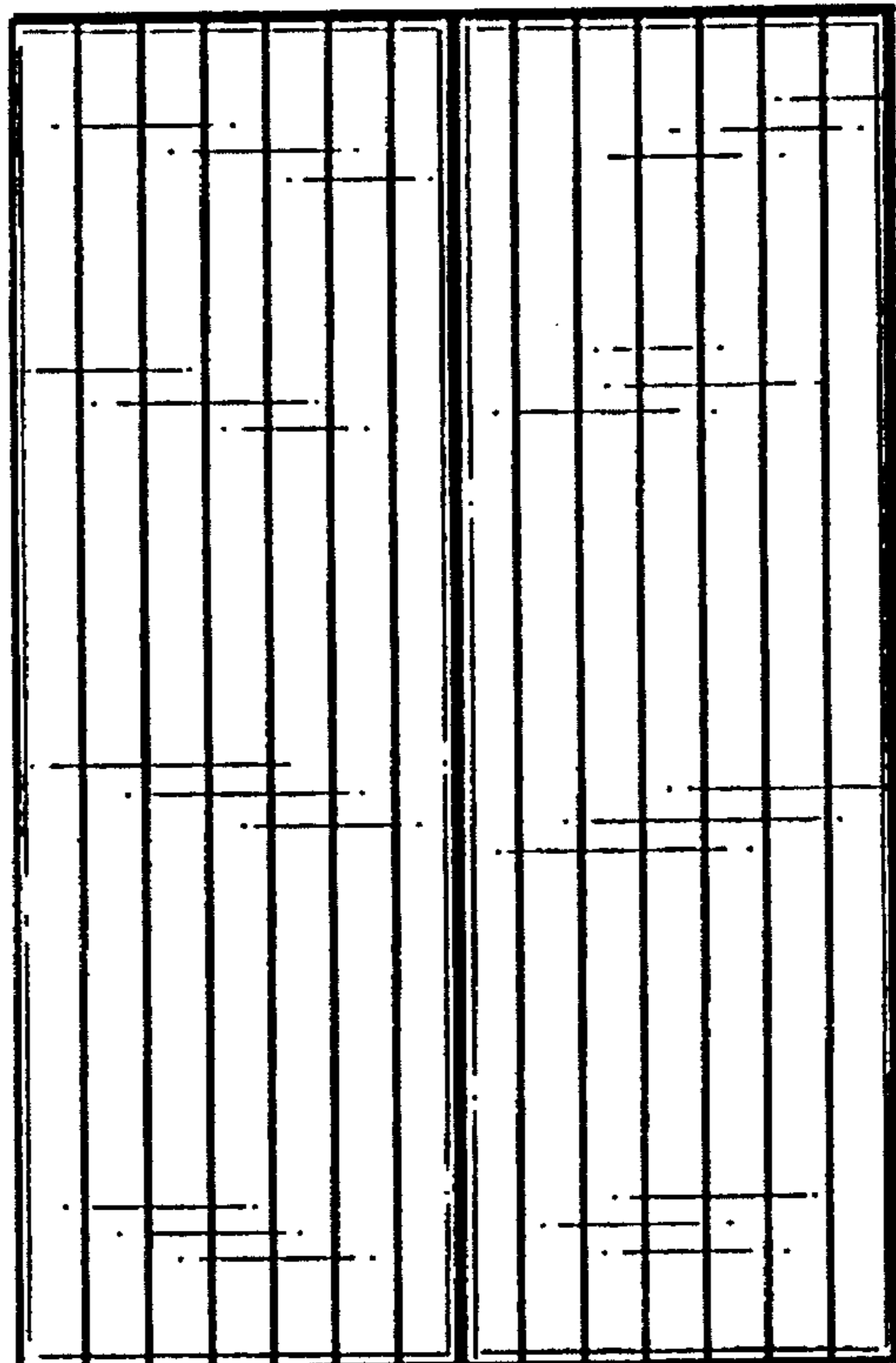


FIG. 4

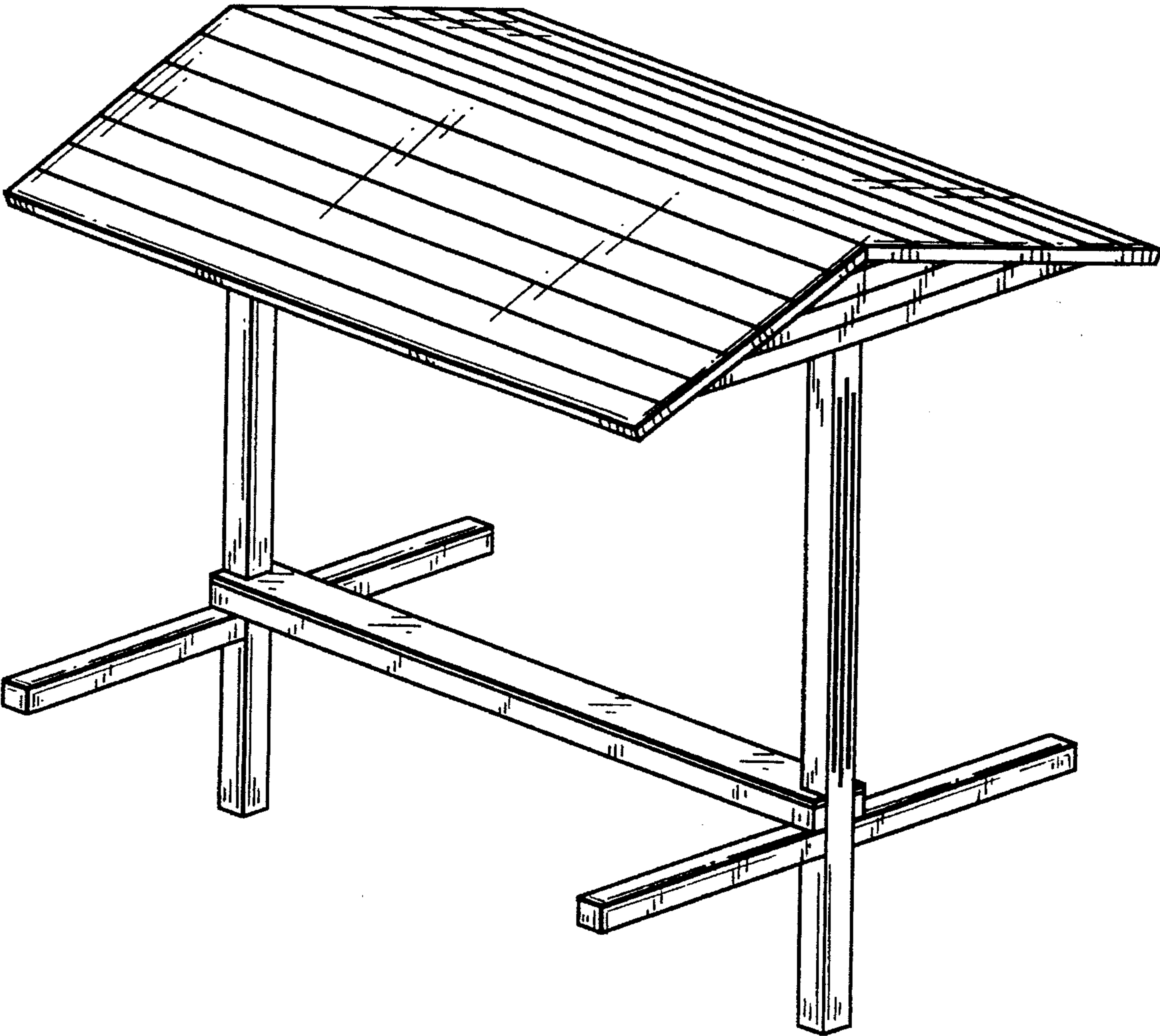


FIG. 6

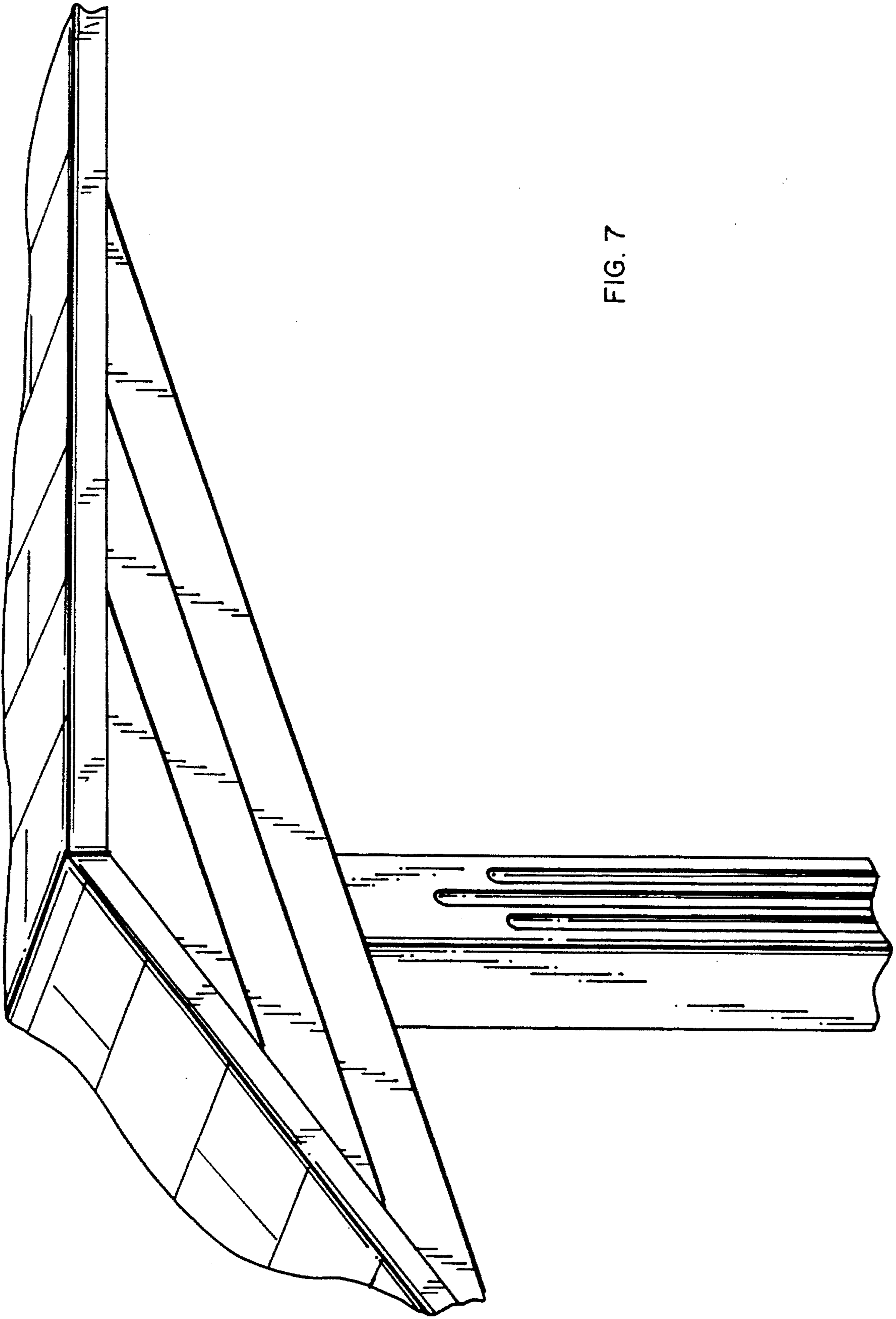


FIG. 7