



US00D378133S

# United States Patent [19]

[11] Patent Number: **Des. 378,133**

Murakami et al.

[45] Date of Patent: **\*\*Feb. 18, 1997**

[54] **X-RAY CAMERA FOR MEDICAL TREATMENT**

Technicare Brochure, Johnson and Johnson, Omega 500, Rectangular Field Camera 15-pages, ©1981.

[75] Inventors: **Makoto Murakami**, Yokohama;  
**Tadashi Kurokawa**, Kawasaki, both of Japan

*Primary Examiner*—Stella Reid  
*Attorney, Agent, or Firm*—Oblon, Spivak, McClelland, Maier & Neustadt, P.C.

[73] Assignee: **Kabushiki Kaisha Toshiba**, Kawasaki, Japan

[57] **CLAIM**

[\*\*] Term: **14 Years**

The ornamental design for an X-ray camera for medical treatment, as shown and described.

[21] Appl. No.: **43,294**

**DESCRIPTION**

[22] Filed: **Aug. 31, 1995**

[30] **Foreign Application Priority Data**

FIG. 1 is a front and right side perspective view of an X-ray camera for medical treatment, showing our new design;

Mar. 3, 1995 [JP] Japan ..... 5879/95

[52] U.S. Cl. .... **D24/158**

FIG. 2 is a front elevational view thereof;

[58] Field of Search ..... D24/158, 159;

FIG. 3 is a left side elevational view thereof;

378/62, 177, 167, 196-198, 190; 250/363.01, 363.02-363.08

FIG. 4 is a right side elevational view thereof;

FIG. 5 is a top plan view thereof;

[56] **References Cited**

FIG. 6 is a bottom plan view thereof;

**U.S. PATENT DOCUMENTS**

FIG. 7 is a rear elevational view thereof; and,

D. 366,701	1/1996	Mazess et al. ....	D24/159
4,887,287	12/1989	Cobben .....	378/197
4,987,585	1/1991	Kidd et al. ....	378/197
5,048,069	9/1991	Siczek .....	378/197
5,050,204	9/1991	Siczek et al. ....	378/197

FIG. 8 is a cross-sectional view, taken along the line 8—8 in FIG. 4 thereof;

FIG. 9 is a cross-sectional view, taken along the line 9—9 in FIG. 2 thereof;

**FOREIGN PATENT DOCUMENTS**

0375552 6/1990 France ..... D24/158 X

FIG. 10 is a cross-sectional view, taken along the line 10—10 in FIG. 2 thereof; and,

**OTHER PUBLICATIONS**

Catalog of an X-Ray camera for a medical treatment described as "Multistar" published Apr., 1994.

FIG. 11 is a perspective view, on a reduced scale, in use condition; the broken line showing is for illustrative purposes only and forms no part of the claimed design.

Catalog of an X-Ray camera for medical treatment described as "Integris V 3000" published Apr., 1994.

**1 Claim, 3 Drawing Sheets**

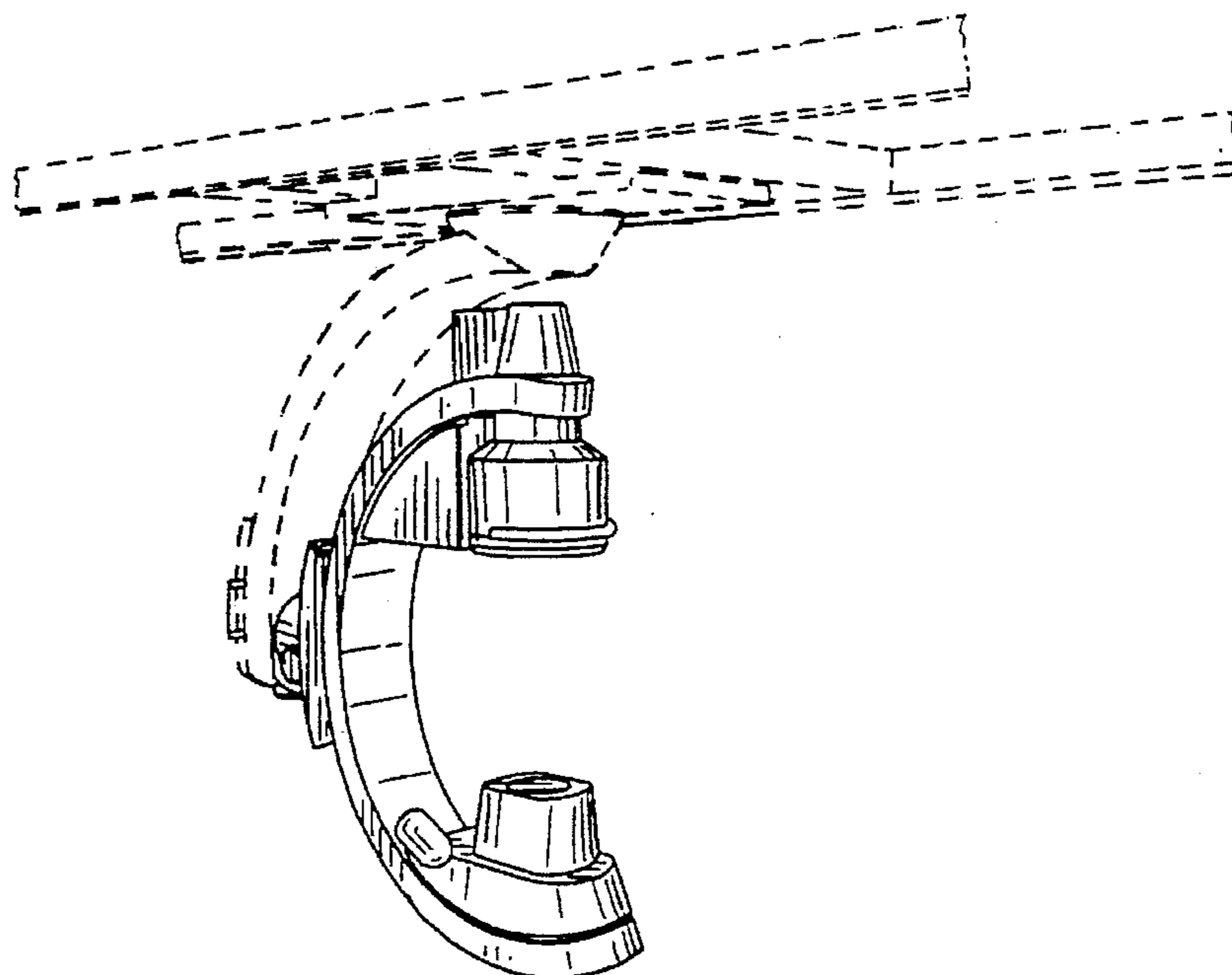


FIG. 1

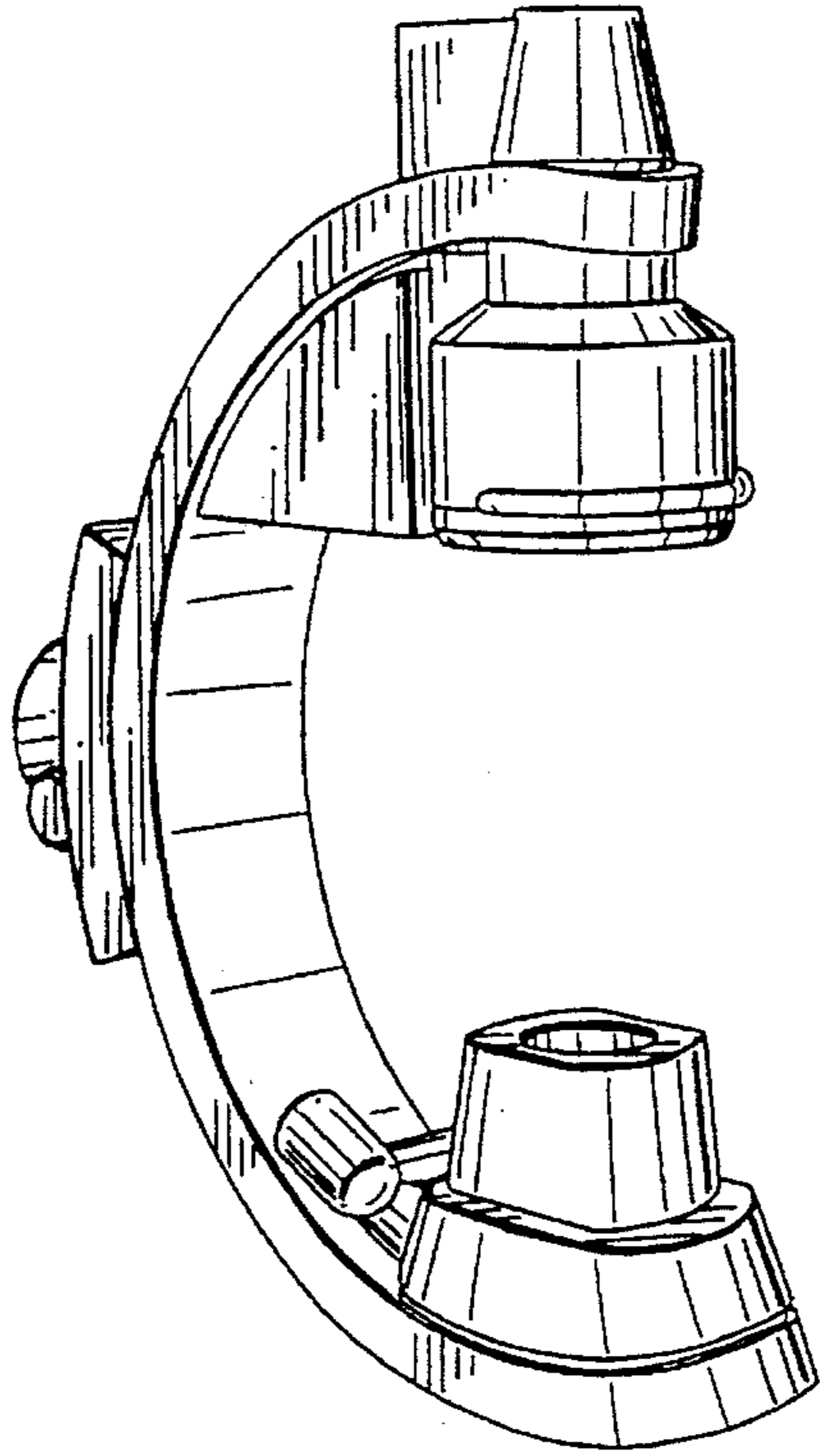


FIG. 3

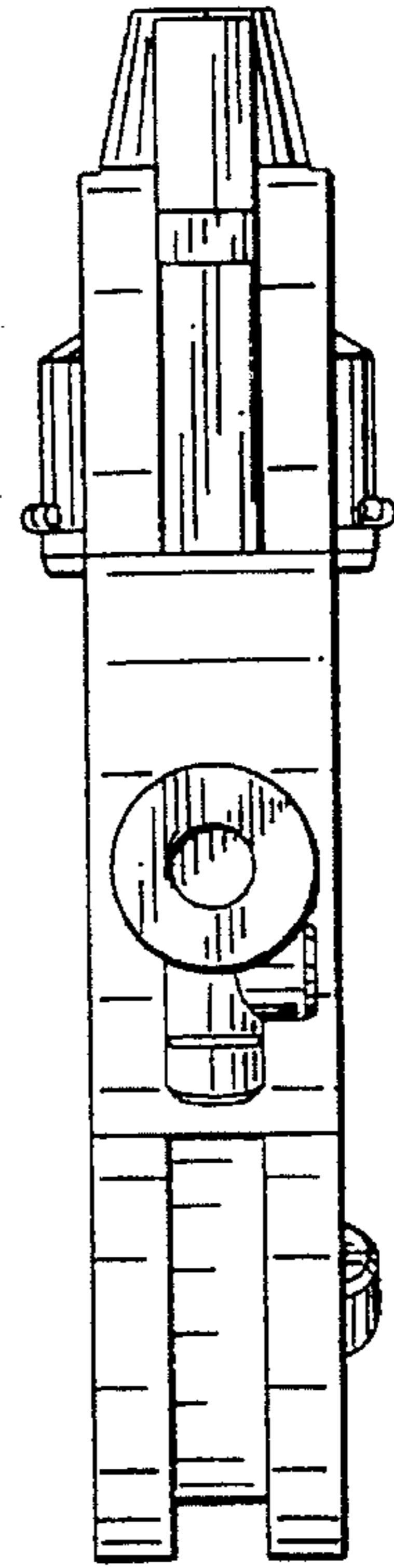


FIG. 2

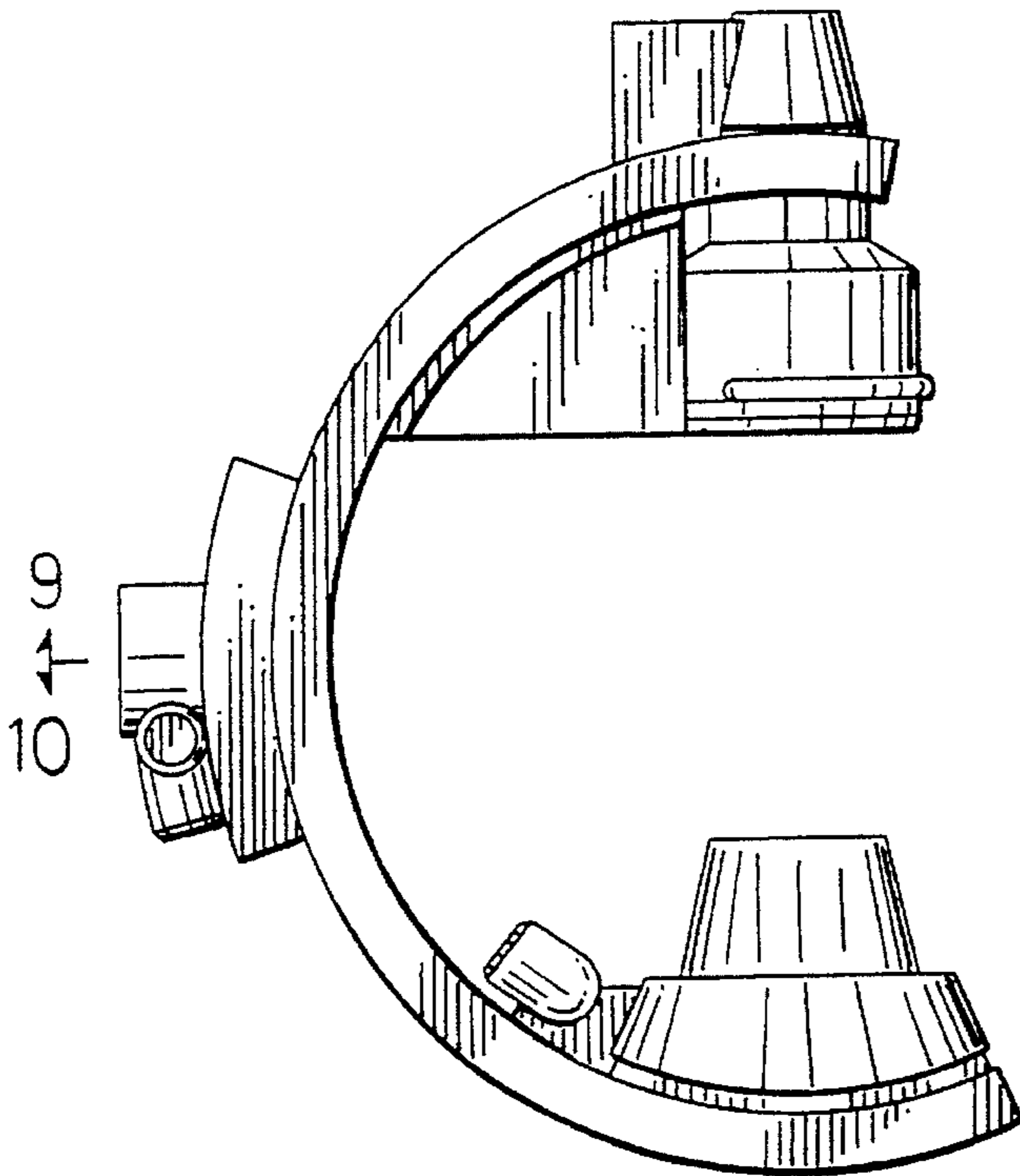


FIG. 4

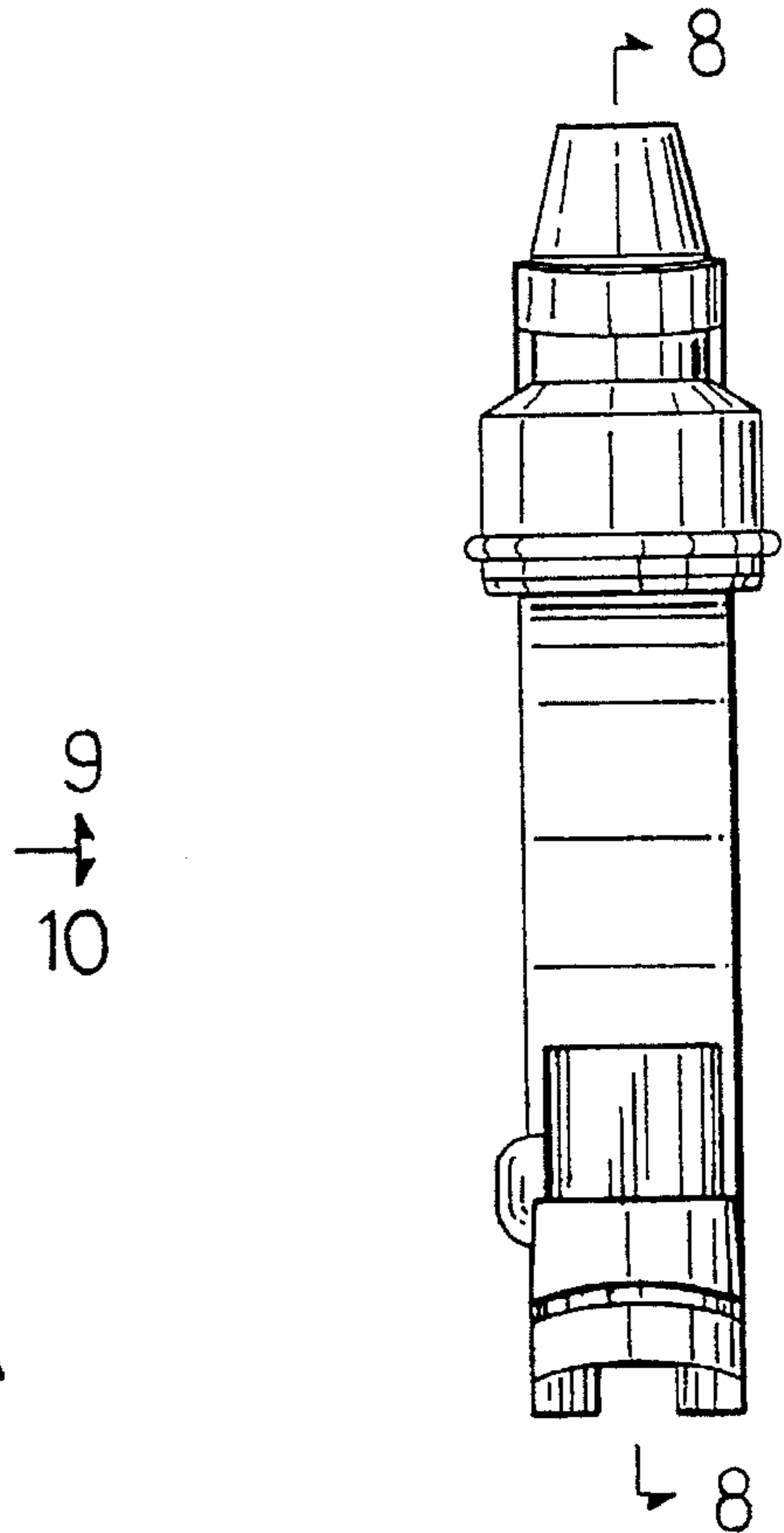


FIG. 5

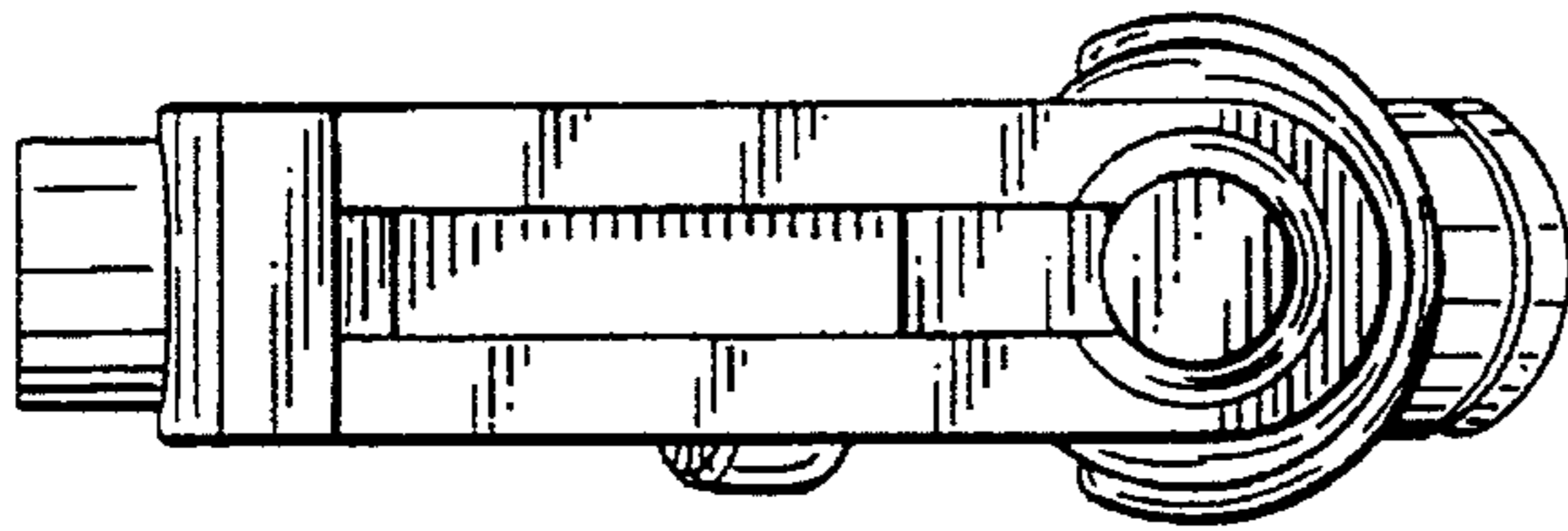


FIG. 7

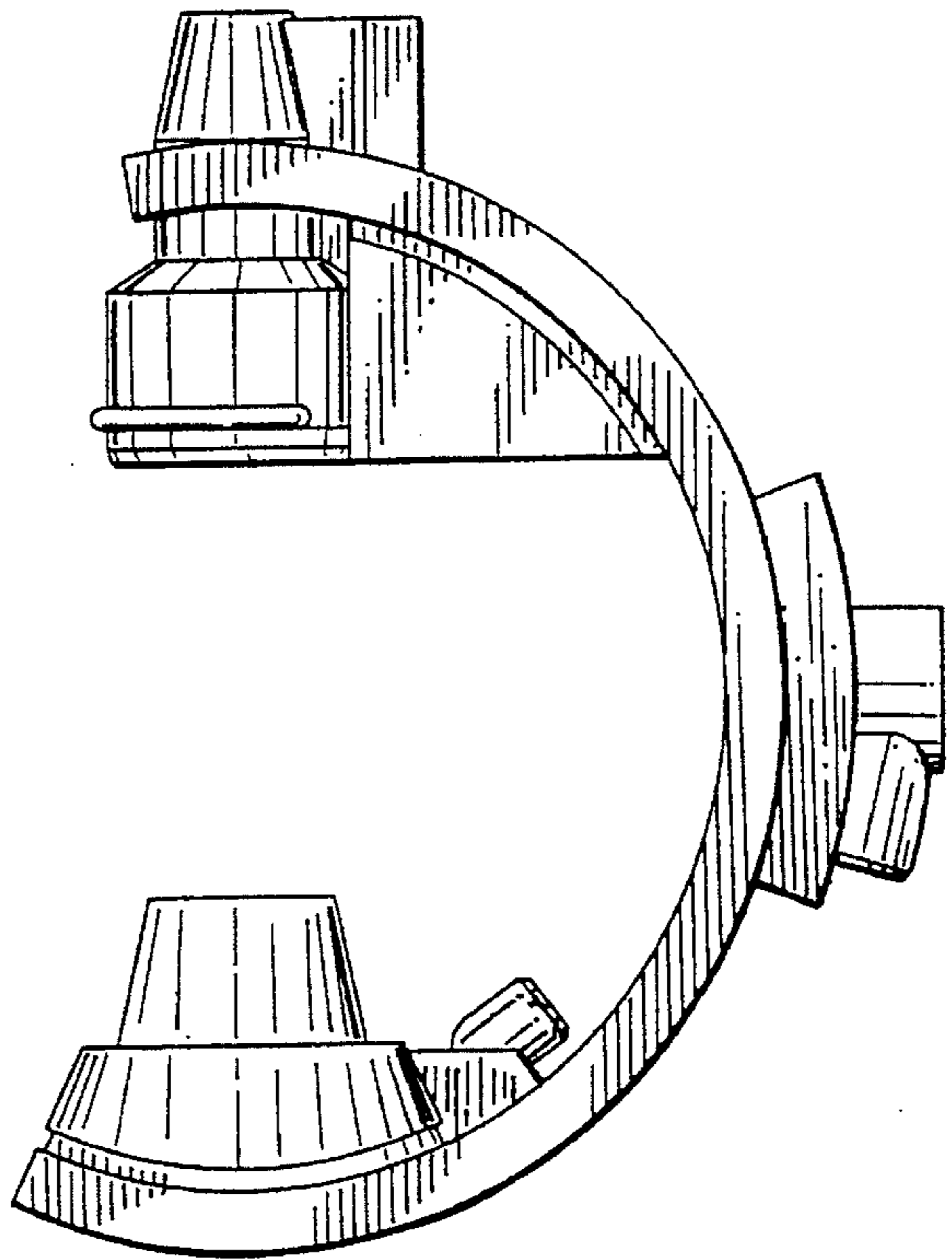


FIG. 6

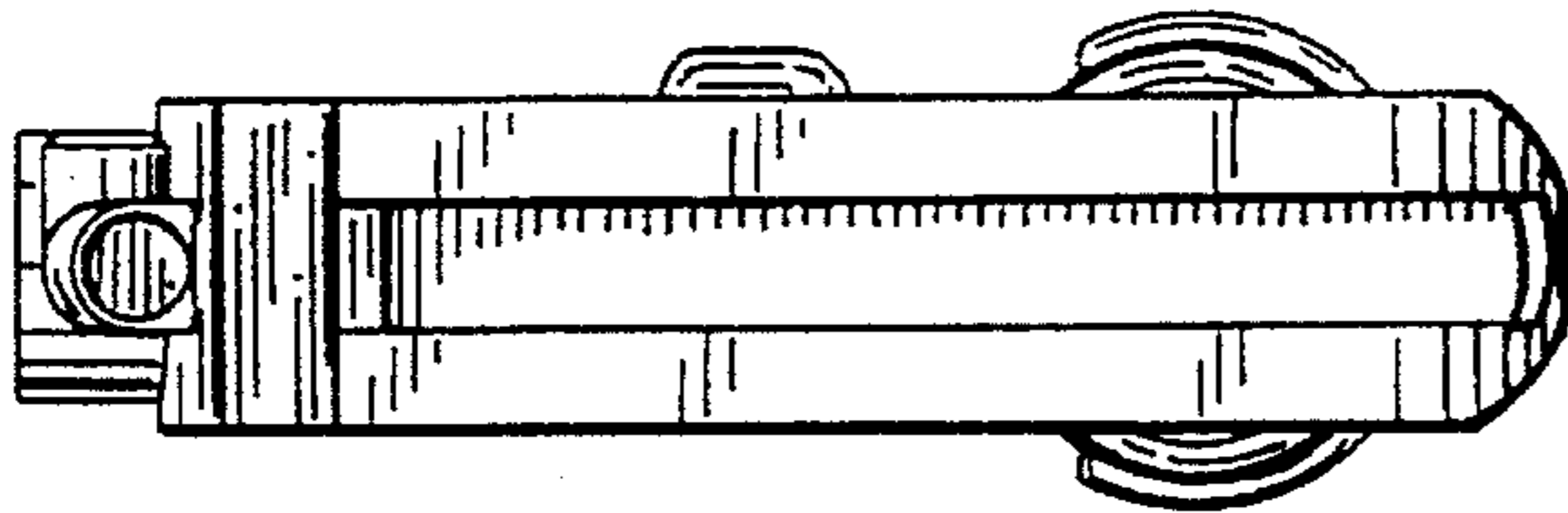


FIG. 8

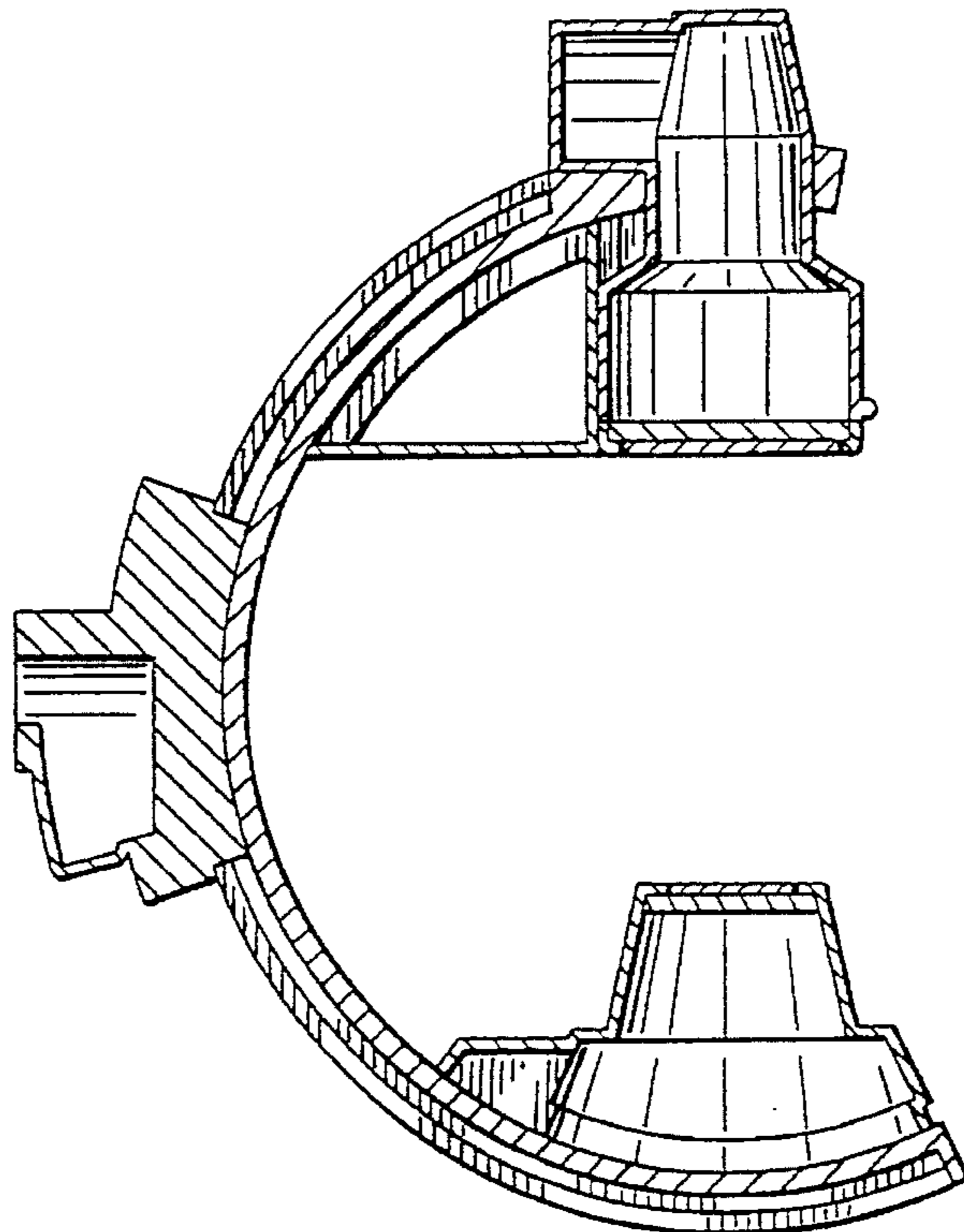


FIG. 9

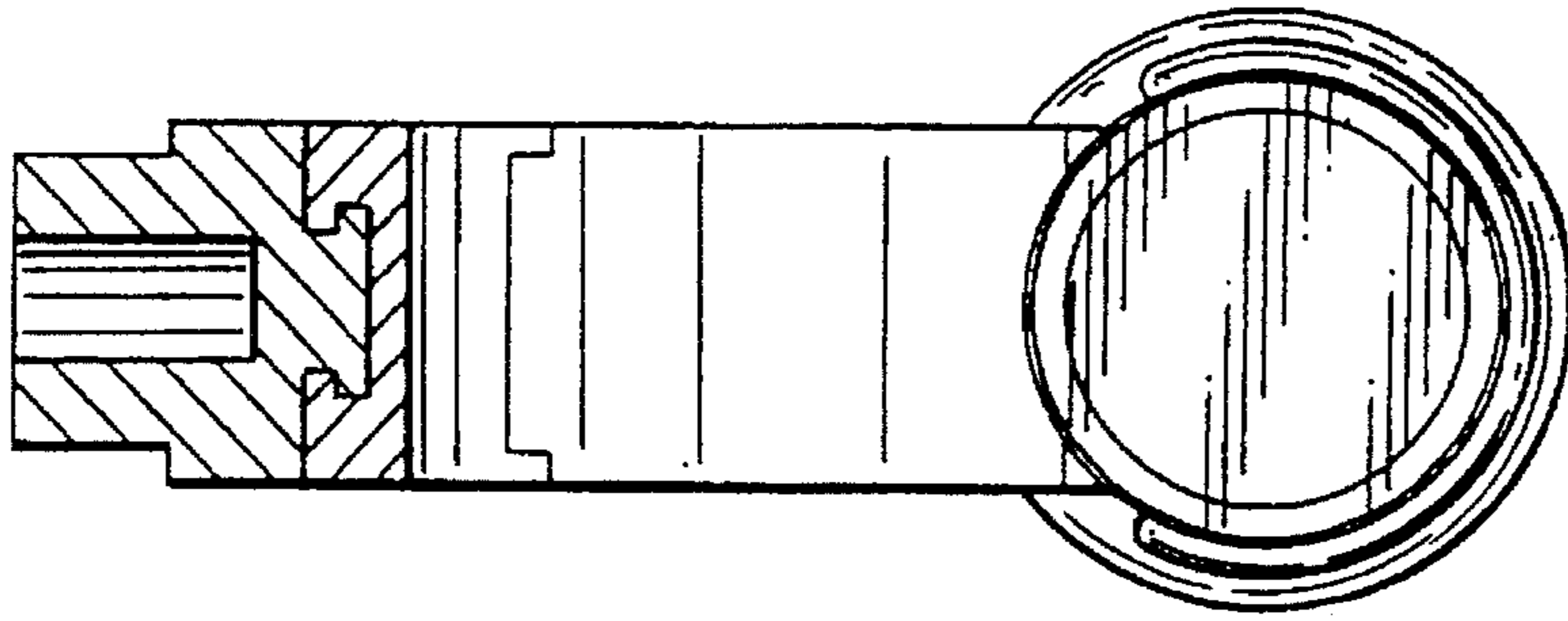


FIG. 10

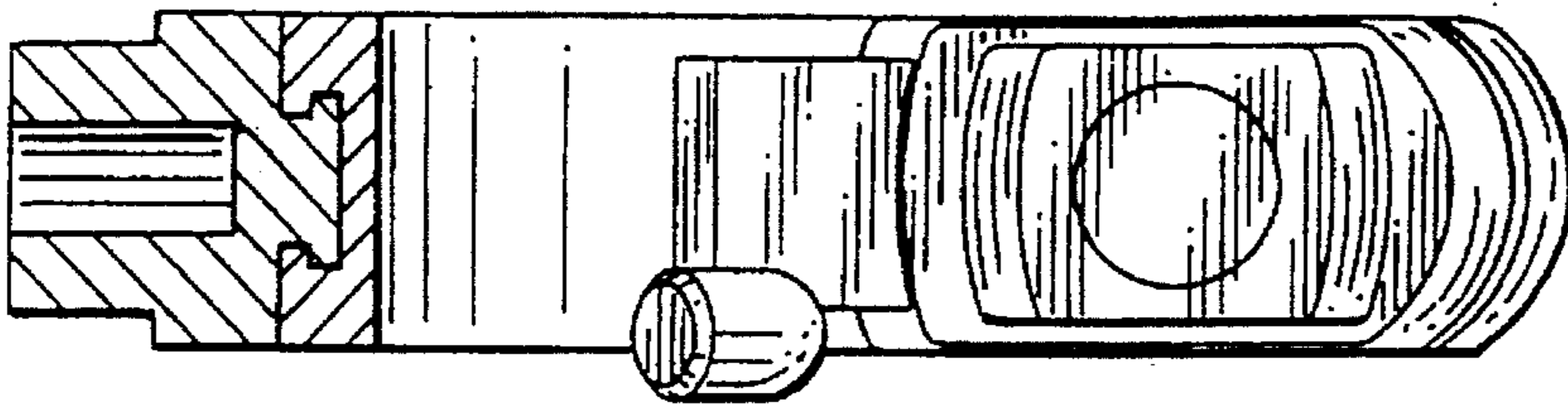


FIG. 11

