



US00D378132S

United States Patent [19] Strain

[11] Patent Number: Des. 378,132
[45] Date of Patent: **Feb. 18, 1997

[54] BREAST FORM

[76] Inventor: Robert I. Strain, P.O. Box 516, Simi Valley, Calif. 93062

[**] Term: 14 Years

[21] Appl. No.: 30,807

[22] Filed: Nov. 8, 1994

[52] U.S. Cl. D24/155

[58] Field of Search D24/155; 623/7, 623/8, 11

FOREIGN PATENT DOCUMENTS

837000 4/1952 Netherlands .

OTHER PUBLICATIONS

"Silma Handbook"; Otto Thamert, Textil-und Kunststoff GmbH & Co KG, 1987.

"JC Penny Catalog Presents JODEE® After Surgery Inner Fashions"; Fall/Winter 1994, Copyright Jodee®, 1994.

"JC Penny Catalog" [no date].

Primary Examiner—Stella Reid

Attorney, Agent, or Firm—Poms, Smith, Lande & Rose, P.C.

[57] CLAIM

The ornamental design for a breast form, as shown and described.

DESCRIPTION

FIG. 1 is a front elevational view of a breast form, for the left side of the body, showing my new design;

FIG. 2 is a left side elevational view thereof;

FIG. 3 is a right side elevational view thereof;

FIG. 4 is a top plan view thereof;

FIG. 5 is a bottom plan view thereof;

FIG. 6 is a cross-sectional view taken on line 6—6 of FIG. 1;

FIG. 7 is a cross-sectional view taken on line 7—7 of FIG. 1;

FIG. 8 is a rear elevational view of the breast form of FIG. 1; and,

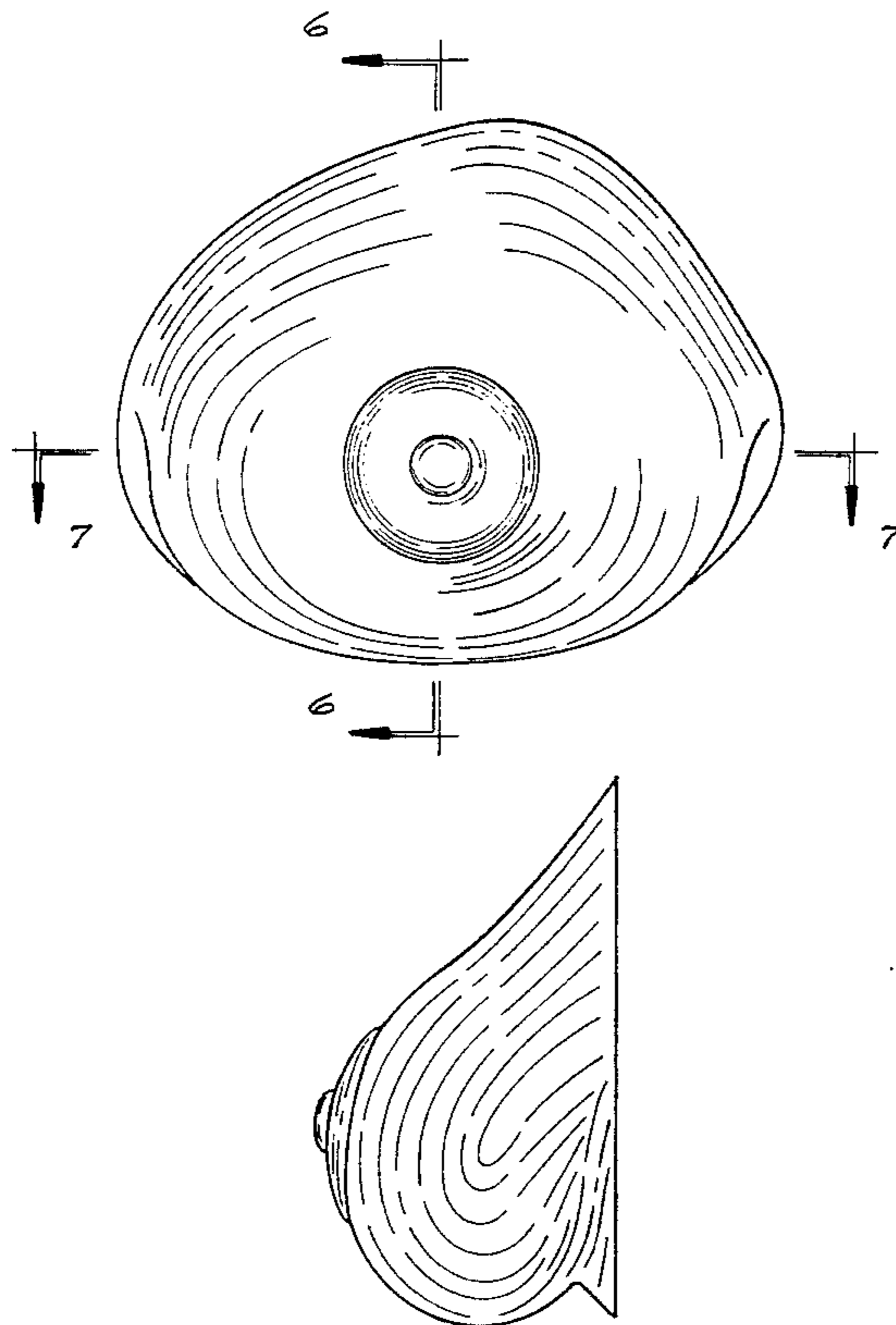
FIG. 9 is a front elevational view of a second embodiment showing a breast form, for the right side of the body; it being a mirror image of the breast form of FIG. 1.

1 Claim, 6 Drawing Sheets

[56] References Cited

U.S. PATENT DOCUMENTS

2,543,499	2/1951	Kausch .	
2,651,783	9/1953	Wright et al. .	
2,752,602	7/1956	Wilhelm .	
2,814,808	12/1957	Berman .	
3,285,247	11/1966	Morin .	
3,663,968	5/1972	Mohl et al. .	
3,852,833	12/1974	Koneke et al. .	
4,125,117	11/1978	Lee .	
4,172,298	10/1979	Rechenberg .	
4,199,825	4/1980	Knoche .	
4,317,241	3/1982	Knoche .	
4,356,573	11/1982	Knoche .	
4,364,880	12/1982	Howse .	
4,426,742	1/1984	Prahl	623/7
4,828,559	5/1989	Greenberg .	
4,950,291	8/1990	Mulligan	623/7 X
5,066,302	11/1991	Rice .	
5,071,433	12/1991	Naestoft et al. .	
5,092,881	3/1992	Weber-Unger et al. .	
5,370,688	12/1994	Schultz et al.	623/7



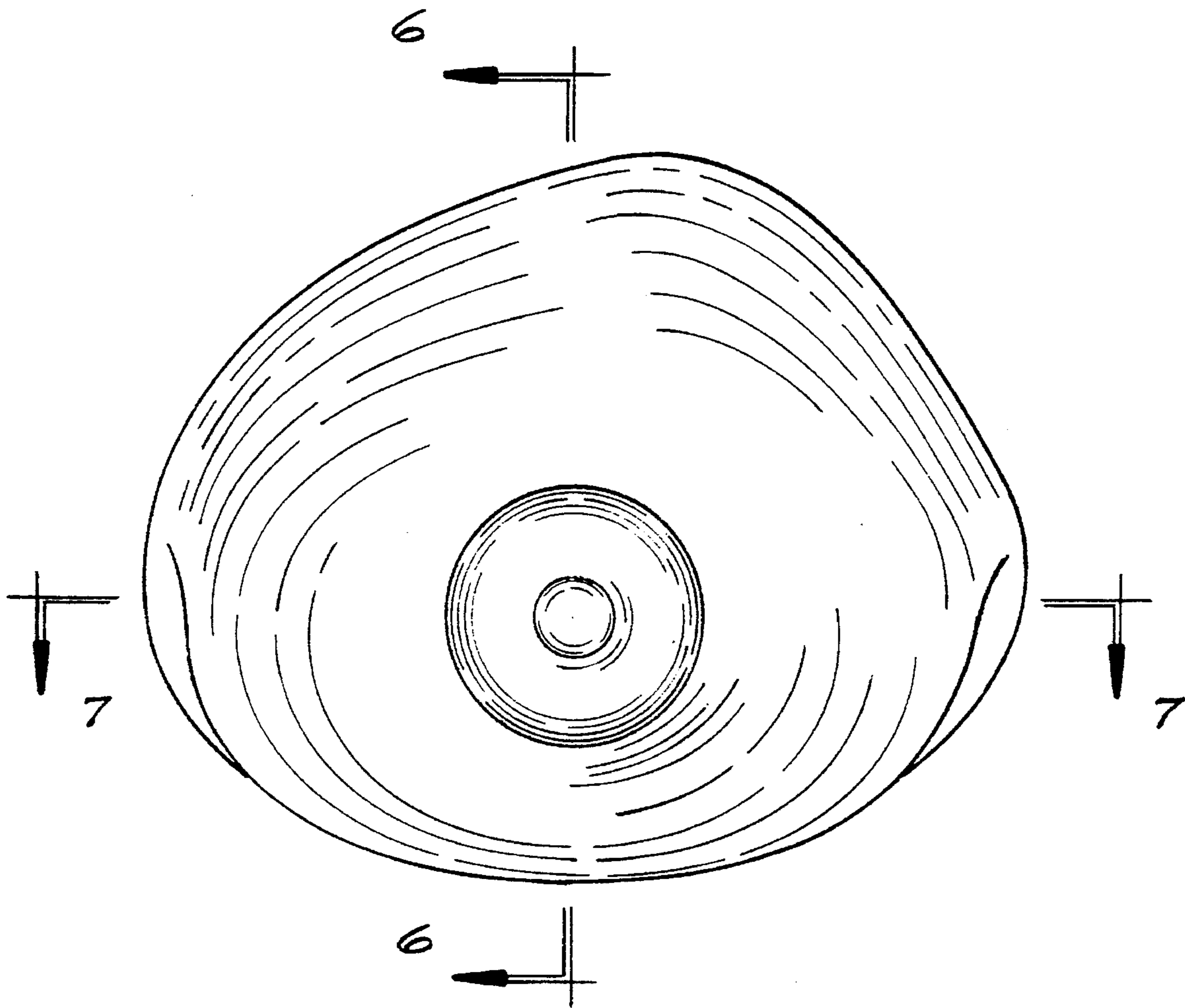


FIG. 1

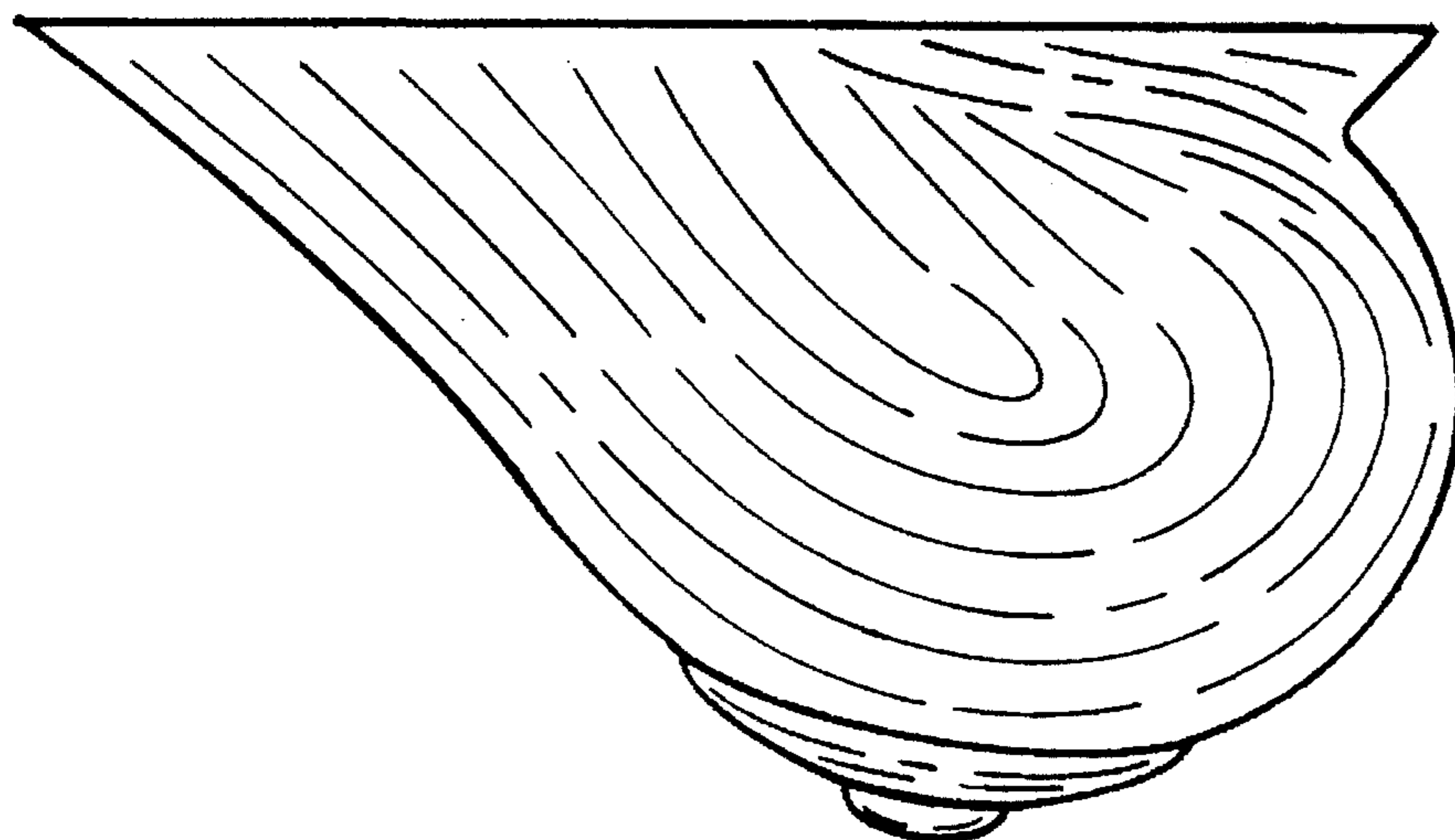


FIG. 2

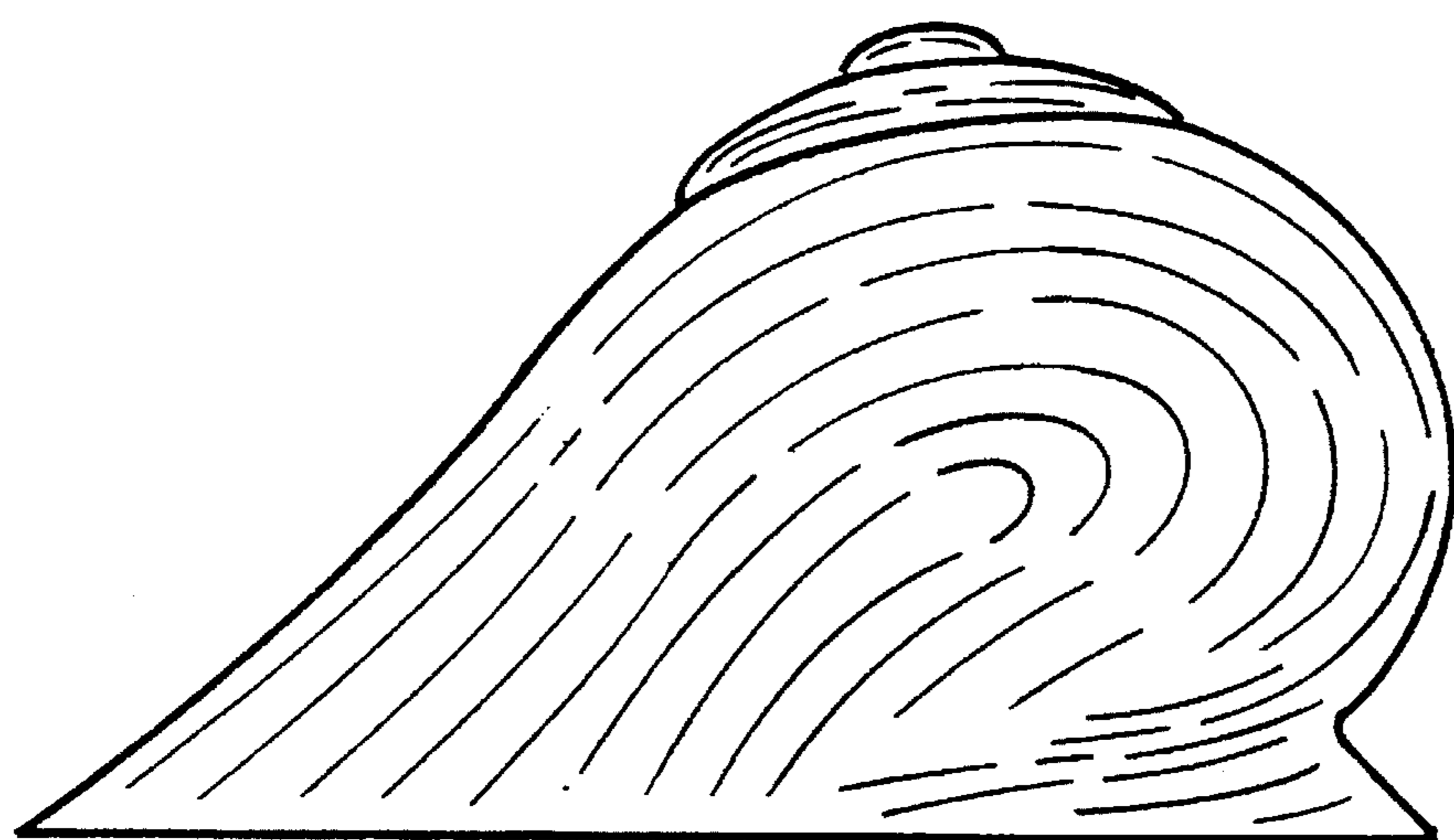


FIG. 3

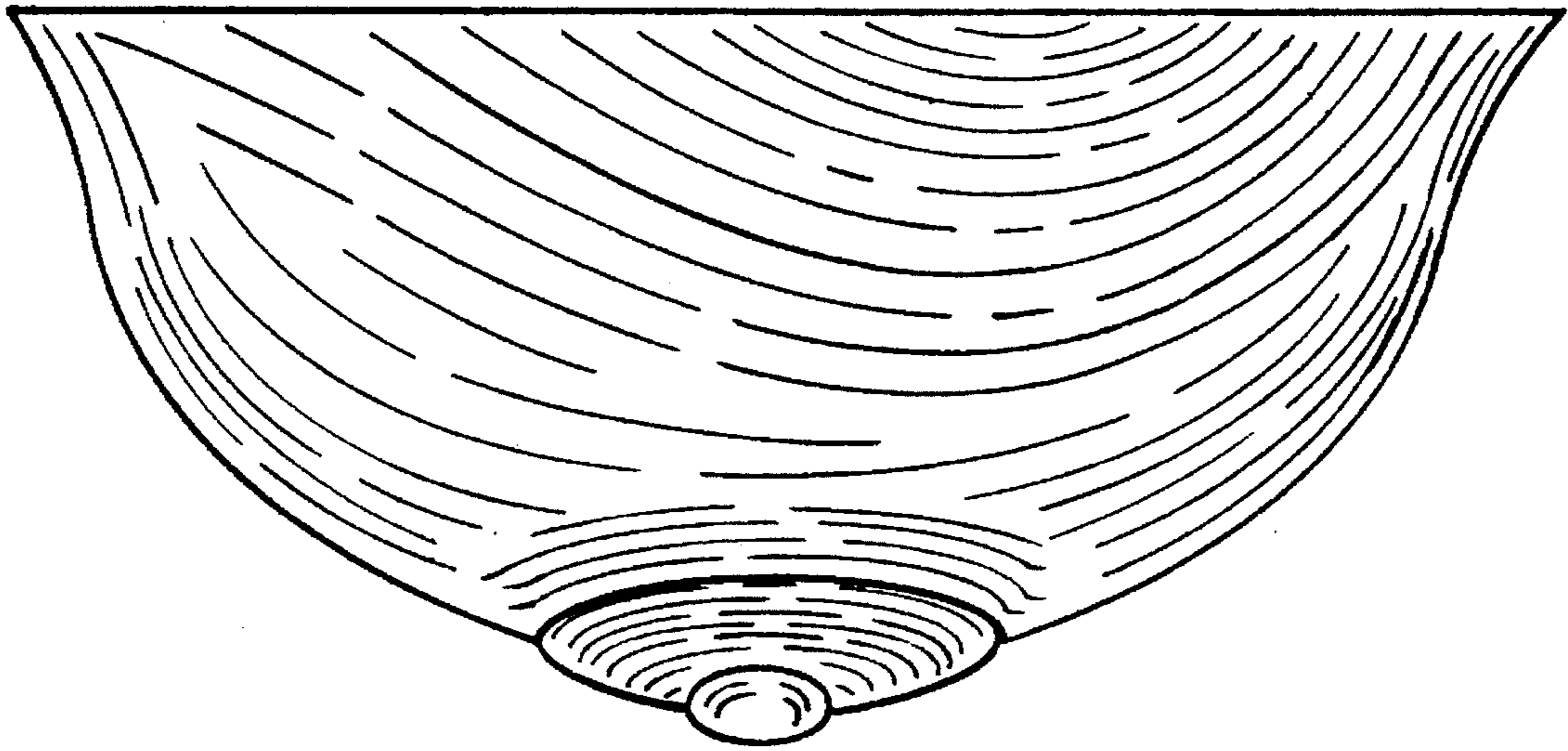


FIG. 4

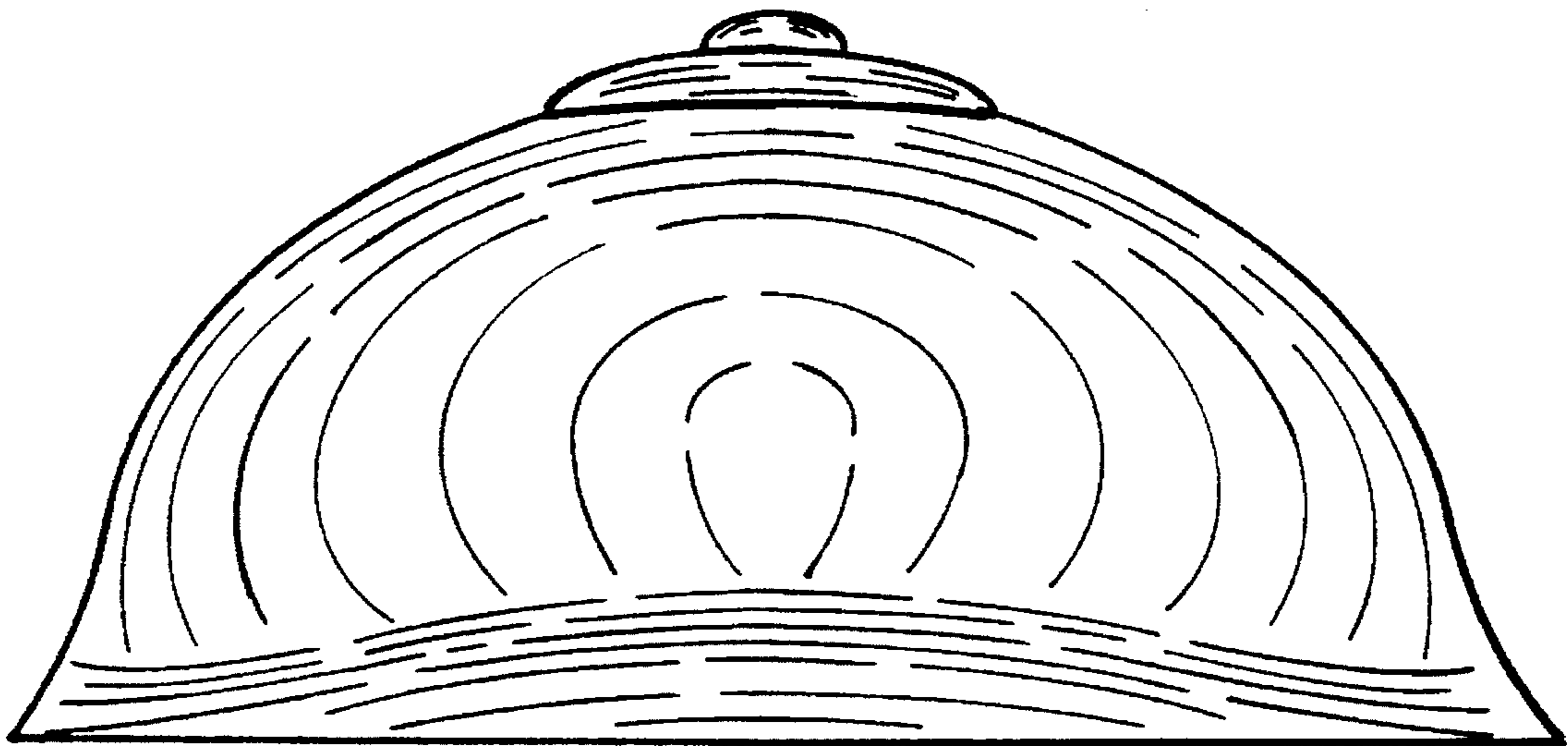


FIG. 5

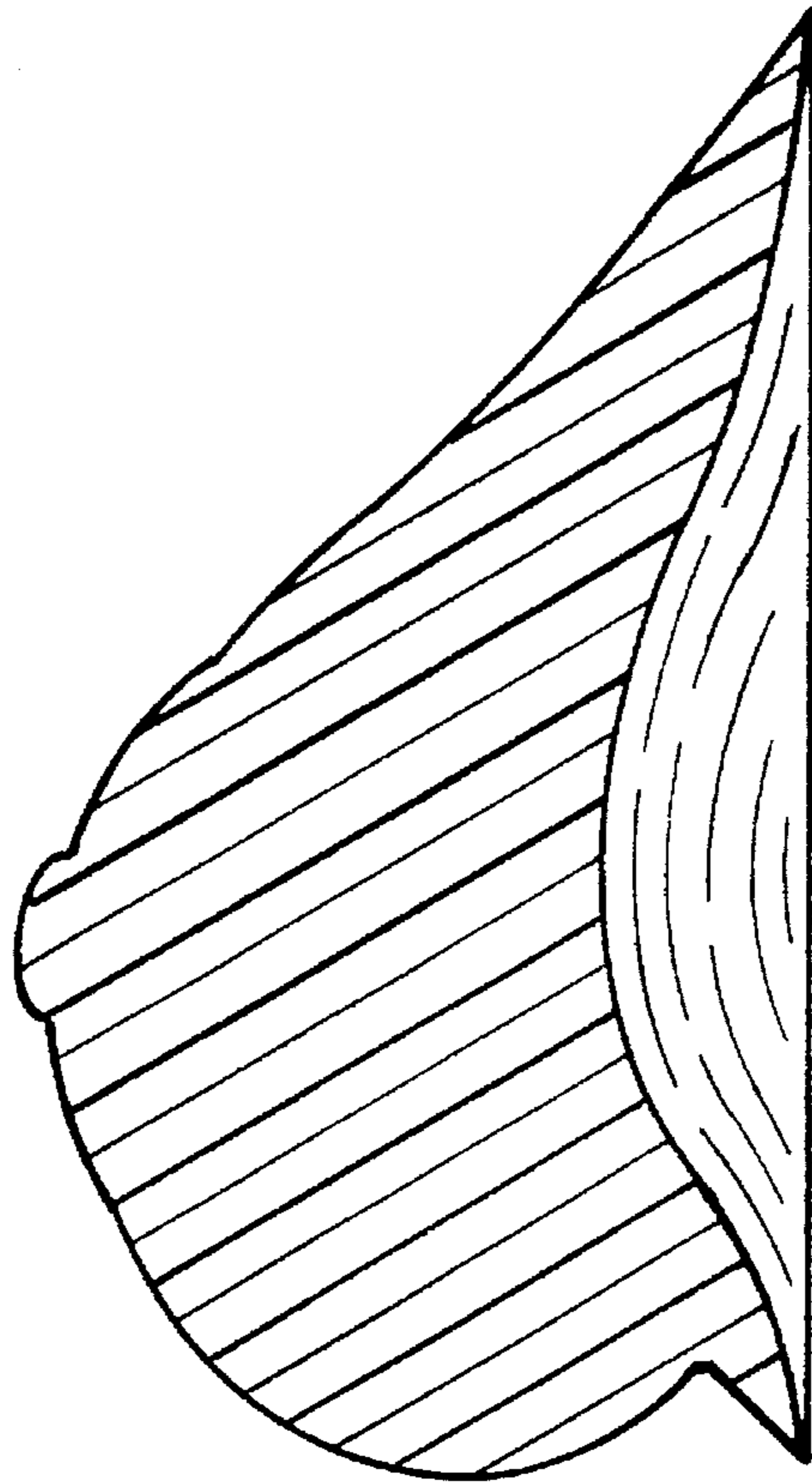


FIG. 6

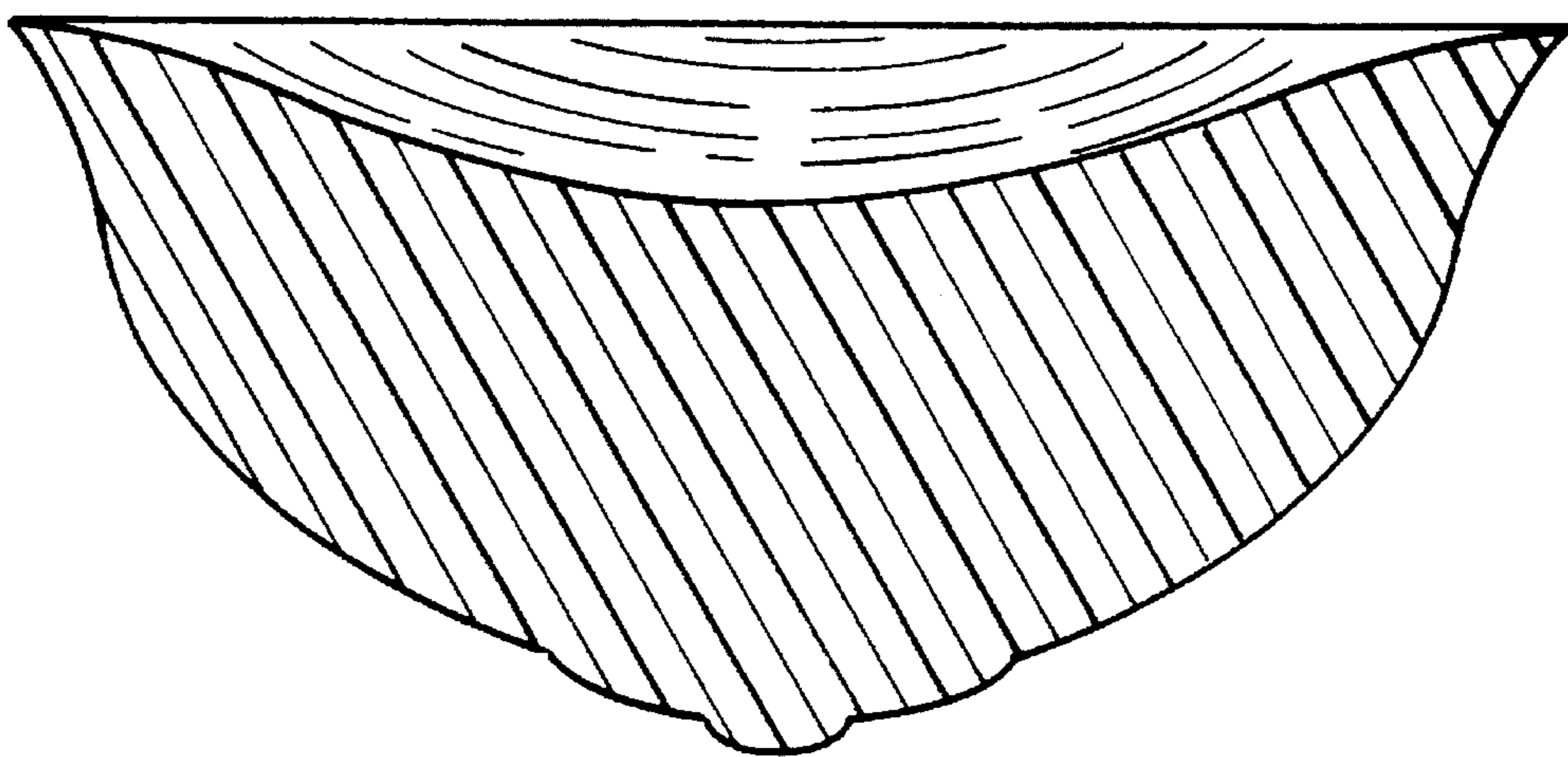


FIG. 7

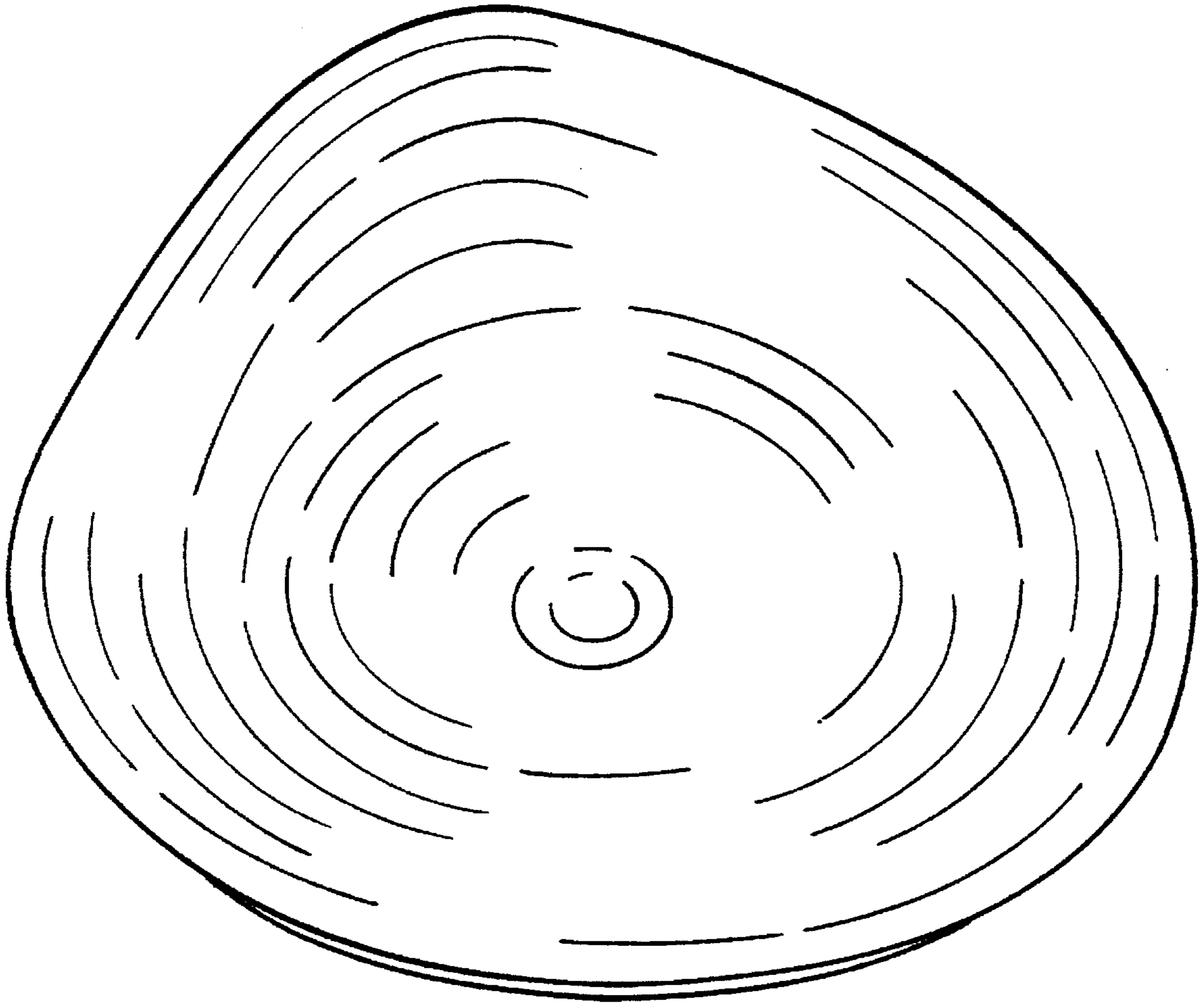


FIG. 8

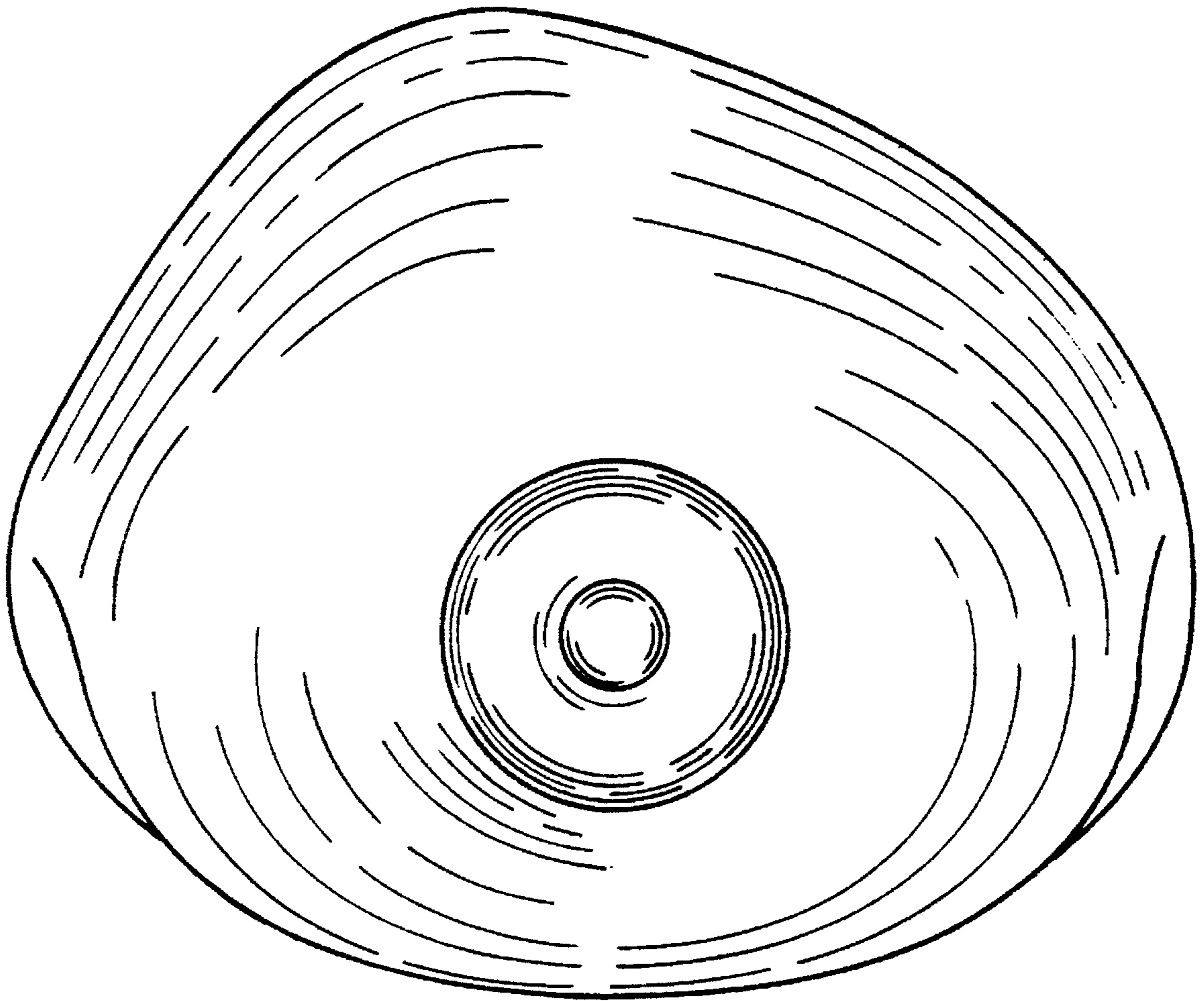


FIG. 9