



US00D378129S

United States Patent [19]

[11] Patent Number: **Des. 378,129**

Wexler et al.

[45] Date of Patent: ****Feb. 18, 1997**

[54] **DISPOSABLE URINE COLLECTION CONTAINER**

[75] Inventors: **Morton Wexler**, Conyers; **Richard M. Kauder**, Lilburn; **James C. Han**, Lawrenceville; **Timothy J. Kelly**, Atlanta, all of Ga.

[73] Assignee: **C. R. Bard, Inc.**, Covington, Ga.

[**] Term: **14 Years**

[21] Appl. No.: **39,716**

[22] Filed: **Jun. 2, 1995**

[52] U.S. Cl. **D24/122**

[58] **Field of Search** D24/123, 121, D24/118; 604/317, 257, 259, 331, 326, 325, 332; 128/760; 4/144.1, 144.2, 144.3

[56] **References Cited**

U.S. PATENT DOCUMENTS

D. 240,337	6/1976	Hanibl	D24/118
D. 348,315	6/1994	Hanibl et al.	D24/122
4,886,504	12/1989	Arvidson et al.	604/257
5,078,677	1/1992	Gentelia et al.	604/317 X
5,331,689	7/1994	Hay	604/317 X
5,487,393	1/1996	Haswell et al.	604/317 VZ

Primary Examiner—Cathy Anne MacCormac
Assistant Examiner—I. Simmons
Attorney, Agent, or Firm—Jones & Askew

[57] **CLAIM**

The ornamental design for a disposable urine collection container, as shown and described.

DESCRIPTION

FIG. 1 is a perspective view of the disposable urine collection container with various hoses and clamps, which form a part of the environment of the container, being shown in phantom;

FIG. 2 is a front view of the disposable urine collection container of FIG. 1;

FIG. 3 is a left side view of the disposable urine collection container of FIG. 1;

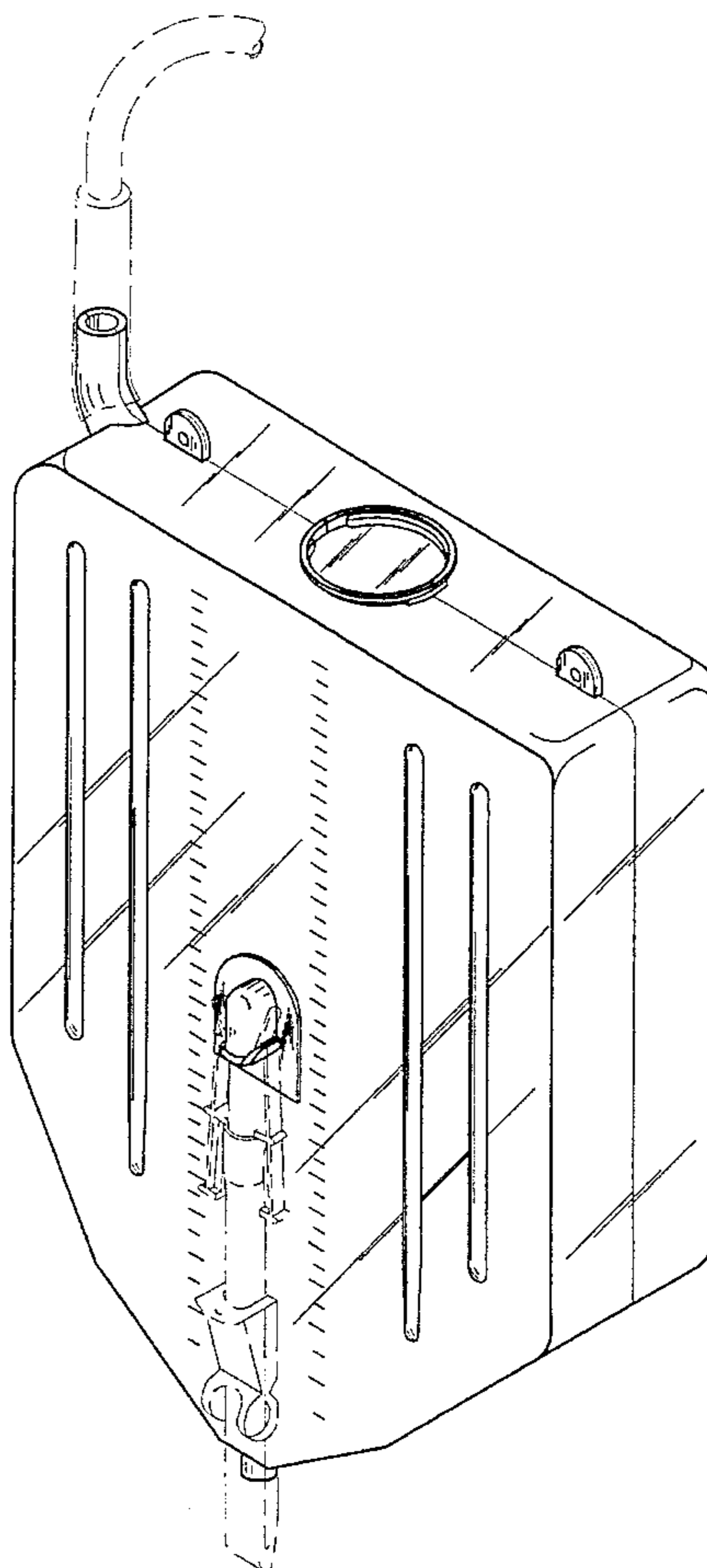
FIG. 4 is a right side view of the disposable urine collection container of FIG. 1;

FIG. 5 is a rear view of the disposable urine collection container of FIG. 1;

FIG. 6 is a top view of the disposable urine collection container of FIG. 1; and,

FIG. 7 is a bottom view of the disposable urine collection container of FIG. 1.

1 Claim, 3 Drawing Sheets



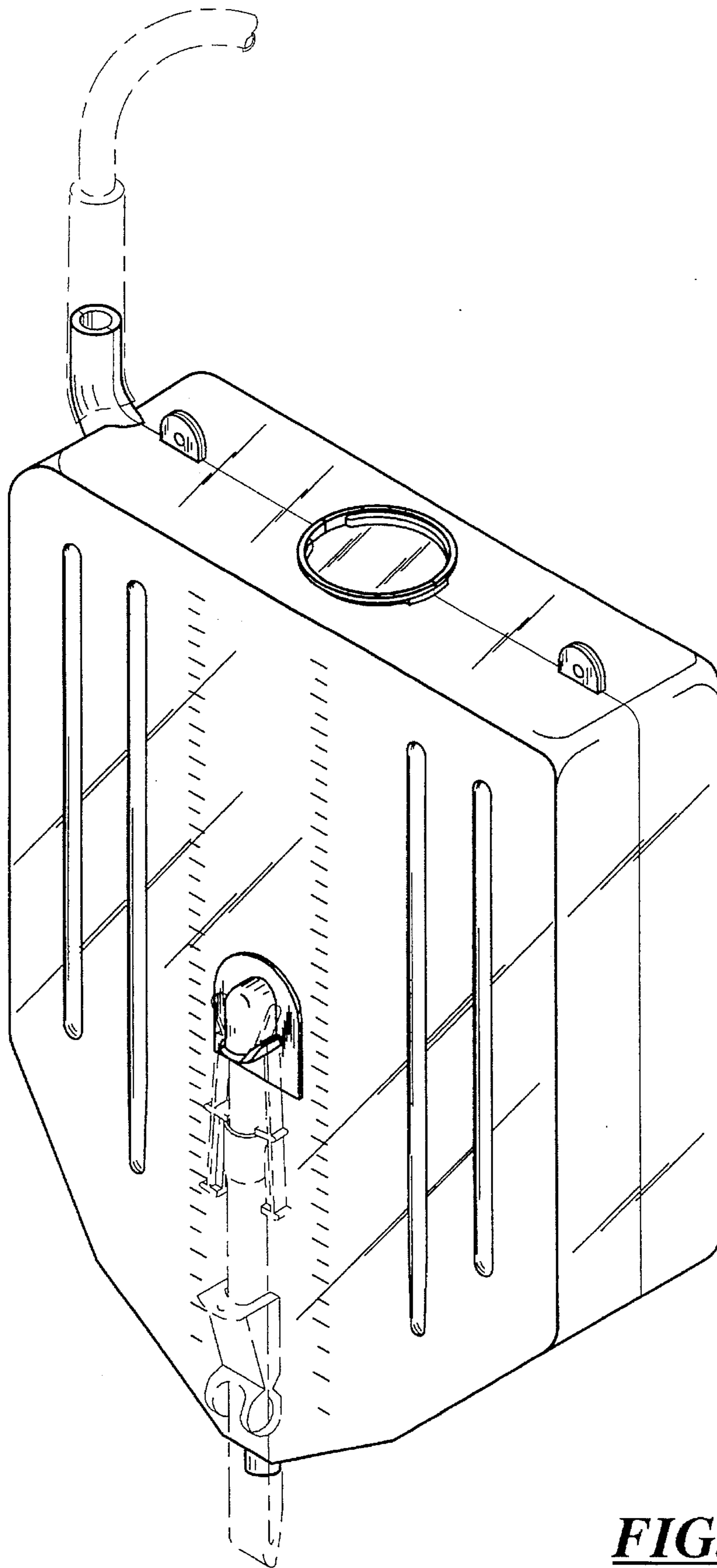


FIG. 1

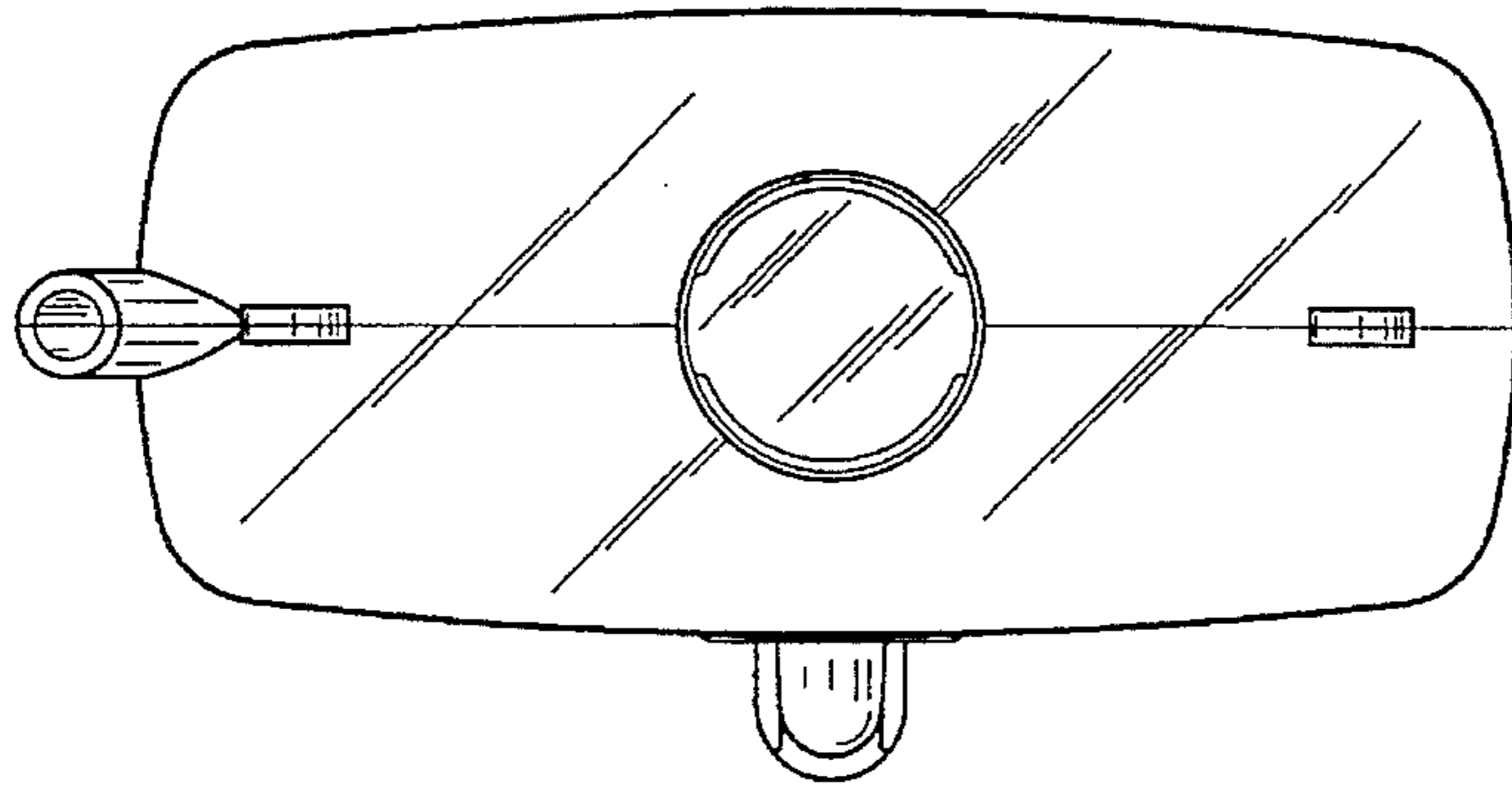


FIG. 6

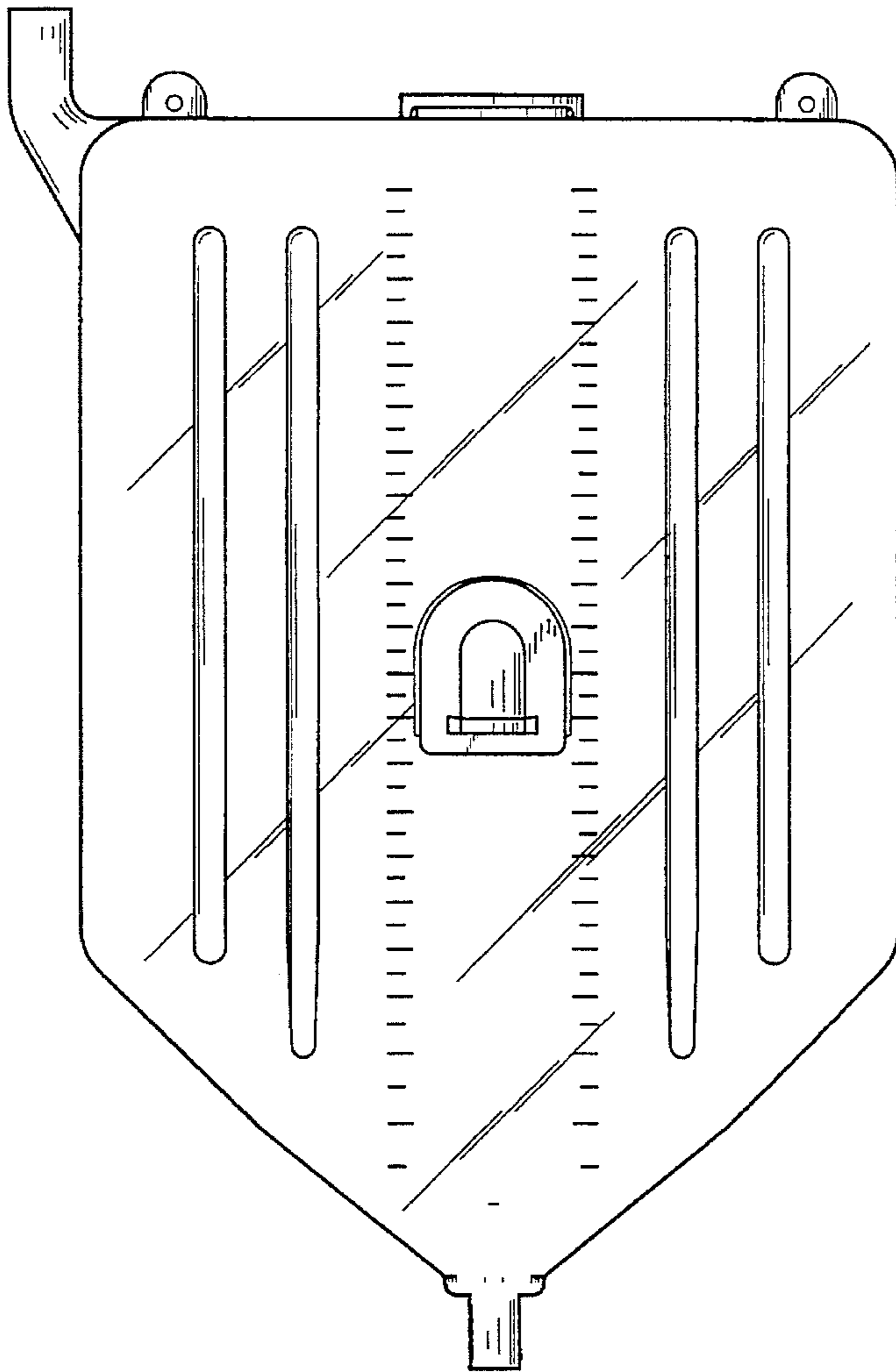


FIG. 2

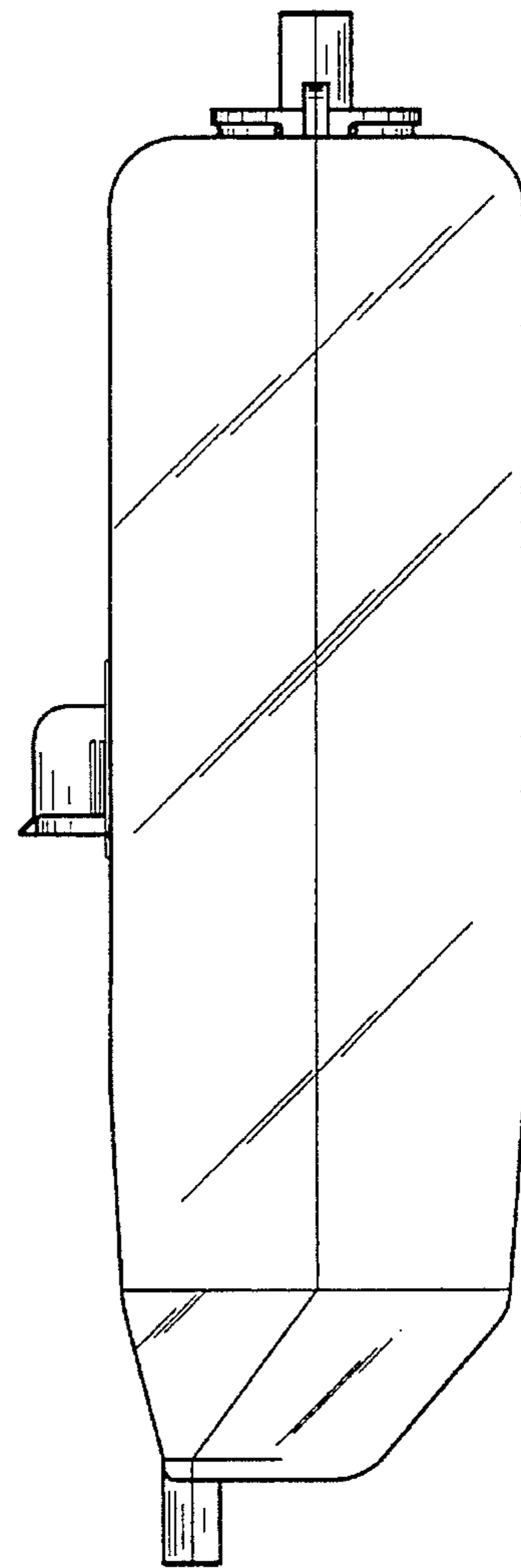


FIG. 4

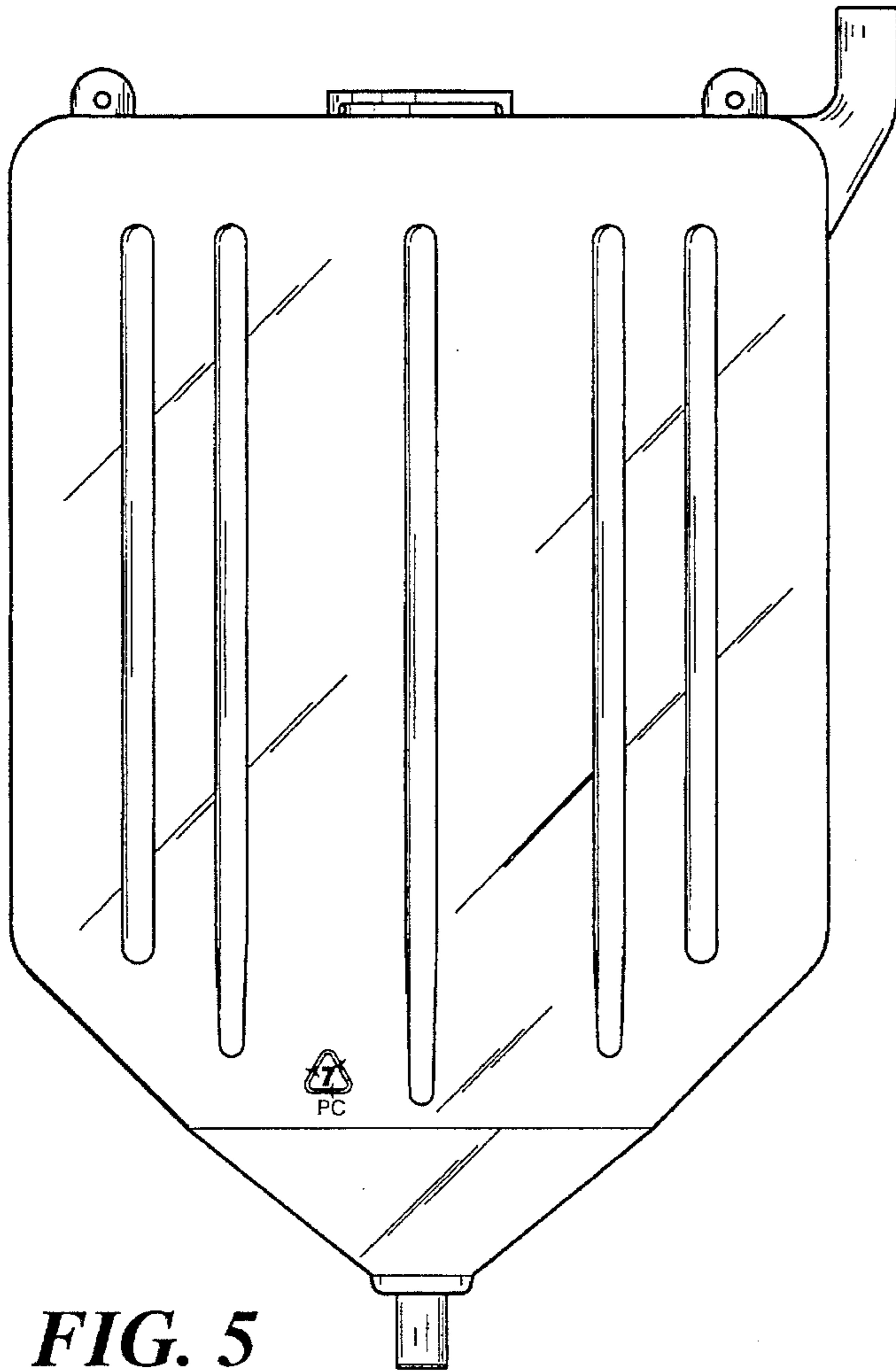


FIG. 5

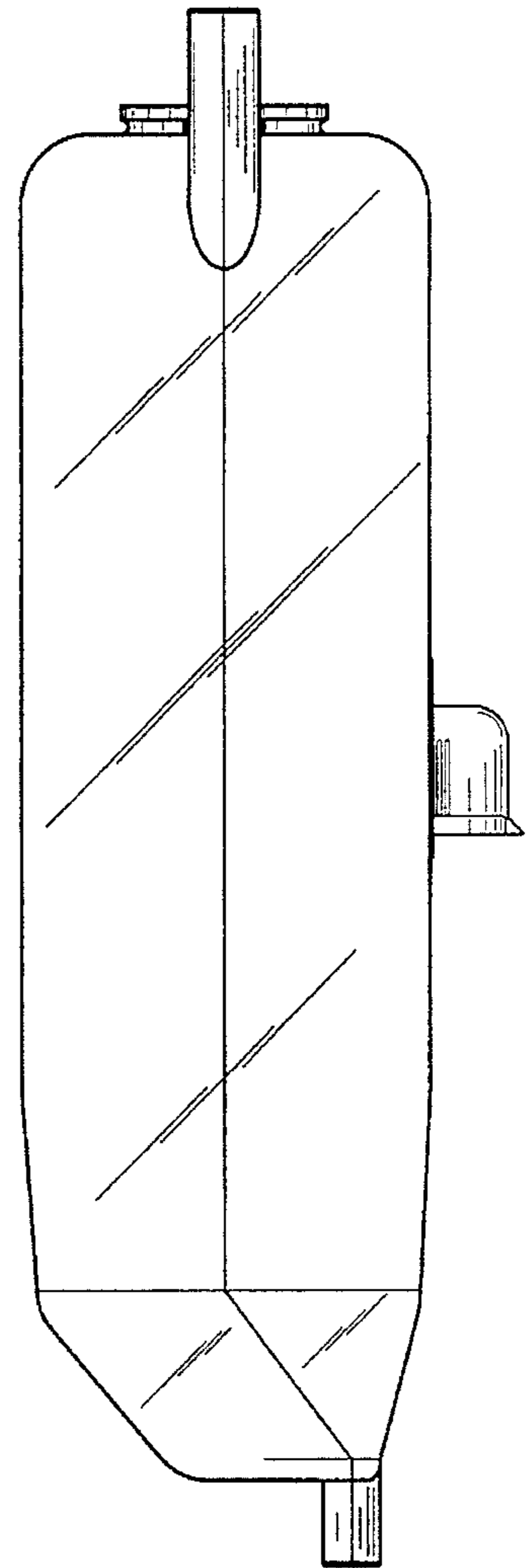


FIG. 3

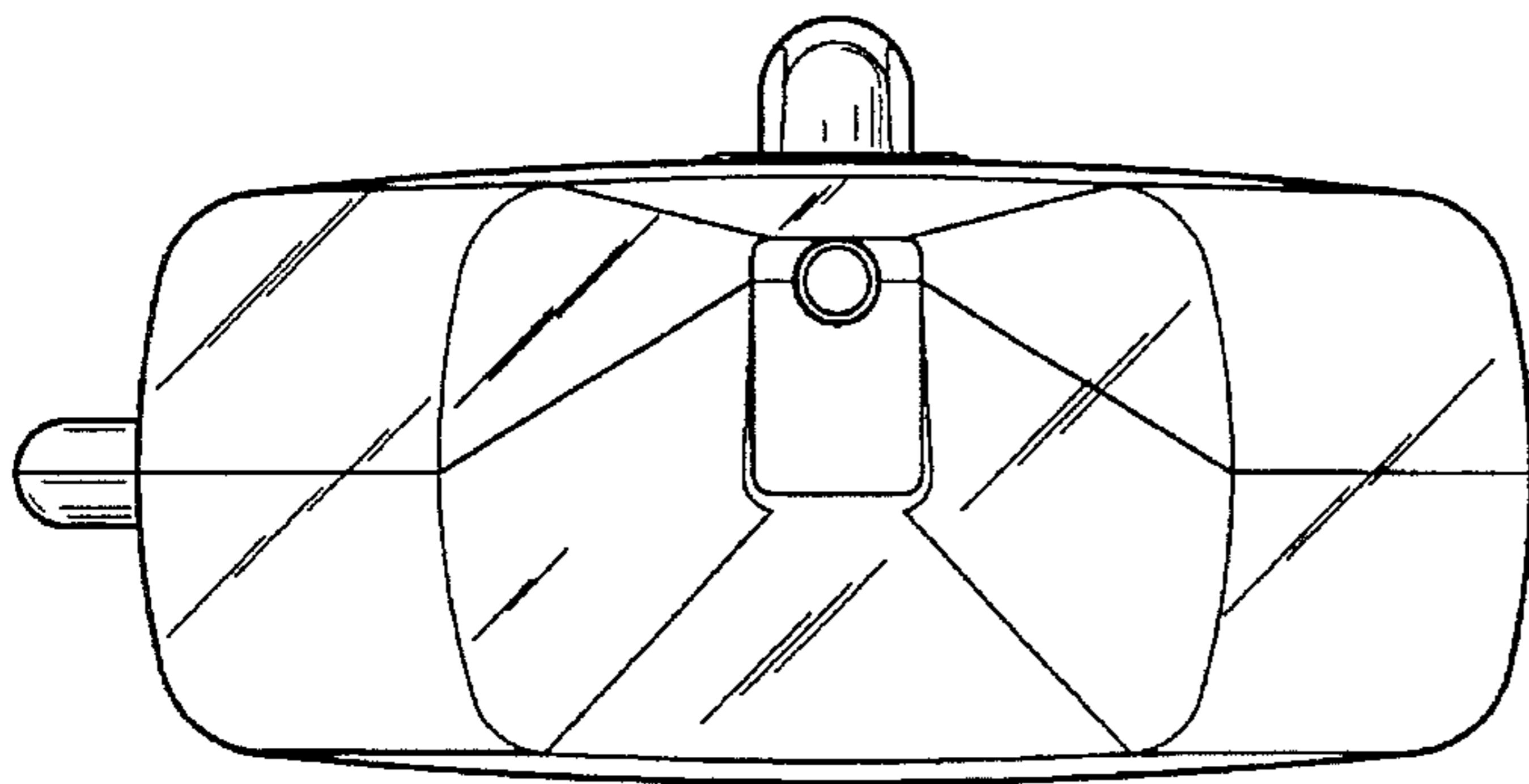


FIG. 7