



US00D378128S

United States Patent [19]

[11] Patent Number: **Des. 378,128**

Rozek et al.

[45] Date of Patent: ****Feb. 18, 1997**

[54] **CABINET FOR NEBULIZER**

[75] Inventors: **Roy J. Rozek**, Plymouth; **Jeff H. Behnke**; **Todd W. Leonhard**, both of Sheboygan, all of Wis.; **John Ledingham**, Chicago, Ill.

[73] Assignee: **Thomas Industries Inc.**, Sheboygan, Wis.

[**] Term: **14 Years**

[21] Appl. No.: **46,283**

[22] Filed: **Nov. 13, 1995**

[52] U.S. Cl. **D24/110**

[58] Field of Search D24/110; D15/7, D15/9; 128/200.14, 200.16, 200.18, 204.18, 203.12; D23/356

[56] **References Cited**

U.S. PATENT DOCUMENTS

D. 222,687	11/1971	Adams	D24/110
D. 348,927	7/1994	Attolini	D24/110
D. 358,874	5/1995	Cunning	D23/356
5,117,819	6/1992	Servidio et al.	128/204.18
5,299,565	4/1994	Brown	128/204.18

OTHER PUBLICATIONS

Mada product brochure dated Nov. 1994 showing models 275 and 276 nebulizers.
Invacare product brochure dated Oct. 1995 showing a model IRC 1190 aerosol compressor.
DeVilbiss product brochure dated 1994 showing a Pulmo-Mate™ compressor/nebulizer.

Caire product brochure dated Mar. 1994 showing an Attache™ compressor driven nebulizer.

Healthdyne Technologies product brochure showing a model 323 compressor driven nebulizer, undated but admitted prior art.

Medline Industries product brochure dated 1995 showing a model HCS twelve hundred nebulizer/compressor system.

Schuco product brochure dated 1993 showing model 125 nebulizers.

Pari respiratory equipment advertisement showing a Promeb™ compressor, undated but a admitted prior art.

B&F Medical Products product brochure showing a Maxi Neb™ compressor, undated but admitted prior art.

Primary Examiner—Louis S. Zarfes

Assistant Examiner—I. Simmons

Attorney, Agent, or Firm—Quarles & Brady

[57] **CLAIM**

The ornamental design for a cabinet for nebulizer, as shown and described.

DESCRIPTION

FIG. 1 is a perspective view taken from the top front and left side of a cabinet for nebulizer embodying our new design; FIG. 2 is a elevational view thereof; FIG. 3 is a rear elevational view thereof; FIG. 4 is a top plan view thereof; FIG. 5 is a bottom plan thereof; FIG. 6 is a left side elevational view thereof; and, FIG. 7 is a right side elevational view thereof.

The fragmentary broken line representations of vents are for the purpose of illustration only and form no part of the claimed design.

1 Claim, 7 Drawing Sheets

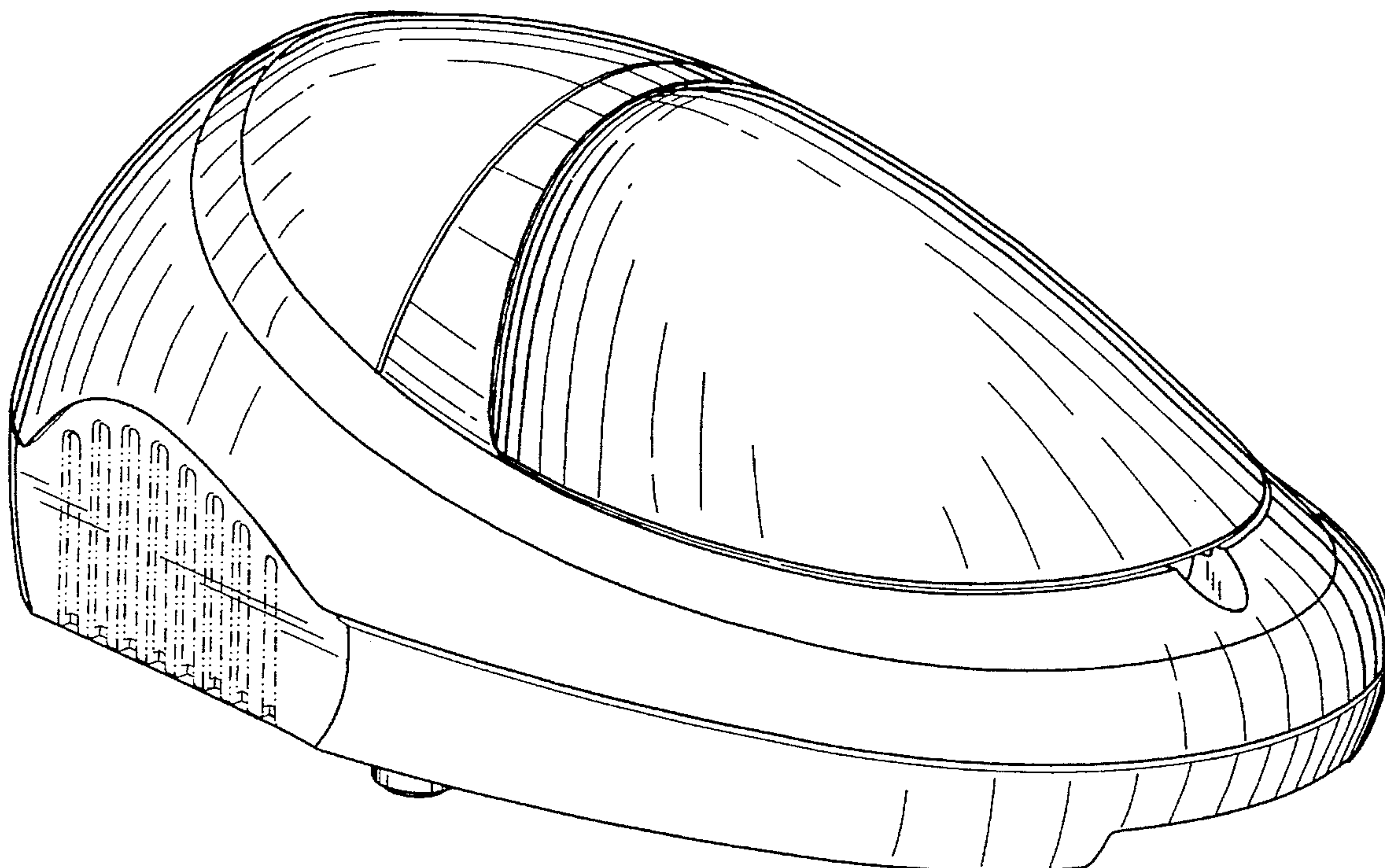
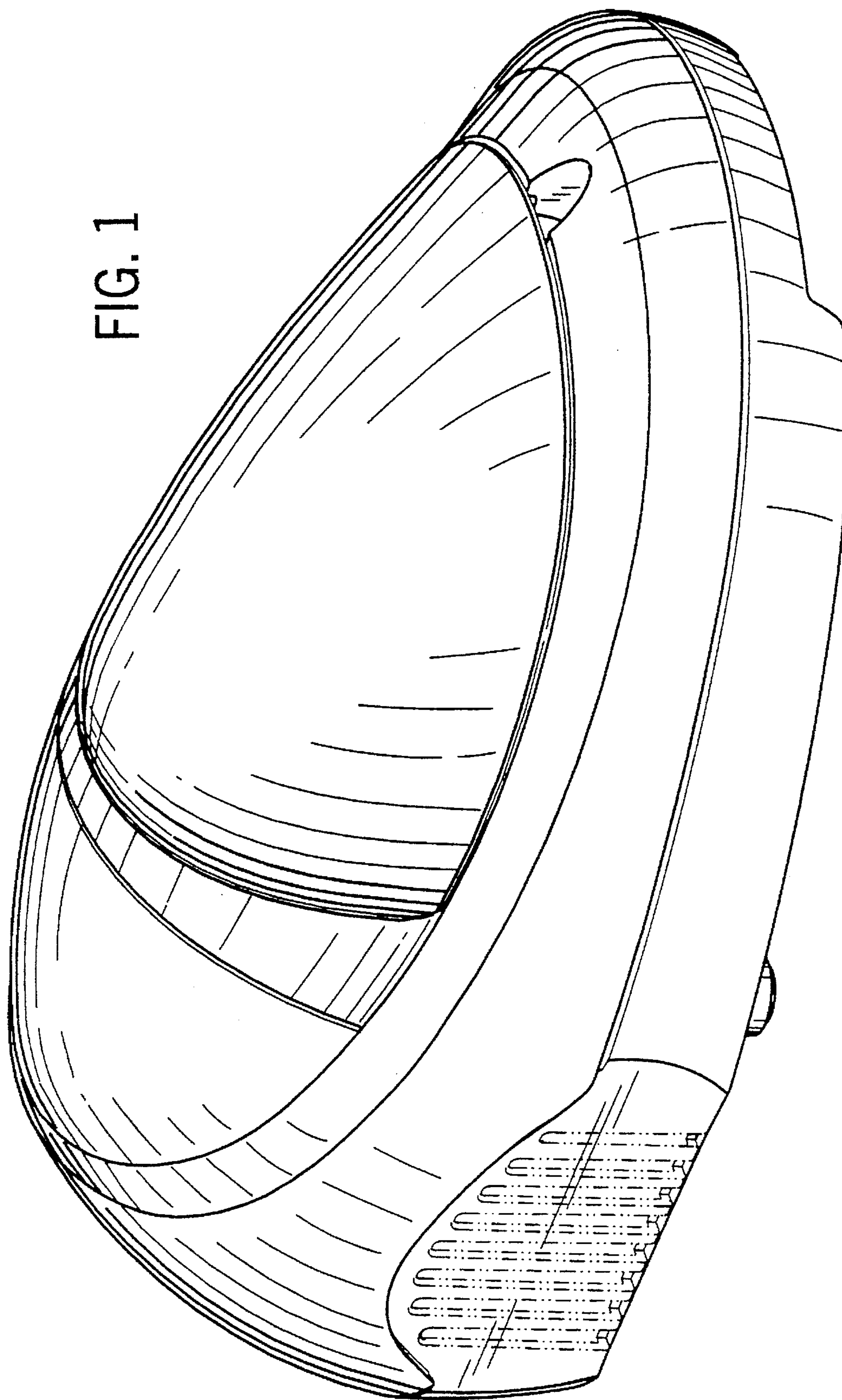


FIG. 1



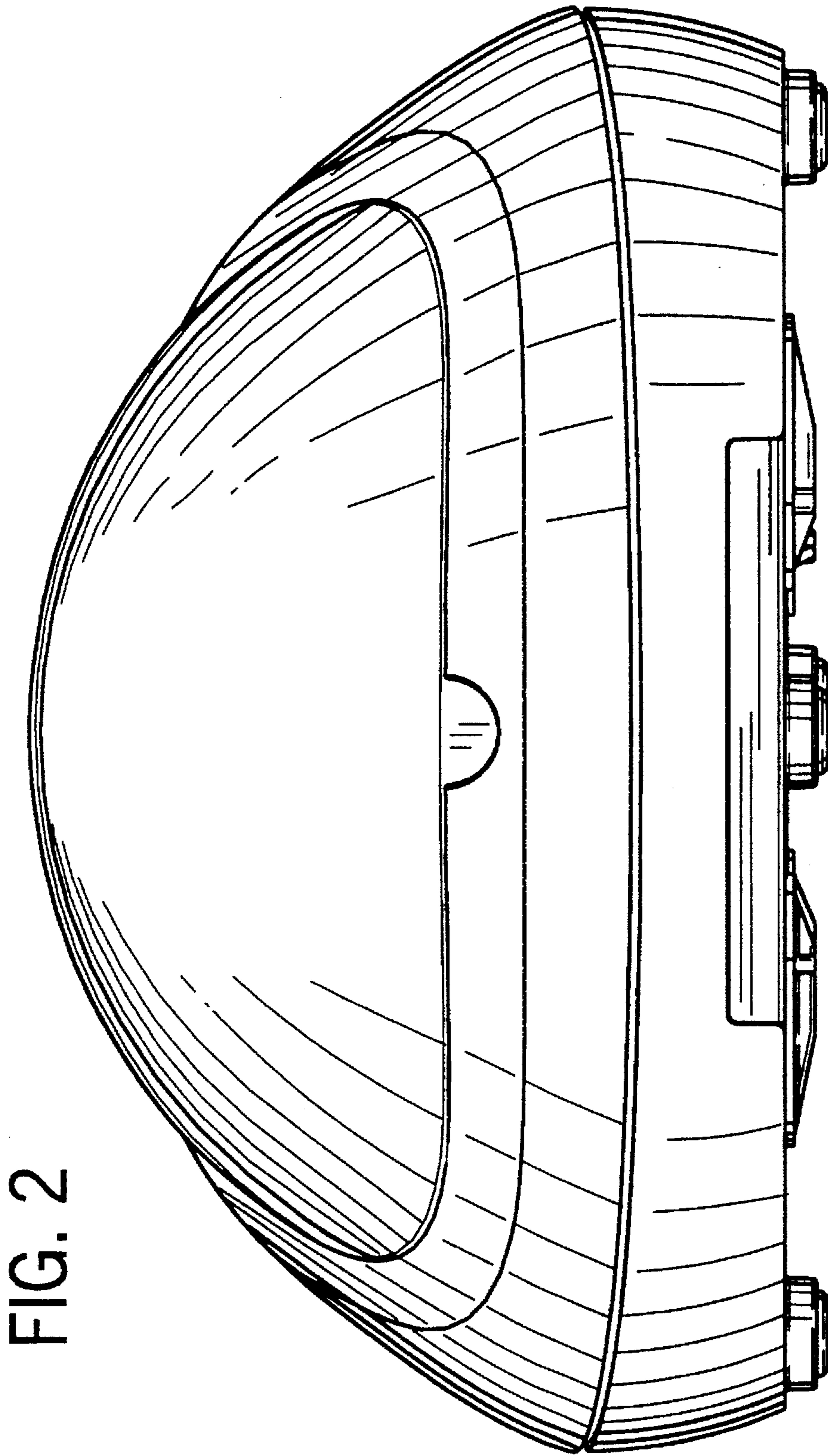


FIG. 2

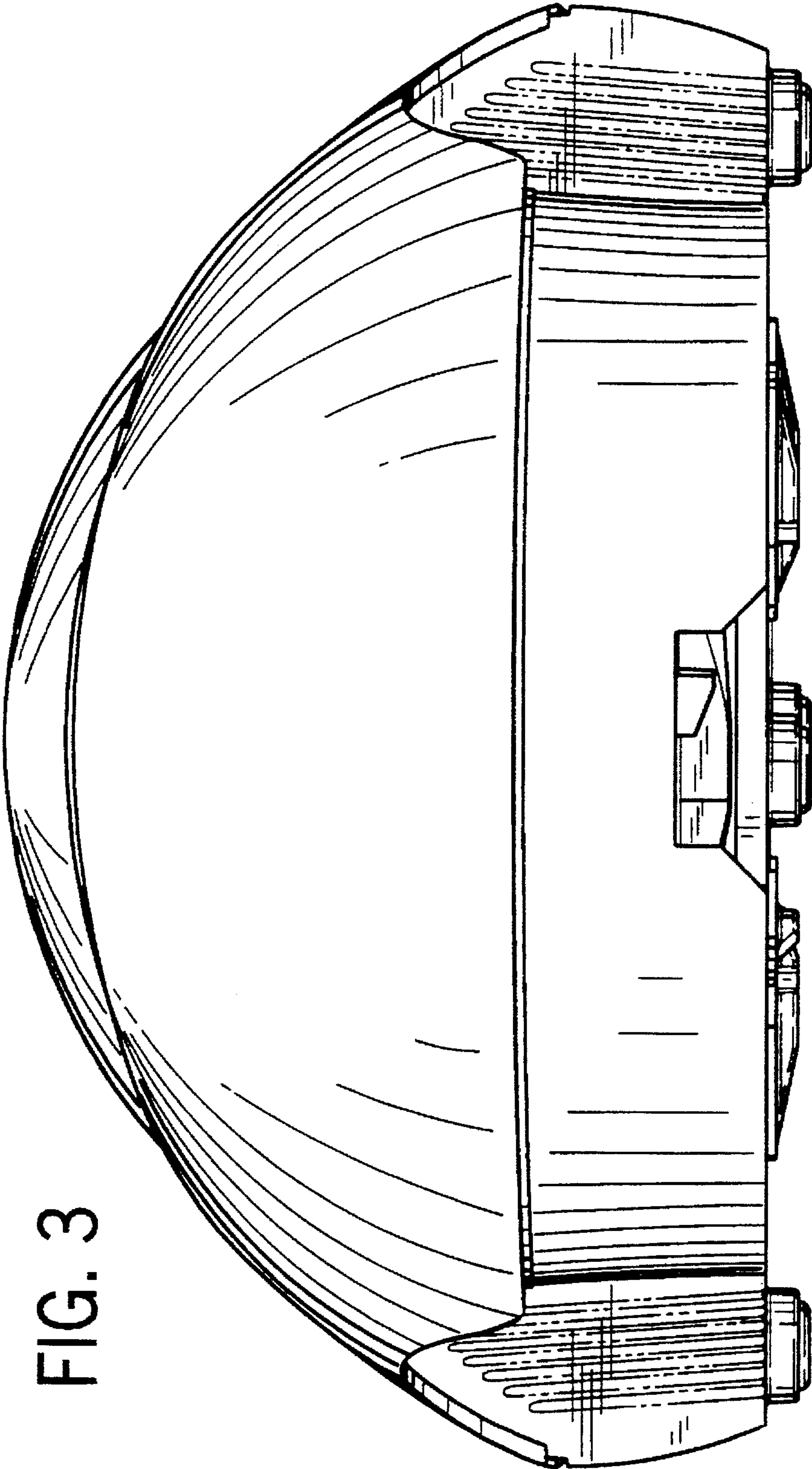


FIG. 3

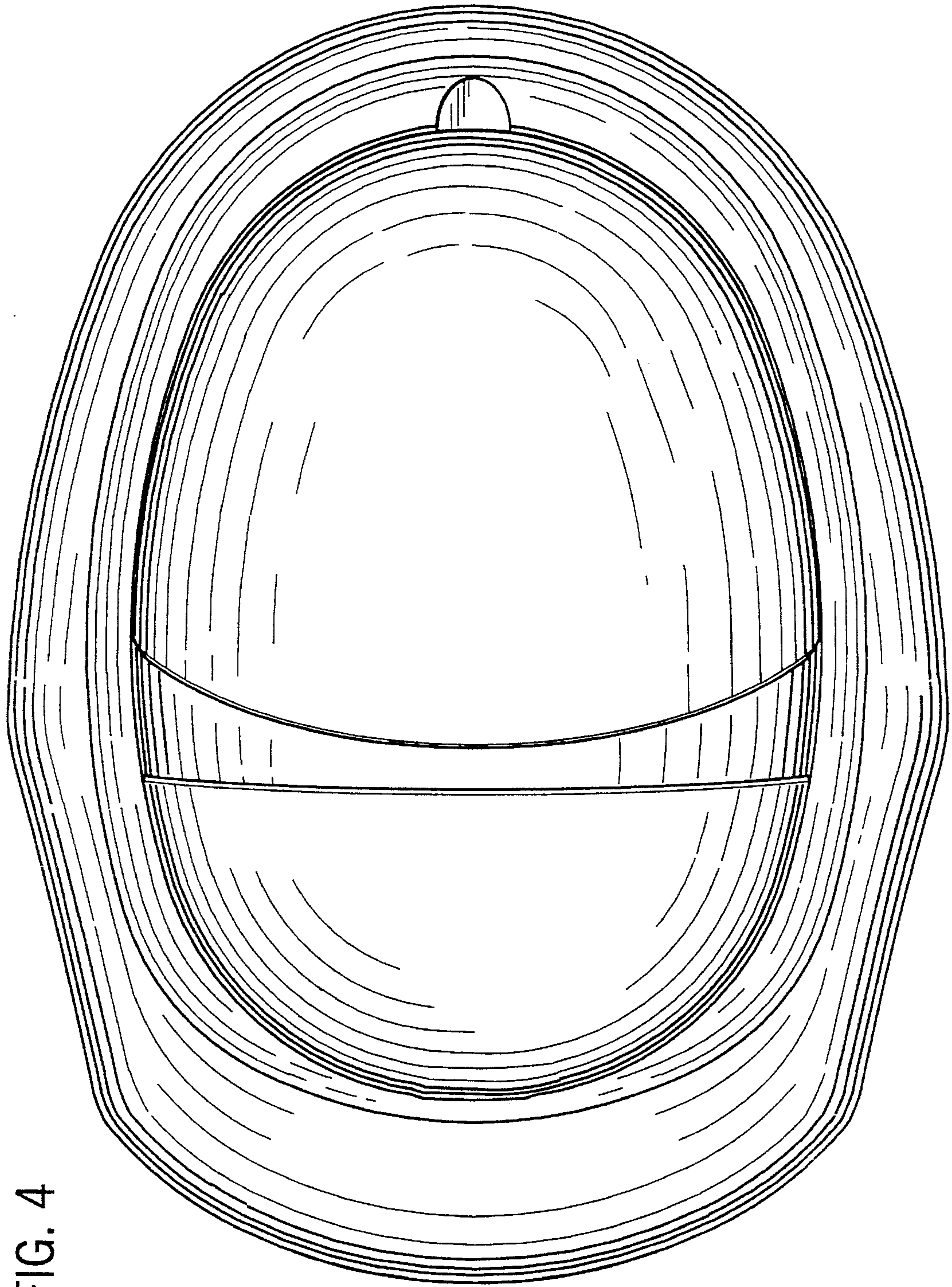


FIG. 4

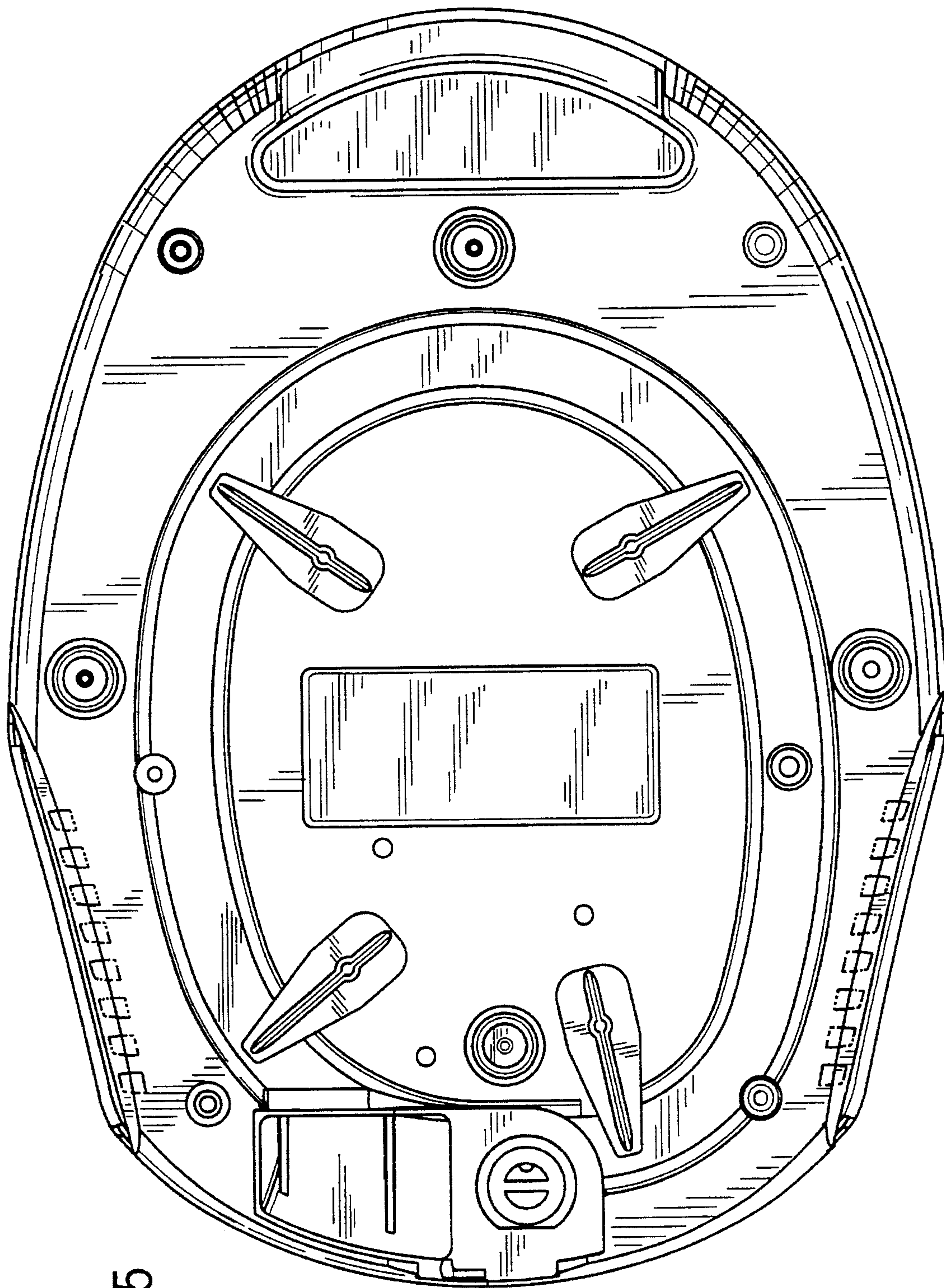
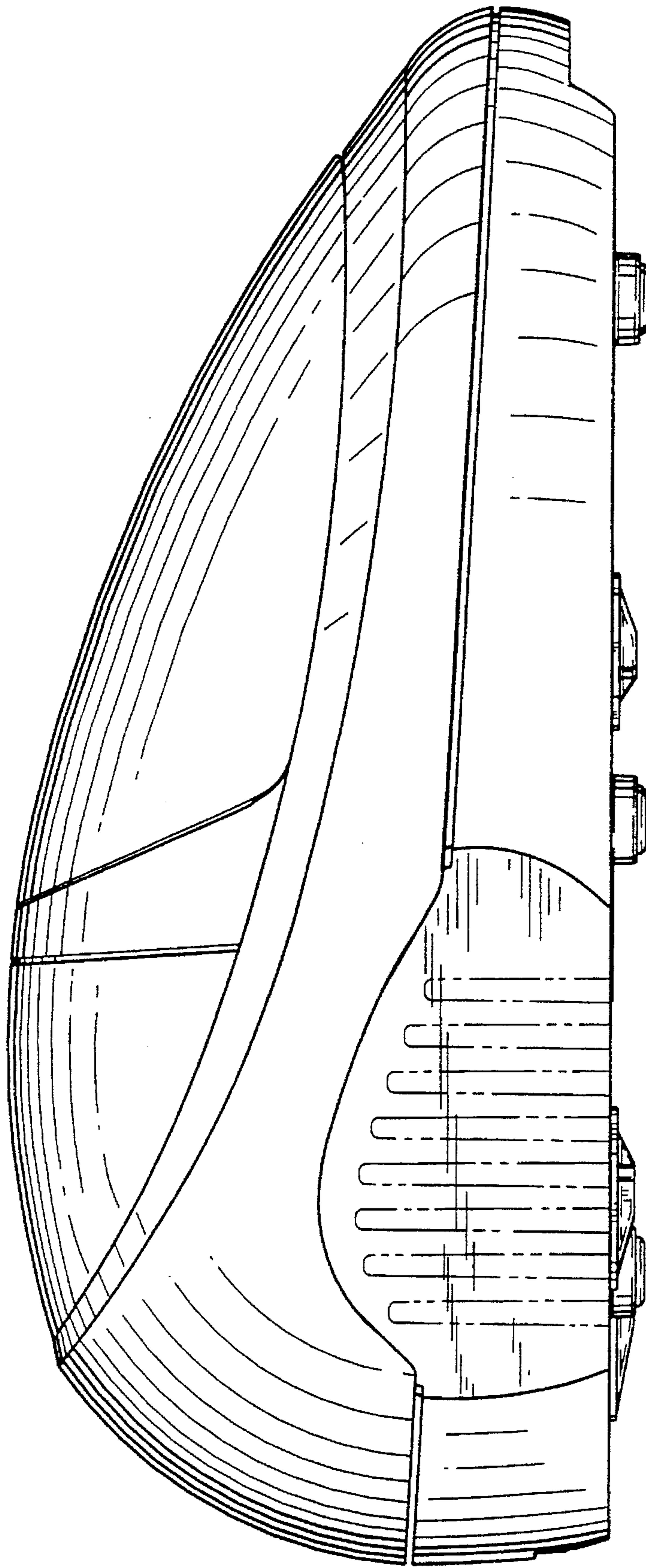


FIG. 5

FIG. 6



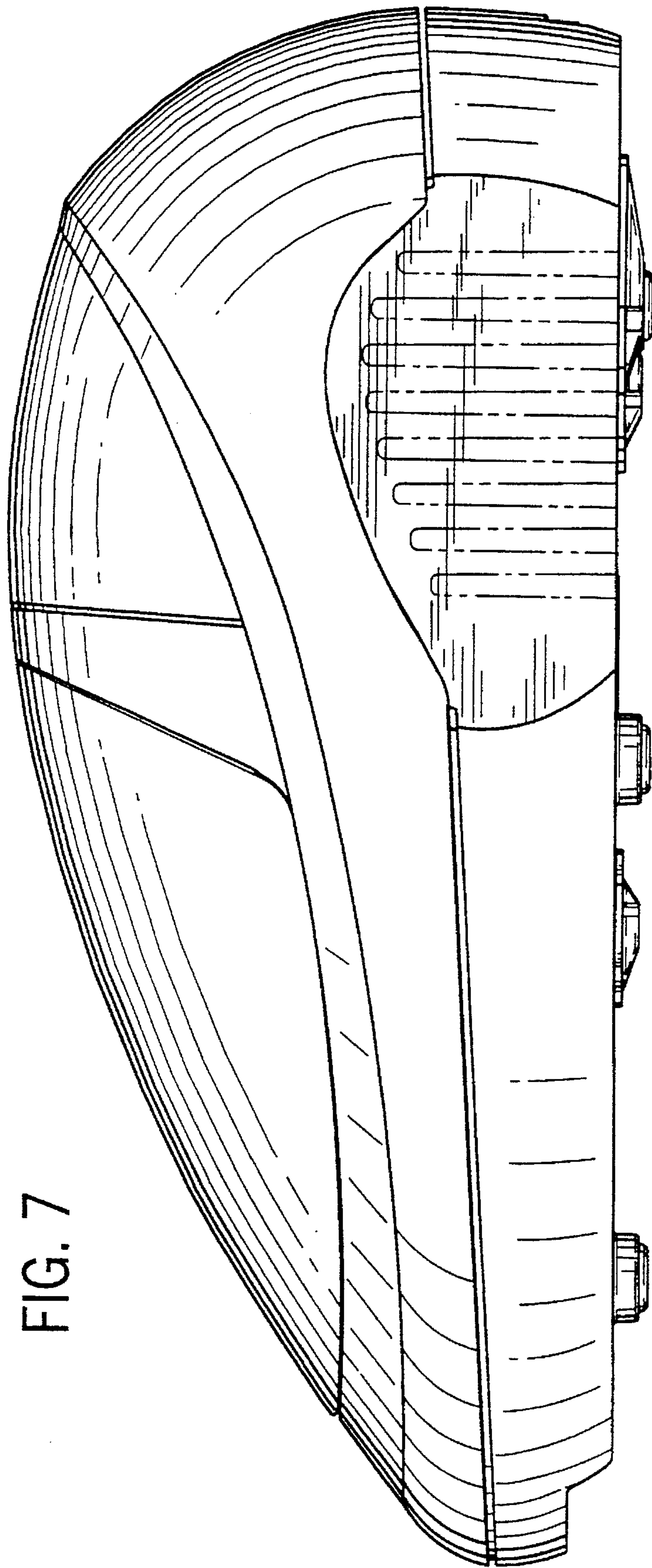


FIG. 7