



US00D378127S

United States Patent [19]

[11] Patent Number: **Des. 378,127**

Brown

[45] Date of Patent: ****Feb. 18, 1997**

[54] **EAR PLUG**

Primary Examiner—Louis S. Zarfes
Assistant Examiner—I. Simmons
Attorney, Agent, or Firm—Baker & Daniels

[76] Inventor: **John J. Brown**, 4890 Buffalo Rd.,
Buchanan, Mich. 49107

[57] **CLAIM**

[**] Term: **14 Years**

The ornamental design for an ear plug, as shown and described.

[21] Appl. No.: **44,466**

DESCRIPTION

[22] Filed: **Sep. 25, 1995**

[52] U.S. Cl. **D24/106**

[58] Field of Search D24/106; D14/205;
181/129, 130, 135; 128/864, 865, 860

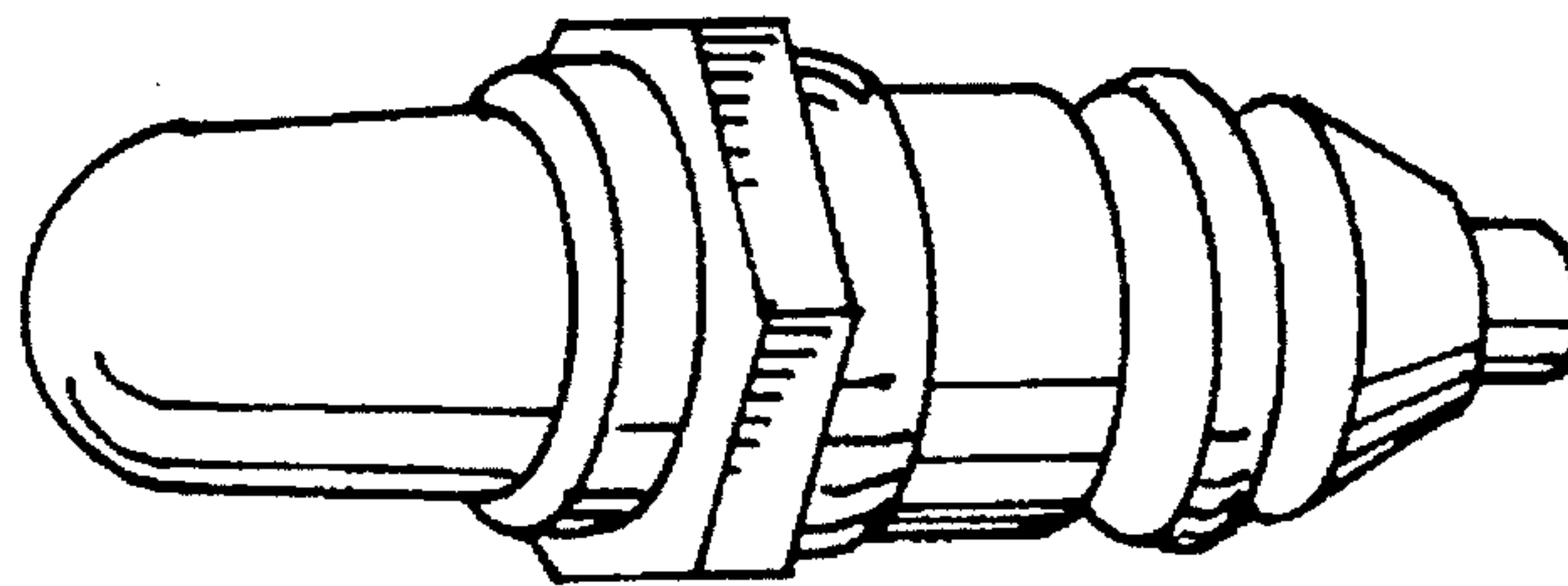
FIG. 1 is a perspective view of an ear plug illustrating my new design;
FIG. 2 is a side elevation view thereof, the opposite side elevational view being a mirror image of that shown;
FIG. 3 is a top plan view thereof; the opposite bottom plan view being a mirror image of that shown;
FIG. 4 is a front side elevational view thereof;
FIG. 5 is a rear side elevational view thereof;
FIG. 6 is a perspective view of an ear plug illustration my new design; and,
FIG. 7 is a partial side elevational view thereof; the opposite side elevational view being a mirror image of that shown. The broken line showing in the FIGS. 6 and 7 are for illustrative purposes only and forms no part of the claimed design.

[56] **References Cited**

U.S. PATENT DOCUMENTS

D. 277,317	1/1985	Eisenmenger	D24/106
D. 292,530	10/1987	Andersson	D24/106
D. 331,966	1/1992	Gardner, Jr.	D24/106
D. 338,267	8/1993	Scholey	D24/106
2,670,737	3/1954	Canton	128/864
3,259,128	7/1966	Leight	181/135 X
4,461,290	7/1984	Gardner, Jr. et al.	128/866
4,490,857	1/1985	Leight et al.	128/866 X
4,671,265	6/1987	Anderson	D24/106 X
5,298,691	3/1994	Leight	181/135

1 Claim, 2 Drawing Sheets



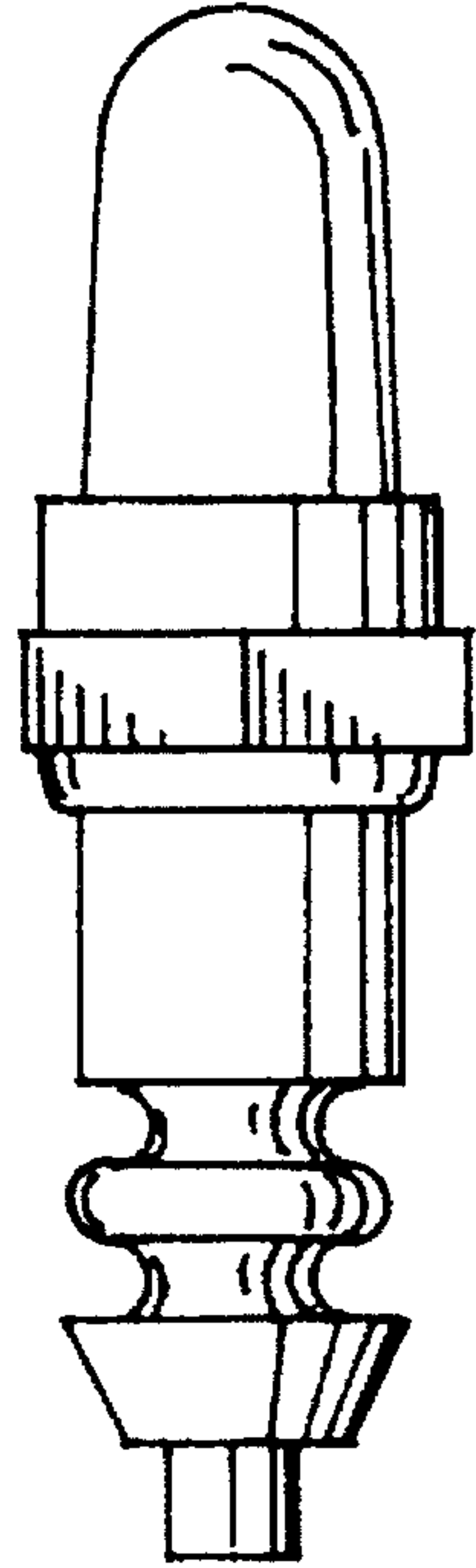


FIG. 2

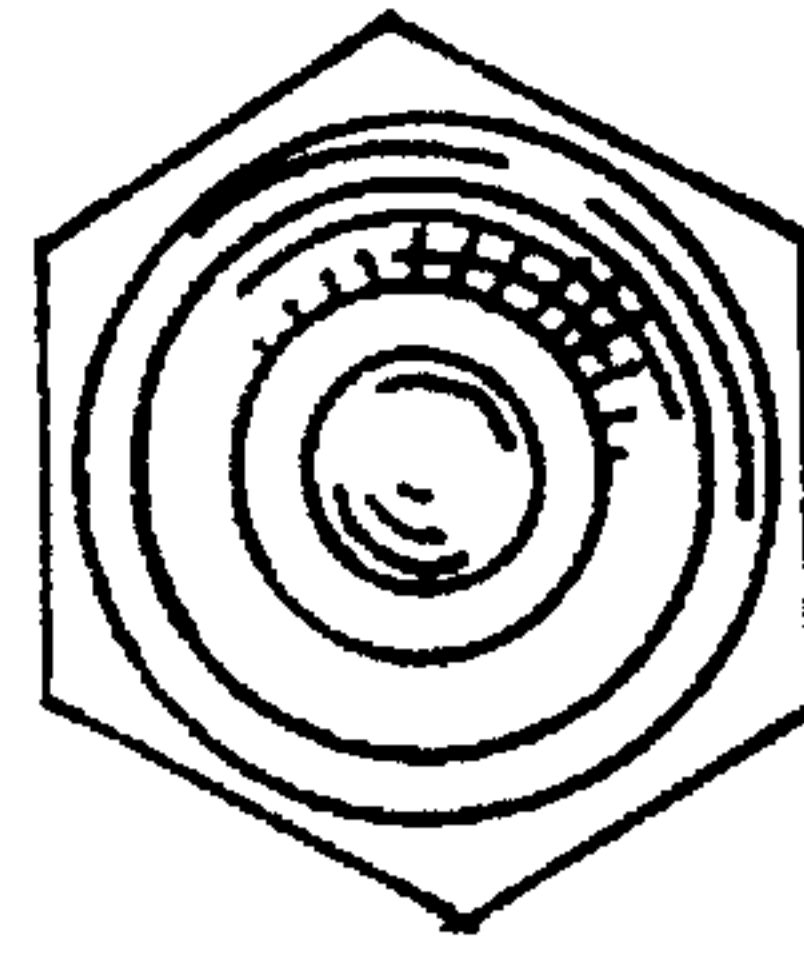


FIG. 5

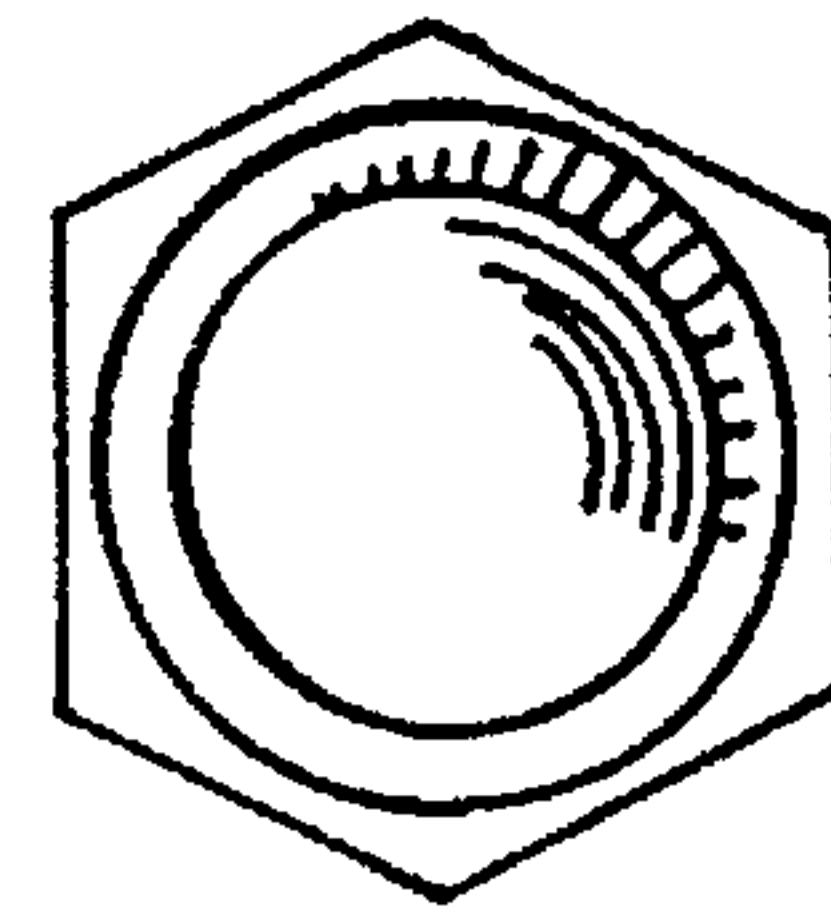


FIG. 4

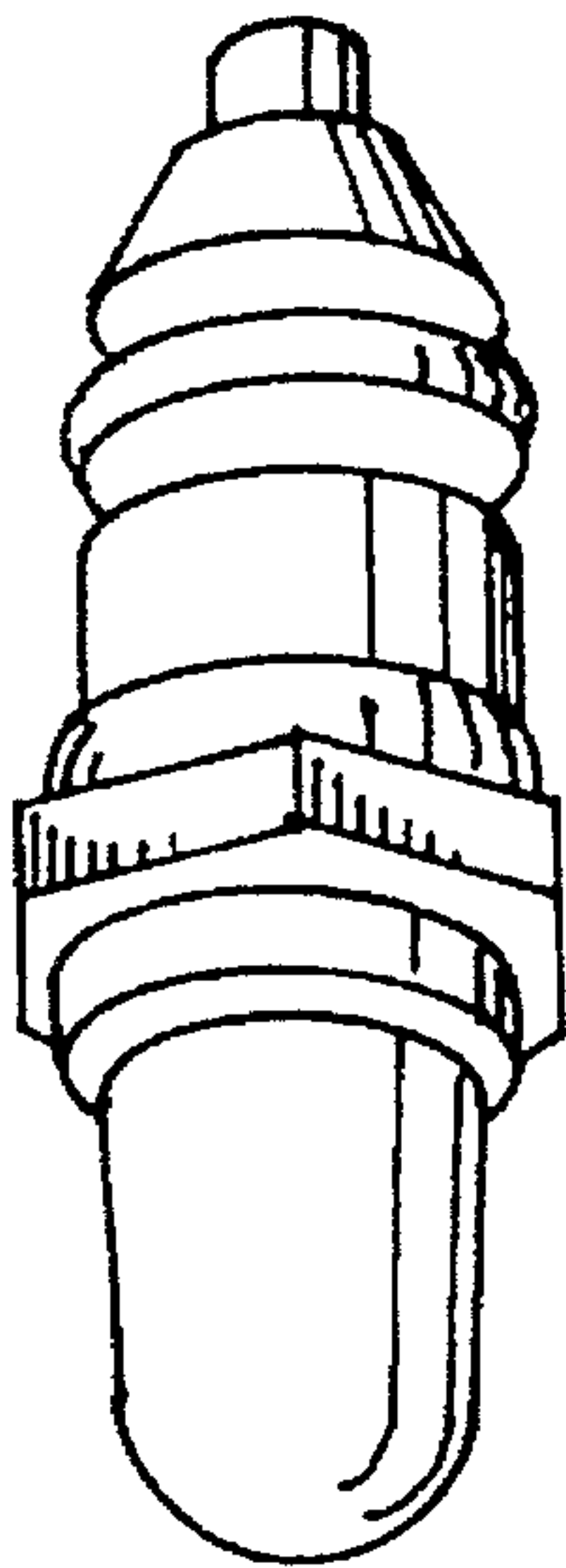


FIG. 1

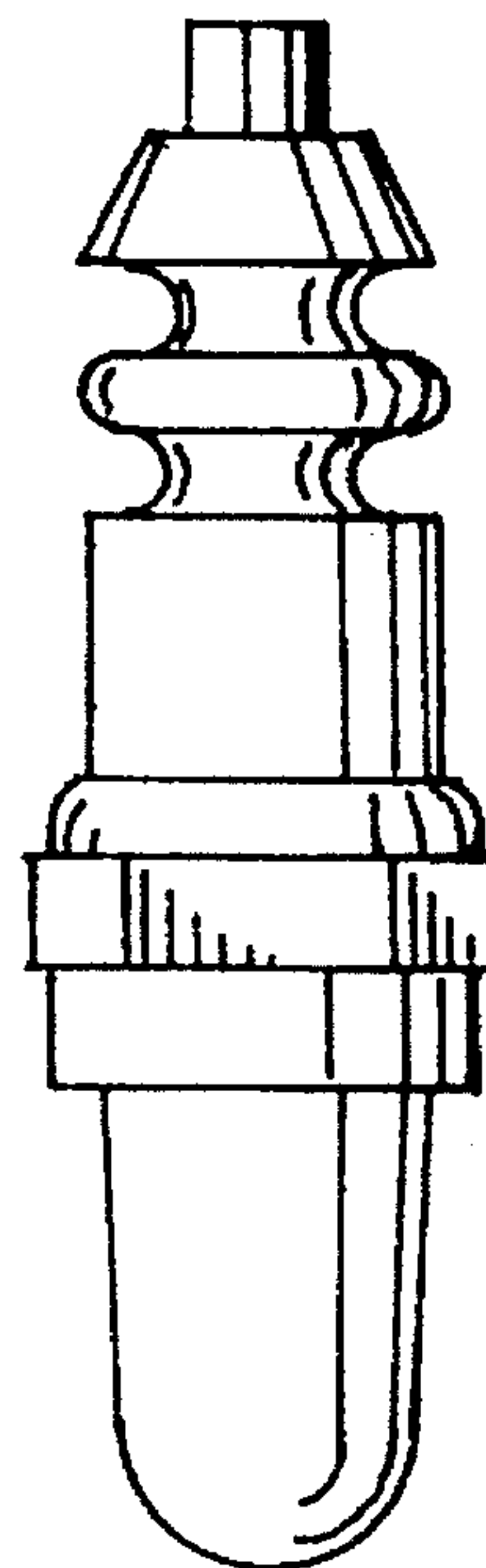


FIG. 3

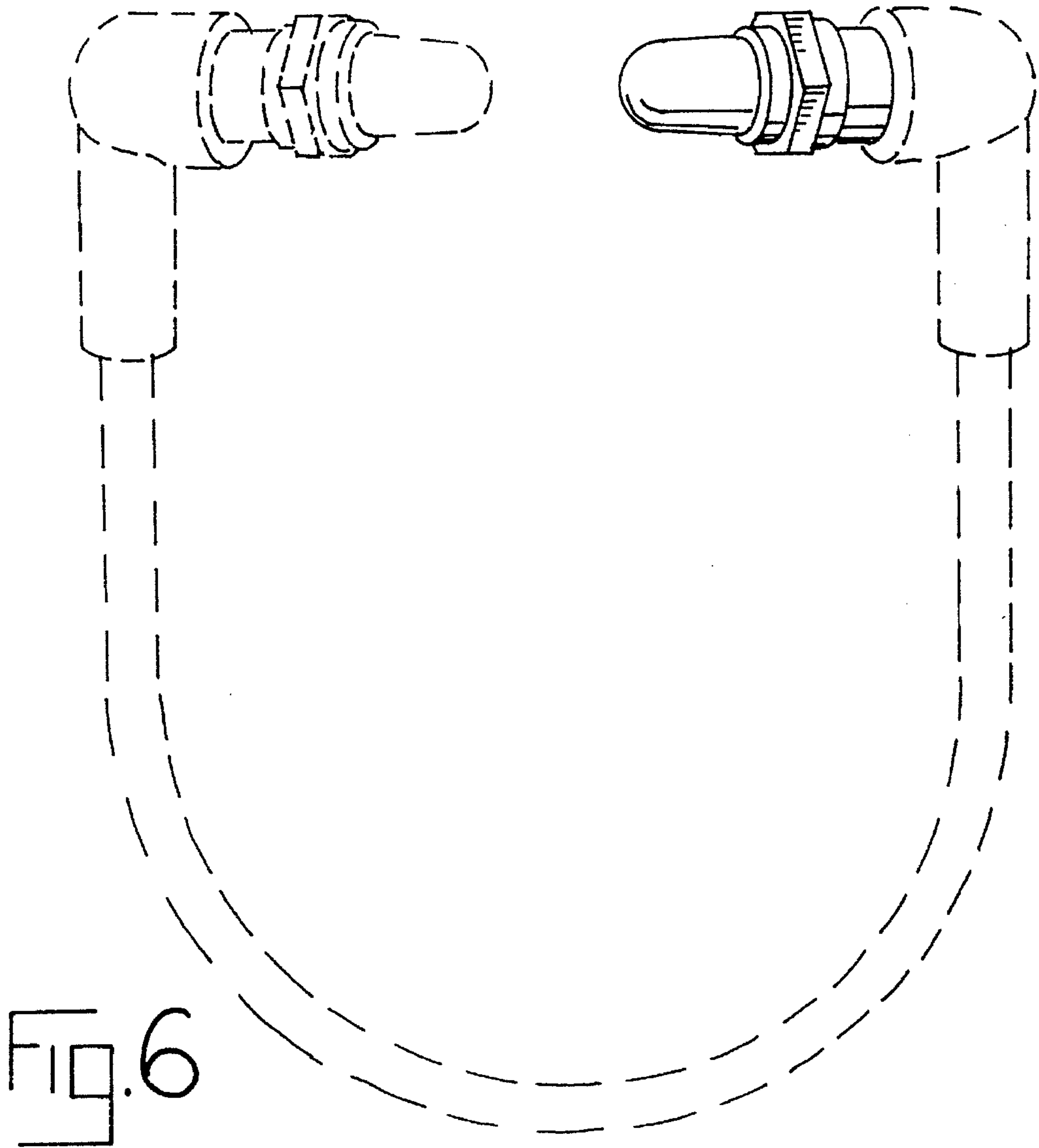


FIG. 6

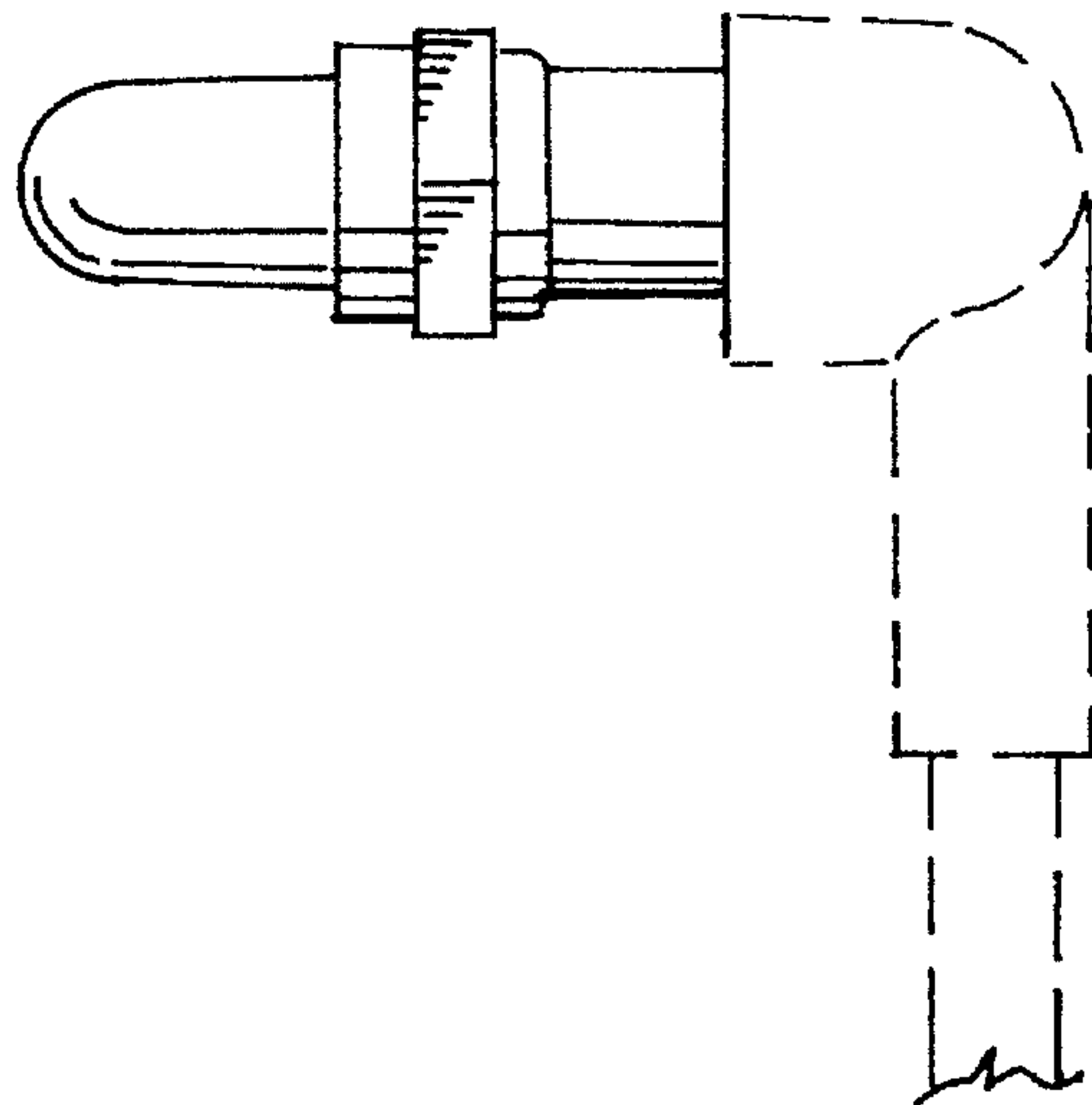


FIG. 7