



US00D378125S

# United States Patent [19]

Vannier

[11] Patent Number: Des. 378,125

[45] Date of Patent: \*\*Feb. 18, 1997

[54] PORTABLE PAINT STATION

5,312,465 5/1994 Riutta ..... 55/356 X  
5,487,766 1/1996 Vannier ..... 55/356

[76] Inventor: Mervin R. Vannier, 2145 S. 35th St.,  
Omaha, Nebr. 68105

[\*\*] Term: 14 Years

Primary Examiner—Antoine Duval Davis  
Attorney, Agent, or Firm—Zarley, McKee, Thomte,  
Voorhees & Sease; Mark D. Frederiksen

[21] Appl. No.: 51,773

[57] CLAIM

[22] Filed: Mar. 18, 1996

The ornamental design for a portable paint station, as shown.

[52] U.S. Cl. .... D23/364

DESCRIPTION

[58] Field of Search ..... D23/364, 365;  
55/315, 320, 356, 364, 385.2, 471-473,  
483, 496, 497, 521; 454/64, 65

FIG. 1 is a perspective view of the portable paint station showing my new design;

FIG. 2 is a top plan view thereof;

FIG. 3 is a bottom plan view thereof;

FIG. 4 is an elevational view of the left side of the invention;

FIG. 5 is a front elevational view thereof;

FIG. 6 is a right side elevational view thereof; and,

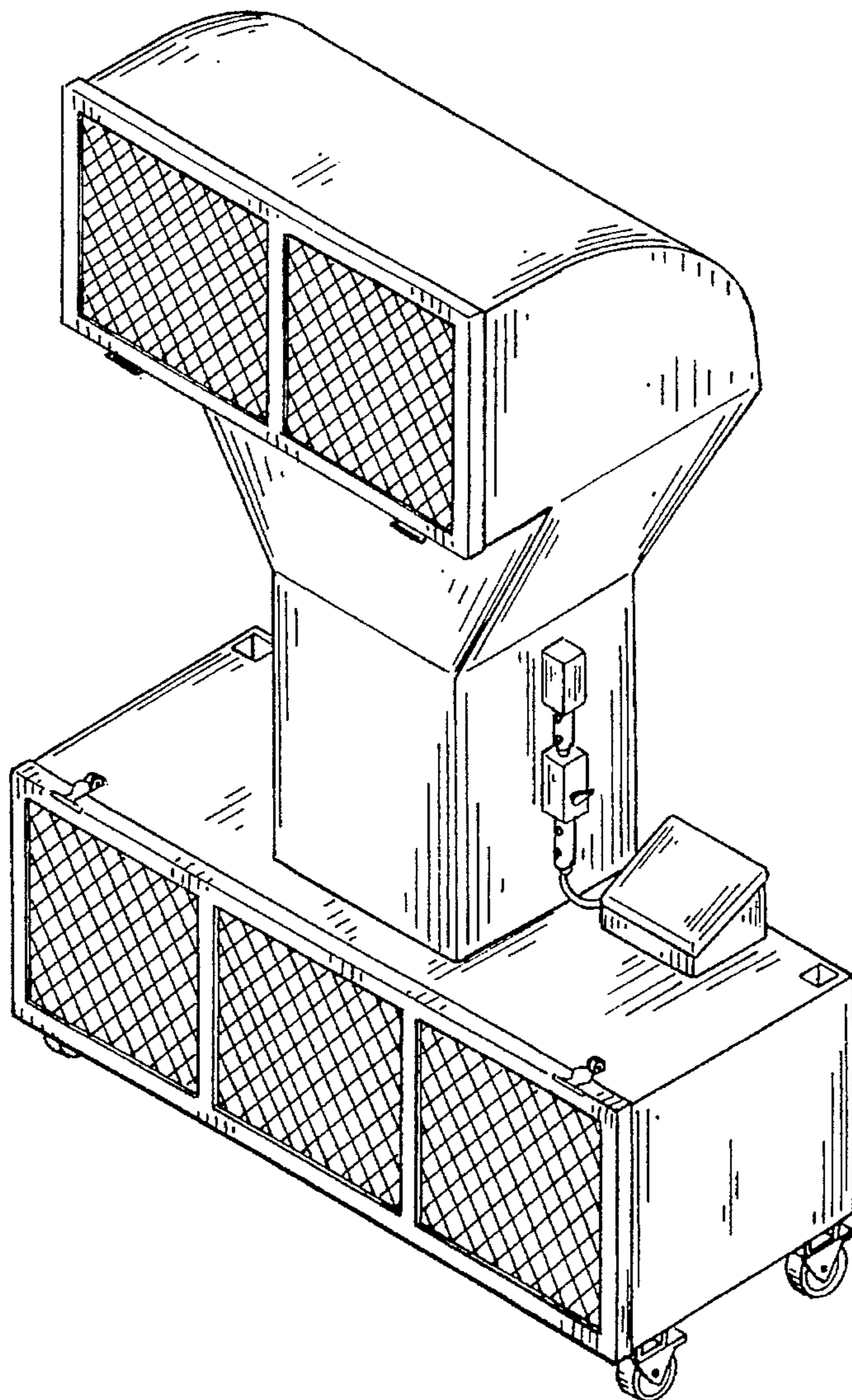
FIG. 7 is a rear elevational view thereof.

[56] References Cited

U.S. PATENT DOCUMENTS

3,935,803	2/1976	Bush	98/36
4,512,245	4/1985	Goldman	98/115.4
4,531,956	7/1985	Howorth	55/279
4,909,815	3/1990	Meyer	55/316
5,230,723	7/1993	Travis et al.	55/356 X

1 Claim, 2 Drawing Sheets



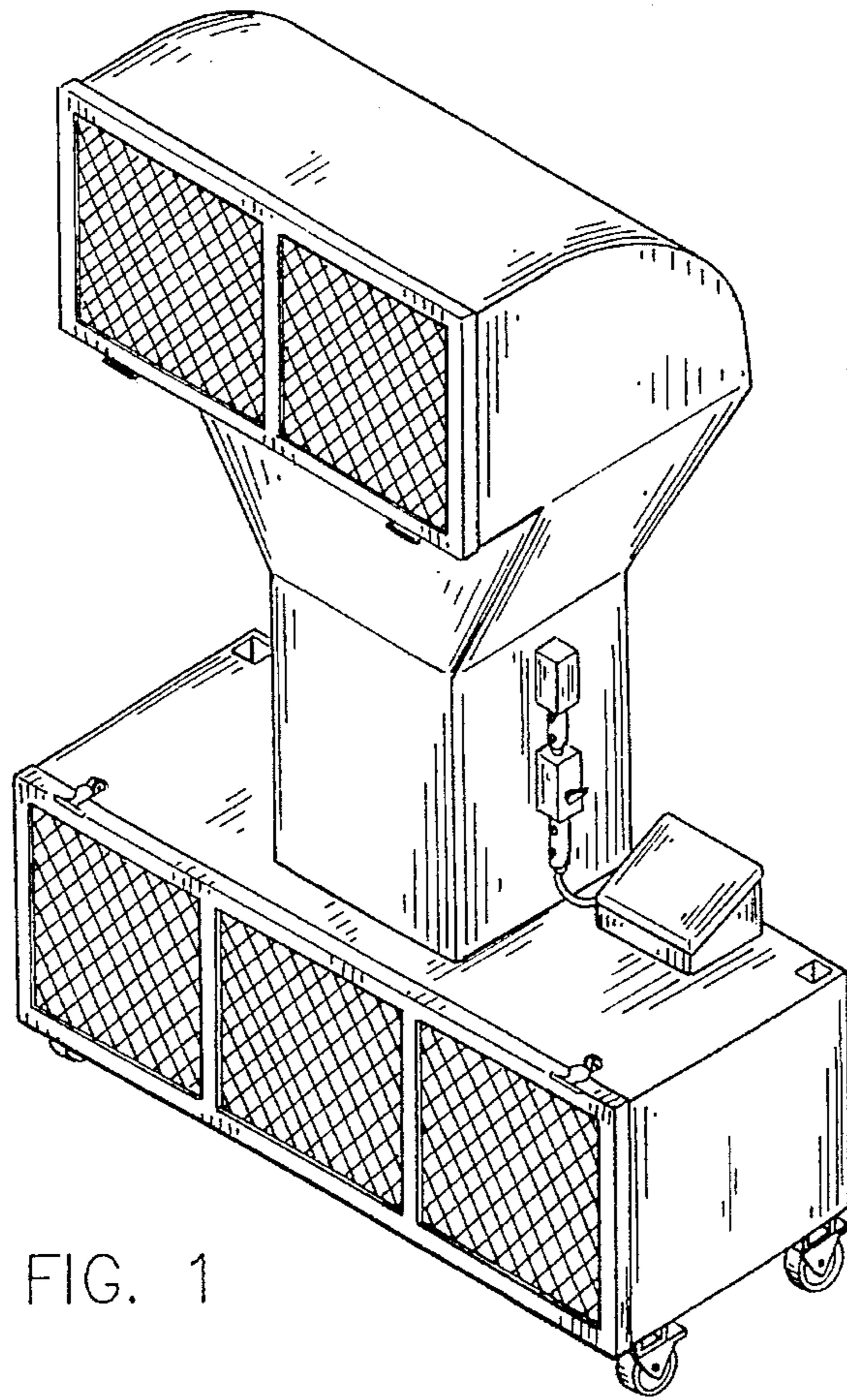


FIG. 1

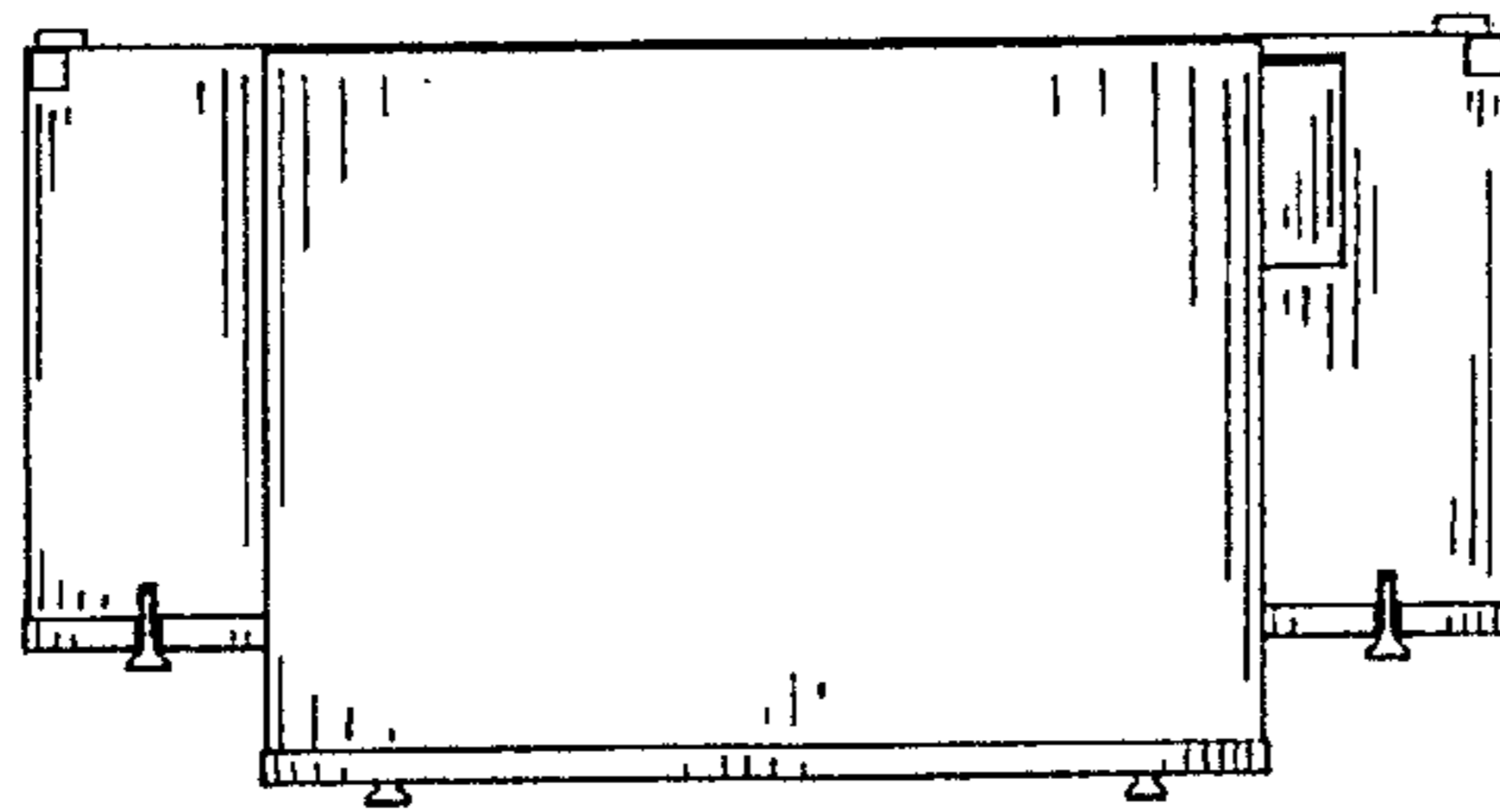


FIG. 2

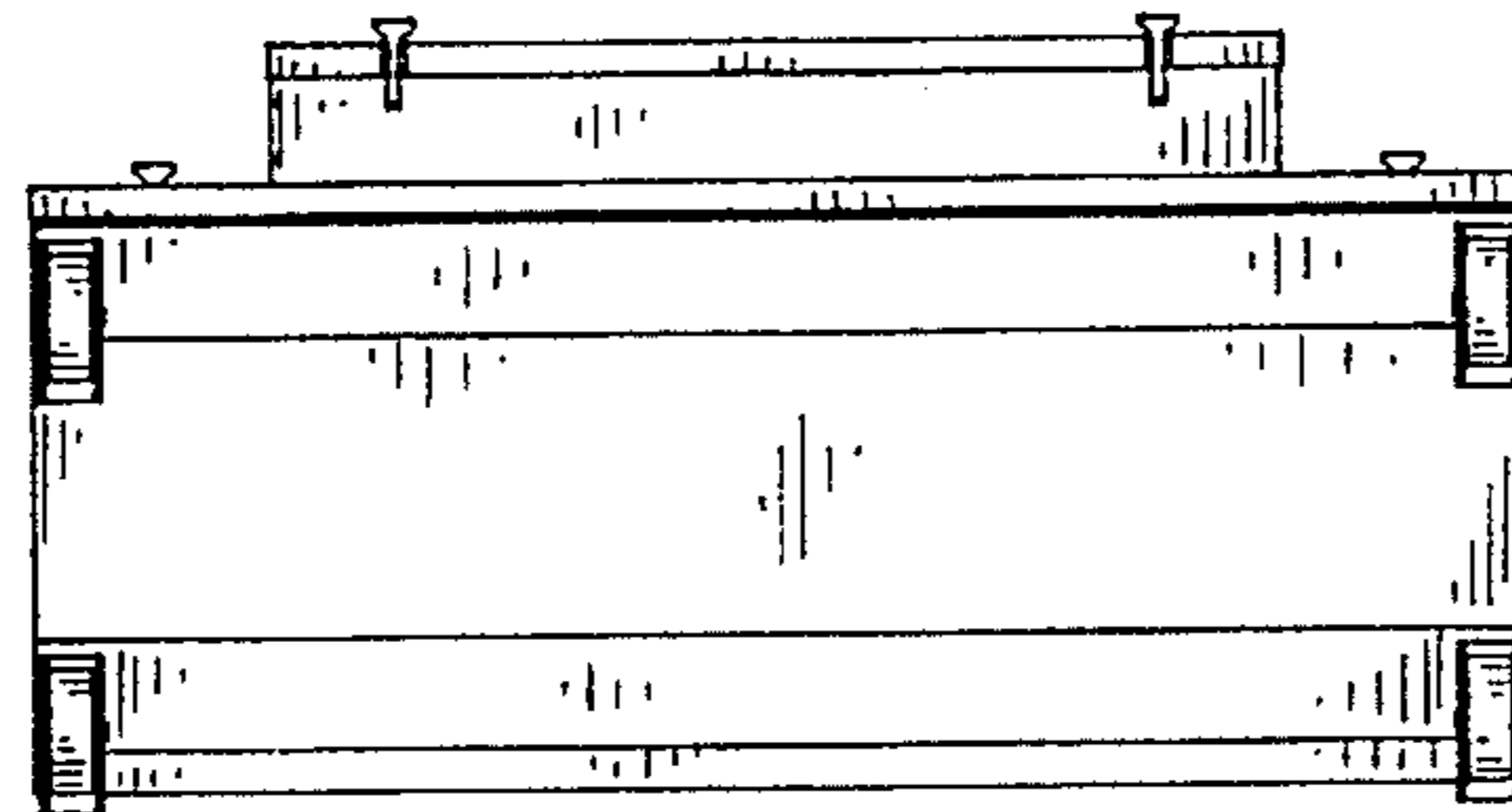


FIG. 3

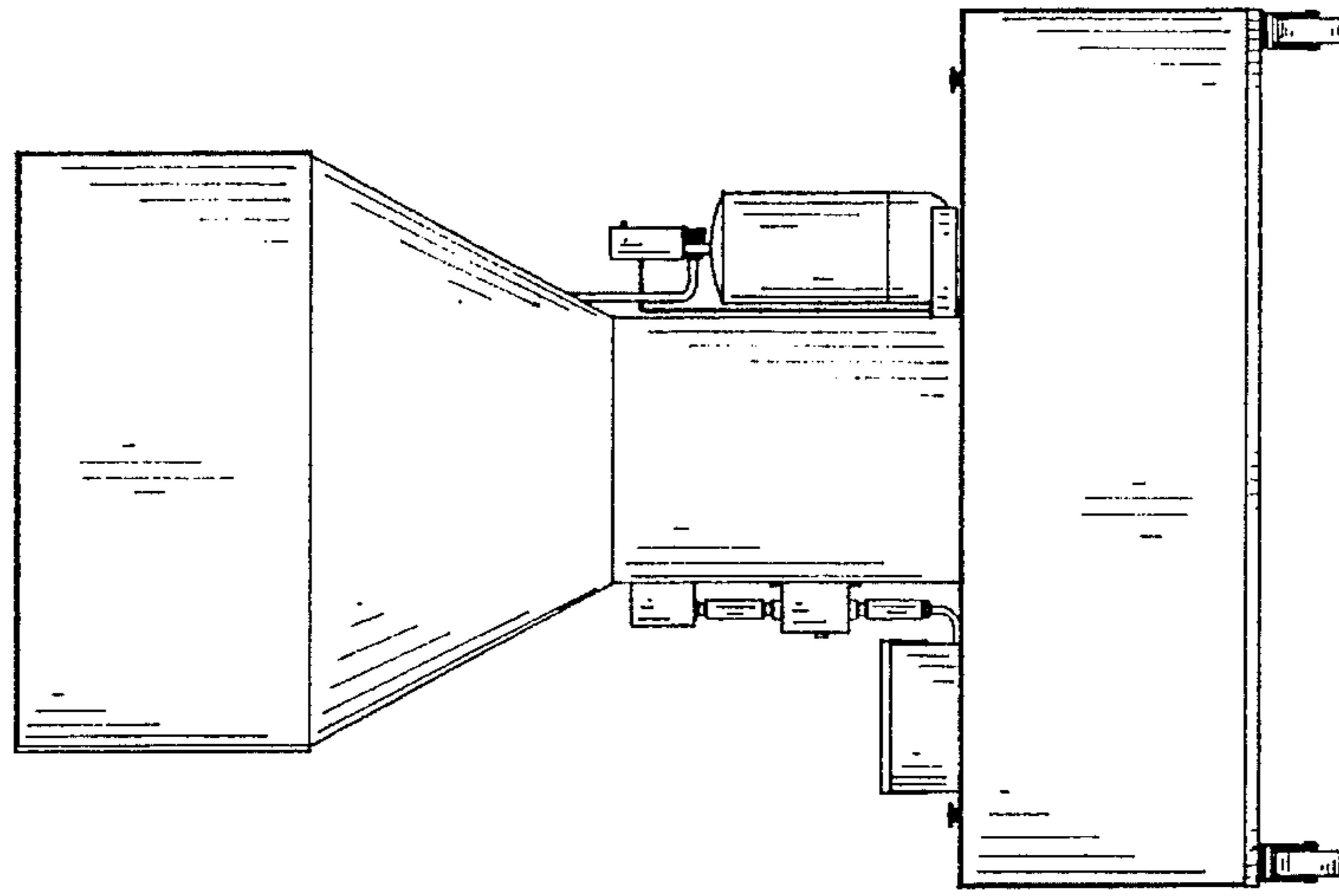


FIG. 7

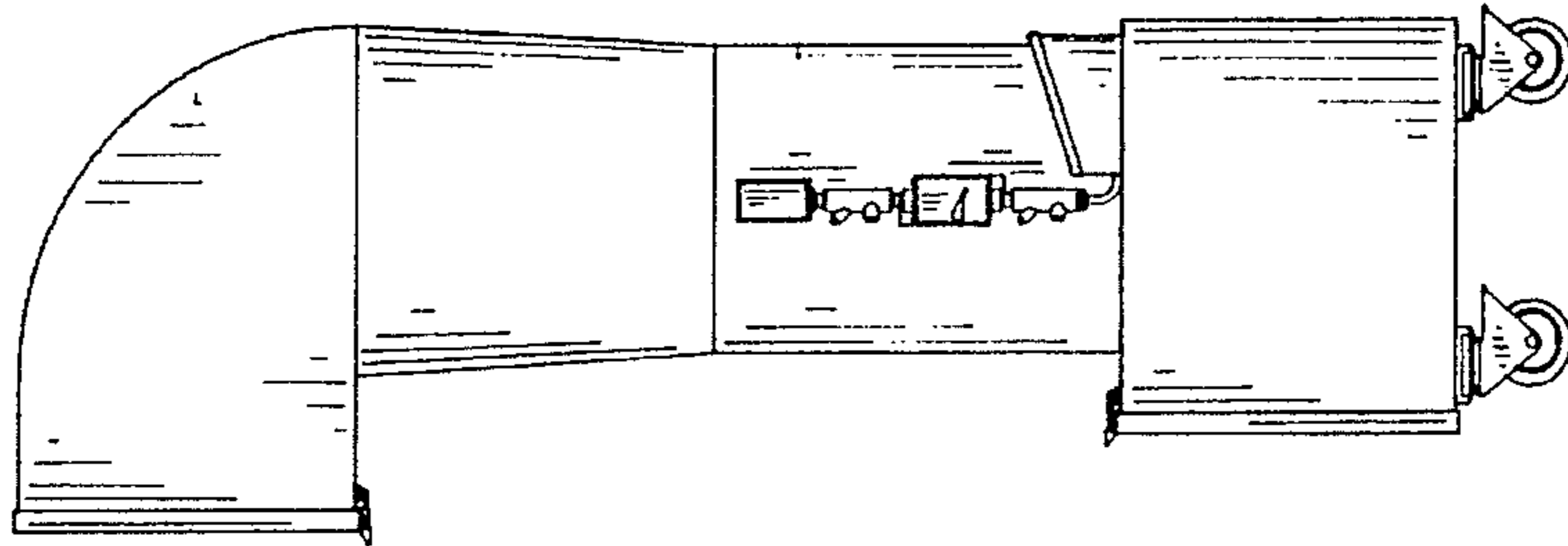


FIG. 6

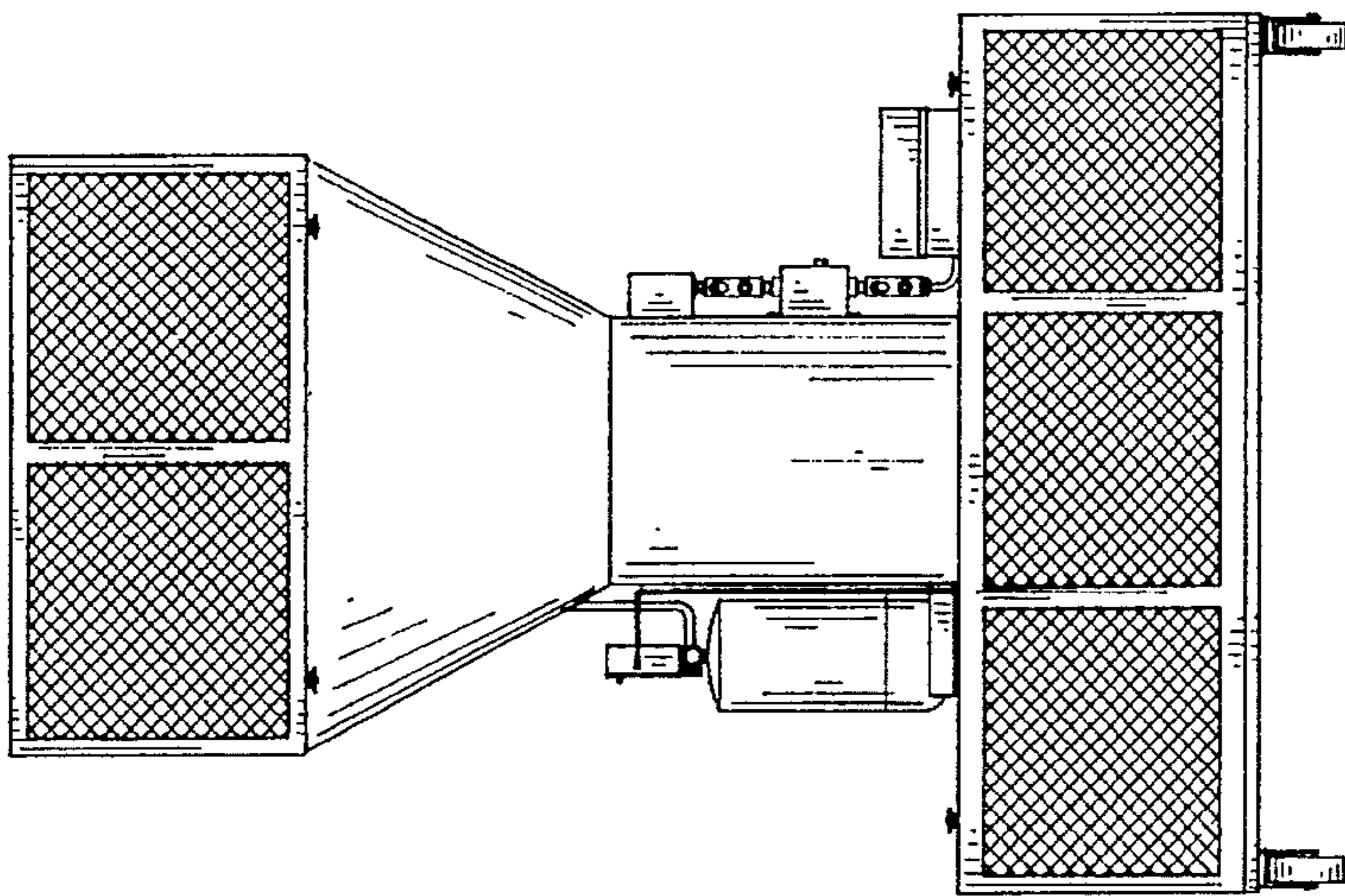


FIG. 5

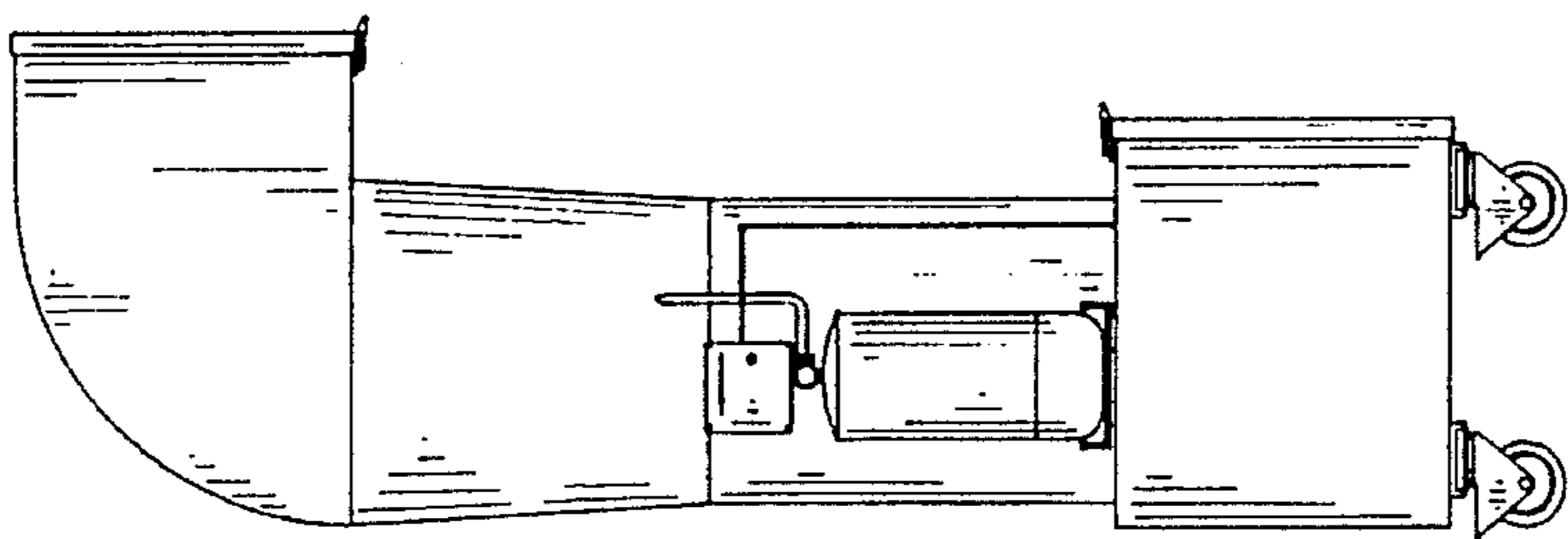


FIG. 4