



US00D378124S

United States Patent [19]

[11] Patent Number: **Des. 378,124**

Jordan

[45] Date of Patent: ****Feb. 18, 1997**

[54] **CHILD DUCK SEAT**

2,498,576	2/1950	Pourch et al.	4/483
2,562,058	7/1951	Oliver .	
3,070,810	1/1963	Jones .	
4,174,544	11/1979	Furusawa	4/483 X

[76] Inventor: **Dan W. Jordan**, 119 Robins Song Dr.,
Ellisville, Mo. 63021-4790

[**] Term: **14 Years**

Primary Examiner—Stella Reid
Assistant Examiner—Eric Watterson
Attorney, Agent, or Firm—Senniger, Powers, Leavitt &
Roedel

[21] Appl. No.: **43,318**

[22] Filed: **Aug. 31, 1995**

[52] U.S. Cl. **D23/296**

[57] CLAIM

[58] Field of Search D23/296, 298,
D23/297, 299-301; D21/159, 167; 4/235,
239, 449, 476-479, 483

The ornamental design for a child duck seat, as shown and described.

[56] References Cited

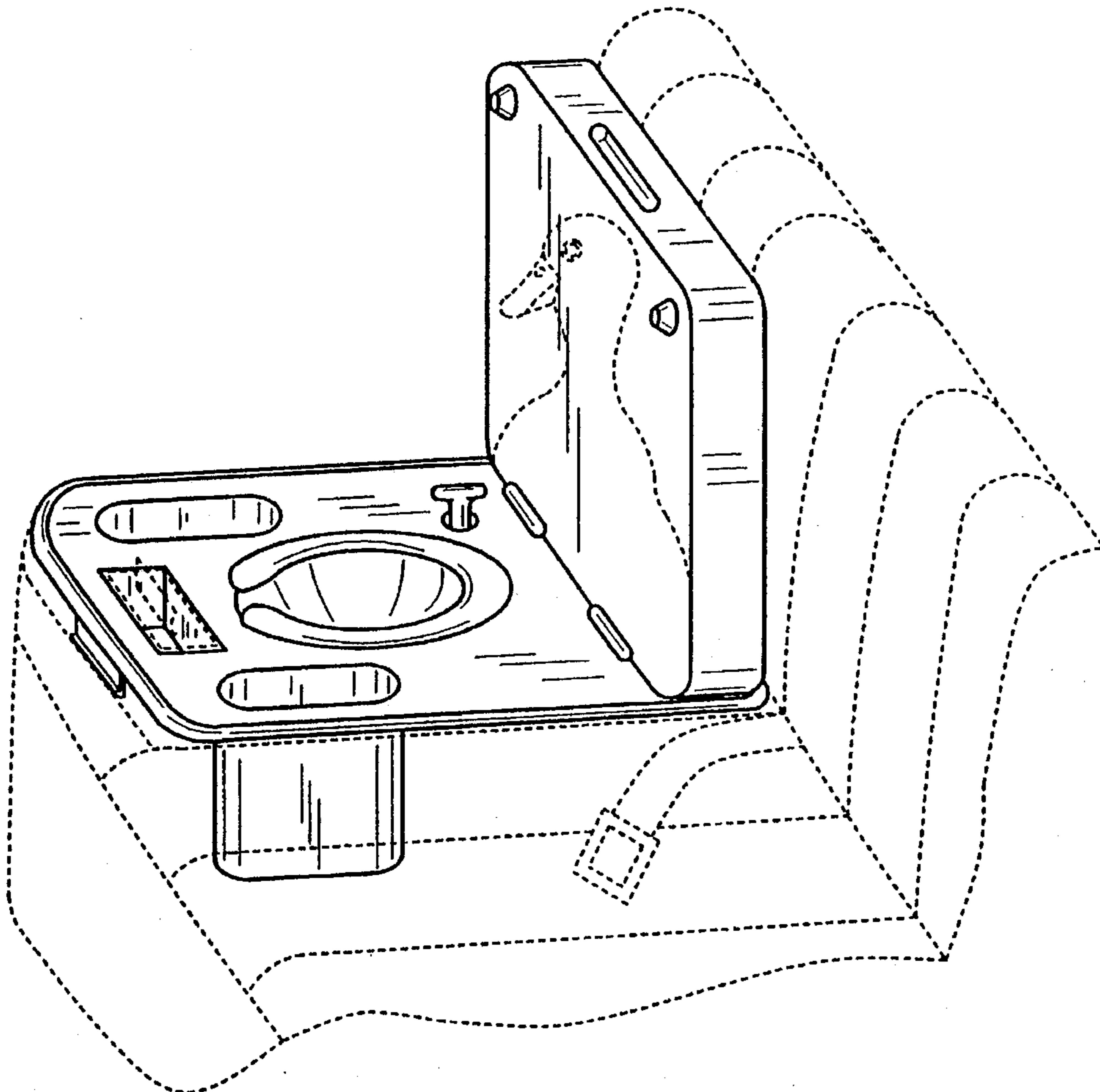
DESCRIPTION

U.S. PATENT DOCUMENTS

D. 90,745	9/1933	Wyville et al.	D23/297
D. 142,909	11/1945	Schnittmann	D23/297
D. 231,530	4/1974	Kullenbäck	D23/296
D. 310,118	8/1990	Lemon .	
D. 356,633	3/1995	Nunn	D23/297
1,359,544	11/1920	Stiles .	
1,650,155	11/1927	Randle .	
2,127,020	8/1938	Carlson	4/239 X
2,290,329	7/1942	Huffman et al.	4/483 X
2,446,381	8/1948	Middleton	4/483 X

FIG. 1 is a top perspective view of a child duck seat, showing my new design;
FIG. 2 is a front view thereof;
FIG. 3 is a rear view thereof;
FIG. 4 is a top plan view thereof;
FIG. 5 is a bottom plan view thereof;
FIG. 6 is a right side elevational view thereof; and,
FIG. 7 is a left side elevational view thereof.
The broken lines shown are for illustrative purposes only, and forms no part of the claimed design.

1 Claim, 2 Drawing Sheets



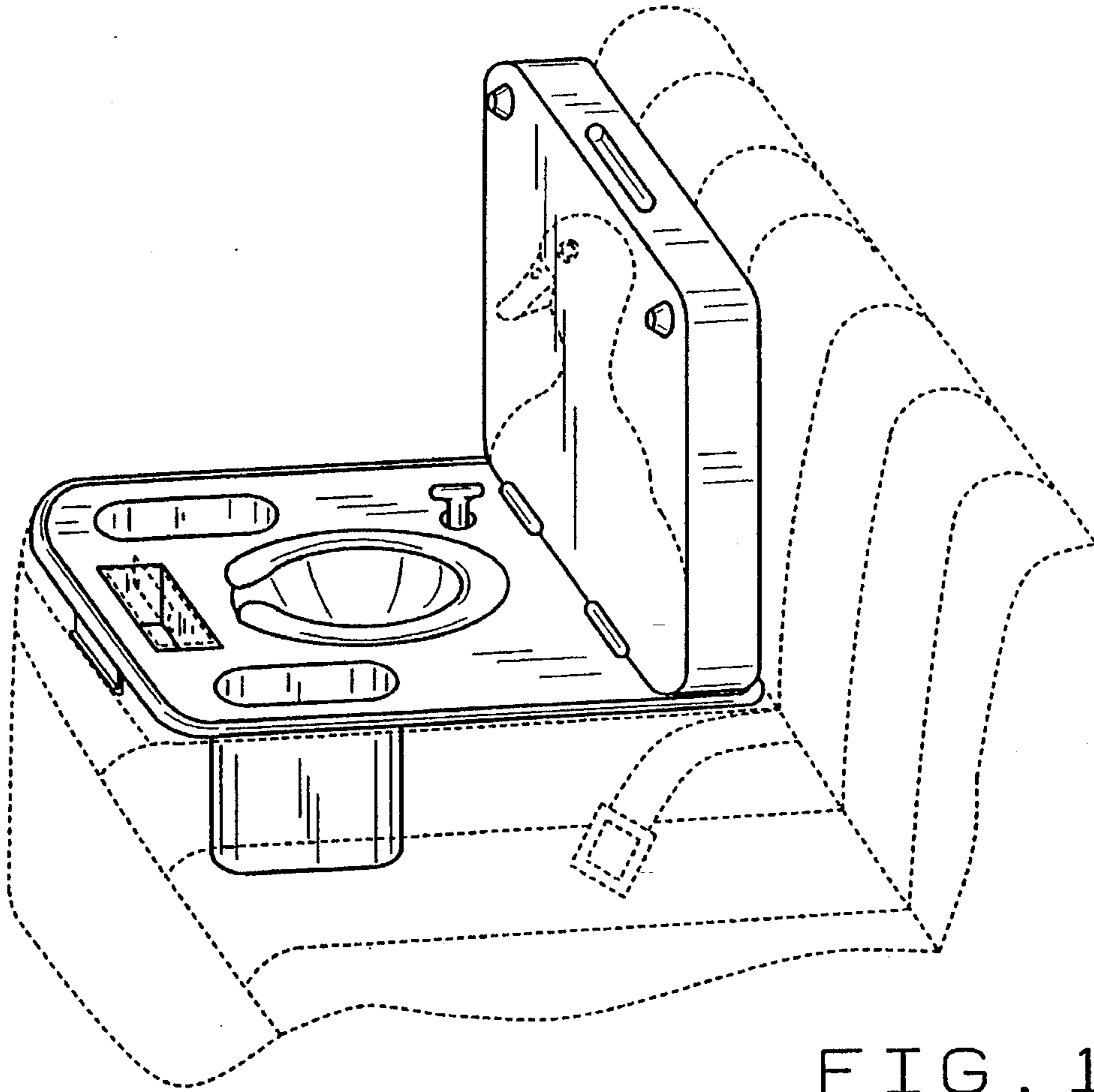


FIG. 1

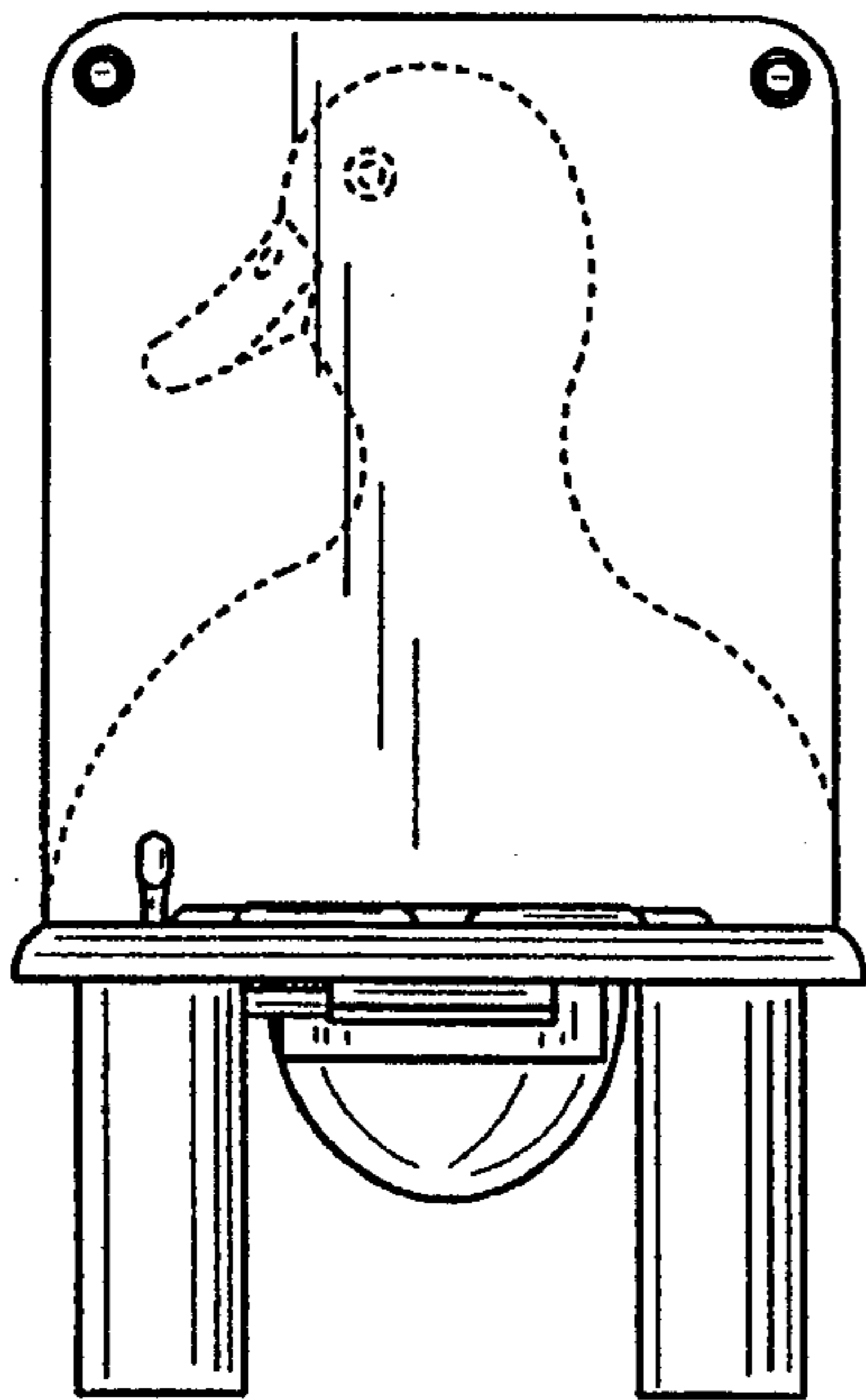


FIG. 2

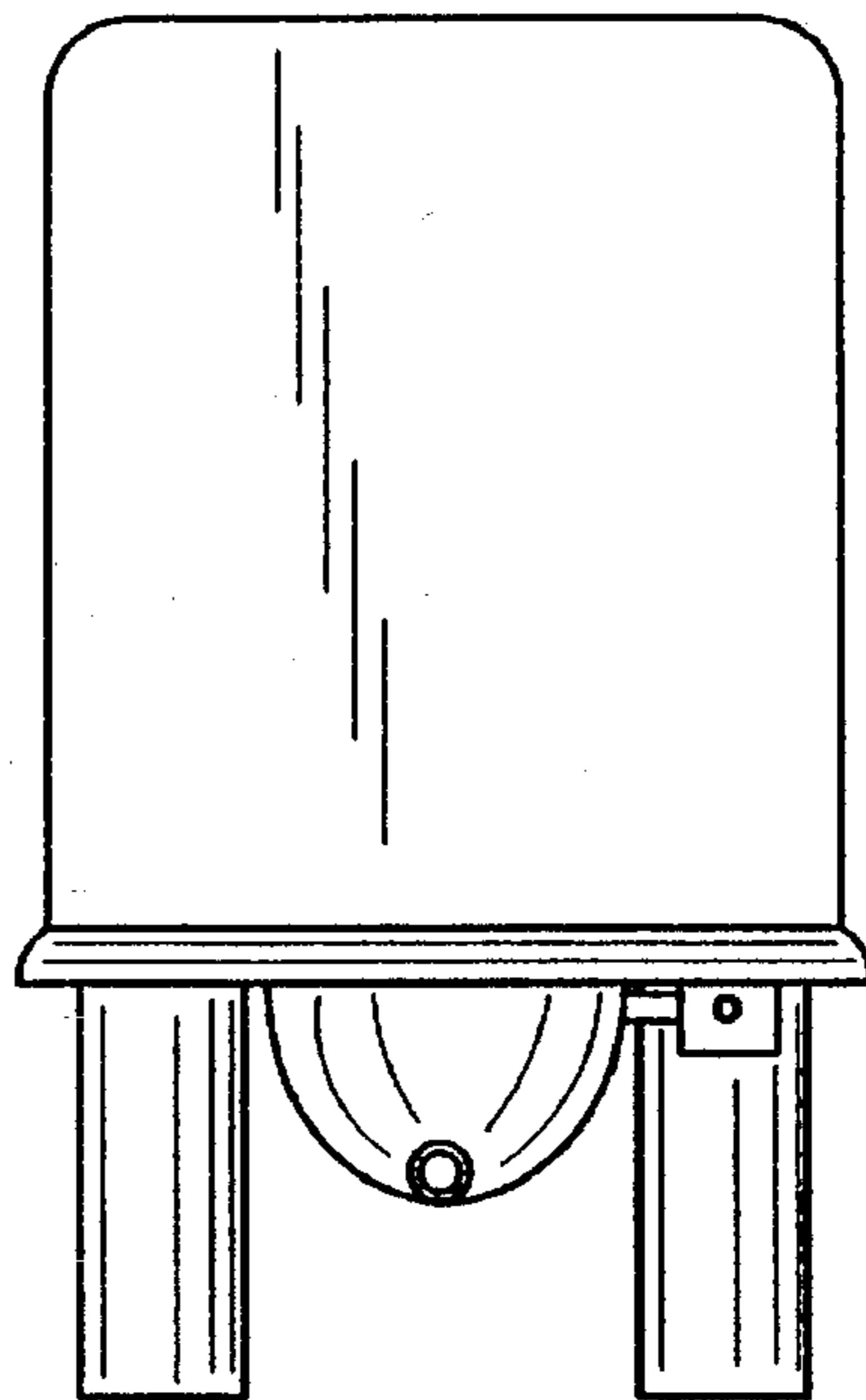


FIG. 3

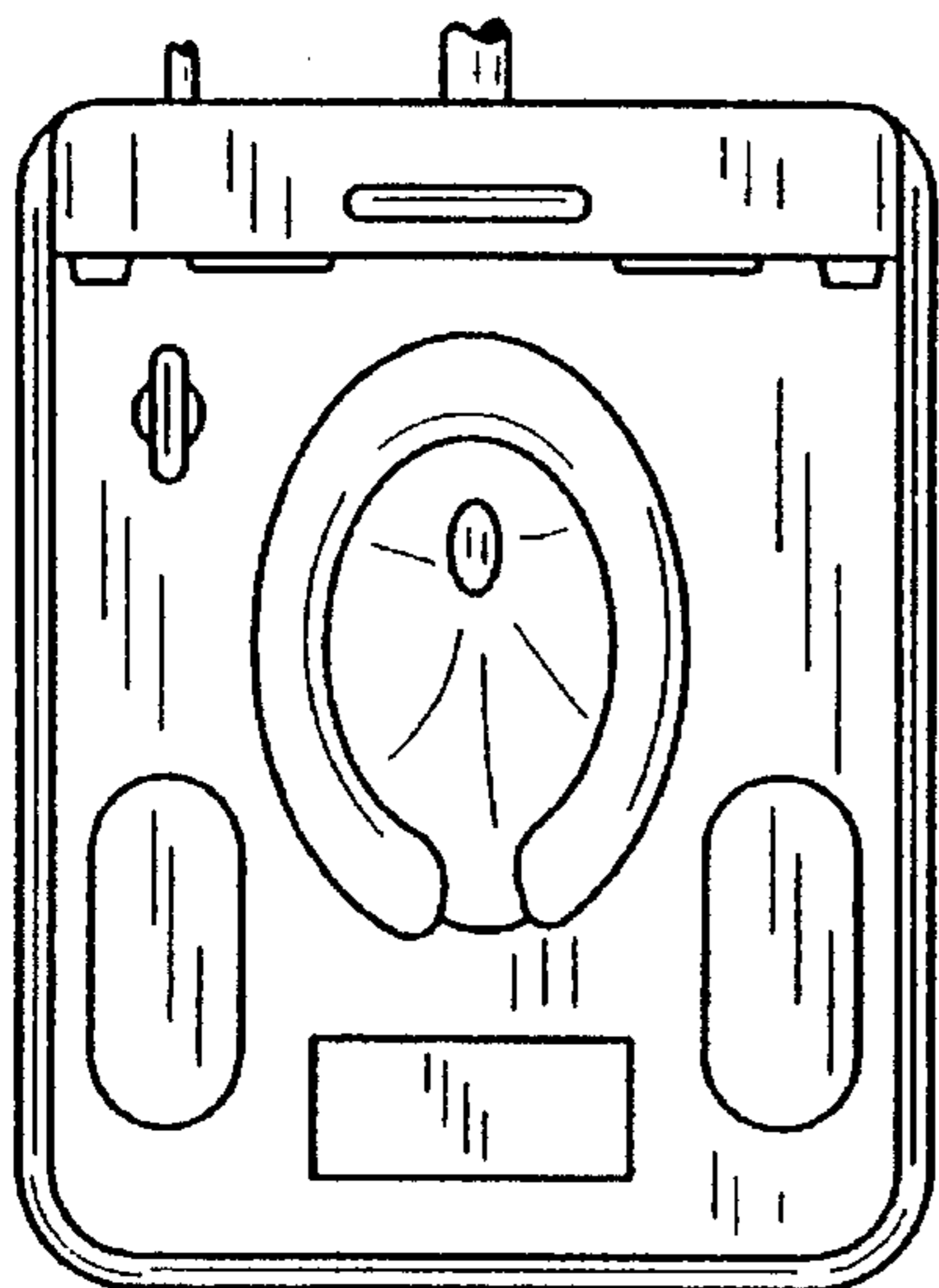


FIG. 4

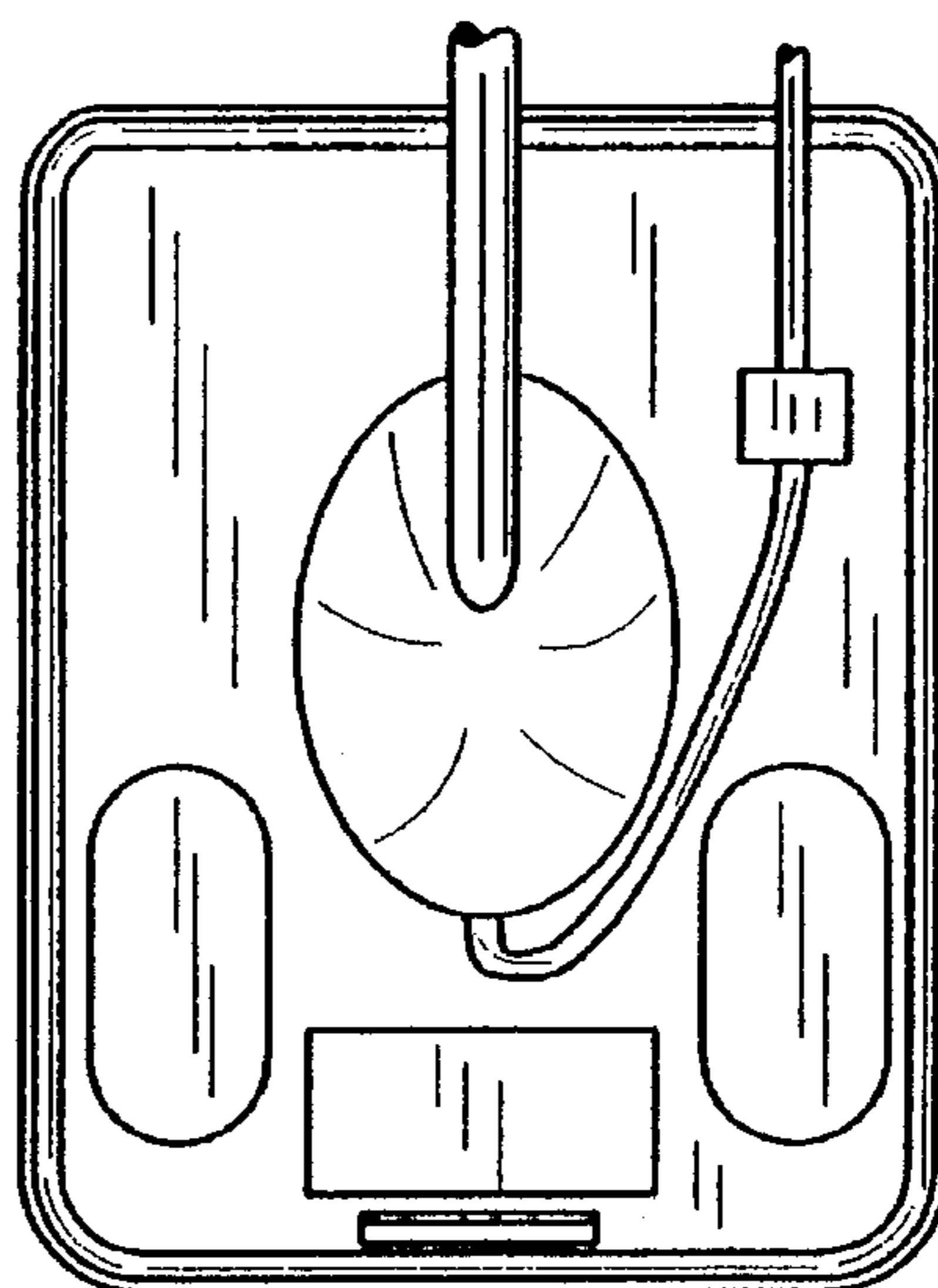


FIG. 5

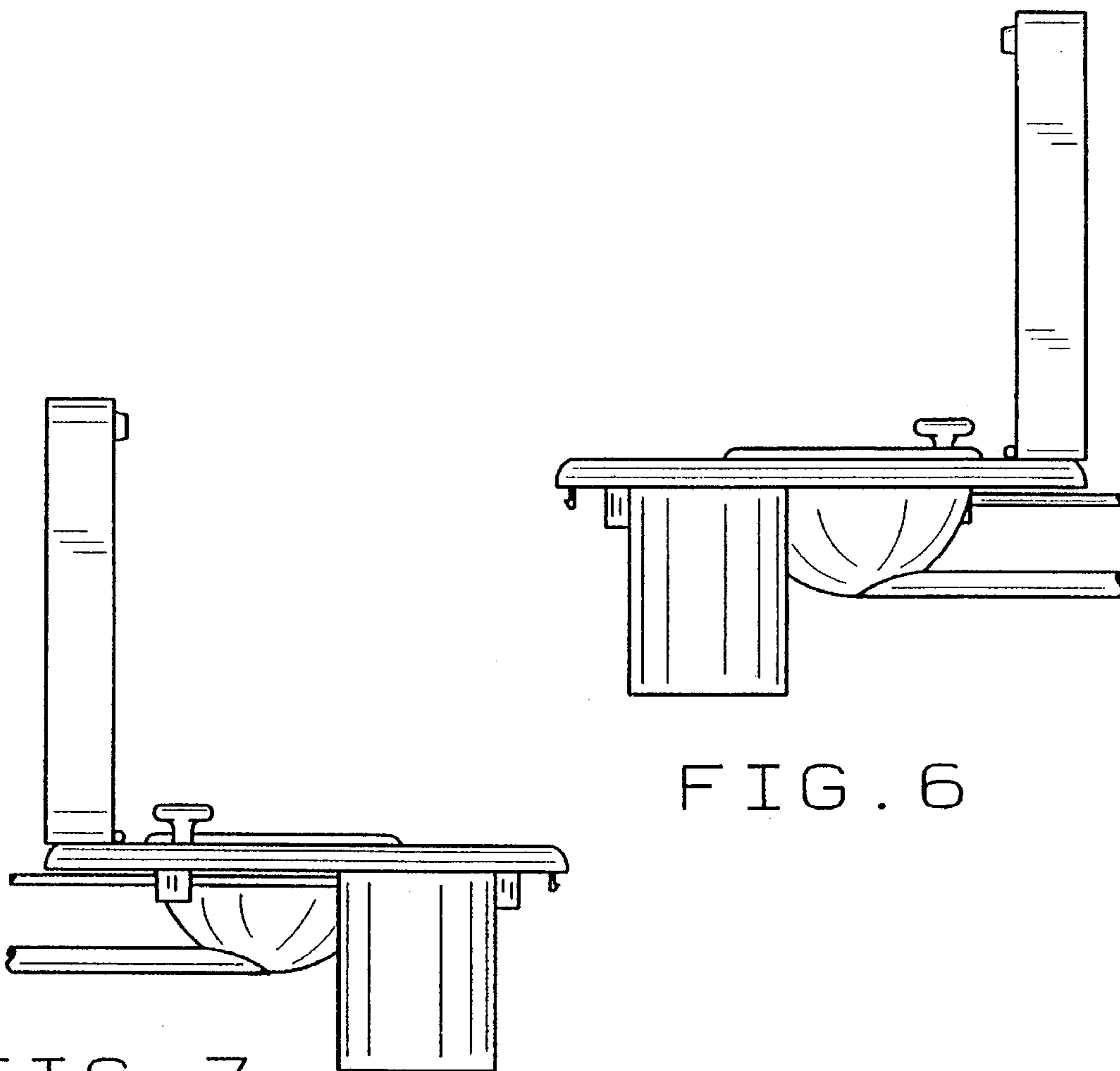


FIG. 6

FIG. 7