



US00D378123S

United States Patent [19]

Warshawsky

[11] Patent Number: **Des. 378,123**

[45] Date of Patent: ****Feb. 18, 1997**

[54] **COMBINED FAUCET AND HANDLE SET**

[75] Inventor: **Jerome Warshawsky**, Hewlett Harbor, N.Y.

[73] Assignee: **I. W. Industries, Inc.**, Melville, N.Y.

[**] Term: **14 Years**

[21] Appl. No.: **56,357**

[22] Filed: **Jun. 27, 1996**

[52] U.S. Cl. **D23/242**

[58] Field of Search **D23/238-243, D23/249-255; 4/675-678; 137/801**

[56] **References Cited**

U.S. PATENT DOCUMENTS

D. 290,387	6/1987	Joerger	D23/242
D. 291,236	8/1987	Delepine	D23/242
D. 299,519	1/1989	Fabian	D23/242
D. 301,918	6/1989	Fabian	D23/242

D. 364,215	11/1995	Staros	D23/242
D. 374,478	10/1996	Dougherty et al.	D23/242

Primary Examiner—Stella Reid
Assistant Examiner—Eric Watterson
Attorney, Agent, or Firm—Alfred M. Walker

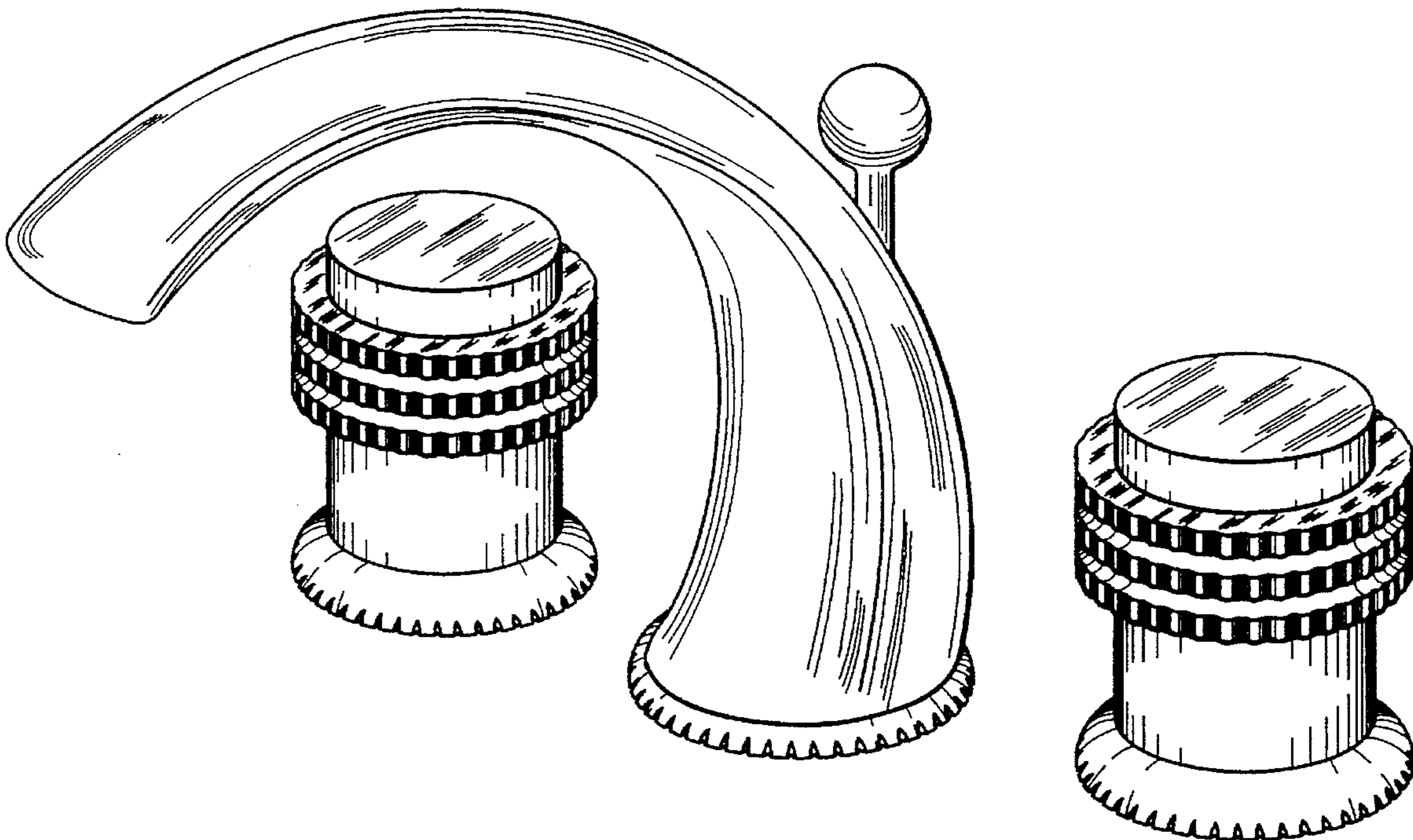
[57] **CLAIM**

The ornamental design for a combined faucet and handle set, as shown and described.

DESCRIPTION

FIG. 1 is a perspective view of a combined faucet and handle set, showing my new design;
FIG. 2 is a right side elevational view thereof;
FIG. 3 is a left side elevational view thereof;
FIG. 4 is a front view thereof;
FIG. 5 is a rear view thereof;
FIG. 6 is a top plan view thereof; and,
FIG. 7 is a bottom view thereof.

1 Claim, 4 Drawing Sheets



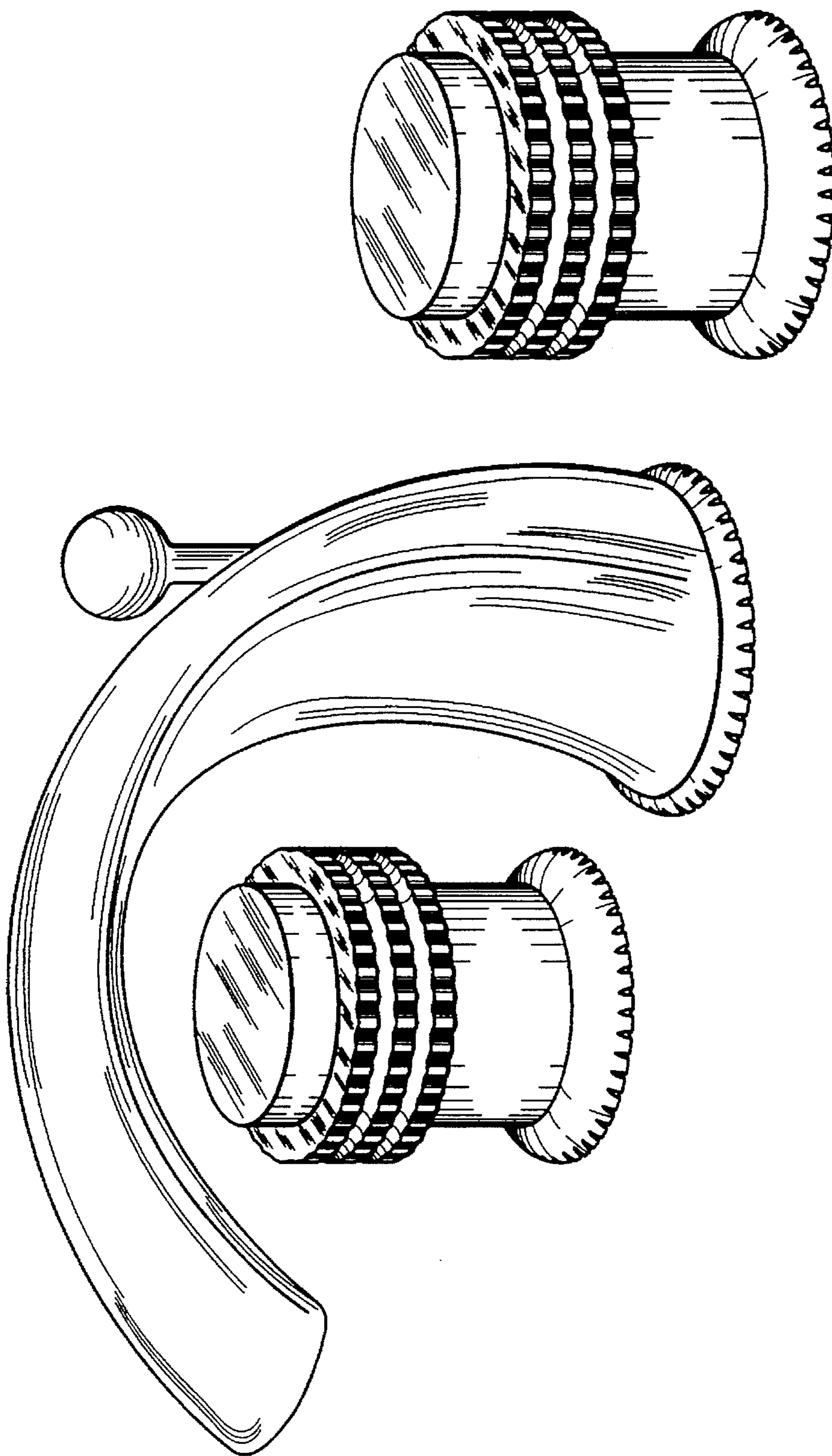


FIG. 1

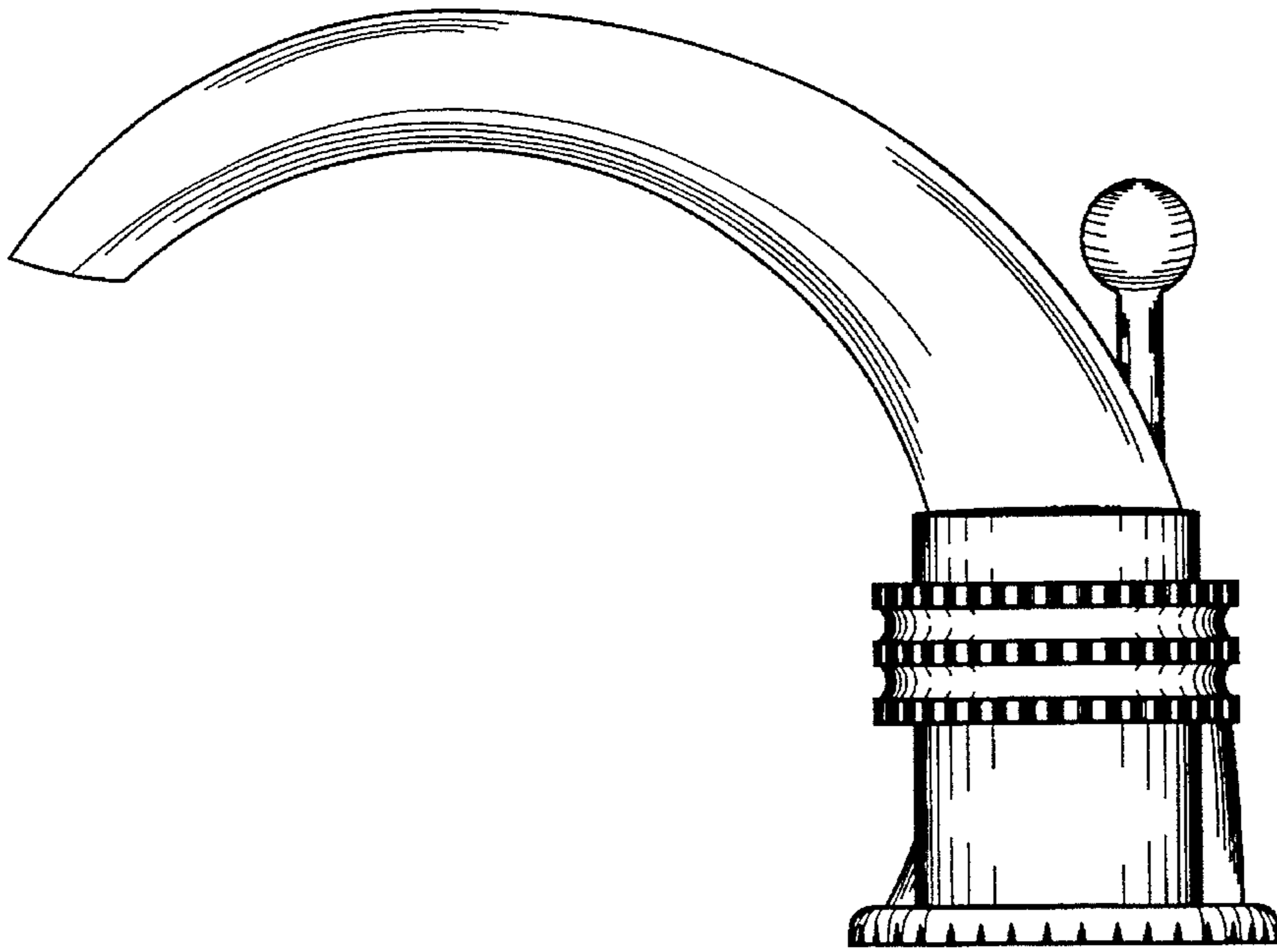


FIG. 2

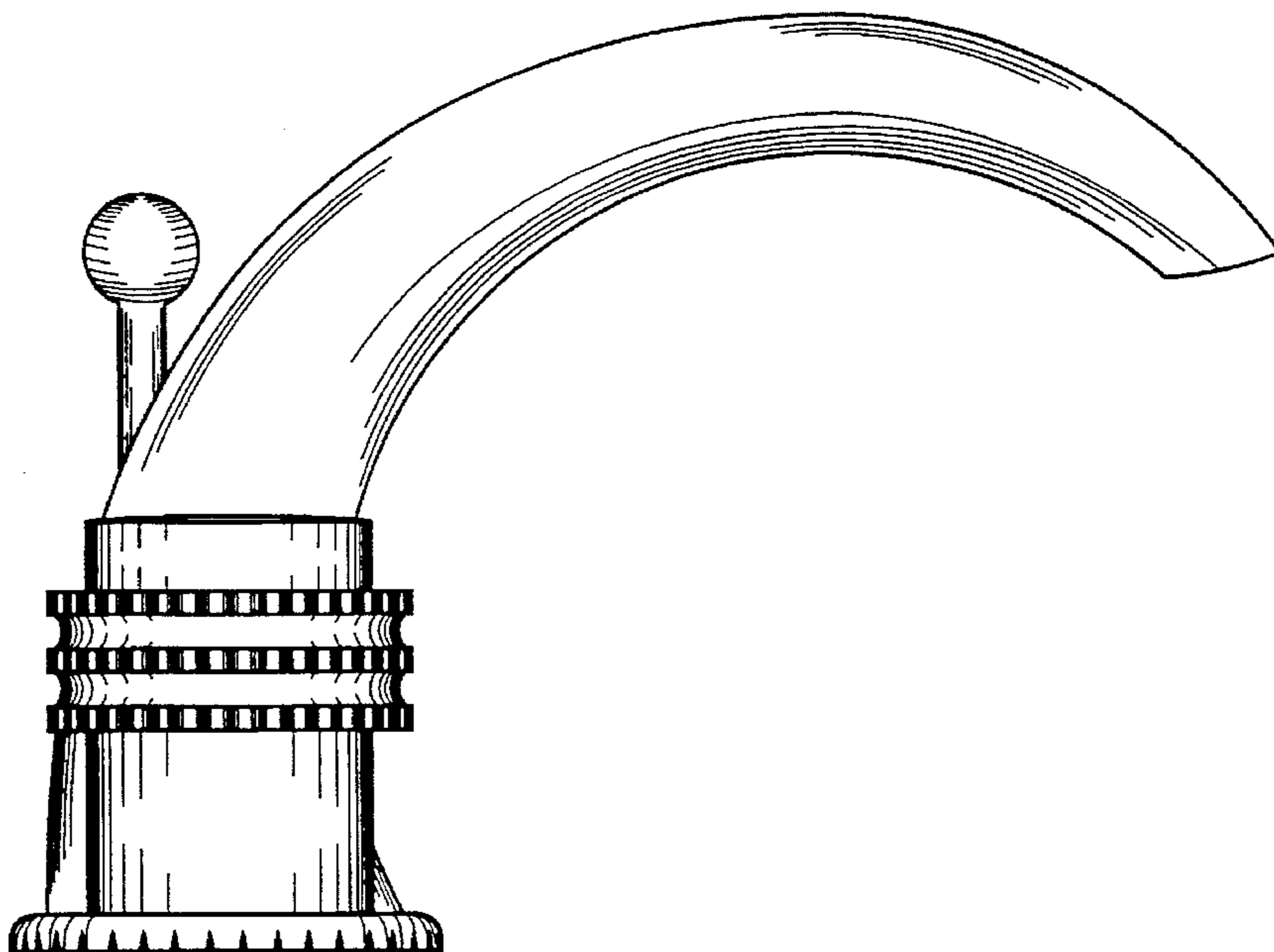


FIG. 3

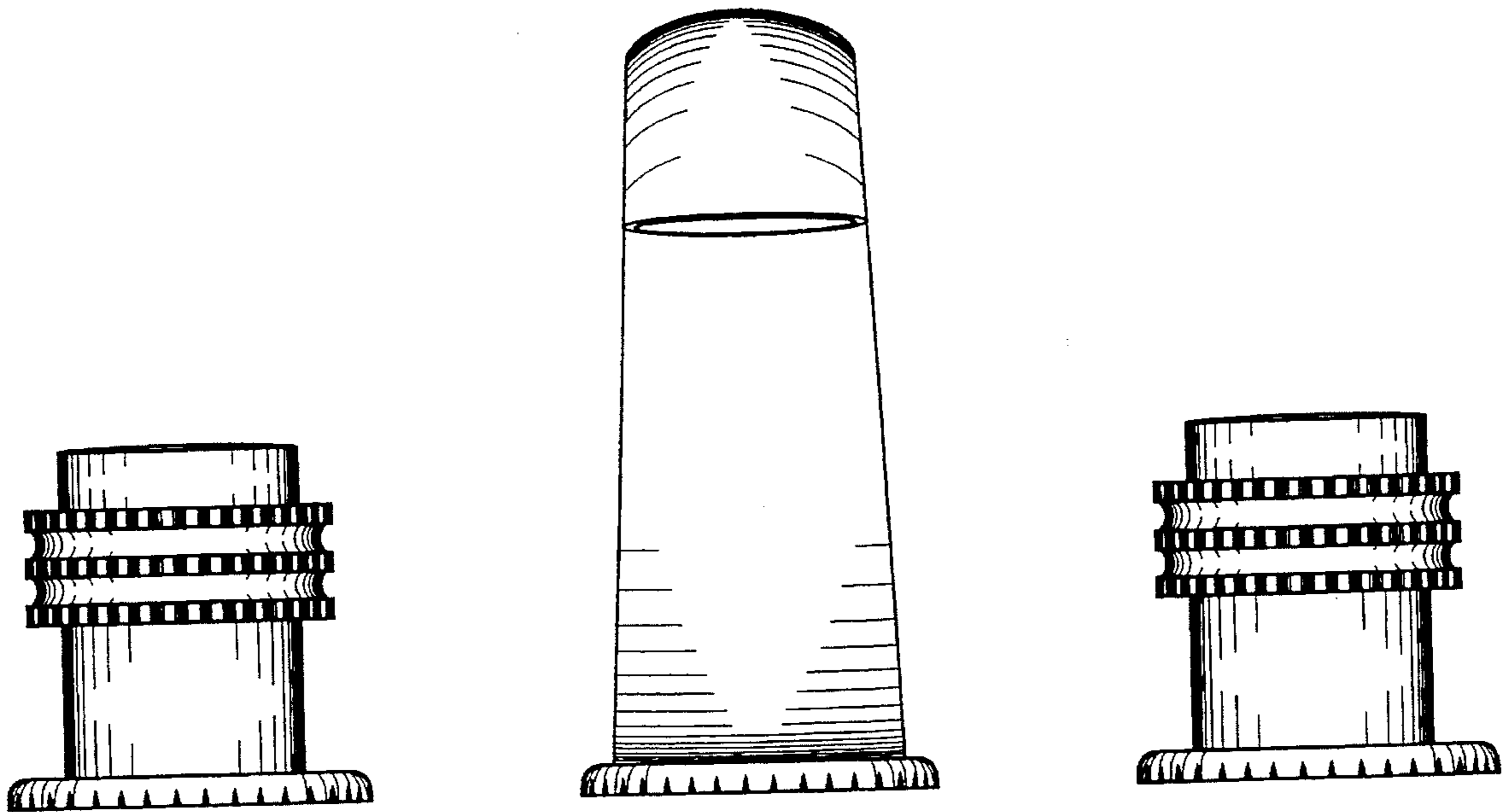


FIG. 4

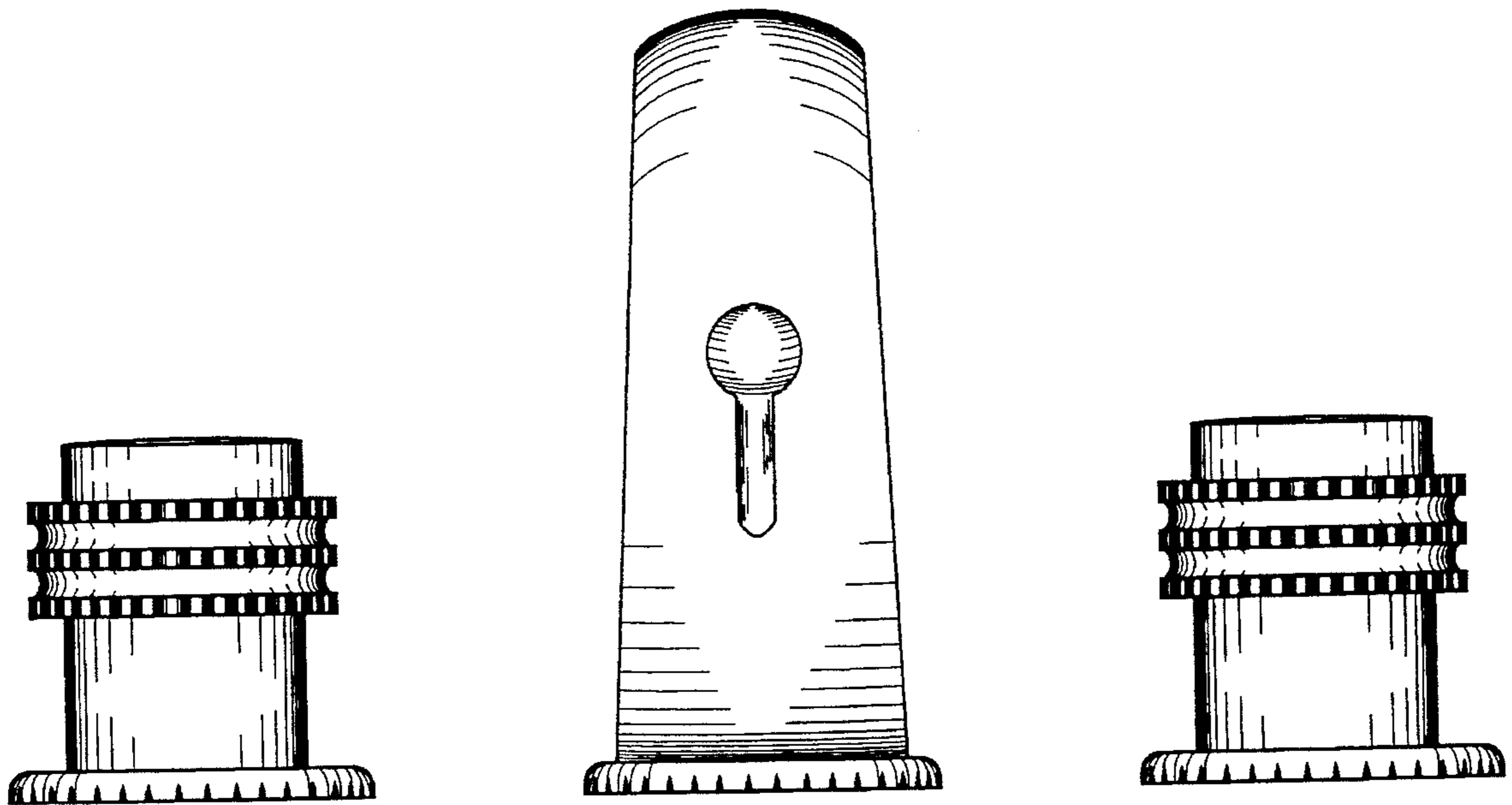


FIG. 5

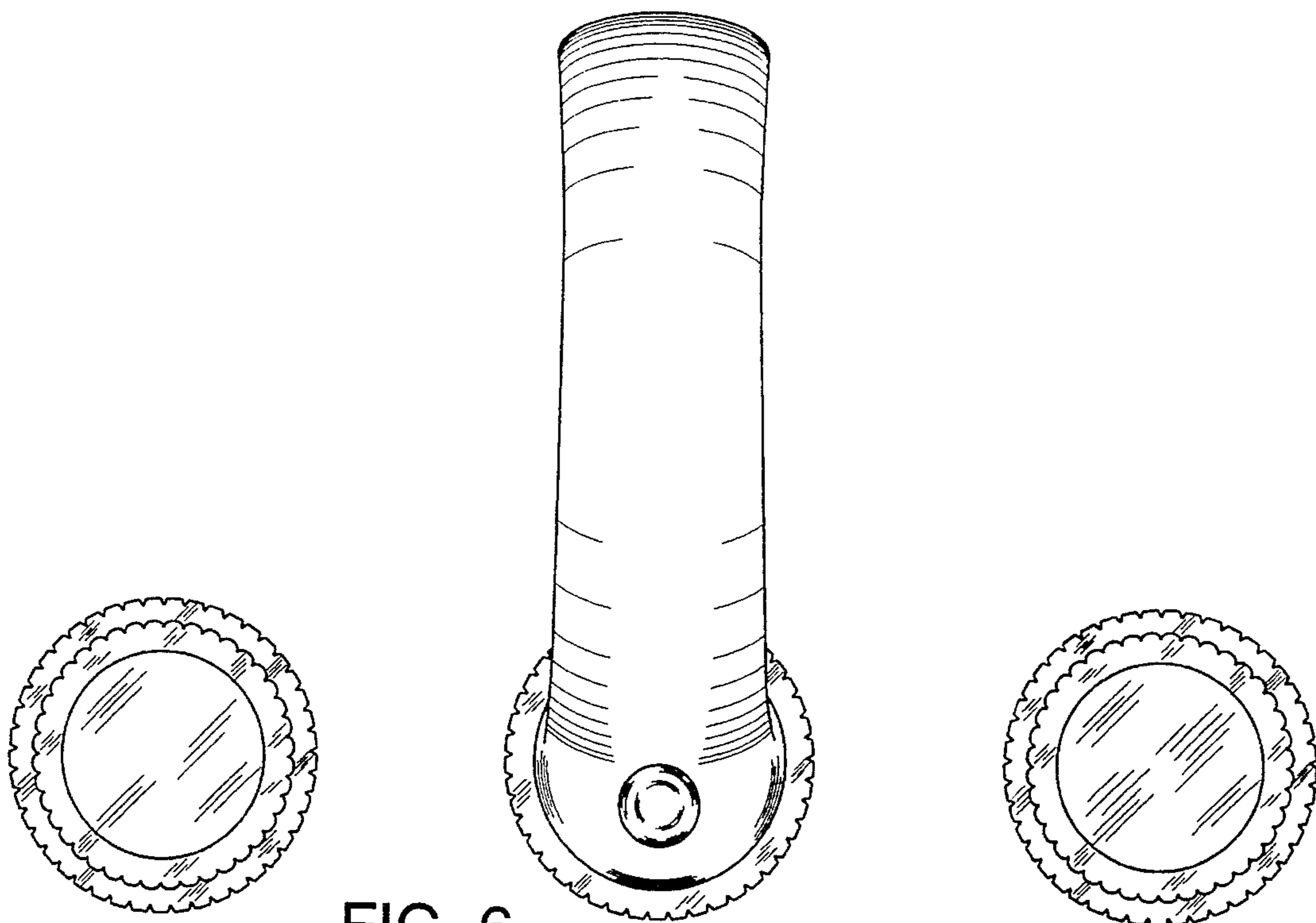


FIG. 6

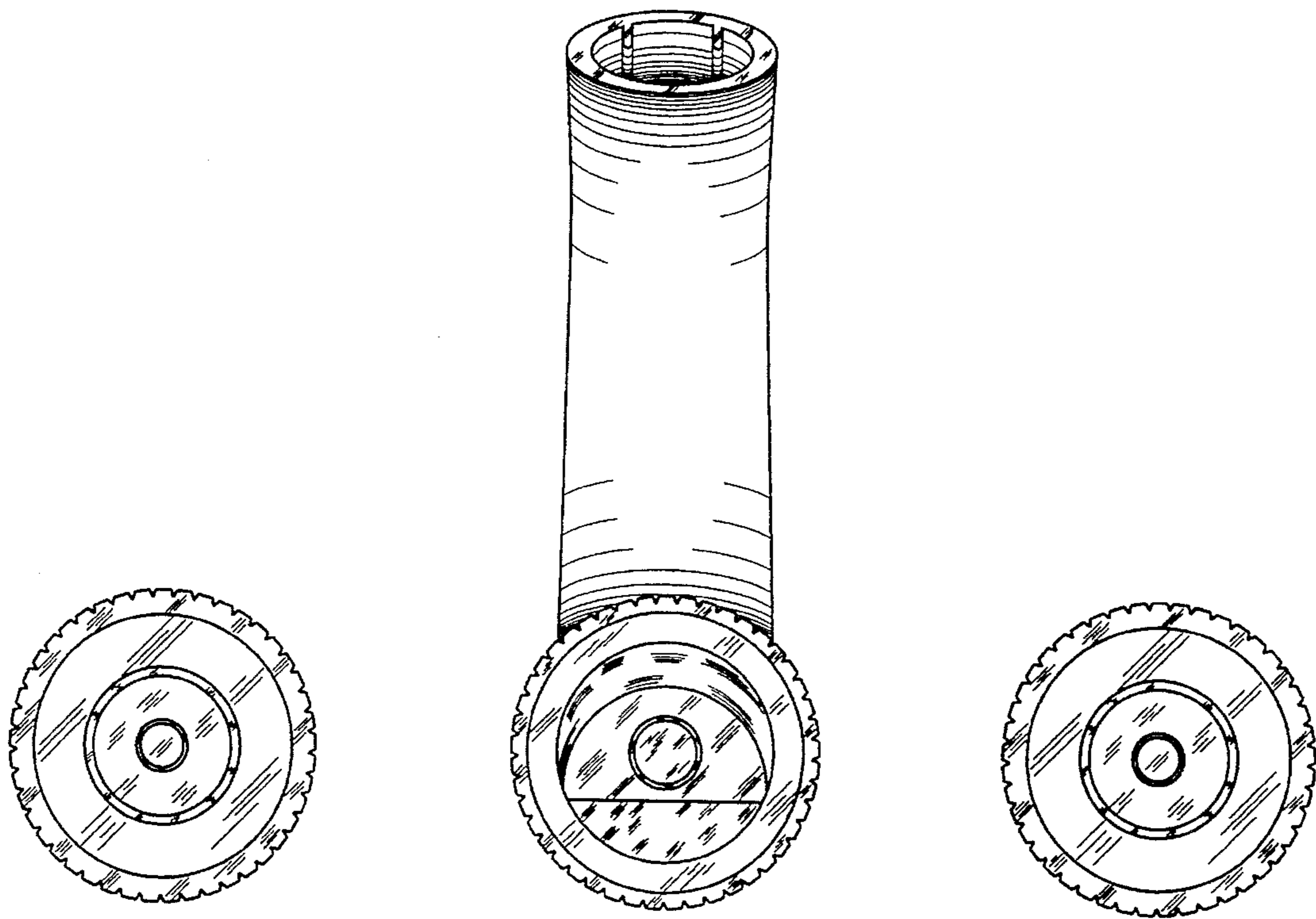


FIG. 7