



US00D378119S

United States Patent [19]

Roca Navarro

[11] Patent Number: **Des. 378,119**

[45] Date of Patent: ****Feb. 18, 1997**

[54] **FISHING SINKER**

[76] Inventor: **D. Jorge Roca Navarro**, Paseo De Nuestra Senora Del Coll, No. 1, Atico, Barcelona 08023, Spain

[**] Term: **14 Years**

[21] Appl. No.: **46,480**

[22] Filed: **Nov. 15, 1995**

[30] Foreign Application Priority Data

May 16, 1995 [ES] Spain 135053

[52] U.S. Cl. **D22/145; D22/126**

[58] Field of Search D22/145, 146, D22/126-133; 43/44.97, 44.98, 44.96, 44.87, 44.88, 44.9, 44.95

[56] References Cited

U.S. PATENT DOCUMENTS

D. 178,530 8/1956 Magill D22/126

D. 190,743	6/1961	Kovacs, Jr.	D22/145
2,826,851	3/1958	Borgogno	D22/146 X
2,843,966	7/1958	Ingram et al.	D22/145 X
5,495,691	3/1996	Keisala	43/43.12

Primary Examiner—Doris V. Coles
Attorney, Agent, or Firm—Kenyon & Kenyon

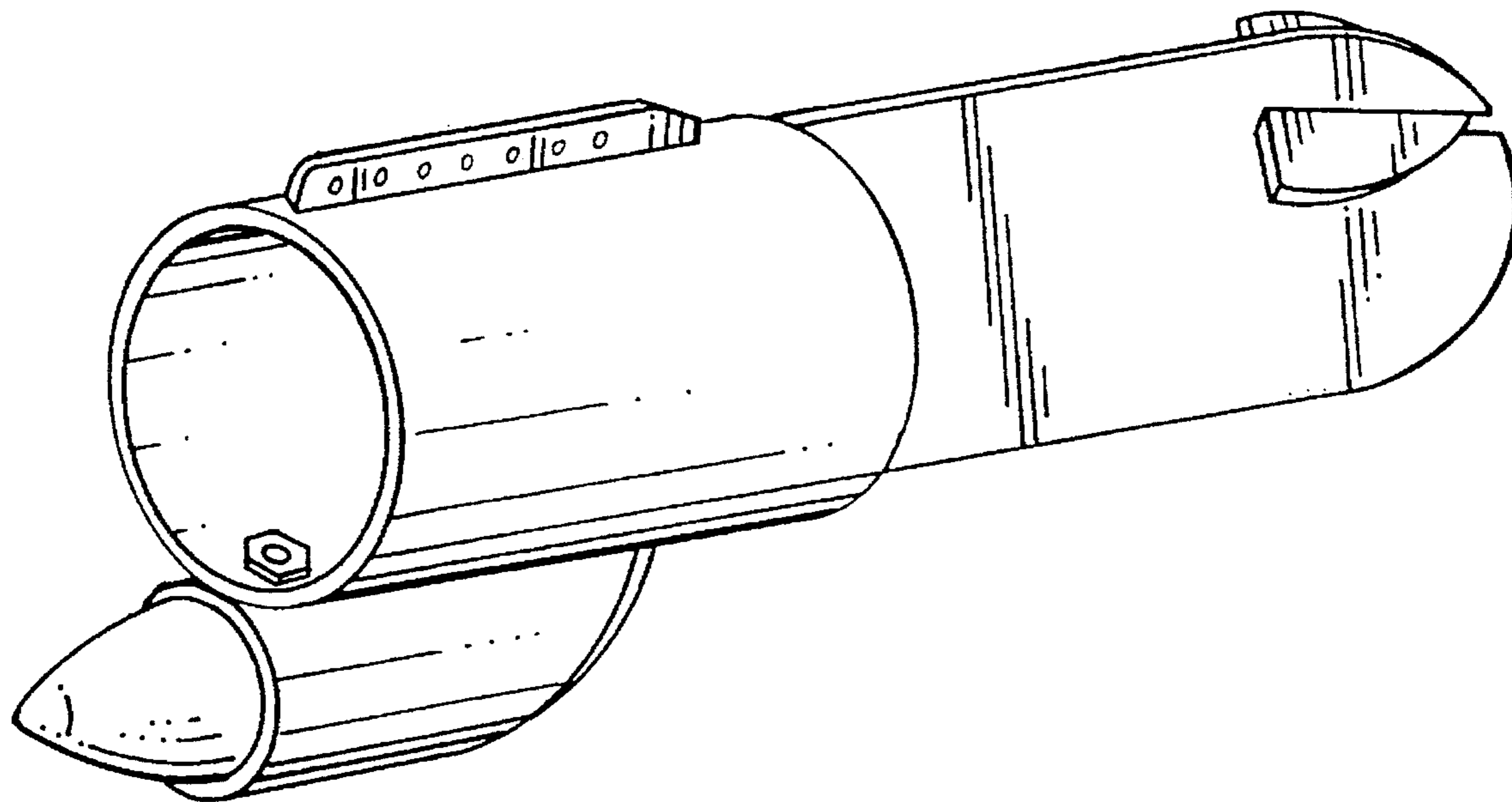
[57] CLAIM

The ornamental design for a fishing sinker, as shown and described.

DESCRIPTION

FIG. 1 is a perspective view of a fishing sinker showing my new design;
FIG. 2 is a right side elevation view thereof;
FIG. 3 is a left side elevation view thereof;
FIG. 4 is a front elevation view thereof;
FIG. 5 is a rear elevation view thereof;
FIG. 6 is a top plan view thereof; and,
FIG. 7 is a bottom plan view thereof.

1 Claim, 4 Drawing Sheets



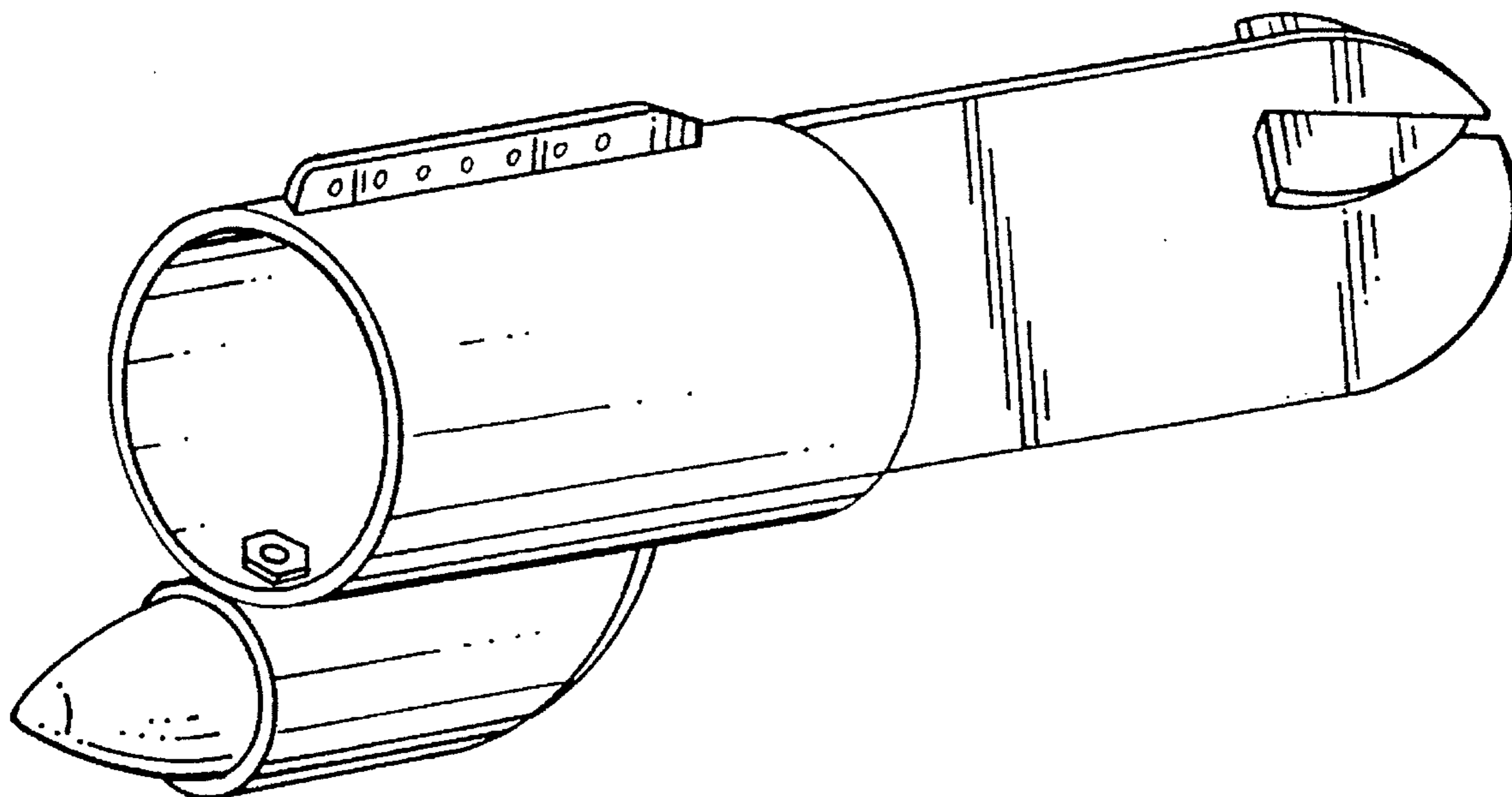


FIG. 1

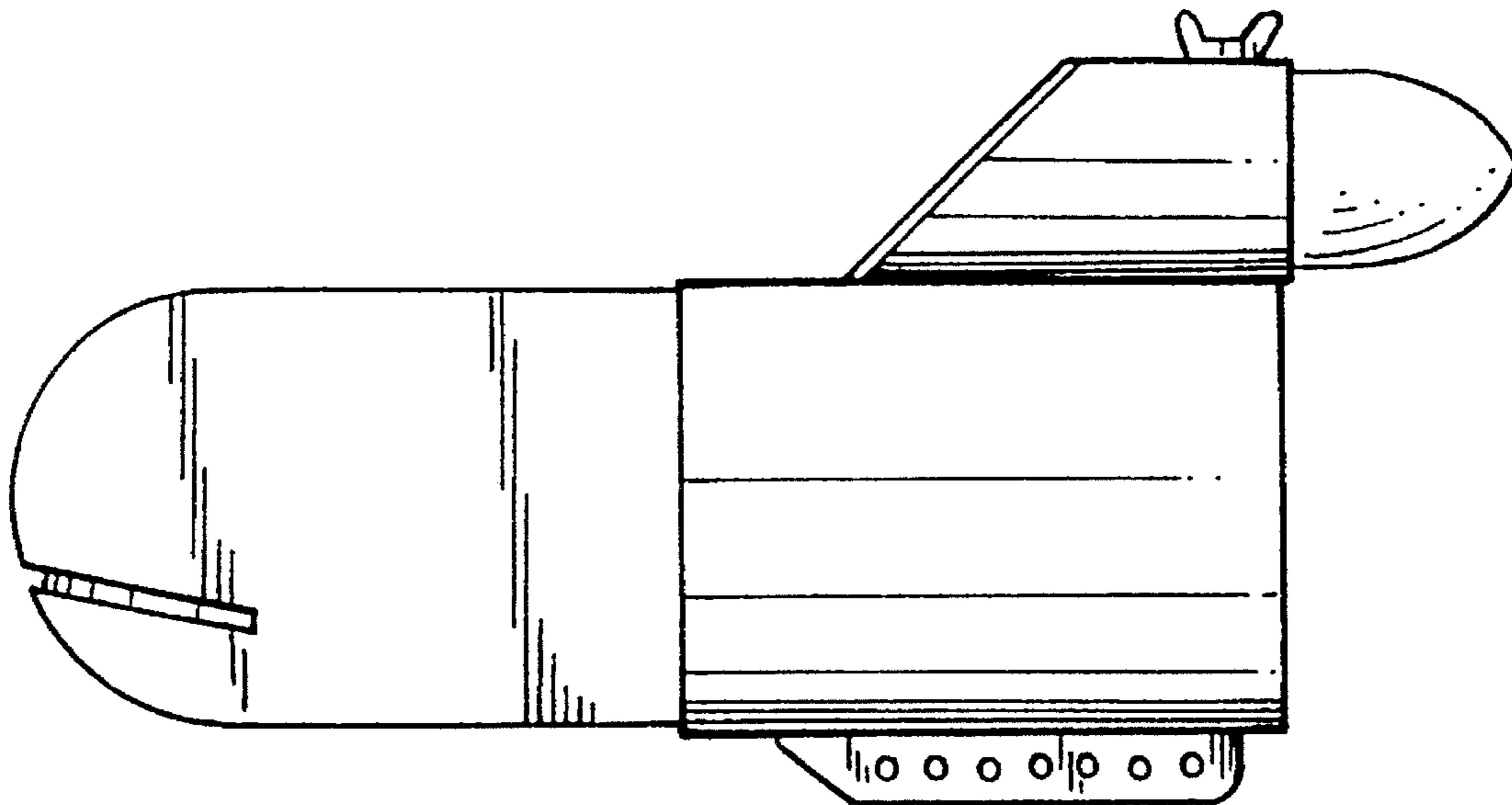


FIG. 2

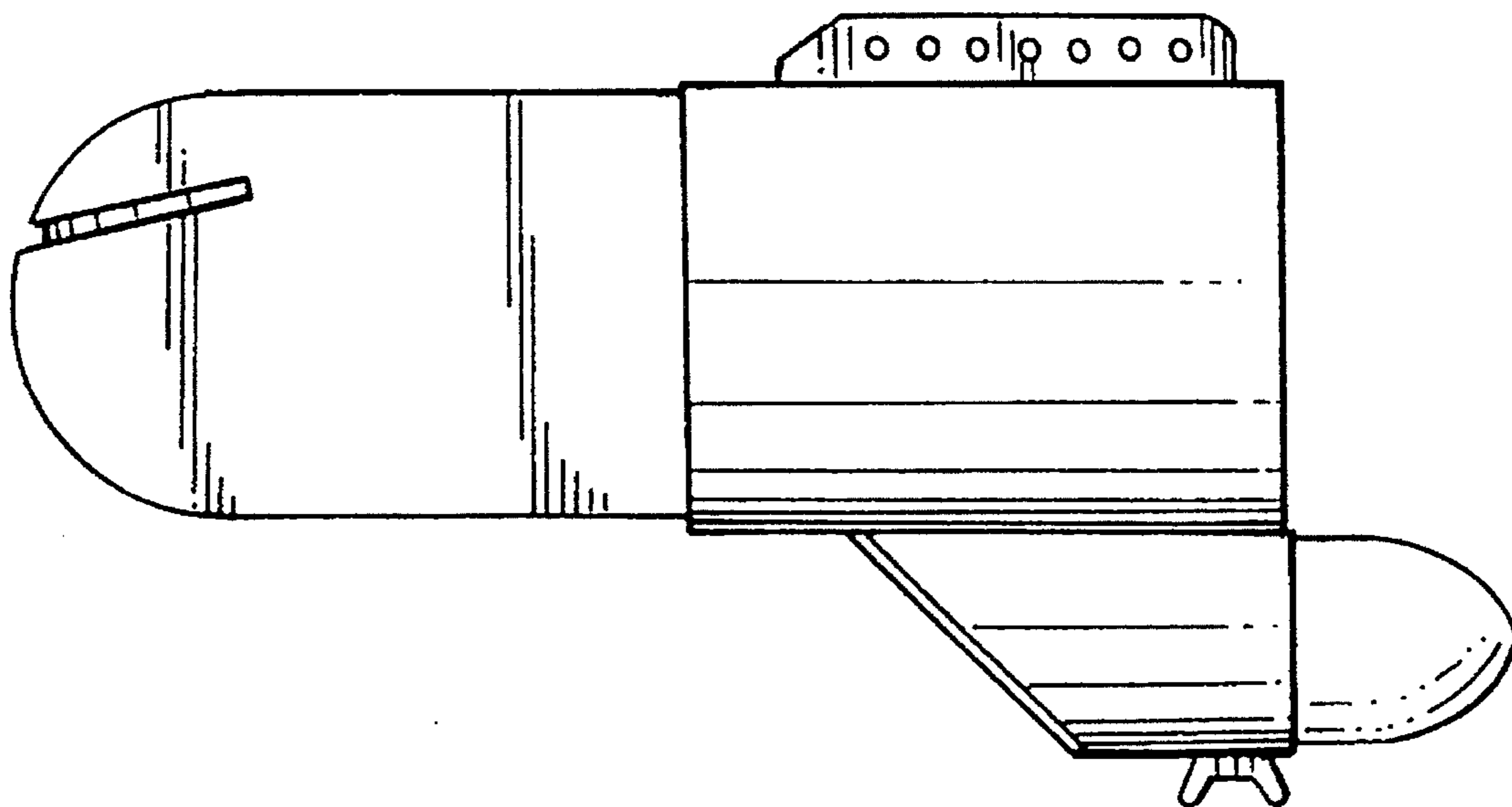


FIG. 3

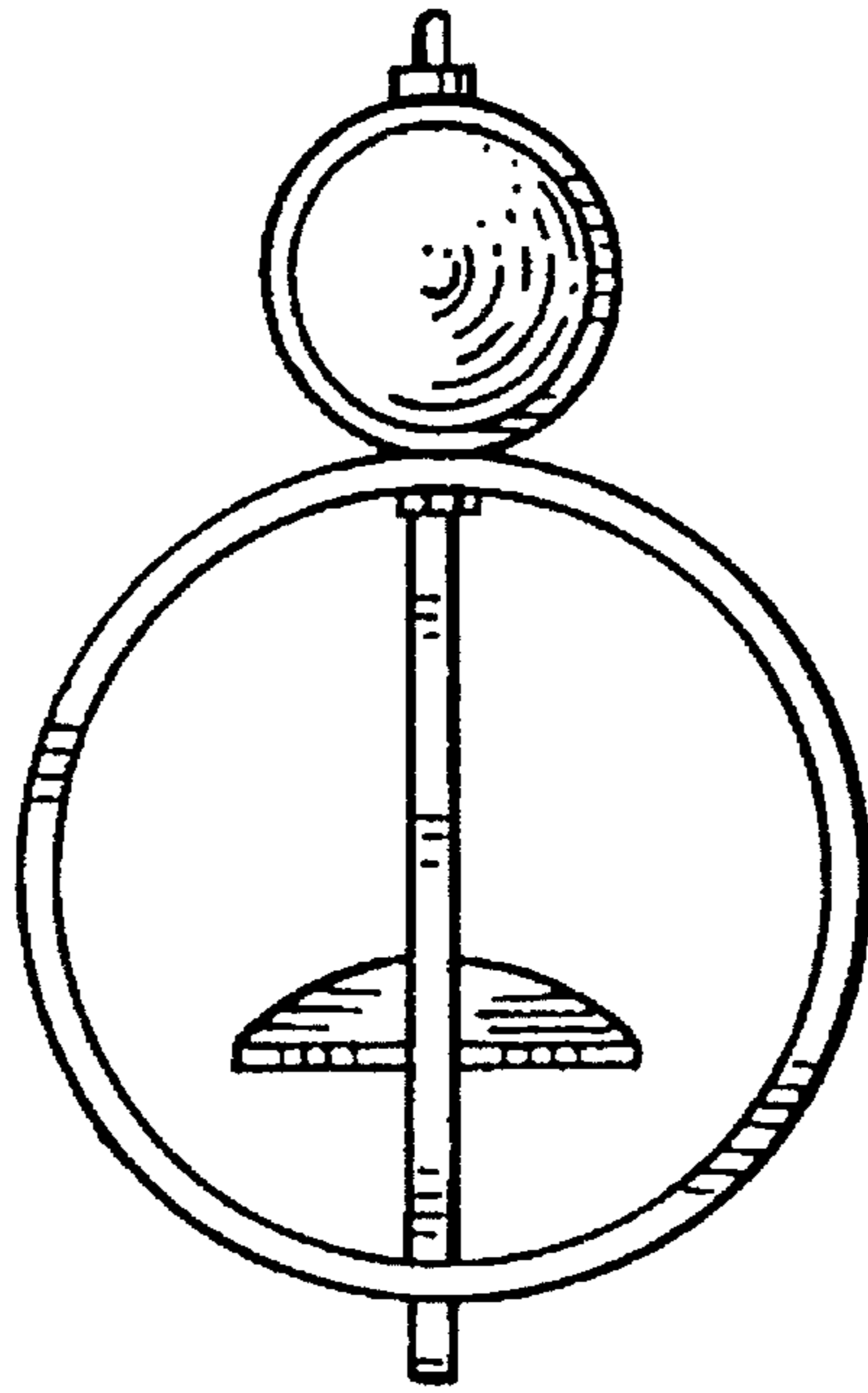


FIG. 4

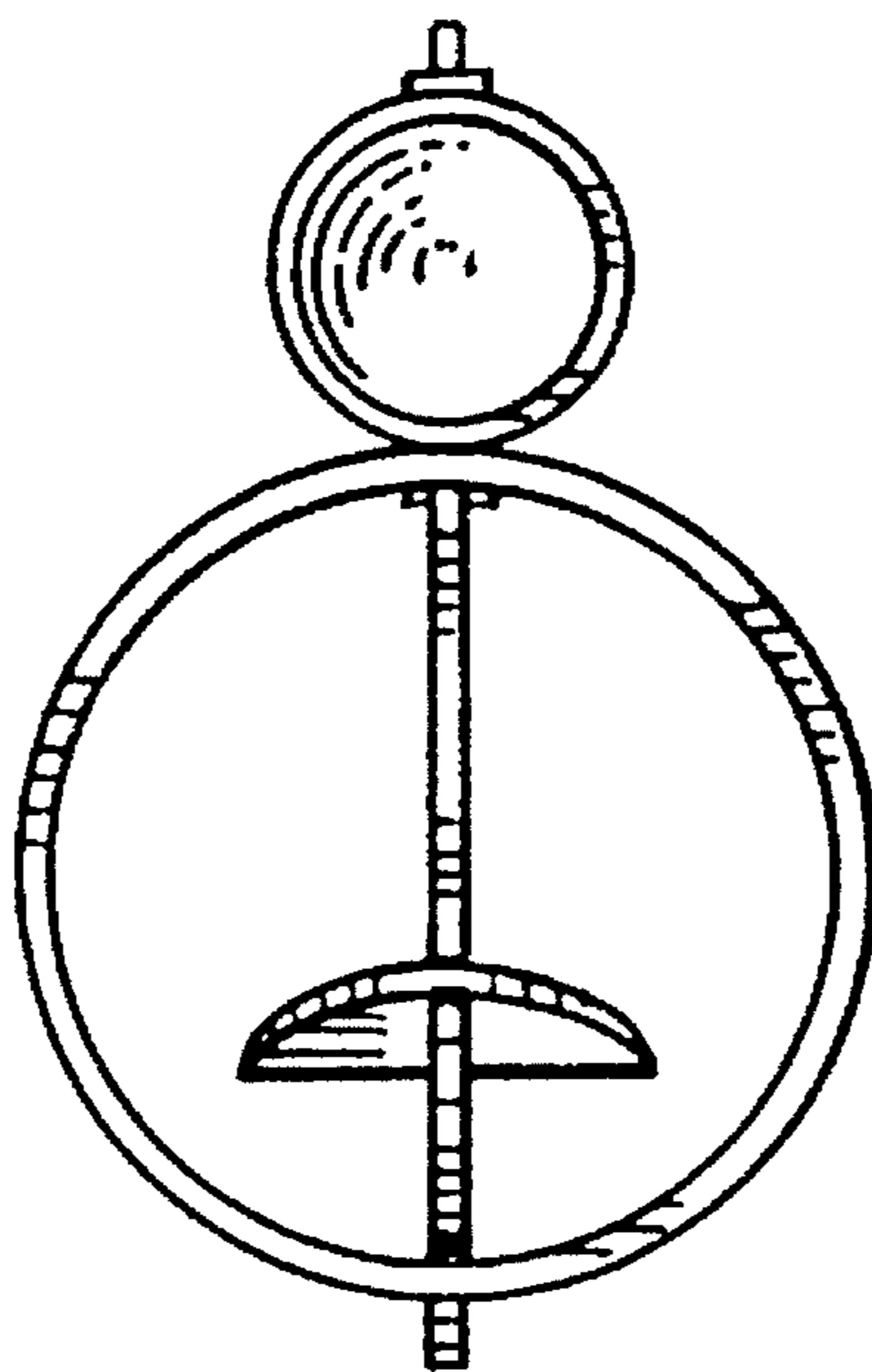


FIG. 5

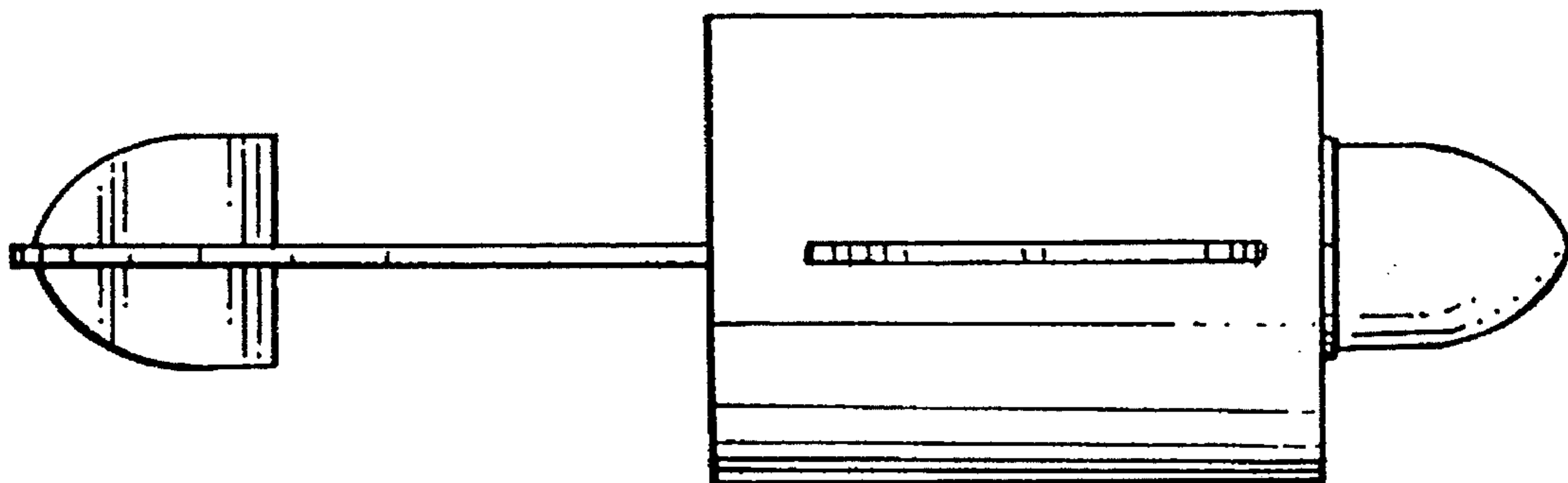


FIG. 6

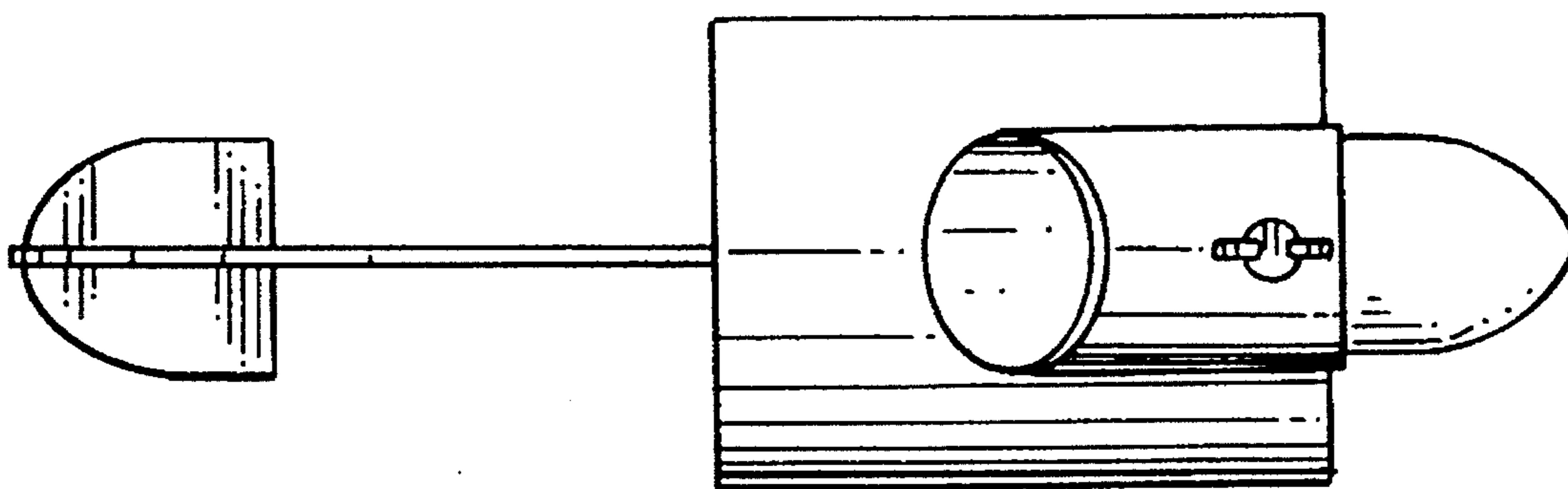


FIG. 7