



US00D378111S

United States Patent [19]

[11] Patent Number: **Des. 378,111**

Parente et al.

[45] Date of Patent: ****Feb. 18, 1997**

[54] **GOLF CLUB HEAD**

[75] Inventors: **Richard E. Parente**, San Diego;
Richard De La Cruz, Pauma Valley;
Danny C. Ashcraft, Vista, all of Calif.

[73] Assignee: **Goldwin Golf U.S.A., Inc.**, Carlsbad, Calif.

[**] Term: **14 Years**

[21] Appl. No.: **25,553**

[22] Filed: **Jul. 5, 1994**

[52] U.S. Cl. **D21/214**

[58] Field of Search D21/214; 273/167-175

[56] **References Cited**

U.S. PATENT DOCUMENTS

1,269,745	6/1918	Robertson .	
1,526,438	2/1925	Scott .	
1,568,888	1/1926	Dunn .	
1,582,836	4/1926	Link .	
1,616,920	2/1927	Pedersen .	
2,003,951	6/1935	Pepin	D21/214 X
2,067,556	1/1937	Wettlaufer	273/80
2,171,383	8/1939	Wettlaufer	273/77
3,819,181	6/1974	Mills	273/80.2
3,941,390	3/1976	Hussey	273/169
3,976,299	8/1976	Lawrence et al.	273/171
4,021,047	5/1977	Mader	273/167
4,214,754	7/1980	Zebelean	273/167

4,417,731	11/1983	Yamada	273/167 H
4,429,879	2/1984	Schmidt	273/167
4,944,515	7/1990	Shearer	273/171 X
5,058,895	10/1991	Igarashi	273/167 F
5,090,702	2/1992	Viste	273/167
5,232,224	8/1993	Zeider	273/167

FOREIGN PATENT DOCUMENTS

211781	12/1957	Australia .
371974	5/1932	United Kingdom .
1476889	6/1977	United Kingdom .

Primary Examiner—Ted Shooman
Assistant Examiner—Mitchell I. Siegel
Attorney, Agent, or Firm—Craig P. Opperman

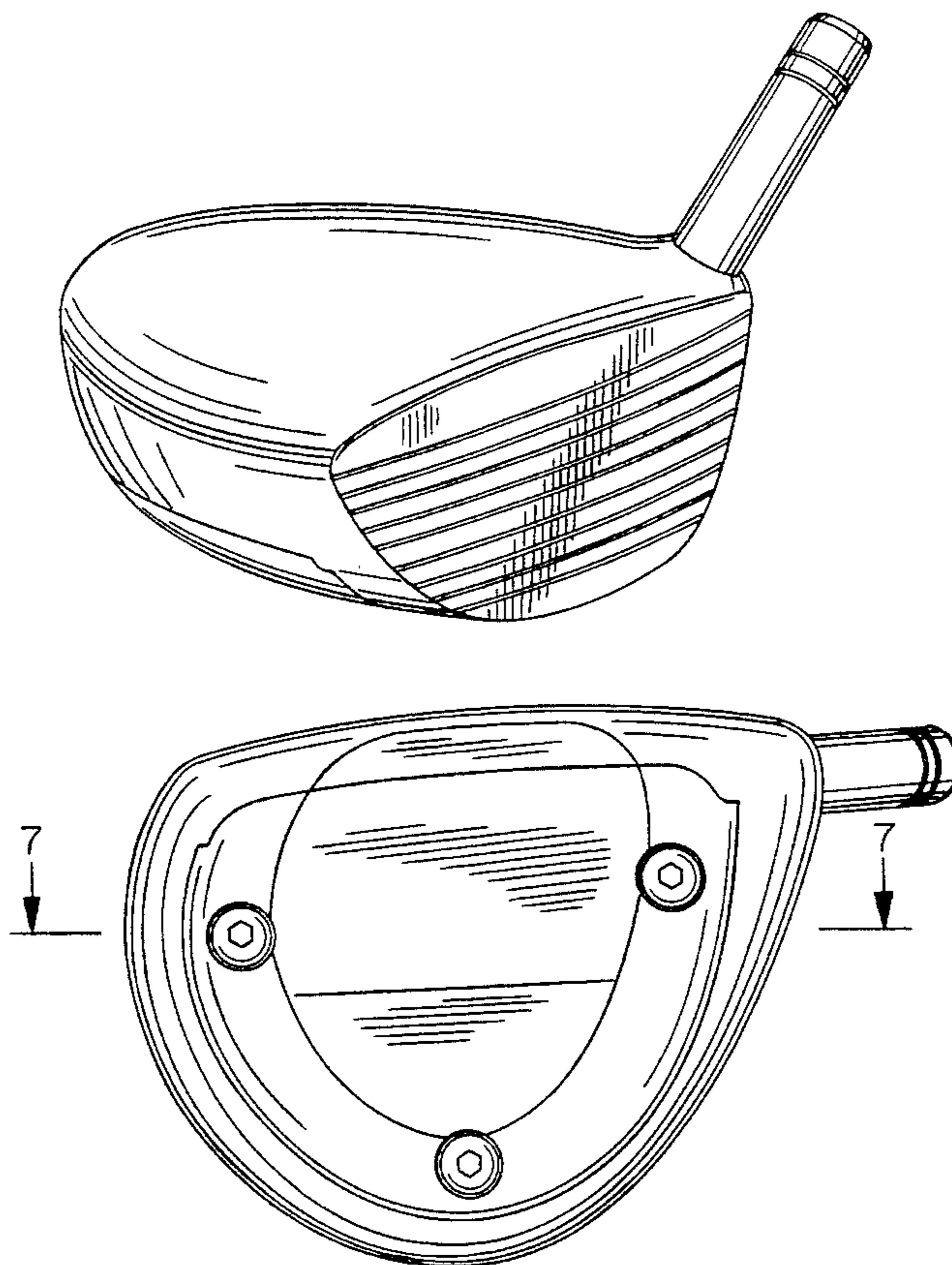
[57] **CLAIM**

The ornamental design for a golf club head, as shown.

DESCRIPTION

FIG. 1 is a perspective view of a golf club head showing our new design;
FIG. 2 is a bottom plan view thereof;
FIG. 3 is a rear elevational view thereof;
FIG. 4 is a front elevational view thereof;
FIG. 5 is a right elevational view thereof;
FIG. 6 is a left side elevational view thereof;
FIG. 7 is a sectional view taken on line 7—7 of FIG. 2; and,
FIG. 8 is a sectional view taken on line 8—8 of FIG. 4.

1 Claim, 3 Drawing Sheets



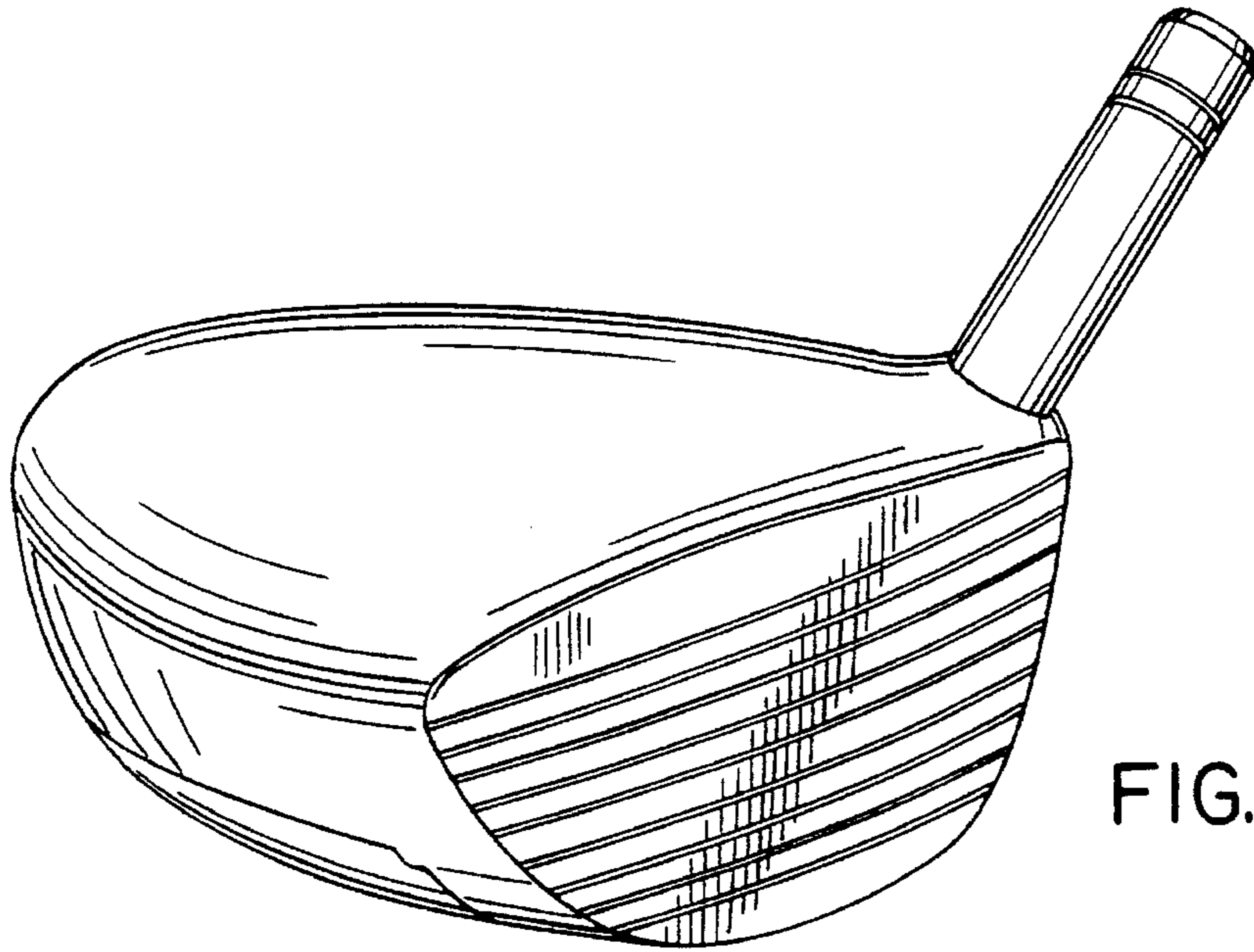


FIG. 1

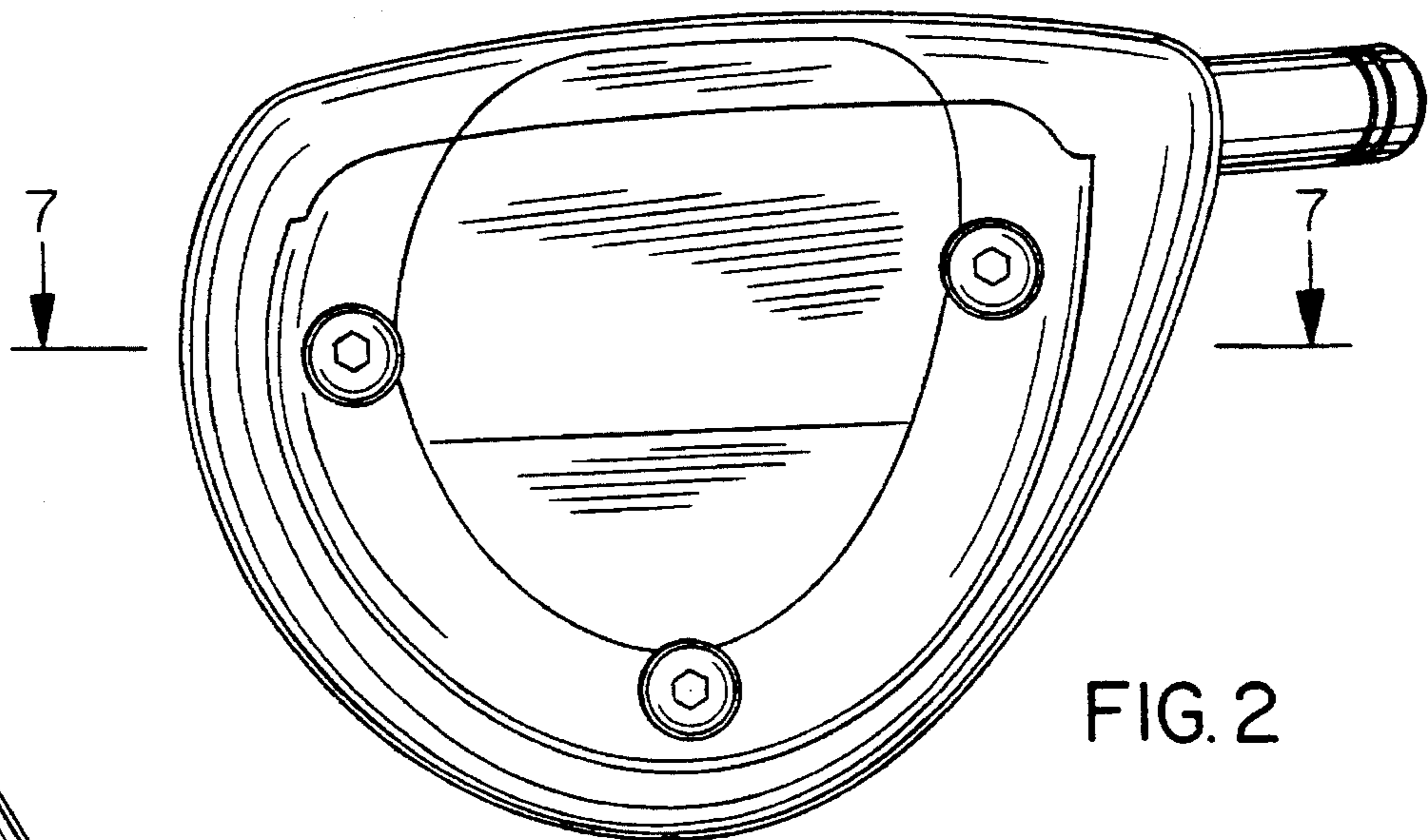


FIG. 2

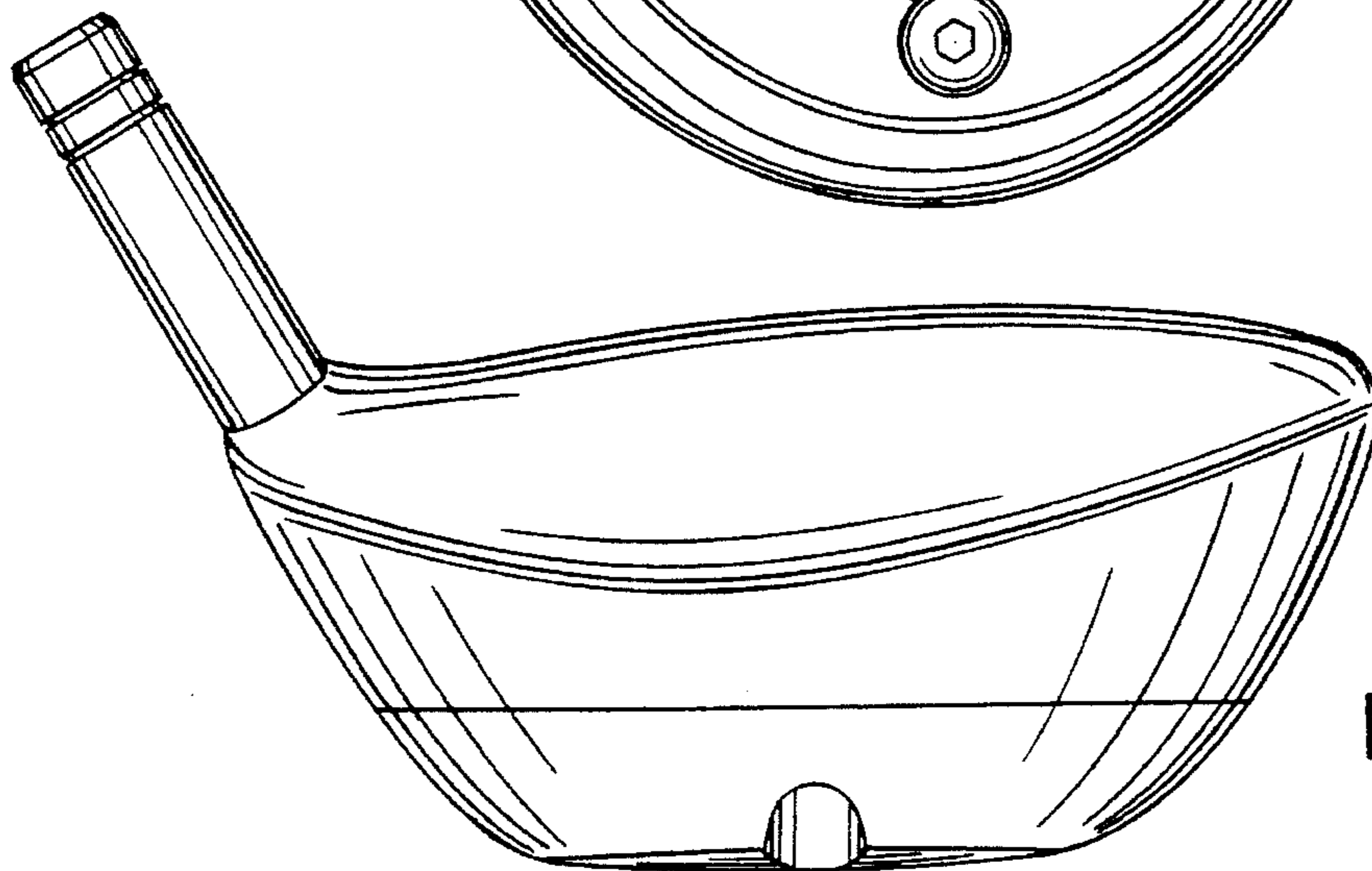
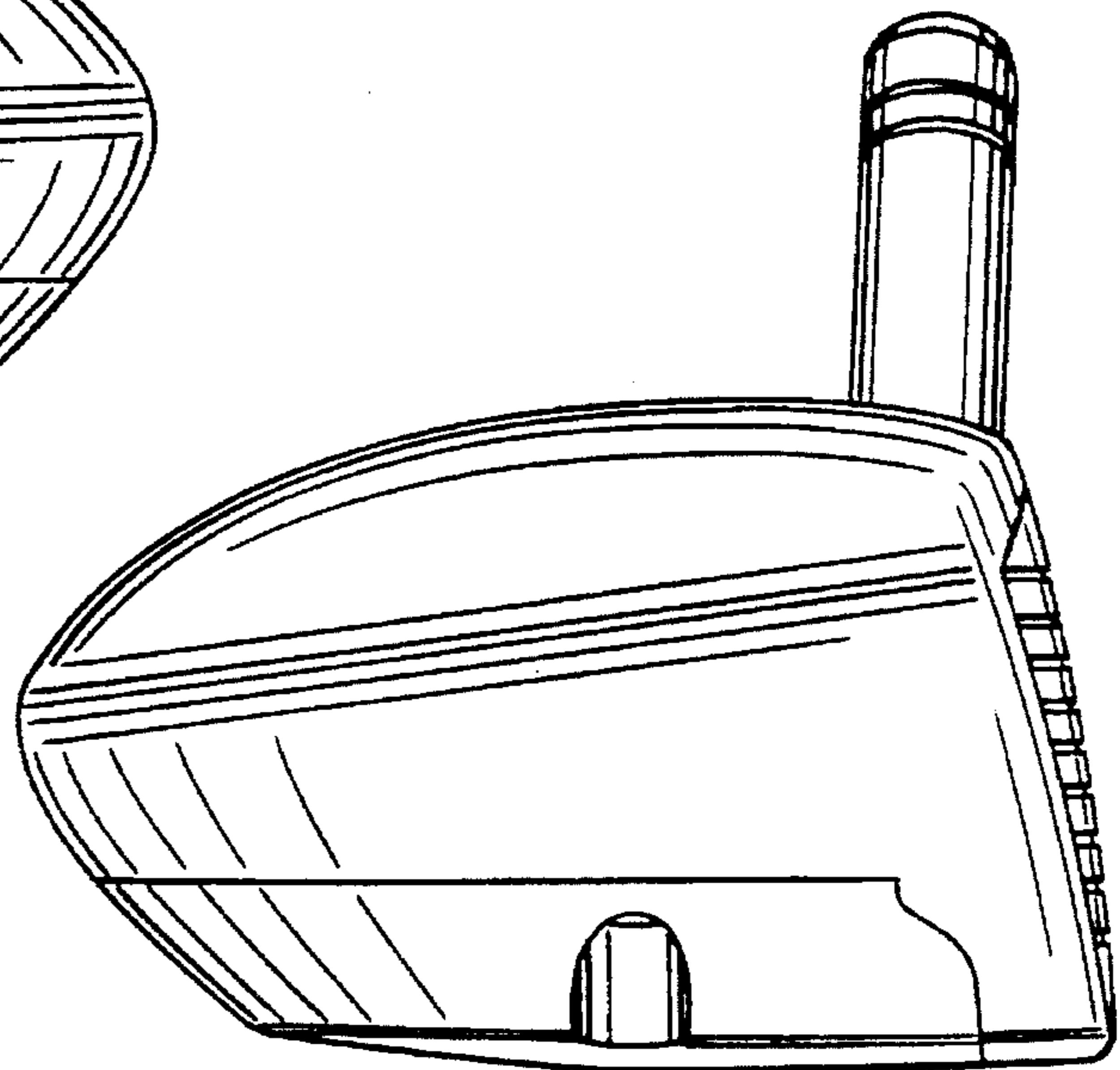
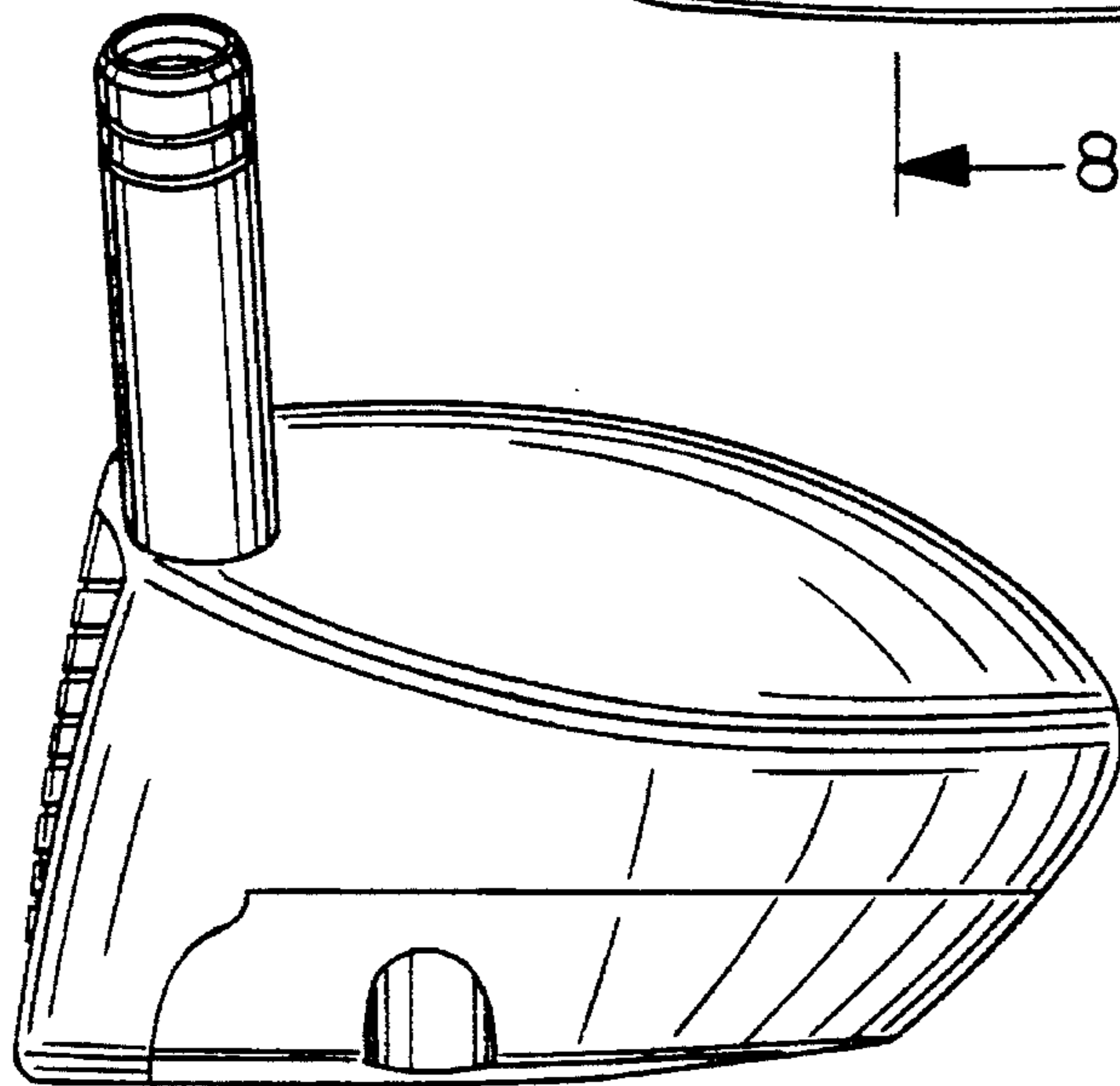
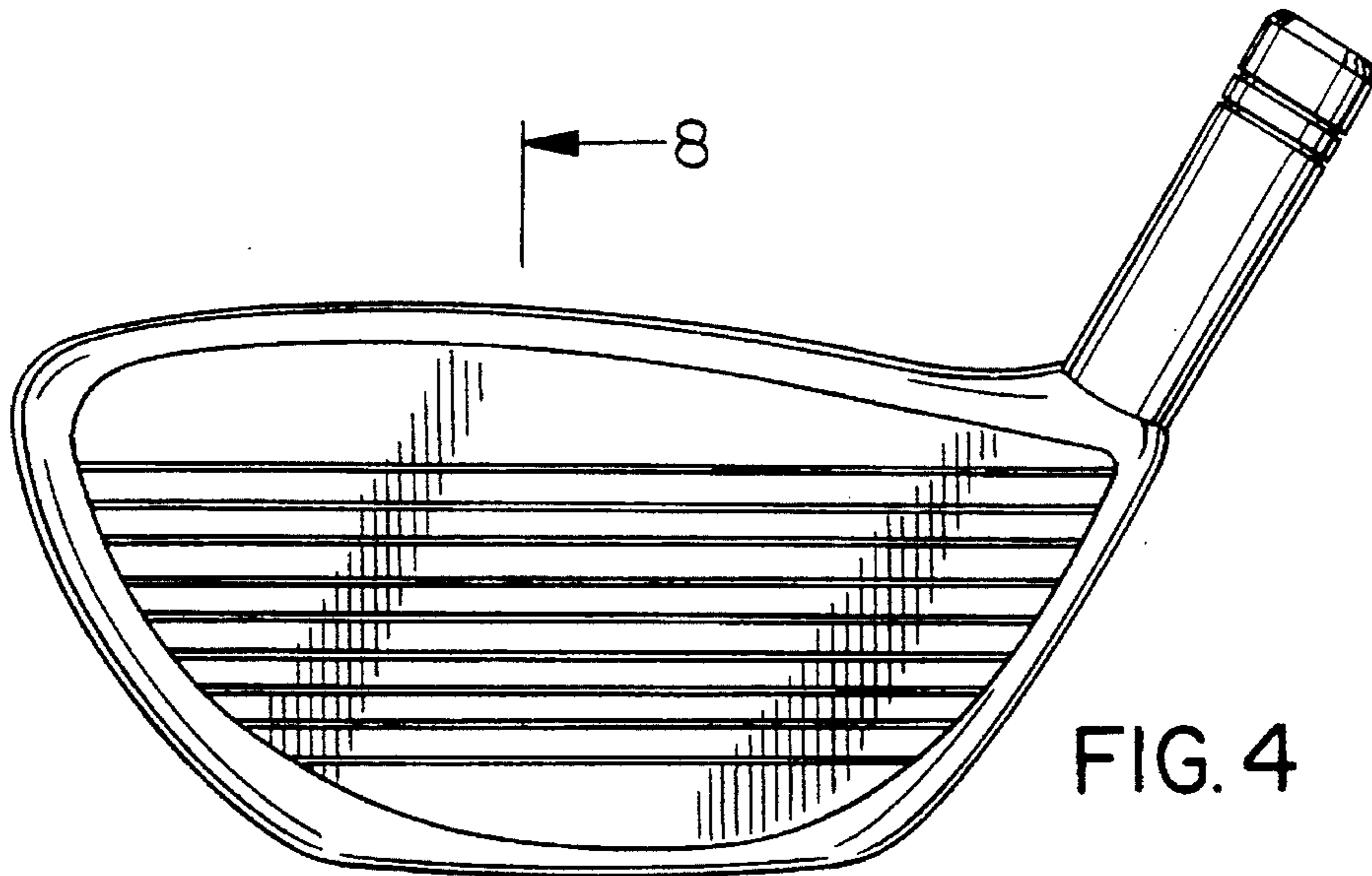


FIG. 3



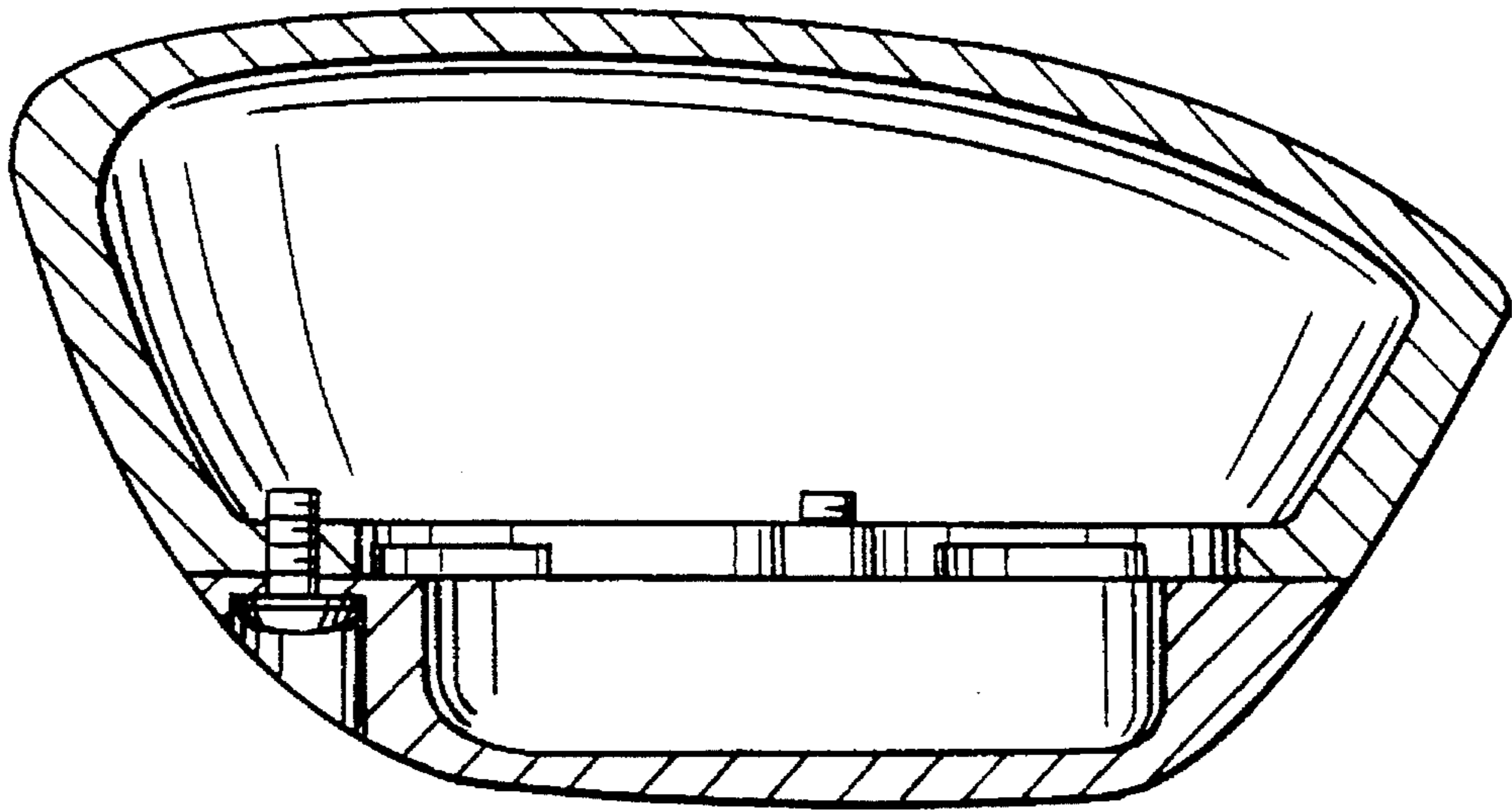


FIG. 7

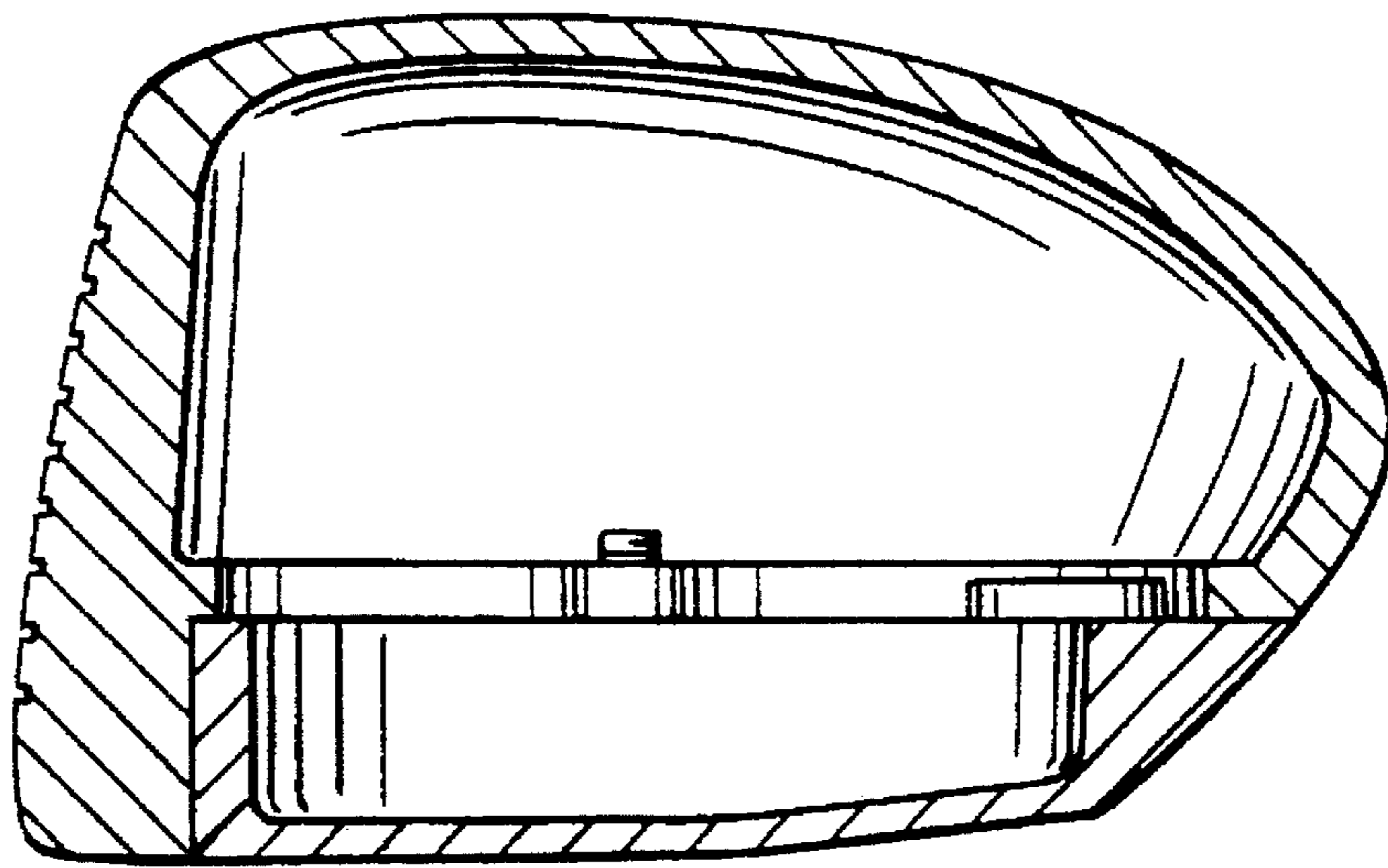


FIG. 8