



US00D378110S

United States Patent [19]

Collinsworth

[11] Patent Number: **Des. 378,110**

[45] Date of Patent: ****Feb. 18, 1997**

[54] EXERCISING DEVICE

5,066,005 11/1991 Luecke 482/136
5,370,593 12/1994 Wang 482/72

[76] Inventor: **Tommy E. Collinsworth**, Box 462,
Sibley, La. 71073

OTHER PUBLICATIONS

[**] Term: **14 Years**

Service Merchandise Catalog, 1990, p. 454, Rowing Exercisers.

[21] Appl. No.: **42,364**

Primary Examiner—Philip S. Hyder
Attorney, Agent, or Firm—John M. Harrison

[22] Filed: **Aug. 9, 1995**

[52] U.S. Cl. **D21/191**; D21/195

[57] CLAIM

[58] Field of Search D21/191, 195;
482/72, 73, 95, 96, 110, 111, 112, 148

The ornamental design for an exercising device, as shown and described.

[56] References Cited

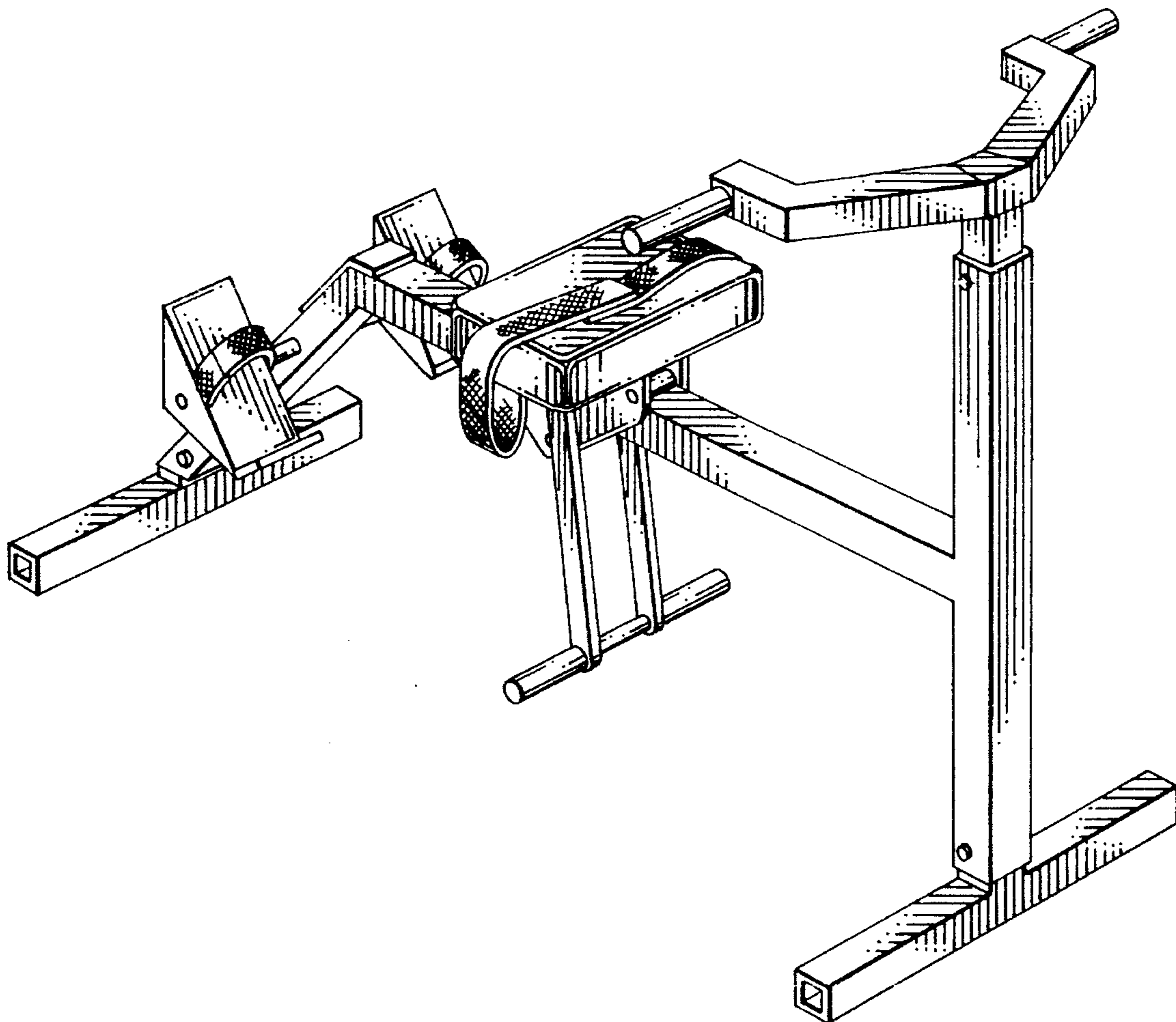
DESCRIPTION

U.S. PATENT DOCUMENTS

D. 286,311	10/1986	Martinell et al.	D21/195
D. 289,539	4/1987	Brentham	D21/195
D. 344,112	2/1994	Smith	D21/195
D. 352,534	11/1994	Dreibelbis et al.	D21/195
D. 358,855	5/1995	Wang	D21/195
1,974,445	9/1934	Calleson	272/72
3,586,322	6/1971	Kverneland	482/72
4,101,124	7/1978	Mahnke	272/134
4,284,272	8/1981	Evans et al.	482/72
4,730,769	6/1990	Nenoff .	
4,974,832	12/1990	Dalebout	272/72

FIG. 1 is a perspective view of the exercising device, showing my new design;
FIG. 2 is a front elevation view of the exercising device;
FIG. 3 is a rear elevation view thereof;
FIG. 4 is a right side elevation view thereof;
FIG. 5 is a left side elevation view thereof;
FIG. 6 is a top elevation view thereof; and,
FIG. 7 is a bottom elevation view of the exercising device illustrated in FIGS. 1-6.

1 Claim, 2 Drawing Sheets



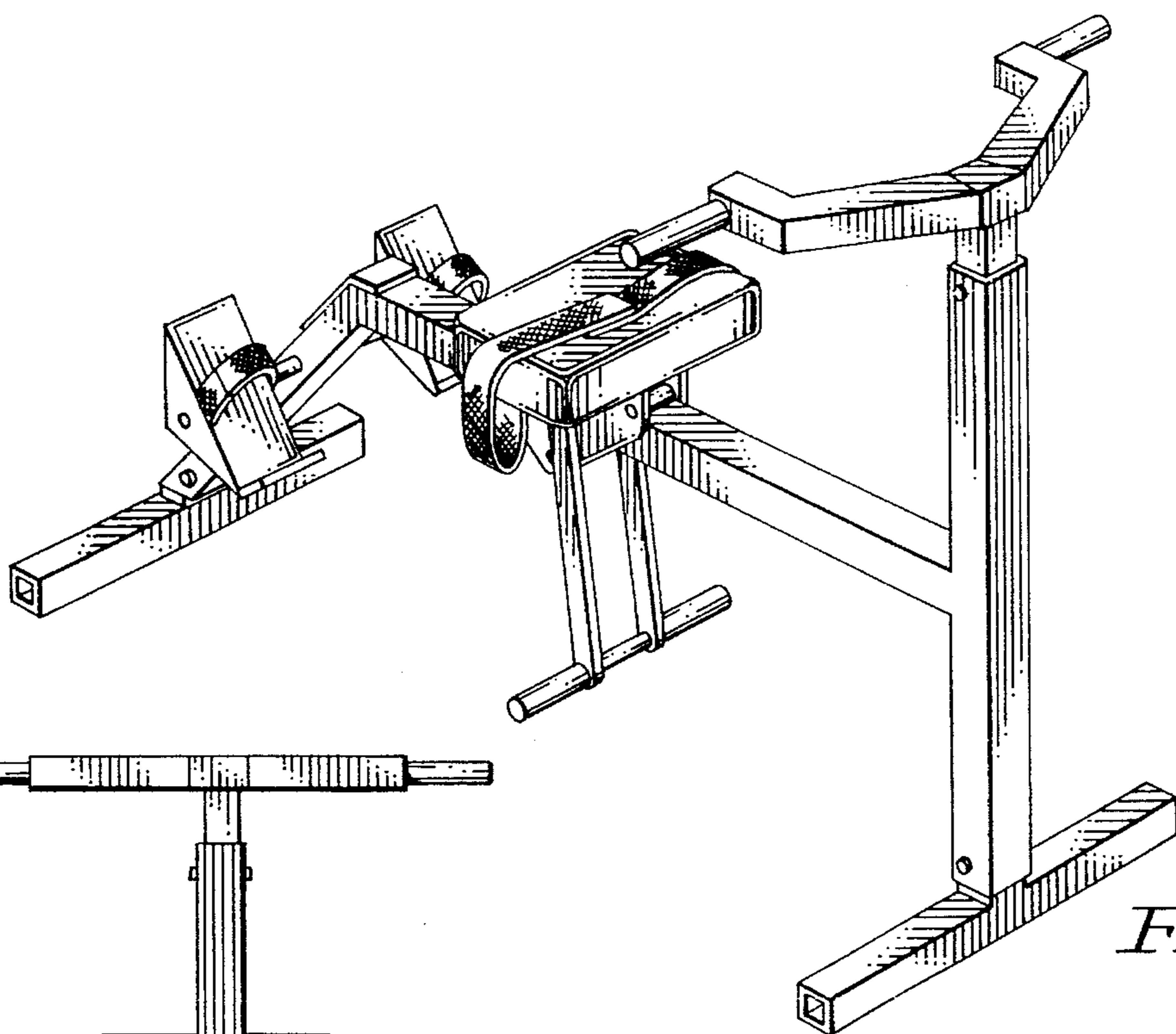


FIG. 1

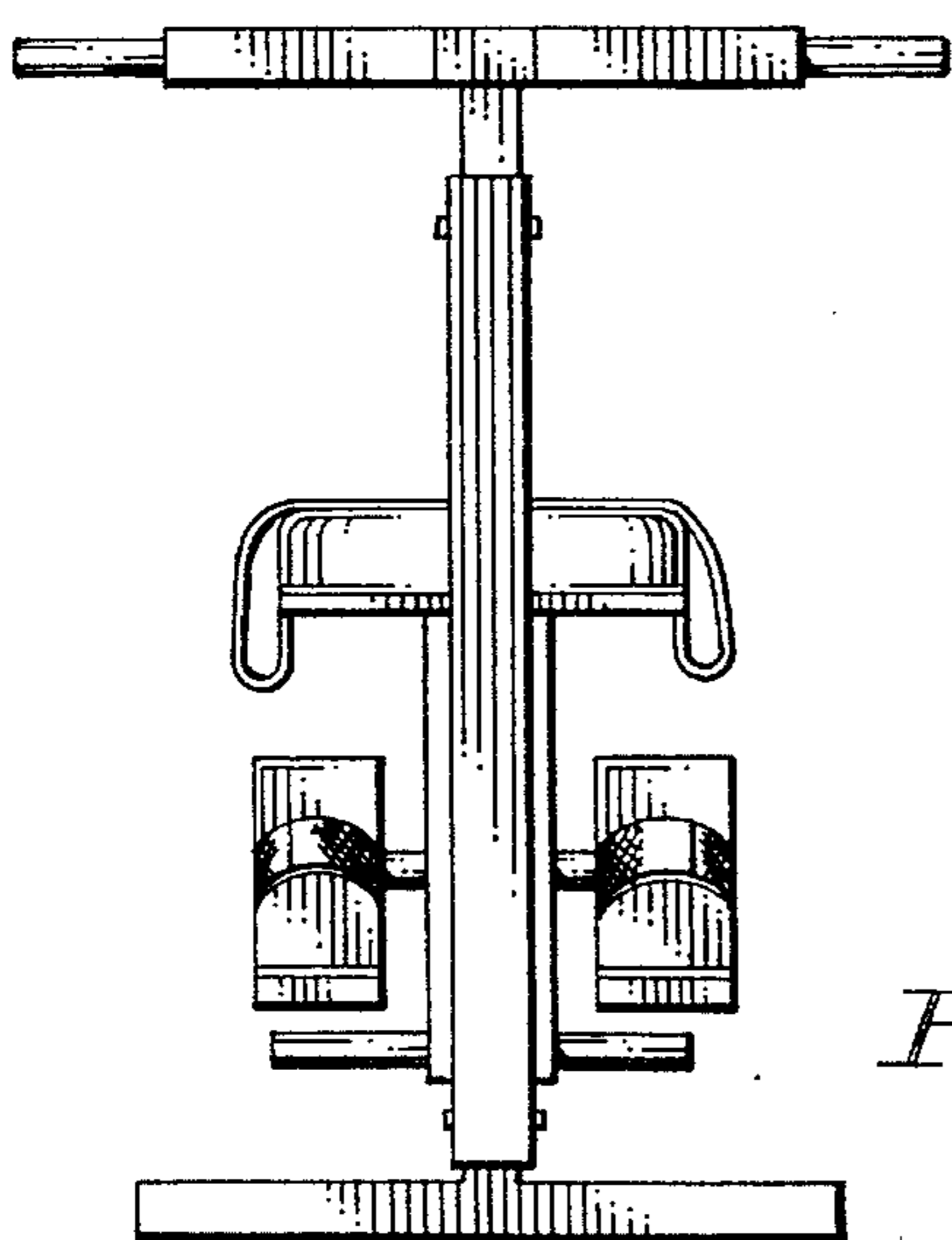


FIG. 2

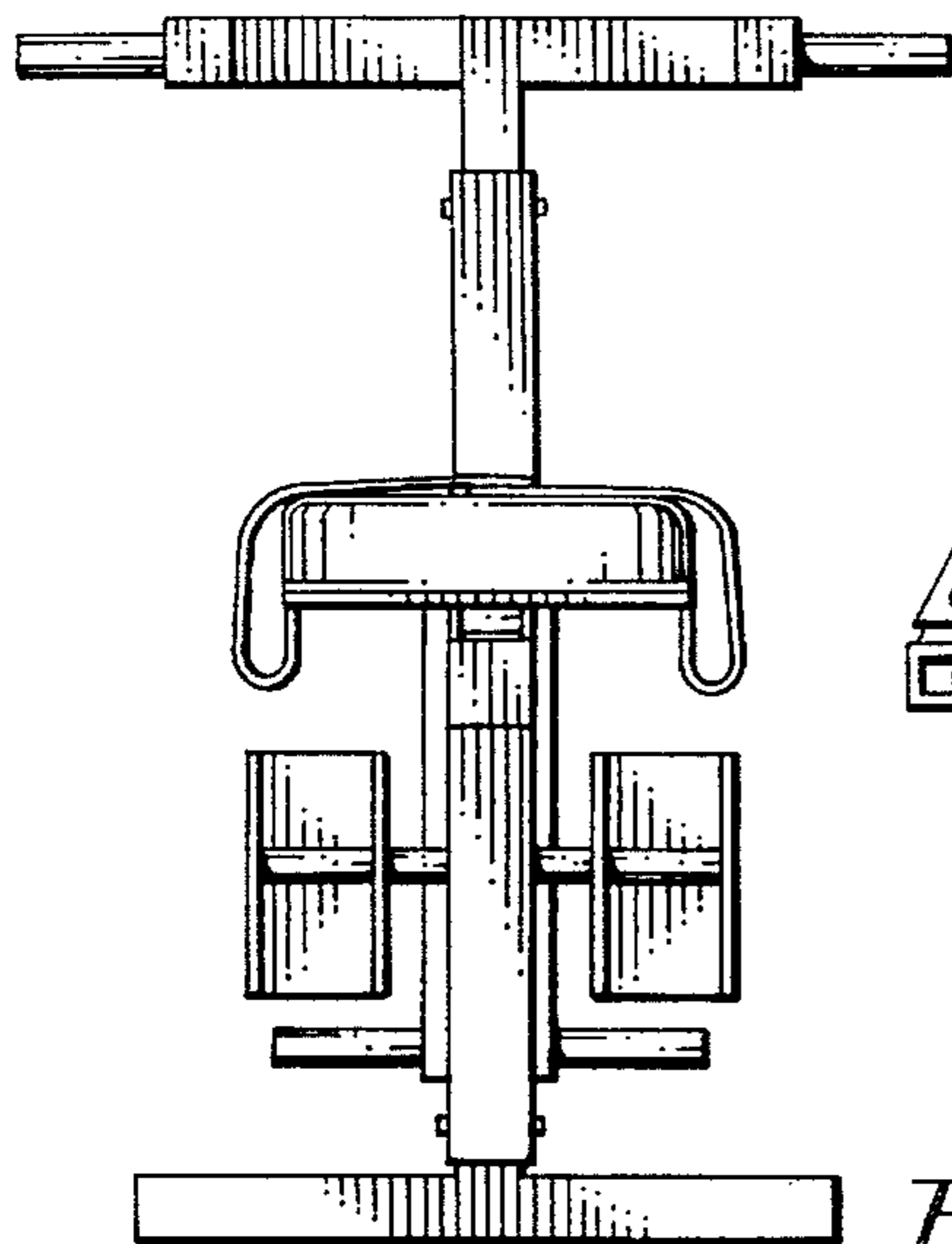


FIG. 3

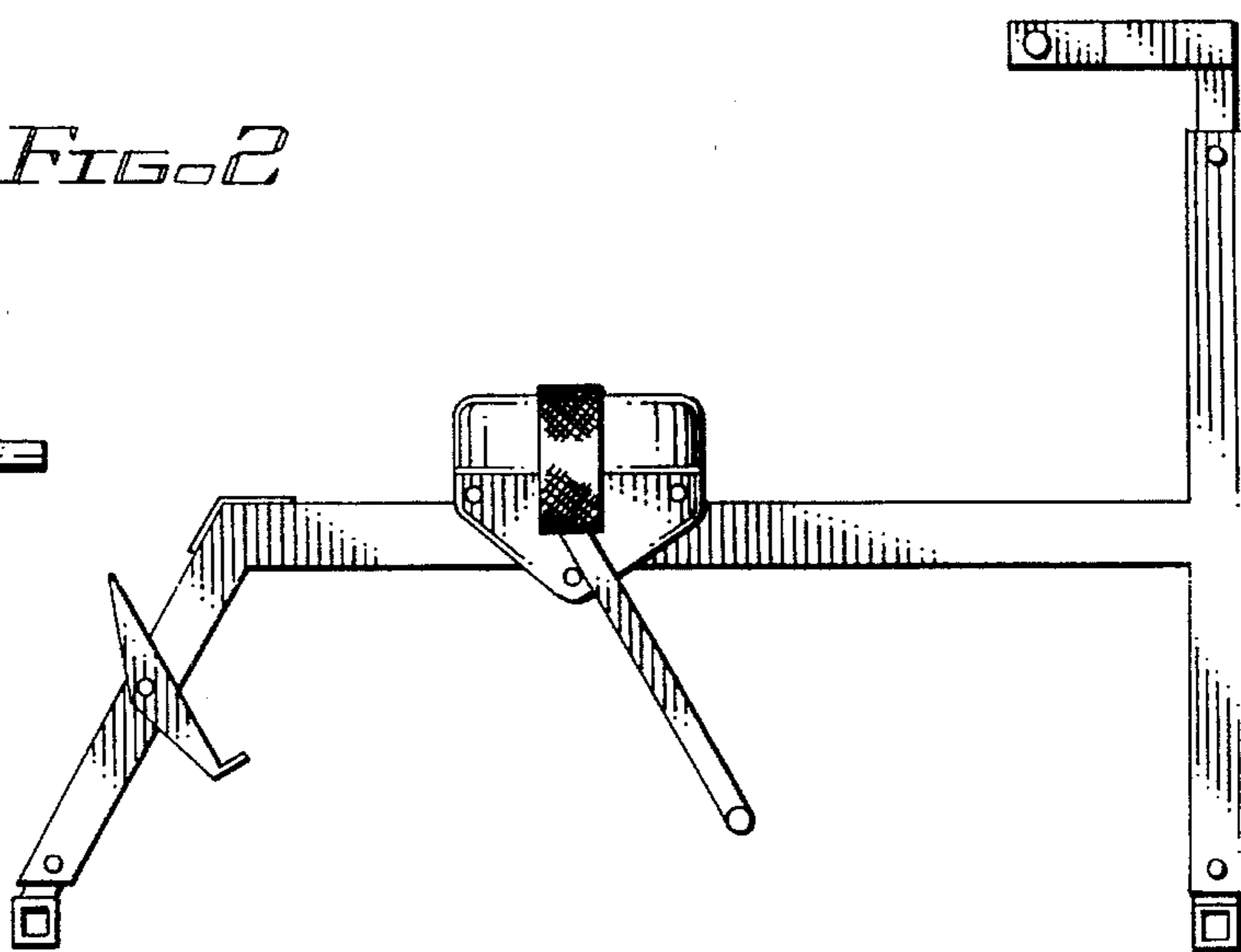


FIG. 4

