



US00D378108S

United States Patent [19]

[11] Patent Number: **Des. 378,108**

Shippy

[45] Date of Patent: ****Feb. 18, 1997**

[54] **ANIMAL FOOT TOY**

2,043,658	6/1936	Graitcer	446/390
2,163,361	6/1939	Ford et al.	54/82
3,794,119	2/1974	Paiso et al.	D30/147
3,970,149	7/1976	Featherstone	D30/147
5,224,549	7/1993	Lightner	54/82

[76] Inventor: **Steven Shippy**, R.R. 1, Bluffton, AB,
T0C 0M0, Canada

[**] Term: **14 Years**

Primary Examiner—Sandra L. Morris
Attorney, Agent, or Firm—Harold H. Dutton, Jr.; W. Charles
L. Jamison; Diane F. Liebman

[21] Appl. No.: **40,318**

[22] Filed: **Jun. 15, 1995**

[52] U.S. Cl. **D21/189**; D2/899; D2/910;
D30/146; D30/147; 168/18; 54/82

[57] **CLAIM**

The ornamental design for an animal foot toy, as shown.

[58] Field of Search D21/148-154,
D21/165, 189; 446/26, 28, 390; D30/146,
147; 36/111; 54/82; 168/1, 3, 18; D2/897,
899, 909, 910

DESCRIPTION

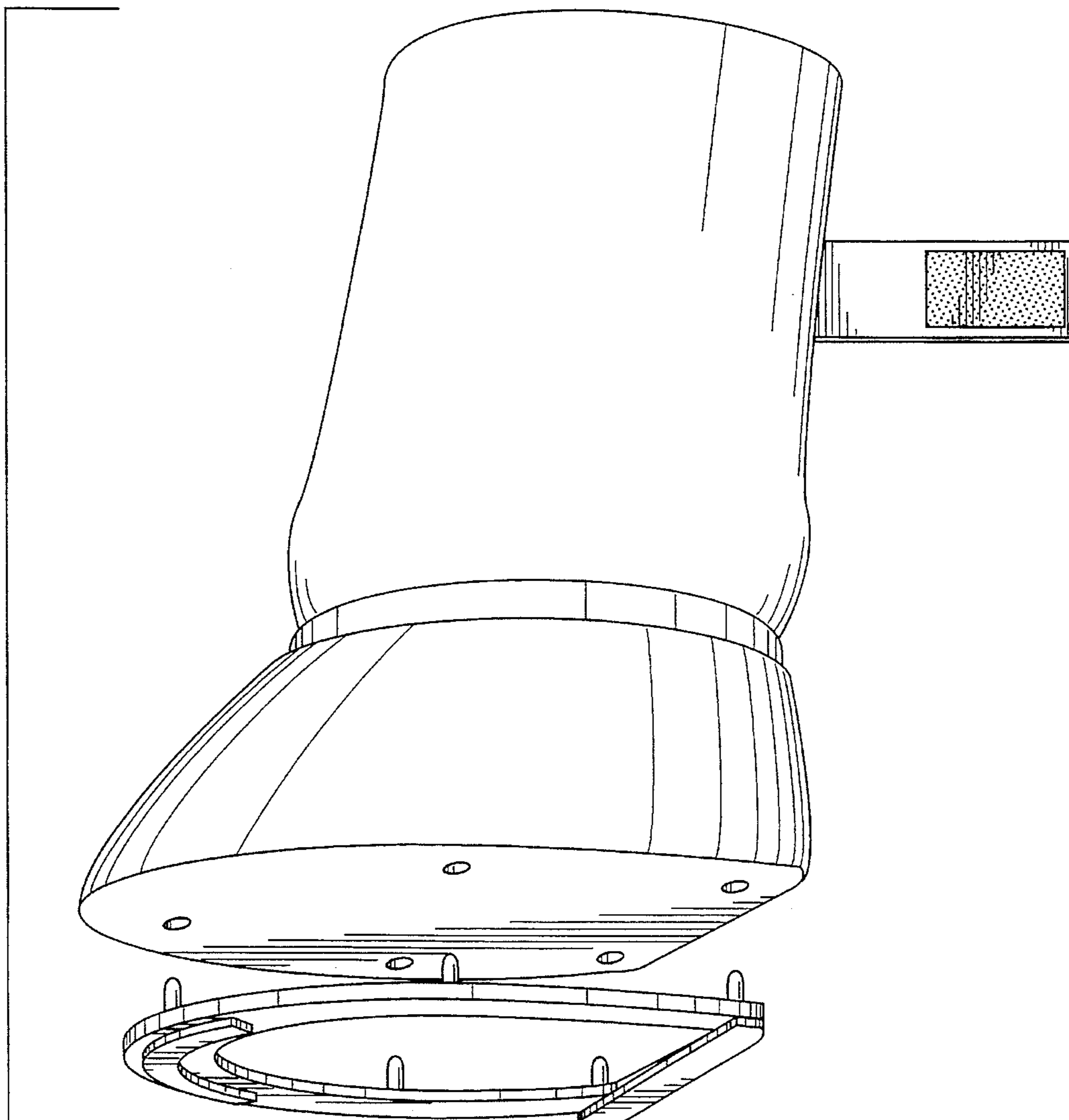
FIG. 1 is a perspective view of an animal foot toy showing
my new design;
FIG. 2 is a left side view thereof;
FIG. 3 is a top plan view thereof;
FIG. 4 is a bottom plan view thereof;
FIG. 5 is a front view thereof; and,
FIG. 6 is a rear view thereof.

[56] **References Cited**

U.S. PATENT DOCUMENTS

D. 108,491	2/1938	Ford et al.	D30/146
D. 224,793	9/1972	Jeckel	D30/147
1,174,848	3/1916	Gear	168/18

1 Claim, 4 Drawing Sheets



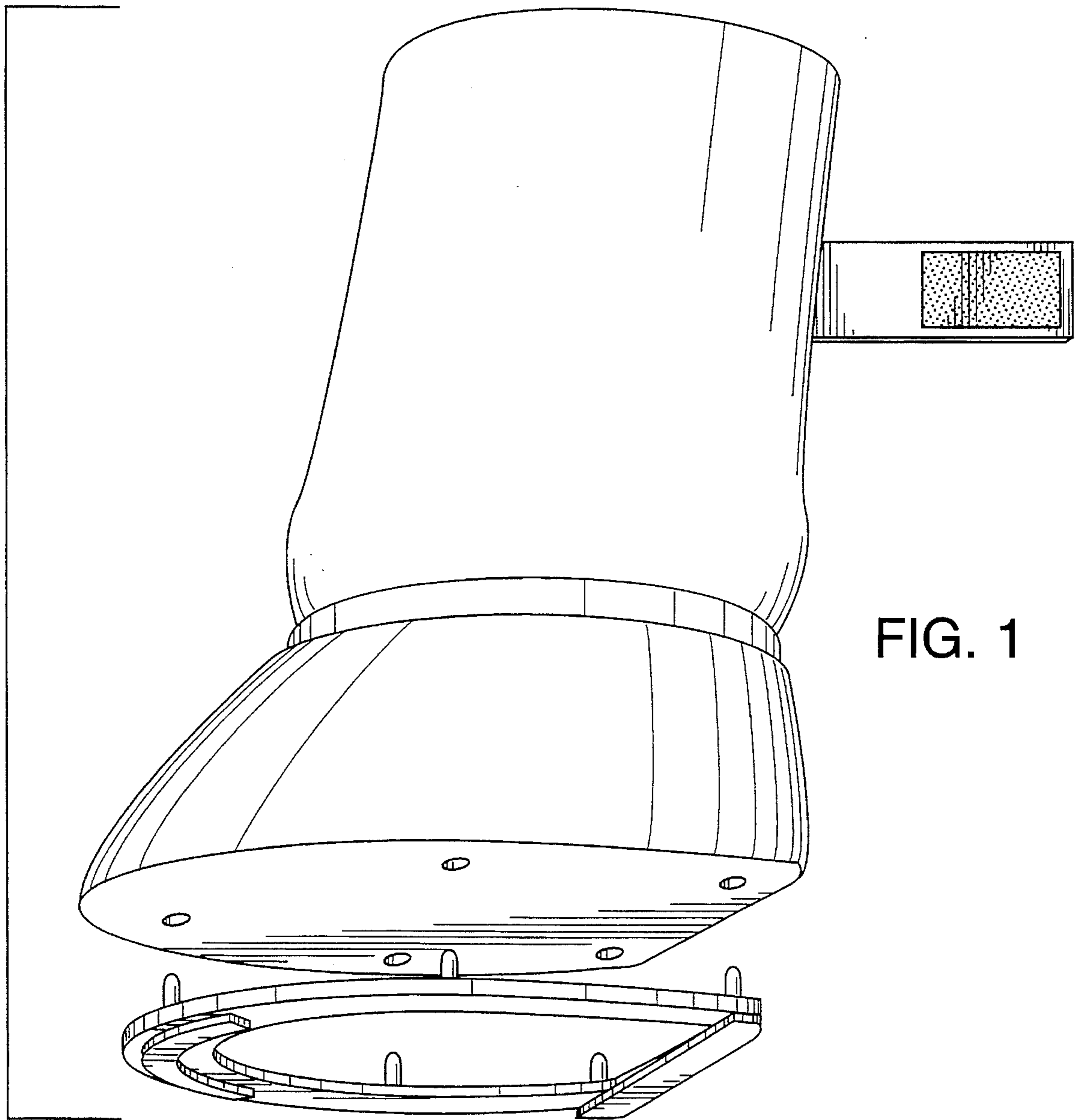


FIG. 1

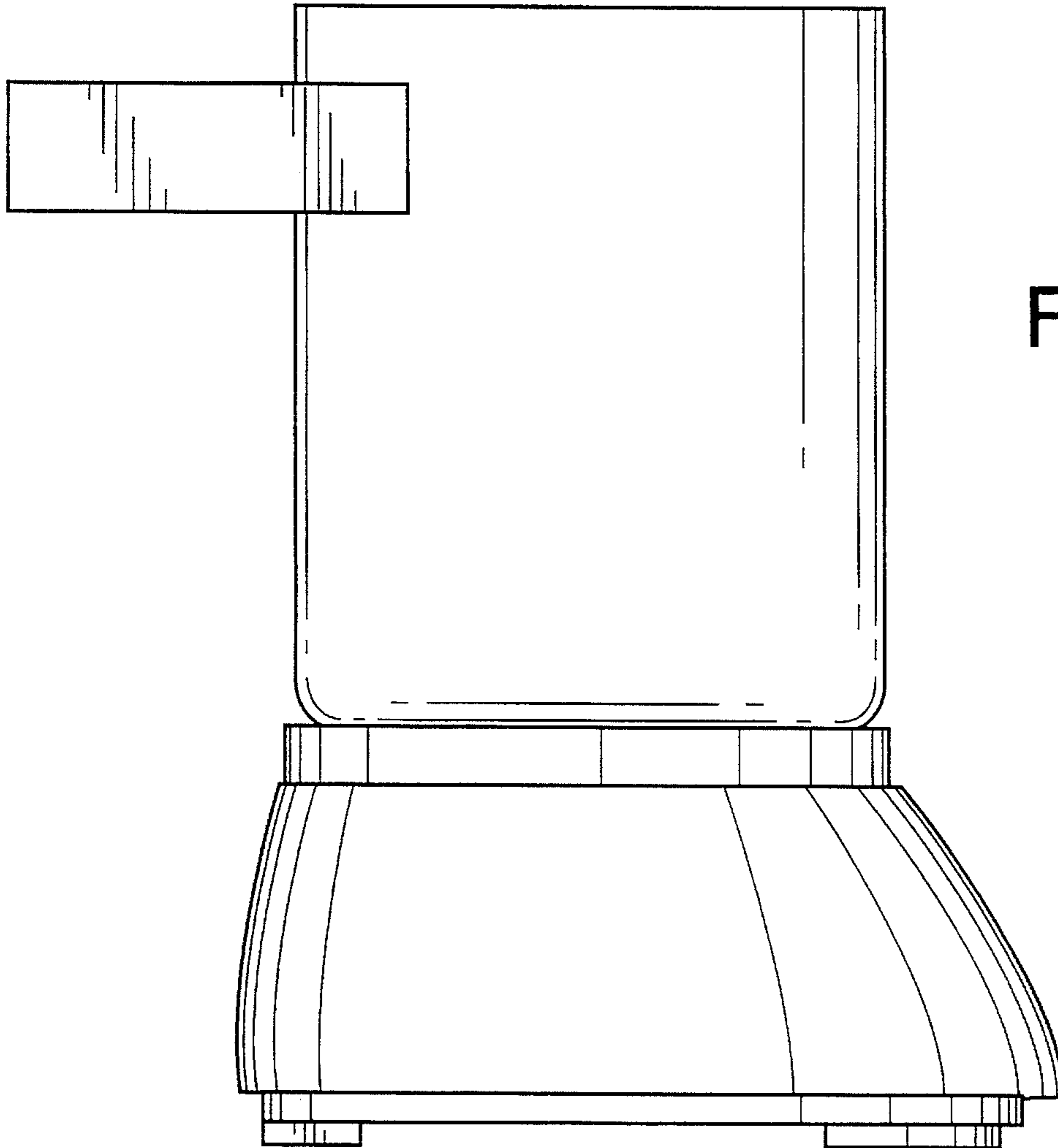


FIG. 2

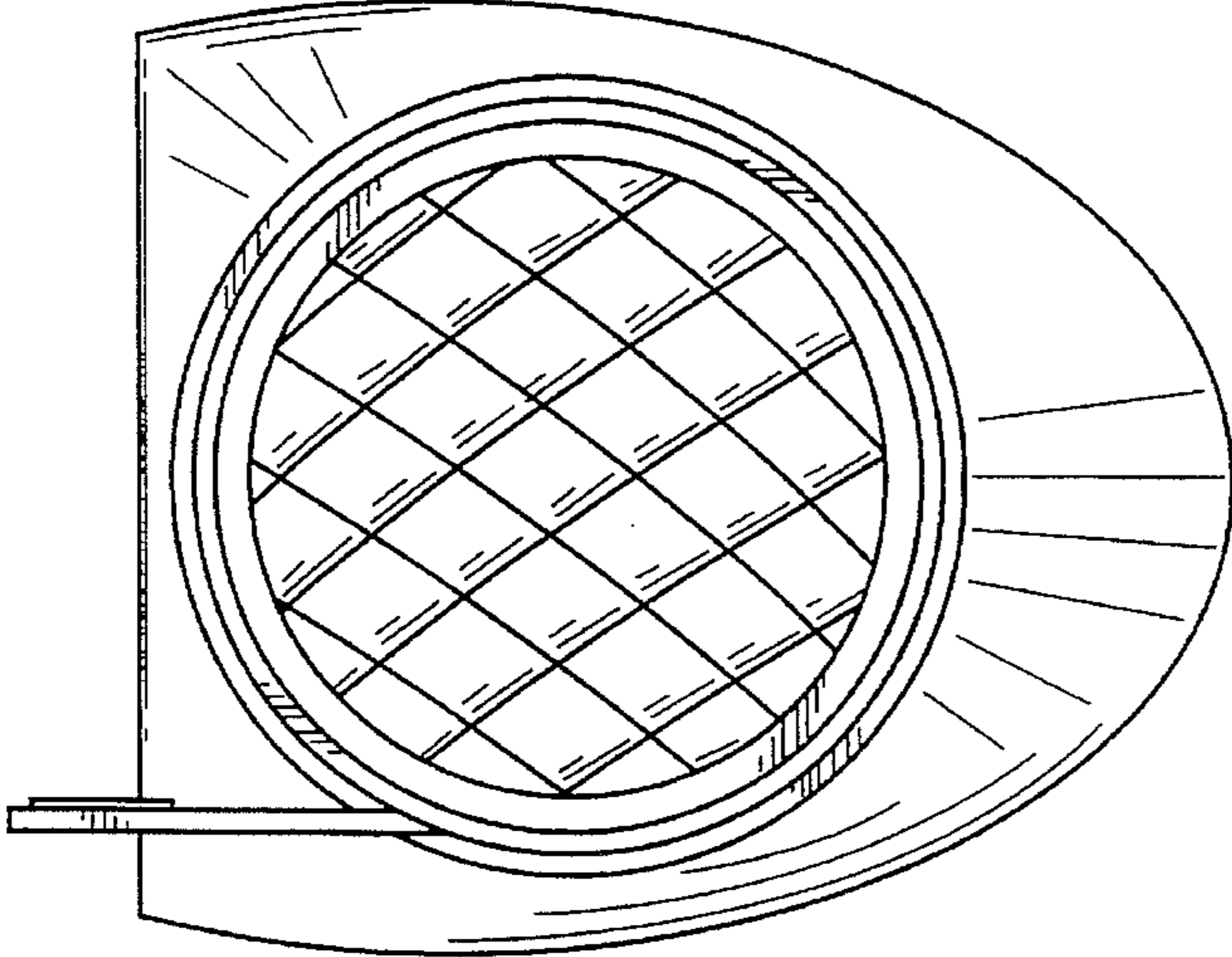


FIG. 3

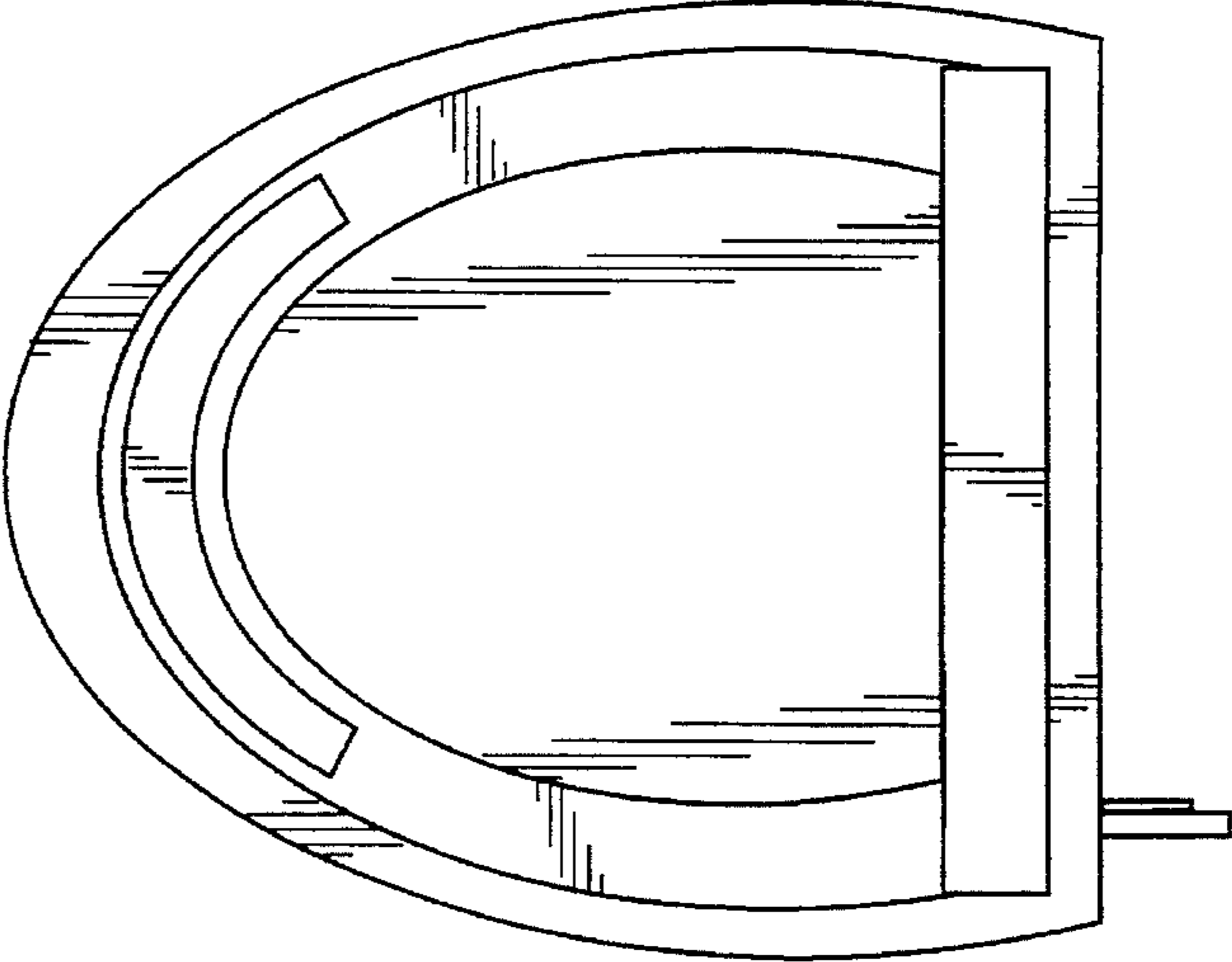


FIG. 4

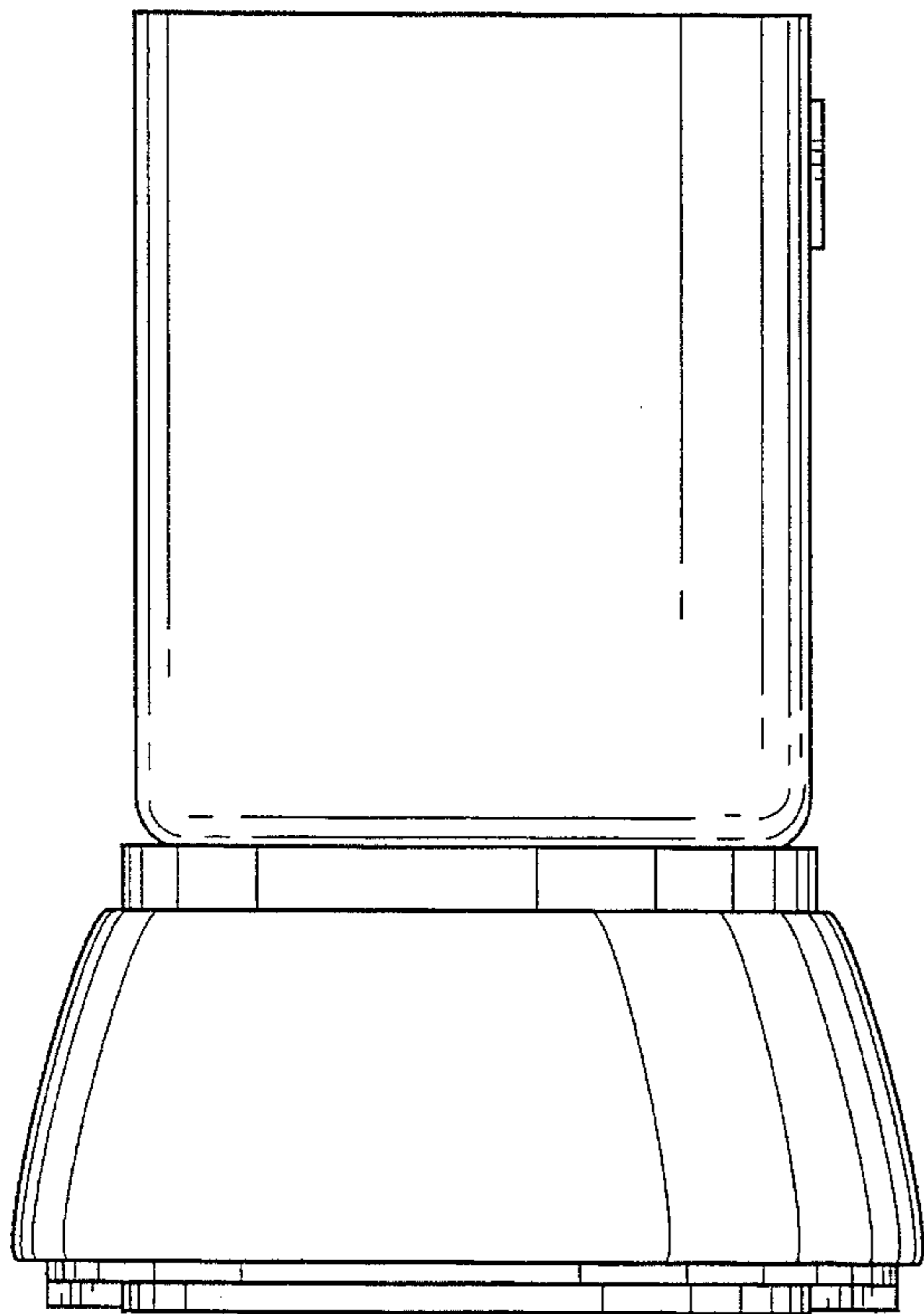


FIG. 5

FIG. 6

