



US00D378107S

United States Patent [19]

Bean

[11] Patent Number: **Des. 378,107**

[45] Date of Patent: ****Feb. 18, 1997**

[54] **ROOF-SHAPED CONSTRUCTION TOY BLOCK**

[75] Inventor: **Sandra Bean**, Notre Dame de l'Ile Perrot, Canada

[73] Assignee: **Ritvik Group, Inc.**, Quebec, Canada

[**] Term: **14 Years**

[21] Appl. No.: **50,063**

[22] Filed: **Feb. 8, 1996**

[30] **Foreign Application Priority Data**

Jan. 1, 1996 [CA] Canada 1996-0091

[52] **U.S. Cl.** **D21/108**

[58] **Field of Search** D21/108, 114; D25/113-118; 446/476, 110, 111, 119, 120, 121, 124, 125, 128; 52/604, 605, 606, 592.1, 592.2, 592.3, 592.6, 314, 311.1, 456

[56] **References Cited**

U.S. PATENT DOCUMENTS

D. 285,223 8/1986 Thomsen D21/108
D. 294,373 2/1988 Bertrand D21/108
D. 295,768 5/1988 Kushner D21/108

D. 352,748 11/1994 Nielsen et al. D21/108
D. 371,811 7/1996 Clark D21/108
1,884,462 10/1932 Willson 52/606
2,931,130 4/1960 Rietz 446/110
4,419,840 12/1983 Pope 446/110
4,941,859 7/1990 Zaruba 446/110

Primary Examiner—Ted Shooman

Assistant Examiner—R. Barkai

Attorney, Agent, or Firm—Michael D. Bednarek; Kilpatrick & Cody

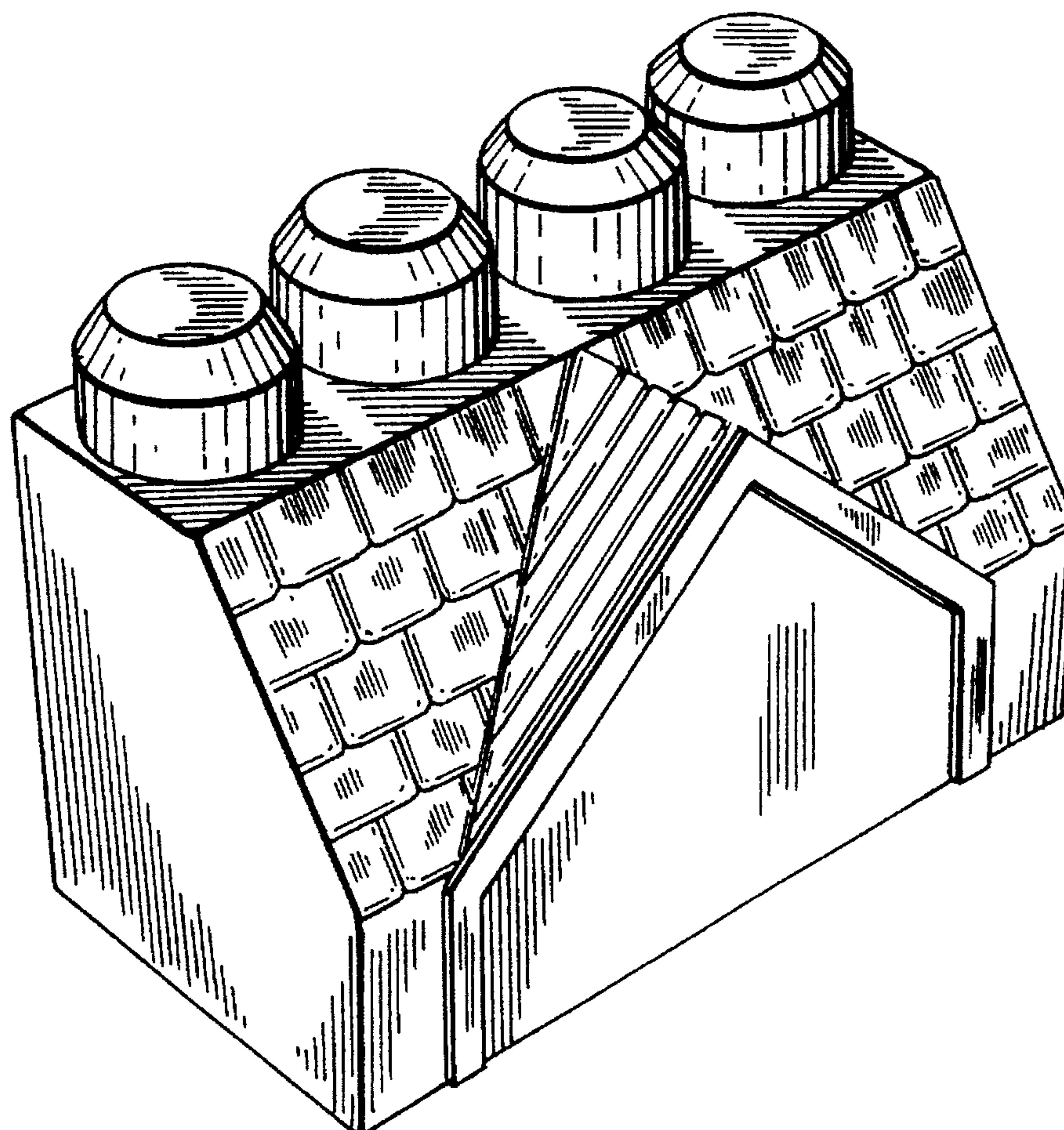
[57] **CLAIM**

The ornamental design for a roof-shaped construction toy block, as shown and described.

DESCRIPTION

FIG. 1 is a front perspective view of a roof-shaped construction toy block showing my new design; FIG. 2 is a front elevational view thereof; FIG. 3 is a rear elevational view thereof; FIG. 4 is a right side elevational view thereof, the left side view being a mirror copy of this view; FIG. 5 is a top plan view thereof; and, FIG. 6 is a bottom plan view thereof.

1 Claim, 3 Drawing Sheets



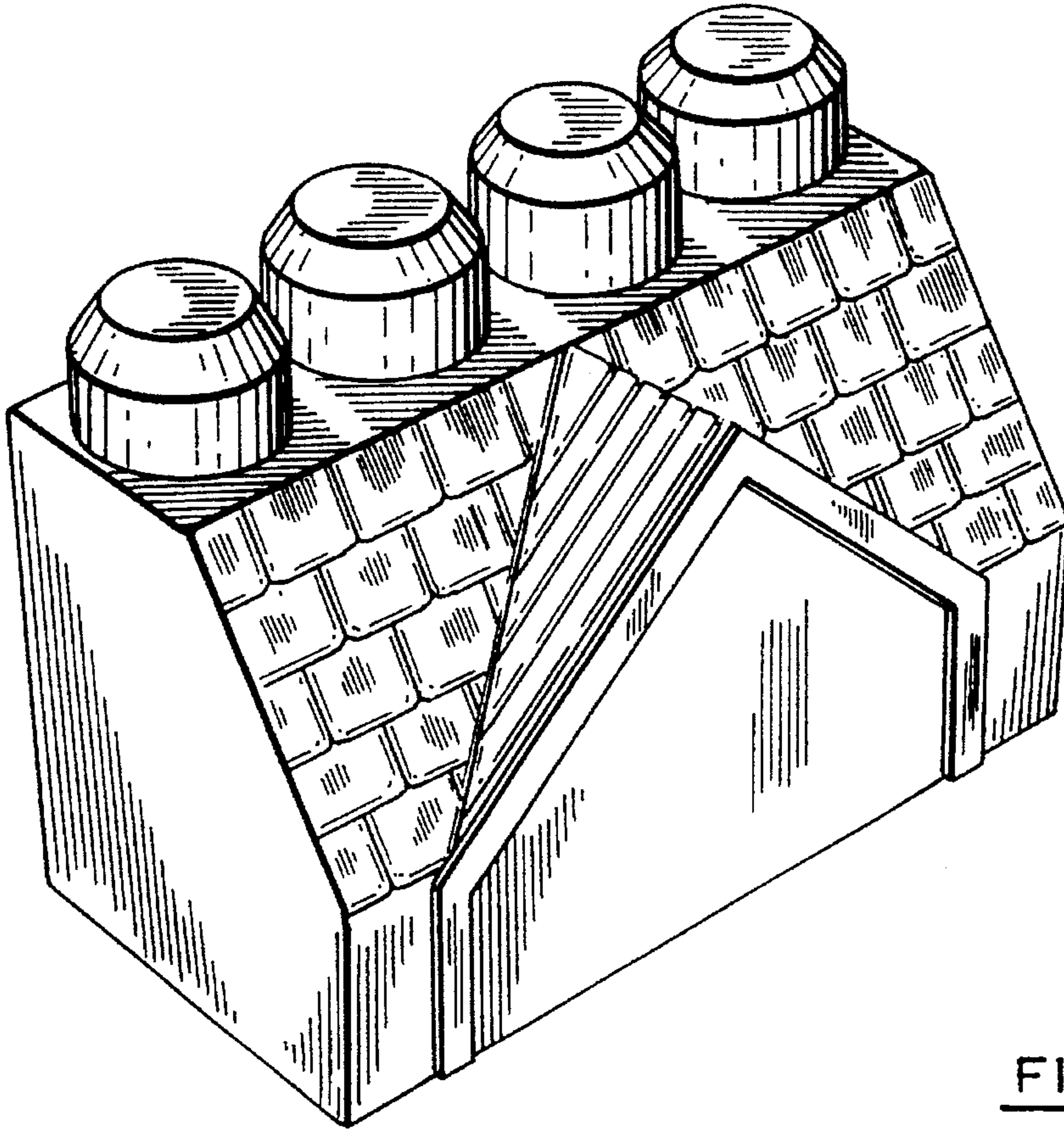


FIG. 1

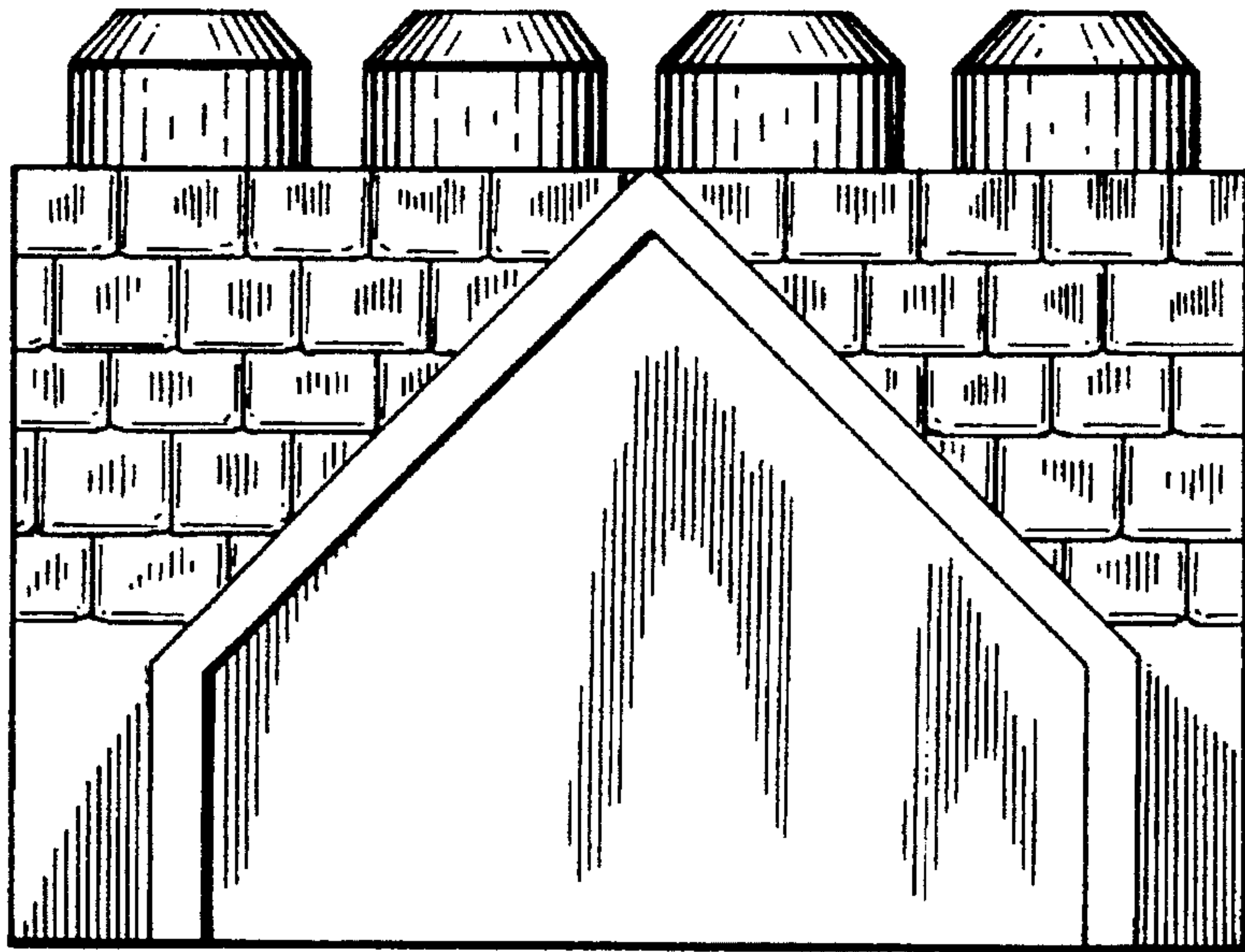


FIG. 2

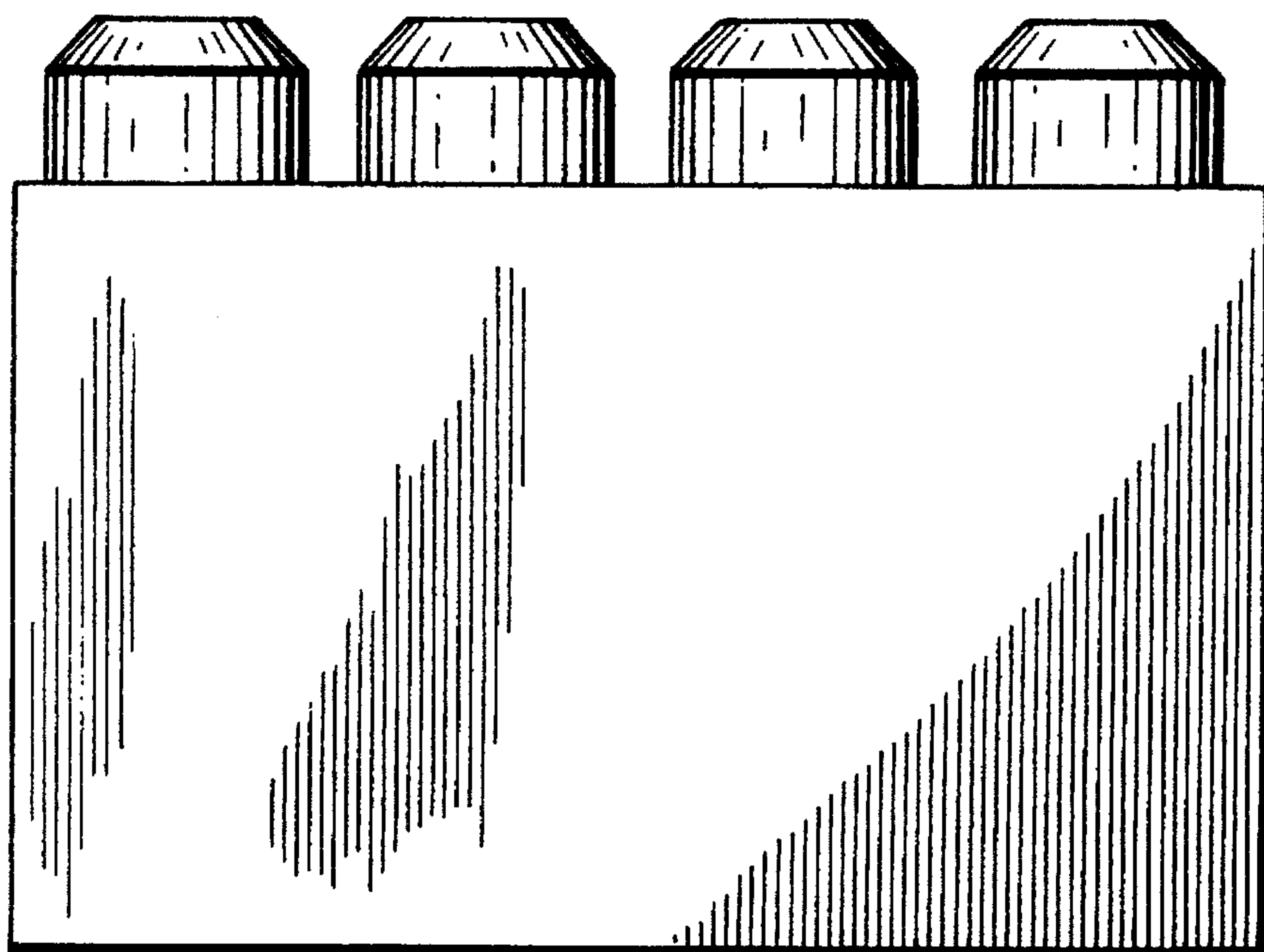


FIG. 3

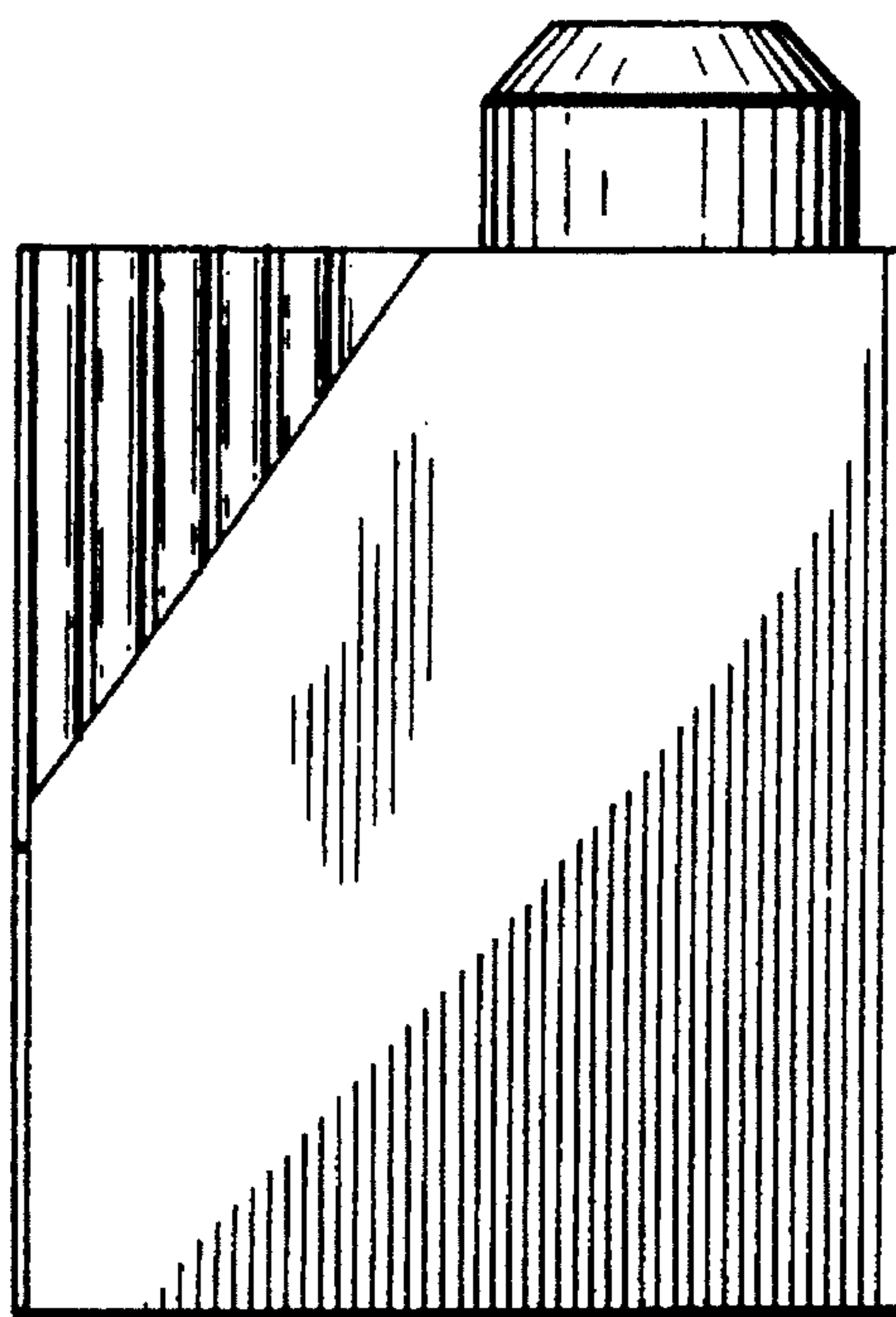


FIG. 4

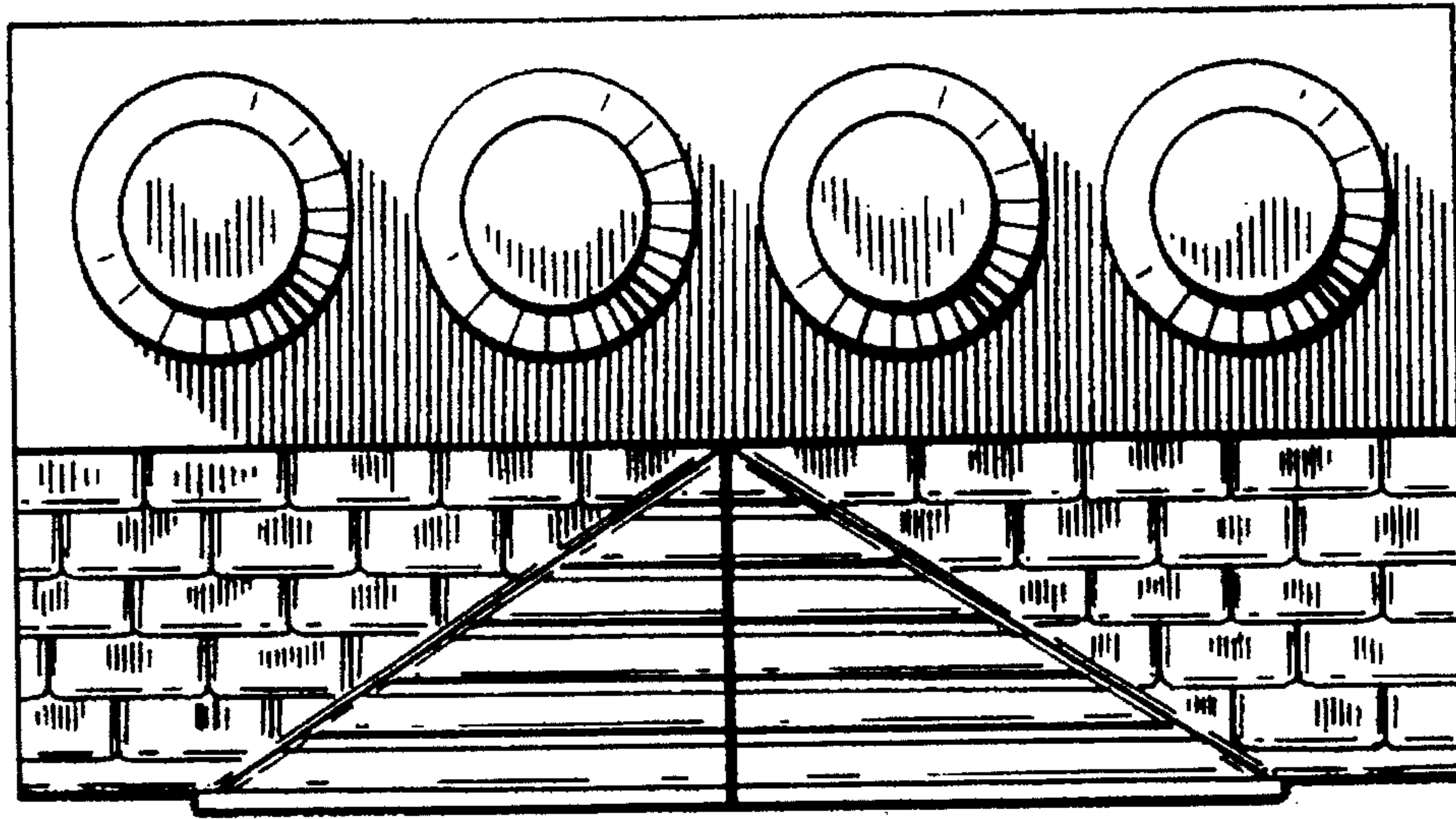


FIG. 5

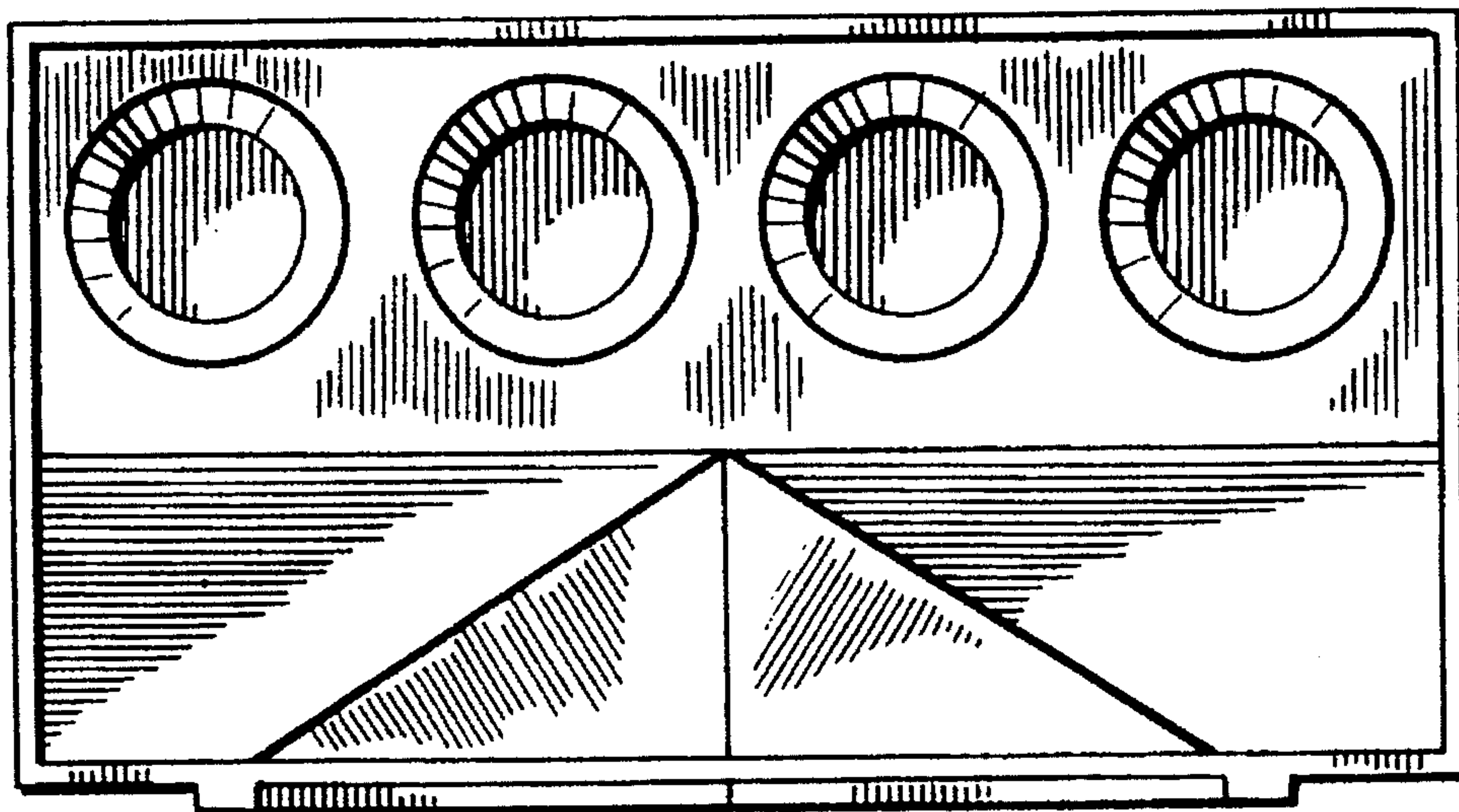


FIG. 6